

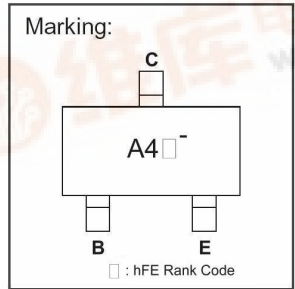
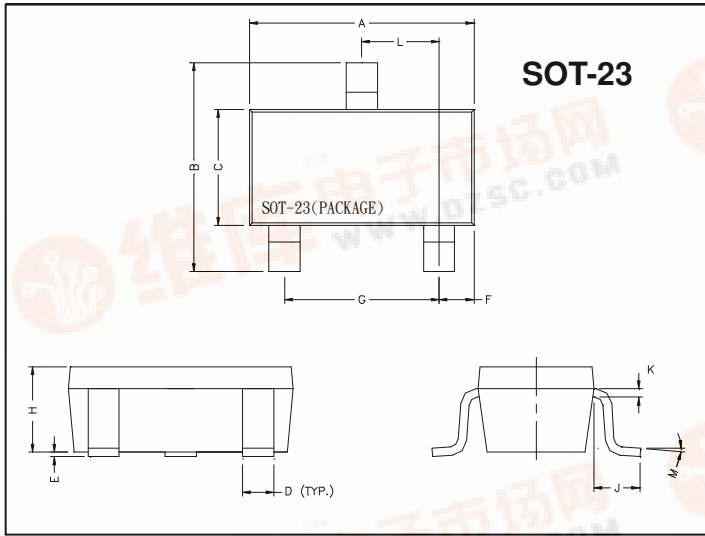
GTM CORPORATION

GMBT1015 PNP EPITAXIAL PLANAR TRANSISTOR

Description

The GMBT1015 is designed for use in driver stage of AF amplifier and general purpose amplification.

Package Dimensions



| REF. | Millimeter | | REF. | Millimeter | |
|------|------------|------|------|------------|------|
| | Min. | Max. | | Min. | Max. |
| A | 2.70 | 3.10 | G | 1.90 | REF. |
| B | 2.40 | 2.80 | H | 1.00 | 1.30 |
| C | 1.40 | 1.60 | K | 0.10 | 0.20 |
| D | 0.35 | 0.50 | J | 0.40 | - |
| E | 0 | 0.10 | L | 0.85 | 1.15 |
| F | 0.45 | 0.55 | M | 0° | 10° |

Absolute Maximum Ratings at Ta = 25°C

| Parameter | Symbol | Ratings | Unit |
|------------------------------|--------|----------|------|
| Junction Temperature | Tj | +150 | °C |
| Storage Temperature | Tstg | -55~+150 | °C |
| Collector to Base Voltage | VCBO | -50 | V |
| Collector to Emitter Voltage | VCEO | -50 | V |
| Emitter to Base Voltage | VEBO | -5 | V |
| Collector Current | IC | -150 | mA |
| Total Power Dissipation | PD | 225 | mW |

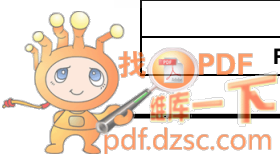
Characteristics at Ta = 25°C

| Symbol | Min. | Typ. | Max. | Unit | Test Conditions |
|----------|------|------|------|------|-----------------------------|
| BVCBO | -50 | - | - | V | IC=-100uA |
| BVCEO | -50 | - | - | V | IC=-1mA |
| BVEBO | -5 | - | - | V | IE=-10uA |
| ICBO | - | - | -100 | nA | VCB=-50V |
| IEBO | - | - | -100 | nA | VEB=-5V |
| VCE(sat) | - | - | -300 | mV | IC=-100mA, IB=-10mA |
| VBE(sat) | - | - | -1.1 | V | IC=-100mA, IB=-10mA |
| hFE1 | 120 | - | 700 | | VCE=-6V, IC=-2mA |
| hFE2 | 25 | - | - | | VCE=-6V, IC=-150mA |
| fT | 80 | - | - | MHz | VCE=-10V, IC=-1mA, f=100MHz |
| Cob | - | - | 7 | pF | VCB=-10V, f=1MHz, IE=0 |

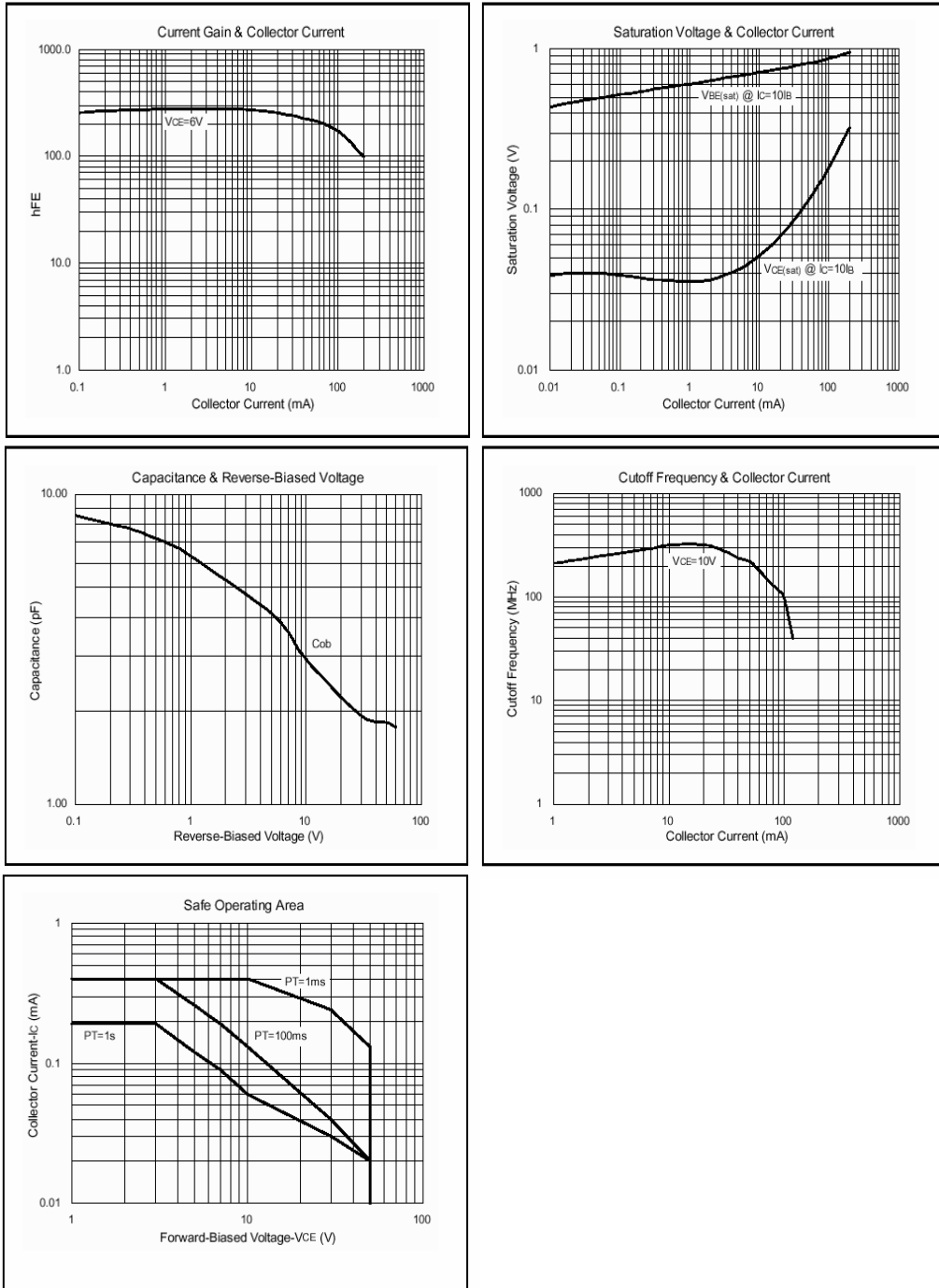
*Pulse Test: Pulse width ≤380us, Duty cycle ≤ 2%

Classification Of hFE1

| Rank | A4Y | A4G | A4B |
|-------|---------|---------|---------|
| Range | 120-140 | 200-400 | 350-700 |



Characteristics Curve



Important Notice:

- All rights are reserved. Reproduction in whole or in part is prohibited without the prior written approval of GTM.
- GTM reserves the right to make changes to its products without notice.
- GTM semiconductor products are not warranted to be suitable for use in life-support Applications, or systems.
- GTM assumes no liability for any consequence of customer product design, infringement of patents, or application assistance.

Head Office And Factory:

• **Taiwan:** No. 17-1 Tatung Rd. Fu Kou Hsin-Chu Industrial Park, Hsin-Chu, Taiwan, R. O. C.
 TEL : 886-3-597-7061 FAX : 886-3-597-9220, 597-0785
 • **China:** (201203) No.255, Jang-Jiang Tsai-Lueng RD. , Pu-Dung-Hsin District, Shang-Hai City, China
 TEL : 86-21-5895-7671 FAX : 86-21-38950165