

Multi - Output Regulators

Features:

- Multi-Output 3.3, 5.1, 8.0, 9.0, 12V
- Output Current 0.5A & 1A
- Over Voltage Protection, Short Circuit Protection and Thermal Shutdown
- Current Limit Protection on each Output
- Enable/Disable Function by TTL for Vout 2 and Vout3
- Reset Facility for Vout1
- Control Signal Generator for Vout 3

Application:

CRT TV, LCD TV, LCD Panel, Charger, Motherboard, Multi-Output Power Application

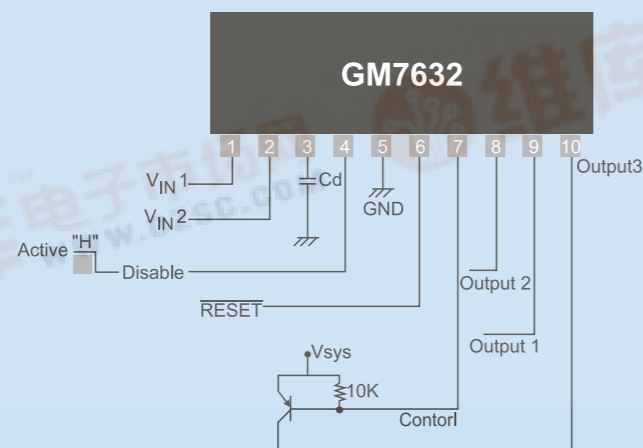
Part No.	Output Current (I _o)	Output Voltage (V)	Max. V _{IN} (V)	Package
GM7630	0.5A	5.1	20	10-SIP H/S
	0.5A	8.0		
	1.0A	12		
GM7631	0.5A	5.1	20	10-SIP H/S
	0.5A	9.0		
	1.0A	12		
GM7632	0.5A	3.3	20	10-SIP H/S
	0.5A	8.0		
	1.0A	5.1		

GM7632 Fixed Multi - Output Regulators

Features:

- Output Currents up to 0.5A (output 1 & 2)
- Output Current up to 1A with External Transistor (output 3)
- Fixed Precision Output 1 Voltage 3.3V ± 2%
- Fixed Precision Output 2 Voltage 8V ± 2%
- Control Signal Generator for Output 3 voltage (5.1V ± 2%)
- Reset Facility for Output Voltage1
- Outputs 2 and 3 With Disable by TTL Input
- Current Limit Protection at Each Output
- Thermal Shut Down

Typical Application Circuit



Linear Regulator Selection by Output Current

Output Current (I _o)	Part No.	Max. V _{IN} (V)	Dropout Voltage Typ. (V)	Output Voltage (V)	Package
100mA	GM78L00 series	40	1.7V	5.0,6.0,8.0,9.0,10,12,15,18,24	SOP-8, SOT-89, TO-92
150mA	GM6155	2.5 to 16	110mV @ 50mA	Adj.,2.5,2.7,2.8,2.9,3.0,3.3,3.6,4.0,4.2,5.0	SOT-25
150mA	GM6156	2.5 to 16	110mV @ 50mA	Adj.,2.5,2.7,2.8,3.0,3.3,3.6,4.0,5.0	SOT-25
250mA	GM6250	12	380mV @ 200mA	1.5,1.8,2.5,2.7,2.8,2.85,3.0,3.2,3.3,3.5,3.6,4.0,4.4,4.5	SOT-23, SOT-92, TO-92
250mA	GM6251	12	380mV @ 200mA	1.8,2.5,2.7,2.8,3.0,3.2,3.3,3.5,3.6,4.0,4.4,4.5,5.0	SOT-25, SOT-89, TO-92
300mA	GM6350	6.5	300mV @ 300mA	1.5,1.8,2.5,3.0,3.3,5.0	SOT-89
1A	GM1117	7	1.15V @ 1A	Adj.,1.5,1.8,2.5,2.85,3.0,3.3,5.0	SOT-223, SOT-252-3, TO-263-2 TO-220
1A	GM66102	26	300mV @ 1A	1.5,1.8,2.5,3.3,5.0,12	SOT-223, SOT-252-3, TO-263-2 TO-220
1A	GM78R33	26	500mV @ 1A	3.3	TO-220F-4L
1A	GM78R05	26	500mV @ 1A	5.0	TO-220F-4L
1A	GM78R09	26	500mV @ 1A	9.0	TO-220F-4L
1A	GM78R12	26	500mV @ 1A	12	TO-220F-4L
1A	GM78R33A	35	500mV @ 1A	3.3	TO-220F-4L
1A	GM78R05A	35	500mV @ 1A	5.0	TO-220F-4L
1A	GM78R09A	35	500mV @ 1A	9.0	TO-220F-4L
1A	GM78R12A	35	500mV @ 1A	12	TO-220F-4L
1.5A	GM7800 series	35-40	2V @ 1A	5.0,6.0,8.0,9.0,10,12,24, 27	TO-252-3, TO-263-2, TO-220
1.5A	GM66150	26	350mV @ 1.5A	1.5,1.8,2.5,3.0,3.3,5.0,12	SOT-223, TO-252-3, TO-263-2, TO-220, TO-220-5
1.5A	GM66151	26	350mV @ 1.5A	1.5,1.8,2.5,3.0,3.3,5.0,12	TO-263-5, TO-220-5
1.5A	GM66152	26	350mV @ 1.5A	Adj.	TO-263-5, TO-220-5
1.5A	GM66153	26	350mV @ 1.5A	Adj.	TO-263-5, TO-220-5
3A	GM6603	7	1.15V @ 3.0A	Adj.,1.5, 1.8,2.5,2.85,3.0,3.3,5.0	SOP-8, DIP-8
3A	GM66300	2.5 to 16	500mV @ 3A	1.8,2.5	TO-263-5, TO-220, TO-263-2
3A	GM66301	2.5 to 16	500mV @ 3A	1.8,2.5	TO-263-5, TO-220-5, TO-263-2
5A	GM6605	7	1.15V @ 5.0A	Adj.,1.8,2.5,3.3,5.0	TO-252-3, TO-263-2, TO-220
5A	GM66500	2.25 to 16	400mV @ 5A	1.8,2.5,3.3,5.0	TO-263-2, TO-220, TO-263-5
5A	GM66501	2.25 to 16	400mV @ 5A	1.8,2.5,3.3,5.0	TO-263-2, TO-220-5, TO-263-5