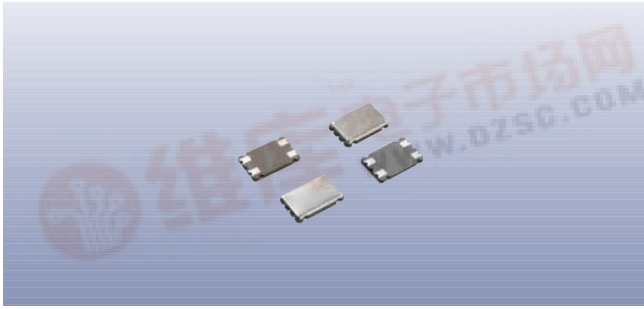


SM Monolithic Filter



Features

- ▶ Miniature SM package
- ▶ Frequencies up to 70.0MHz available
- ▶ Custom specifications available

Ordering Information

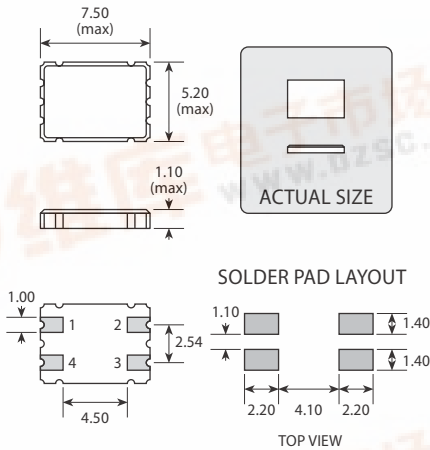
Product name + model number

eg: **GSF-71 21S15A**

GSF-71 21S30B

Option code X (eg GSF-71/X) denotes a custom spec.

- ◆ Available on T&R - 1k pcs per reel.
- ◆ Refer to our website for T&R and soldering details.



PAD	CONNECTION
1	In / Out
2	Ground
3	Out / In
4	Ground

Scale 2:1

21.4MHz Standard Specifications

Model Number	Centre Frequency (MHz)	Number of Poles	Pass Band (dB @ kHz)	Attenuation Band (dB @ kHz)	In-Band Ripple (dB)	Insertion Loss (dB)	Guaranteed Attenuation (dB @ kHz)	Termination (Ω // pF)	Operating Temperature Range ($^{\circ}\text{C}$)	No of Units
21S7A	21.400	2	3 \pm 3.75	18 \pm 18.0	1.0	1.5	50 -910 \pm 10	850 // 6.0	-20 to +60	1
21S7B	21.400	4	3 \pm 3.75	35 \pm 14.0	1.0	2.5	80 -910 \pm 10	850 // 3.5 ($C_c=15.0\text{pF}$)	-20 to +60	2
21S12A	21.400	2	3 \pm 6.0	18 \pm 25.0	1.0	1.5	50 -910 \pm 10	1200 // 3.0	-20 to +60	1
21S12B	21.400	4	3 \pm 6.0	35 \pm 20.0	1.0	2.5	80 -910 \pm 10	1200 // 1.5 ($C_c=7.5\text{pF}$)	-20 to +60	2
21S15A	21.400	2	3 \pm 7.5	15 \pm 25.0	1.0	1.5	50 -910 \pm 10	1500 // 2.0	-20 to +60	1
21S15B	21.400	4	3 \pm 7.5	35 \pm 25.0	1.0	2.5	80 -910 \pm 10	1500 // 0.5 ($C_c=5.0\text{pF}$)	-20 to +60	2
21S20A	21.400	2	3 \pm 10.0	15 \pm 34.0	1.0	2.0	50 -910 \pm 10	1800 // 0.5	-20 to +60	1
21S20B	21.400	4	3 \pm 10.0	35 \pm 34.0	1.0	2.5	80 -910 \pm 10	1800 // -1.0 ($C_c=3.0\text{pF}$)	-20 to +60	2
21S30A	21.400	2	3 \pm 15.0	15 \pm 45.0	1.0	1.5	50 -910 \pm 10	3000 // 0.0	-20 to +60	1
21S30B	21.400	4	3 \pm 15.0	35 \pm 50.0	1.0	2.5	80 -910 \pm 10	3000 // -1.5 ($C_c=3.0\text{pF}$)	-20 to +60	2

4-pole models are supplied as two matched units.

