

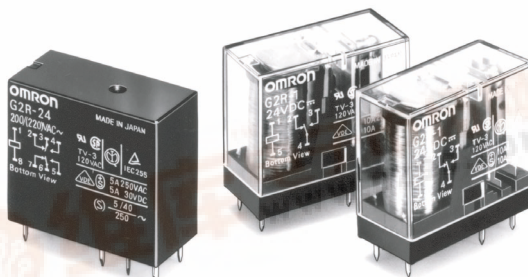


# PCB Relay

# G2R

## A Power Relay for a Variety of Purposes with Various Models

- Conforms to VDE0435 (VDE approval: C250 insulation grade), UL508, CSA22.2, SEV, SEMKO.
- Meets VDE0700 requirements for household products according to VDE0110.
- Clearance and creepage distance: 8 mm/8 m.
- Models with CTI250 material available.
- High-sensitivity (360 mW) and high-capacity (16 A) types available.
- Double-winding latching type available.
- Plug-in with test button and quick-connect terminals available.
- Highly functional socket available.



## Ordering Information

Classification		Enclosure ratings	Coil ratings	Contact form				
				SPST-NO	SPDT	DPST-NO	DPDT	
PCB terminal	General-purpose	Flux protection	AC/DC	G2R-1A	G2R-1	G2R-2A	G2R-2	
		Fully sealed		G2R-1A4	G2R-14	G2R-2A4	G2R-24	
	Bifurcated contact	Flux protection	DC	G2R-1AZ	G2R-1Z	---	---	
		Fully sealed		G2R-1AZ4	G2R-1Z4	---	---	
	High-capacity	Flux protection	AC/DC	G2R-1A-E	G2R-1-E	---	---	
High-sensitivity	Flux protection	DC	G2R-1A-H	G2R-1-H	G2R-2A-H	G2R-2-H		
Double-winding latching	Flux protection		G2RK-1A	G2RK-1	G2RK-2A	G2RK-2		
Plug-in terminal	General-purpose	Unsealed	AC/DC	---	G2R-1-S	---	G2R-2-S	
				LED indicator	---	G2R-1-SN	---	G2R-2-SN
				LED indicator with test button	---	G2R-1-SNI	---	G2R-2-SNI
	Diode		DC	---	G2R-1-SD	---	G2R-2-SD	
				LED indicator and diode	---	G2R-1-SND	---	G2R-2-SND
				LED indicator and diode with test button	---	G2R-1-SNDI	---	G2R-2-SNDI
Plug-in terminal (Bifurcated crossbar contact)	General-purpose	AC/DC	G2R-1A3-S	G2R-13-S	---	---		
			LED indicator	G2R-1A3-SN	G2R-13-SN	---	---	
			LED indicator and diode	G2R-1A3-SND	G2R-13-SND	---	---	

- Note:**
1. When ordering, add the rated coil voltage to the model number.  
Example: G2R-1A 12 VDC  
Rated coil voltage
  2. OMRON has also prepared the above relays with AgSnIn contacts, which are more tolerant of large inrush currents and physical movement compared with relays with standard contacts. When ordering, add "-ASI" to the model number.  
Example: G2R-1A-ASI
  3. Standard, NO contact type relays are TV-3 class products in accordance with the TV standards of the UL/CSA. Models with AgSnIn contacts are TV-5 class products.  
Example: G2R-1A-ASI  
When ordering a TV-8 class model, insert "-TV8" into the model number as follows:  
Example: G2R-1A-TV8-ASI
  4. Models with CTI250 material are also available.  
Contact your OMRON representative for more details.



## Model Number Legend

G2R □ - □ □ □ □ - □ □ □ □ - □ □ □ VDC  
 1 2 3 4 5 6 7 8 9 10

### 1. Relay Function

None: Single-side stable

K: Double-winding latching.

### 2. Number of Poles

1: 1 pole

2: 2 poles

### 3. Contact Form

None: □PDT

A: □PST-NO

### 4. Contact Type

None: Single

Z: Bifurcated

3: Bifurcated crossbar

### 5. Enclosure Ratings

None: Flux protection

4: Fully sealed

### 6. Terminals

None: Straight PCB

S: Plug-in

T: Quick-connect (upper bracket mounting)

### 7. Classification

None: General-purpose

E: High-capacity

H: High-sensitivity

N: LED indicator

D: Diode

ND: LED indicator and diode

### 8. Test button

I: Test button

**Note:** Applied for only SN and SND type

### 9. Contact Material

None: AgCdO

ASI: AgSnIn

### 10. Rated Coil Voltage

Refer to *Coil Ratings*.

## ■ Accessories (Order Separately)

### Connecting Sockets

Number of poles	Applicable Relay model	Track/surface-mounting Socket	Back-mounting Socket	
			Terminals	Model
1 pole	G2R-1-S(N)(D)(ND)(NI)(NDI)G2R-13-S (G2R-1A3-S)	P2RF-05-E P2RF-05	PCB terminals	P2R-05P, P2R-057P
			Solder terminals	P2R-05A
2 poles	G2R-2-S(N)(D)(ND)(NI)(NDI)	P2RF-08-E P2RF-08	PCB terminals	P2R-08P, P2R-087P
			Solder terminals	P2R-08A

**Note:** See *Dimensions* for details on socket size.

### Mounting Track

Applicable socket	Description	Model
Track connecting socket	Mounting track	50 cm (⌀) x 7.3 mm (t): PFP-50N 1 m (⌀) x 7.3 mm (t): PFP-100N 1 m (⌀) x 16 mm (t): PFP-100N2
	End plate	PFP-M
	Spacer	PFP-S
Back connecting socket	Mounting plate	P2R-P*

\*Used to mount several P2R-05A and P2R-08A connecting sockets side by side.

# Specifications

## ■ Coil Ratings

Rated voltage		12 VAC	24 VAC	100/ (110) VAC	120 VAC	200/ (220) VAC	220 VAC	230 VAC	240 VAC
Rated current	50 Hz	93 mA	46.5 mA	11 mA	9.3 mA	5.5 (4.0) mA	5.1 mA	4.7 (3.7) mA	4.7 mA
	60 Hz	75 mA	37.5 mA	9/ (10.6) mA	7.5 mA	4.5 (5.3) mA	4.1 mA	3.8 (3.1) mA	3.8 mA
Coil resistance		65 Ω	260 Ω	4,600 Ω	6,500 Ω	20,200 (25,000) Ω	25,000 Ω	26,850 (30,000) Ω	30,000 Ω
Coil inductance (H) (ref. value)	Armature OFF	0.19	0.81	13.34	21	51.3	57.5	62	65.5
	Armature ON	0.39	1.55	26.84	42	102	117	124	131
Must operate voltage		80% max. of rated voltage							
Must release voltage		30% min. of rated voltage							
Max. voltage		140% of rated voltage (at 23°C)							
Power consumption		Approx. 0.9 VA at 60 Hz (approx. 0.7 VA at 60 Hz)							

- Note:**
1. Rated voltage of bifurcated crossbar contact type: 100/(110) VAC, 200/(220) VAC, 230 VAC (Approx. 0.7 VA at 60 Hz)
  2. Depending on the type of Relay, some Relays do not have coil specifications. Contact your OMRON representative for more details.

Rated voltage		5 VDC	6 VDC	12 VDC	24 VDC	48 VDC	100 VDC
Rated current (50/60 Hz)		106 mA	88.2 mA	43.6 mA	21.8 mA	11.5 mA	5.3 mA
Coil resistance		47 Ω	68 Ω	275 Ω	1,100 Ω	4,170 Ω	18,860 Ω
Coil inductance (H) (ref. value)	Armature OFF	0.20	0.28	1.15	4.27	13.86	67.2
	Armature ON	0.39	0.55	2.29	8.55	27.71	93.2
Must operate voltage		70% max. of rated voltage					
Must release voltage		15% min. of rated voltage					
Max. voltage		170% of rated voltage (at 23°C)					
Power consumption		Approx. 0.53 W					

- Note:** Rated voltage of bifurcated crossbar contact type: 12 VDC, 24 VDC

## High-sensitivity Relays

Rated voltage		5 VDC	6 VDC	12 VDC	24 VDC	48 VDC
Rated current (50/60 Hz) (see note 1.)		71.4 mA	60 mA	30 mA	15 mA	7.5 mA
Coil resistance (see note 1.)		70 Ω	100 Ω	400 Ω	1,600 Ω	6,400 Ω
Coil inductance (H) (ref. value)	Armature OFF	0.37	0.53	2.14	7.80	31.20
	Armature ON	0.75	1.07	4.27	15.60	62.40
Must operate voltage		70% max. of rated voltage				
Must release voltage		15% min. of rated voltage				
Max. voltage		170% of rated voltage (at 23°C)				
Power consumption		Approx. 0.36 W				

- Note:**
1. The rated current and coil resistance are measured at a coil temperature of 23°C with a tolerance of  $+15\%/-20\%$  (AC rated current) or  $\pm 10\%$  (DC coil resistance).
  2. LEDs are used for the built-in operation indicator. For models equipped with these indications, the VAC rated current must be increased by approximately 1 mA; the VDC rated current, by approximately 4 mA.
  3. Operating characteristics are measured at a coil temperature of 23°C.

### Double-winding Latching Relays

Rated voltage		5 VDC	6 VDC	12 VDC	24 VDC
Set coil	Rated current (see note 1.)	167 mA	138 mA	70.6 mA	34.6 mA
	Coil resistance (see note 1.)	30 Ω	43.5 Ω	170 Ω	694 Ω
	Coil inductance (H) (ref. value)	Armature OFF	0.073	0.104	0.42
Armature ON		0.146	0.208	0.83	3.43
Reset coil	Rated current	119 mA	100 mA	50 mA	25 mA
	Coil resistance	42 Ω	60 Ω	240 Ω	960 Ω
	Coil inductance (H) (ref. value)	Armature OFF	0.003	0.005	0.018
Armature ON		0.006	0.009	0.036	0.148
Must set voltage		70% max. of rated voltage			
Must reset voltage		70% max. of rated voltage			
Max. voltage		140% of rated voltage (at 23°C)			
Power consumption		Set coil: Approx. 850 mW; Reset coil: Approx. 600 mW			

**Note:** 1. The rated current and coil resistance are measured at a coil temperature of 23°C with a tolerance of ±10%.  
2. Operating characteristics are measured at a coil temperature of 23°C.

### ■ Contact Ratings

#### PCB/Flux Protection, Plug-in, Quick-connect Terminal Relays

Item	General-purpose, quick-connect terminal				High-capacity	
	1 pole		2 poles		1 pole	
Load	Resistive load (cosφ = 1)	Inductive load (cosφ = 0.4; L/R = 7 ms)	Resistive load (cosφ = 1)	Inductive load (cosφ = 0.4; L/R = 7 ms)	Resistive load (cosφ = 1)	Inductive load (cosφ = 0.4; L/R = 7 ms)
Rated load	10 (1) A at 250 VAC; 10 (1) A at 30 VDC	7.5 A at 250 VAC; 5 A at 30 VDC	5 A at 250 VAC; 5 A at 30 VDC	2 A at 250 VAC; 3 A at 30 VDC	16 A at 250 VAC; 16 A at 30 VDC	8 A at 250 VAC; 8 A at 30 VDC
Rated carry current	10 (1) A		5 A		16 A	
Max. switching voltage	380 VAC, 125 VDC		380 VAC, 125 VDC		380 VAC, 125 VDC	
Max. switching current	10 (1) A		5 A		16 A	
Max. switching power	2,500 (250) VA, 300 (30) W	1,875 VA, 150 W	1,250 VA, 150 W	500 VA, 90 W	4,000 VA, 480 W	2,000 VA, 240 W
Failure rate (reference value)	100 mA at 5 VDC (1 mA at 5 VDC)		10 mA at 5 VDC		100 mA at 5 VDC	

**Note:** 1. P level:  $\lambda_{60} = 0.1 \times 10^{-6}$ /operation  
2. ( ): Bifurcated crossbar contact type.

#### PCB/Flux Protection Relays

Item	Bifurcated contacts		High-sensitivity			
	1 pole		1 pole		2 poles	
Load	Resistive load (cosφ = 1)	Inductive load (cosφ = 0.4; L/R = 7 ms)	Resistive load (cosφ = 1)	Inductive load (cosφ = 0.4; L/R = 7 ms)	Resistive load (cosφ = 1)	Inductive load (cosφ = 0.4; L/R = 7 ms)
Rated load	5 A at 250 VAC; 5 A at 30 VDC	2 A at 250 VAC; 3 A at 30 VDC	5 A at 250 VAC; 5 A at 30 VDC	2 A at 250 VAC; 3 A at 30 VDC	3 A at 250 VAC; 3 A at 30 VDC	1 A at 250 VAC; 1.5 A at 30 VDC
Rated carry current	5 A		5 A		3 A	
Max. switching voltage	380 VAC, 125 VDC		380 VAC, 125 VDC		380 VAC, 125 VDC	
Max. switching current	5 A		5 A		3 A	
Max. switching power	1,250 VA, 150 W	500 VA, 90 W	1,250 VA, 150 W	500 VA, 90 W	750 VA, 90 W	250 VA, 45 W
Failure rate (reference value)	1 mA at 5 VDC		100 mA at 5 VDC		10 mA at 5 VDC	

**Note:** P level:  $\lambda_{60} = 0.1 \times 10^{-6}$ /operation

## PCB/Fully sealed Relays

Item	General-purpose (single contact)				Bifurcated contact	
	1 pole		2 poles		1 pole	
Load	Resistive load ( $\cos\phi = 1$ )	Inductive load ( $\cos\phi = 0.4$ ; L/R = 7 ms)	Resistive load ( $\cos\phi = 1$ )	Inductive load ( $\cos\phi = 0.4$ ; L/R = 7 ms)	Resistive load ( $\cos\phi = 1$ )	Inductive load ( $\cos\phi = 0.4$ ; L/R = 7 ms)
Rated load	8 A at 250 VAC; 8 A at 30 VDC	6 A at 250 VAC; 4 A at 30 VDC	4 A at 250 VAC; 4 A at 30 VDC	1.5 A at 250 VAC; 2.5 A at 30 VDC	5 A at 250 VAC; 5 A at 30 VDC	2 A at 250 VAC; 3 A at 30 VDC
Rated carry current	8 A		4 A		5 A	
Max. switching voltage	380 VAC, 125 VDC		380 VAC, 125 VDC		380 VAC, 125 VDC	
Max. switching current	8 A		4 A		5 A	
Max. switching power	2,000 VA, 240 W	1,500 VA, 120 W	1,000 VA, 120 W	375 VA, 75 W	1,250 VA, 150 W	500 VA, 90 W
Failure rate (reference value)	100 mA at 5 VDC		10 mA at 5 VDC		1 mA at 5 VDC	

Note: P level:  $\lambda_{60} = 0.1 \times 10^{-6}/\text{operation}$

## Latching Relays

Number of poles	1 pole		2 poles	
	Resistive load ( $\cos\phi = 1$ )	Inductive load ( $\cos\phi = 0.4$ ; L/R = 7 ms)	Resistive load ( $\cos\phi = 1$ )	Inductive load ( $\cos\phi = 0.4$ ; L/R = 7 ms)
Rated load	5 A at 250 VAC; 5 A at 30 VDC	3.5 A at 250 VAC; 2.5 A at 30 VDC	3 A at 250 VAC; 3 A at 30 VDC	1.5 A at 250 VAC; 2 A at 30 VDC
Rated carry current	5 A		3 A	
Max. switching voltage	380 VAC, 125 VDC		380 VAC, 125 VDC	
Max. switching current	5 A		3 A	
Max. switching power	1,250 VA, 150 W	875 VA, 75 W	750 VA, 90 W	375 VA, 60 W
Failure rate (reference value)	100 mA at 5 VDC		10 mA at 5 VDC	

Note: P level:  $\lambda_{60} = 0.1 \times 10^{-6}/\text{operation}$

## ■ Characteristics

### Standard Relays

Item	1 pole	2 poles
Contact resistance	30 m $\Omega$ max. (high-capacity type: 100 m $\Omega$ max.)	50 m $\Omega$ max.
Operate (set) time	15 ms max.	
Release (reset) time	AC: 10 ms max.; DC: 5 ms max. (w/built-in diode: 20 ms max.)	
Max. operating frequency	Mechanical: 18,000 operations/hr Electrical: 1,800 operations/hr (under rated load)	
Insulation resistance	1,000 M $\Omega$ min. (at 500 VDC)	
Dielectric strength	5,000 VAC, 50/60 Hz for 1 min between coil and contacts*; 1,000 VAC, 50/60 Hz for 1 min between contacts of same polarity	5,000 VAC, 50/60 Hz for 1 min between coil and contacts*; 3,000 VAC, 50/60 Hz for 1 min between contacts of different polarity 1,000 VAC, 50/60 Hz for 1 min between contacts of same polarity
Vibration resistance	Destruction: 10 to 55 to 10 Hz, 0.75-mm single amplitude (1.5-mm double amplitude) Malfunction: 10 to 55 to 10 Hz, 0.75-mm single amplitude (1.5-mm double amplitude)	
Shock resistance	Destruction: 1,000 m/s <sup>2</sup> Malfunction: 200 m/s <sup>2</sup> when energized; 100m/s <sup>2</sup> when no energized	
Endurance	Mechanical: AC coil: 10,000,000 operations min.; DC coil: 20,000,000 operations min. (at 18,000 operations/hr) Electrical: 100,000 operations min. (at 1,800 operations/hr under rated load)	
Ambient temperature	Operating: -40°C to 70°C (with no icing)	
Ambient humidity	Operating: 5% to 85%	
Weight	Approx. 17 g (plug-in terminal: approx. 20 g)	

Note: Values in the above table are the initial values.

\*2,000 VAC, 50/60 Hz for 1 minute when the P2R-05A or P2R-08A socket is mounted.

## Double-winding Latching Relays

Item	1 pole	2 poles
Contact resistance	30 mΩ max.	50 mΩ max.
Set time	20 ms max.	
Reset time	20 ms max.	
Min. set/reset signal width	30 ms max.	
Max. operating frequency	Mechanical: 18,000 operations/hr Electrical: 1,800 operations/hr (under rated load)	
Insulation resistance	1,000 MΩ min. (at 500 VDC)	
Dielectric strength	5,000 VAC, 50/60 Hz for 1 min between coil and contacts*; 1,000 VAC, 50/60 Hz for 1 min between contacts of same pole; 1,000 VAC, 50/60 Hz for 1 min between set and reset coil	5,000 VAC, 50/60 Hz for 1 min between coil and contacts*; 3,000 VAC, 50/60 Hz for 1 min between contacts of different poles 1,000 VAC, 50/60 Hz for 1 min between contacts of same pole 1,000 VAC, 50/60 Hz for 1 min between set and reset coil
Vibration resistance	Destruction: 10 to 55 to 10 Hz, 0.75-mm single amplitude (1.5-mm double amplitude) Malfunction: 10 to 55 to 10 Hz, 0.75-mm single amplitude (1.5-mm double amplitude)	
Shock resistance	Destruction: 1,000 m/s <sup>2</sup> (approx. 100G) Malfunction: Set: 500 m/s <sup>2</sup> (approx. 50G); 200m/s <sup>2</sup> (approx. 20G) Reset: 100 m/s <sup>2</sup> (approx. 10G)	
Endurance	Mechanical: 10,000,000 operations min (at 18,000 operations/hr) Electrical: 100,000 operations min. (at 1,800 operations/hr under rated load)	
Ambient temperature	Operating: -40°C to 70°C (with no icing)	
Ambient humidity	Operating: 5% to 85%	
Weight	Approx. 17 g	

**Note:** Values in the above table are the initial values.

\*2,000 VAC, 50/60 Hz for 1 minute when the P2R-05A or P2R-08A socket is mounted.

## ■ Approved Standards

### UL 508 (File No. E41643)

Model	Contact form	Coil ratings	Contact ratings
G2R-1 G2R-14 G2R-1-H G2R-1-S G2R-1-T	SPDT	3 to 110 VDC 3 to 240 VAC	10 A, 30 VDC (resistive) 10 A, 250 VAC (general use) TV-3 (NO contact only)
G2R-1A G2R-1A4 G2R-1A-H G2R-1A-S G2R-1A-T	SPST-NO		
G2R-1-E	SPDT		16 A, 30 VDC (resistive, NO contact only) 16 A, 250 VAC (general use, NO contact only) TV-3 (NO contact only); 1/3 hp, 120 VAC
G2R-1A-E	SPST-NO		
G2R-2 G2R-24 G2R-2-H G2R-2-S	DPDT		5 A, 30 VDC (resistive) 5 A, 250 VAC (general use) TV-3 (NO contact only)
G2R-2A G2R-2A4 G2R-2A-H G2R-2A-S	DPST-NO		
G2R-1A-ASI	SPST-NO		10 A, 30 VDC (resistive) 10 A, 250 VAC (general use) TV-5/TV-8 (NO contact only)

## CSA 22.2 No.0, No.14 (File No. LR31928)

Model	Contact form	Coil ratings	Contact ratings
G2R-1 G2R-14 G2R-1-H G2R-1-S G2R-1-T	SPDT	3 to 110 VDC 3 to 240 VAC	10 A, 30 VDC (resistive) 10 A, 250 VAC (general use) T-3 (NO contact only)
G2R-1A G2R-1A4 G2R-1A-H G2R-1A-S G2R-1A-T	SPST-NO		
G2R-1-E	SPDT		16 A, 30 VDC (resistive, N.O only) 16 A, 250 VAC (general use, NO contact only) TV-3 (NO contact only)
G2R-1A-E	SPST-NO		
G2R-2 G2R-24 G2R-2-H G2R-2-S	DPDT		5 A, 30 VDC (resistive) 5 A, 250 VAC (general use) TV-3 (NO contact only)
G2R-2A G2R-2A4 G2R-2A-H G2R-2A-S	DPST-NO		
G2R-1A-ASI	SPST-NO		10 A, 30 VDC (resistive) 10 A, 250 VAC (general use) TV-8 (NO contact only); 1/4 hp, 125 VAC

## SEV

Contact form	Coil ratings	Contact ratings
1 pole	3 to 110 VDC 3 to 240 VAC	16 A, 250 VAC1 (AgSnIn contact) 16 A, 30 VDC1 (AgSnIn contact) 10 A, 250 VAC1 5 A, 250 VAC3 10 A, 30 VDC1
2 poles	3 to 110 VDC 3 to 240 VAC	5 A, 250 VAC1 2 A, 380 VAC1 5 A, 30 VDC1

## SEMKO

Contact form	Coil ratings	Contact ratings
1 pole	3 to 110 VDC 6 to 240 VAC	10/80 A, 250 VAC 3/100 A, 250 VAC 16/128 A, 250 VAC (AgSnIn contact)
2 poles		5/40 A, 250 VAC

## TÜV (IEC 255)

Contact form	Coil ratings	Contact ratings
1 pole	3 to 110 VDC, 6 VAC to 240 VAC (for Standard coil) 3 to 48 VDC (for K, U coil) 3 to 70 VDC (for H coil)	10 A, 250 VAC ( $\cos\phi = 1.0$ ) 10 A, 30 VDC (0 ms) 16 A, 250 VAC ( $\cos\phi = 1.0$ ) (AgSnIn contact)
2 poles		8 A, 250 VAC ( $\cos\phi = 0.4$ ) 5 A, 250 VAC ( $\cos\phi = 1.0$ ) 5 A, 30 VDC (0 ms) 2.5 A, 250 VAC ( $\cos\phi = 0.4$ )

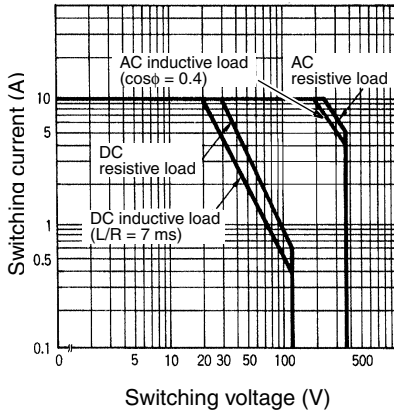
## VDE (IEC 255, VDE 0435), IMQ

Contact form	Coil ratings	Contact ratings
1 pole	5, 6, 9, 12, 18, 24, 48, 60, 100, 110 VDC 12, 18, 24, 48, 50, 100/(110), 110, 120, 200/(220), 220, 230, 240 VAC	10 A, 250 VAC ( $\cos\phi = 1.0$ ) 10 A, 30 VDC (0 ms) 16 A, 250 VAC ( $\cos\phi = 1.0$ )
2 poles	5, 6, 9, 12, 18, 24, 48, 60, 100, 110 VDC 12, 18, 24, 48, 50, 100/(110), 110, 120, 200/(220), 220, 230, 240 VAC	5 A, 250 VAC ( $\cos\phi = 1.0$ ) 5 A, 30 VDC (0 ms)

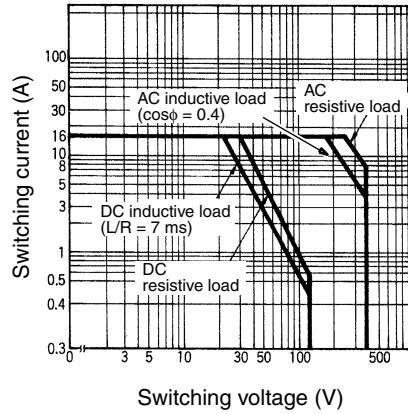
# Engineering Data

## Maximum Switching Power

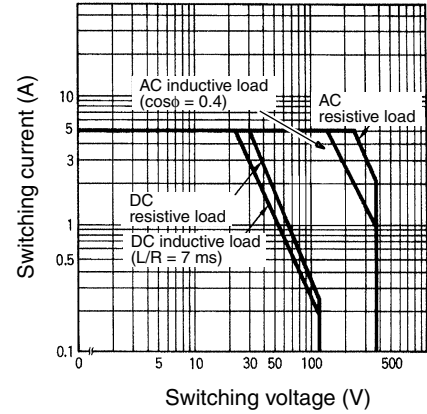
Flux Protection/Plug-in Relays  
G2R-1, G2R-1A, G2R-1-S, G2R-1-T,  
G2R-1A-T



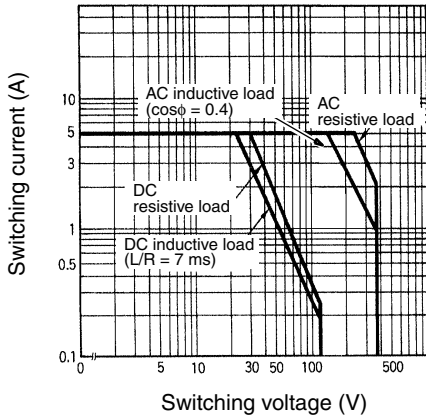
G2R-1-E, G2R-1A-E



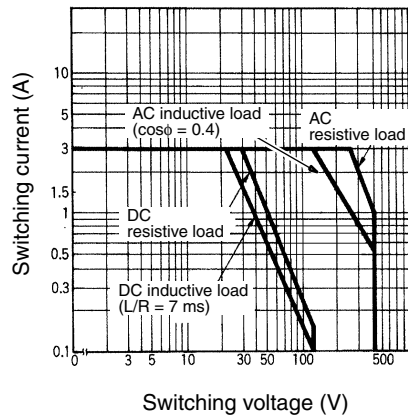
G2R-1Z, G2R-1AZ



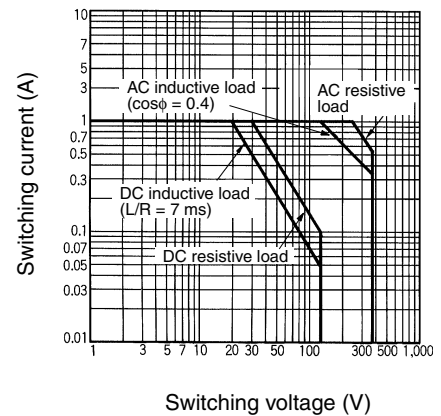
G2R-1-H, G2R-1A-H, G2R-2  
G2R-2A, G2R-2-S



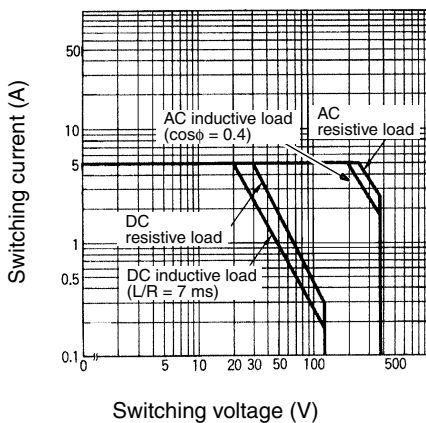
G2R-2-H, G2R-2A-H



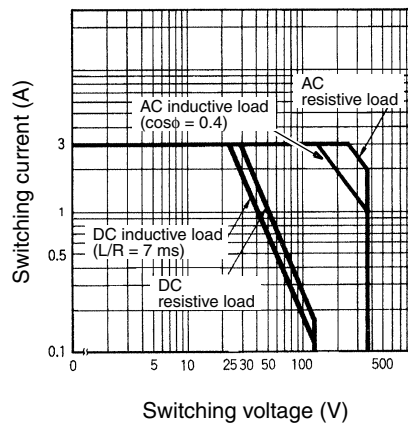
G2R-13-S, G2R-1A3-S



G2RK-1A, G2RK-1

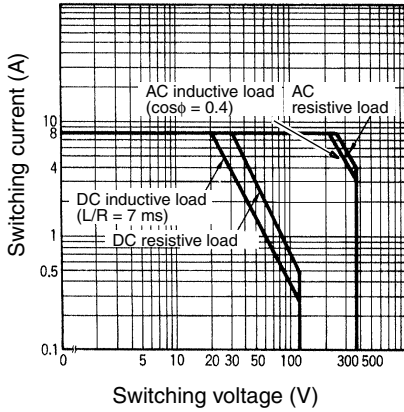


G2RK-2A, G2RK-2

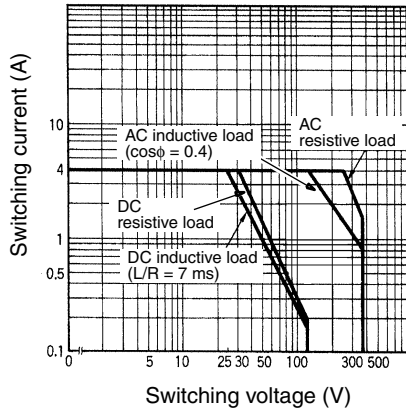




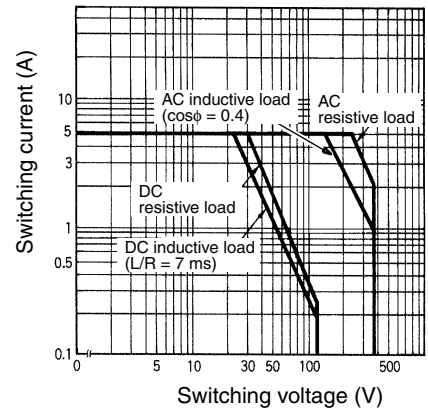
**Fully Sealed Relays**  
G2R-14, G2R-1A4



**G2R-24, G2R-2A4**

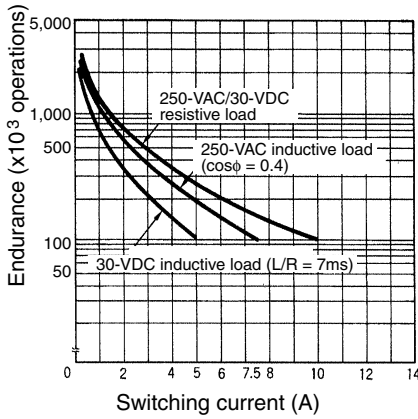


**G2R-1Z4, G2R-1AZ4**

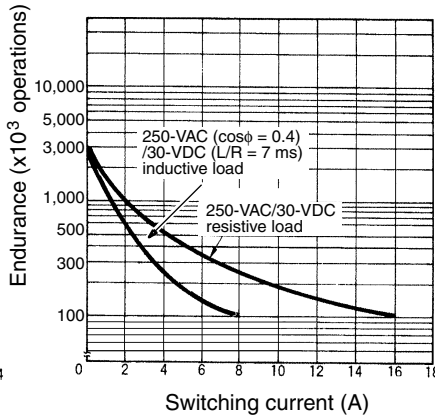


**Endurance**

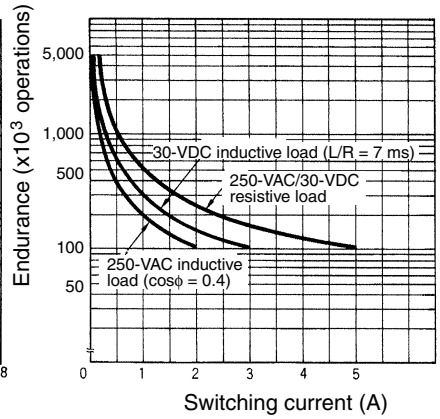
**Flux Protection/Plug-in Relays**  
G2R-1, G2R-1A, G2R-1-S, G2R-1-T, G2R-1A-T



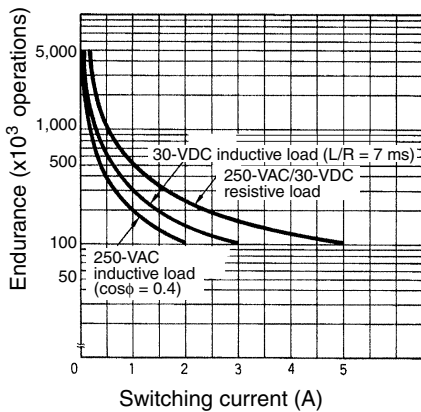
**G2R-1-E, G2R-1A-E**



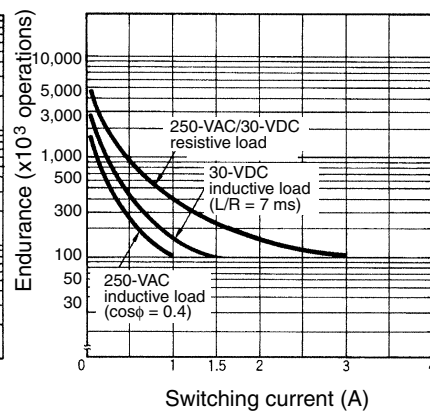
**G2R-1Z, G2R-1AZ**



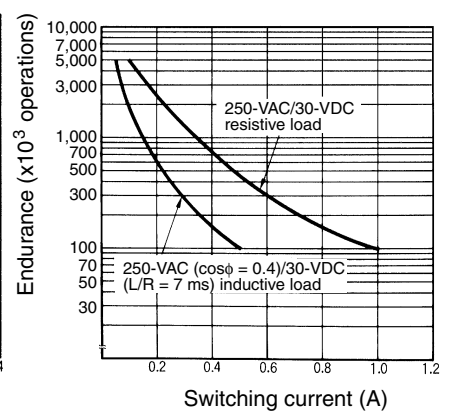
**G2R-1-H, G2R-1A-H, G2R-2, G2R-2A, G2R-2-S**



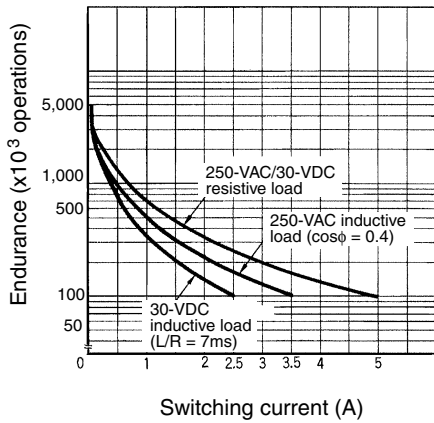
**G2R-2-H, G2R-2A-H**



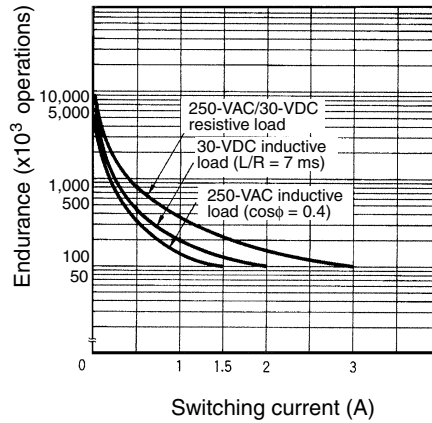
**G2R-13-S, G2R-1A3-S**



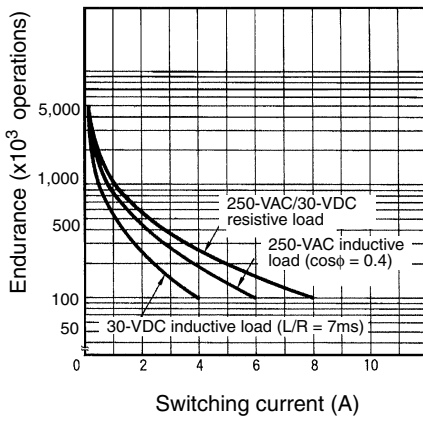
G2RK-1A, G2RK-1



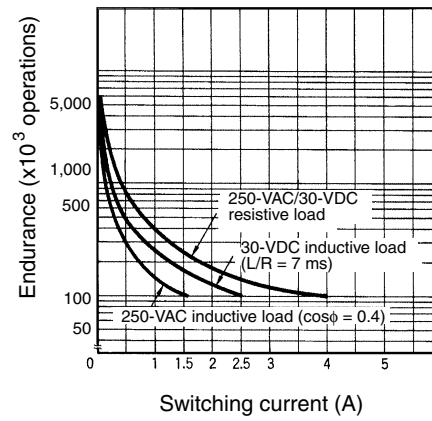
G2RK-2A, G2RK-2



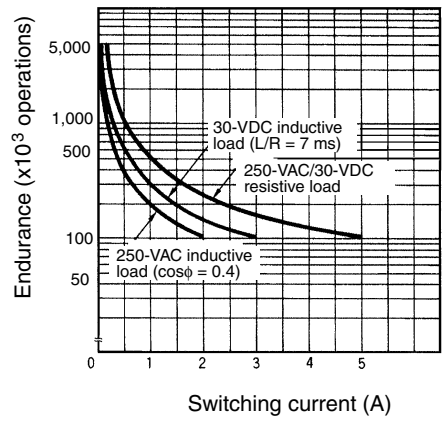
Fully sealed Relays  
G2R-14, G2R-1A4



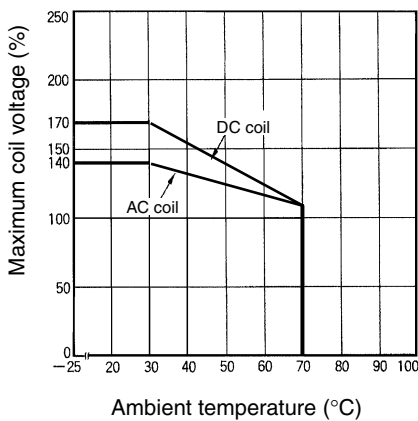
G2R-24, G2R-2A4



G2R-1Z4, G2R-1AZ4




Ambient Temperature vs Maximum Coil Voltage



**Note:** The maximum coil voltage refers to the maximum value in a varying range of operating power voltage, not a continuous voltage.

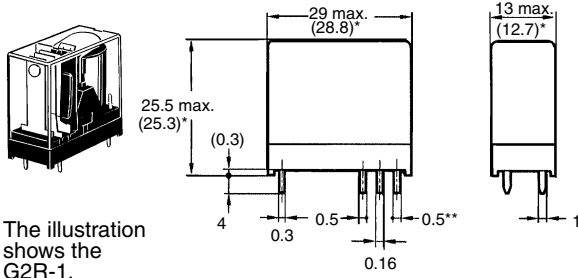
# Dimensions

**Note:** 1. All units are in millimeters unless otherwise indicated.

2. Orientation marks are indicated as follows:  

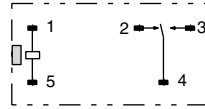
## Relays with PCB Terminals

### SPDT Relays G2R-1, G2R-1Z, G2R-1-H



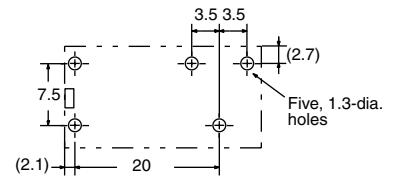
\*Average value  
\*\*0.3 (-H Type)

### Terminal Arrangement/ Internal Connections (Bottom View)



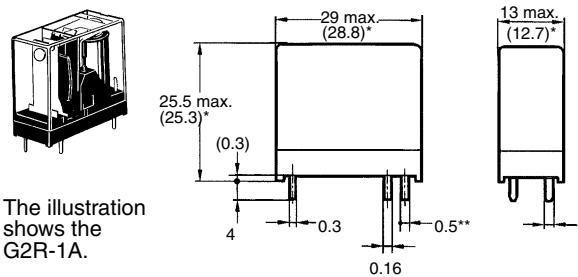
### Mounting Holes (Bottom View)

Tolerance:  $\pm 0.1$

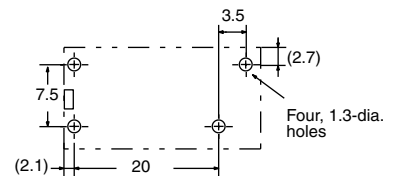
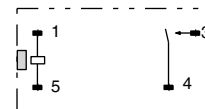


(No coil polarity)

### SPST-NO Relays G2R-1A, G2R-1AZ, G2R-1A-H

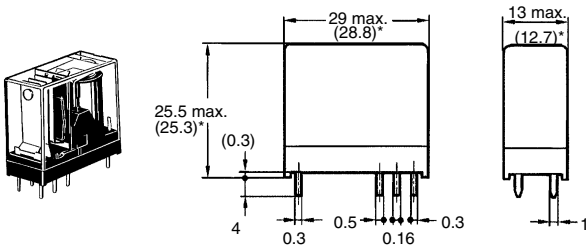


\*Average value  
\*\*0.3 (-H Type)

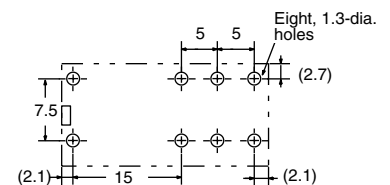
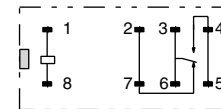


(No coil polarity)

### SPDT/High-capacity Relays G2R-1-E

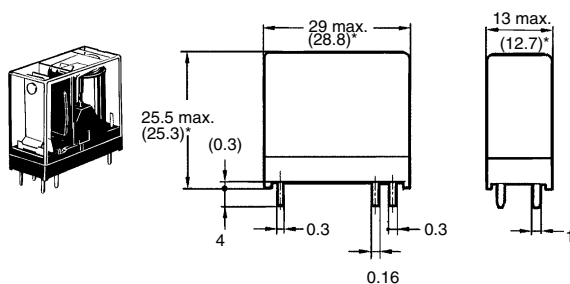


\*Average value

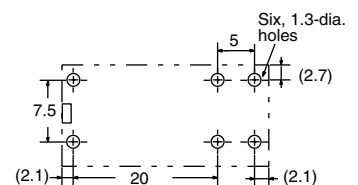
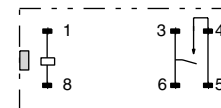


(No coil polarity)

### SPST-NO/High-capacity Relays G2R-1A-E



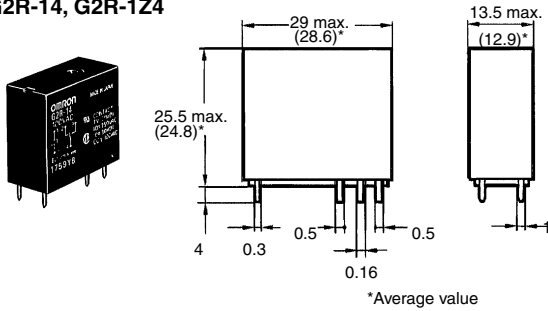
\*Average value



(No coil polarity)

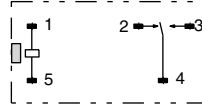
**Relays with PCB Terminals**

**SPDT Relays  
G2R-14, G2R-1Z4**



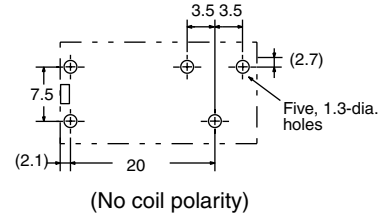
\*Average value

**Terminal Arrangement/  
Internal Connections  
(Bottom View)**



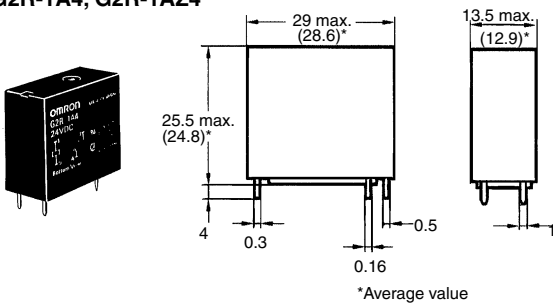
**Mounting Holes  
(Bottom View)**

Tolerance:  $\pm 0.1$

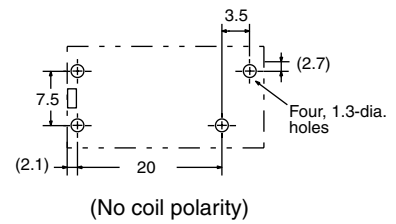
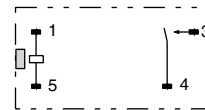


(No coil polarity)

**SPST-NO Relays  
G2R-1A4, G2R-1AZ4**



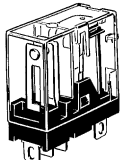
\*Average value



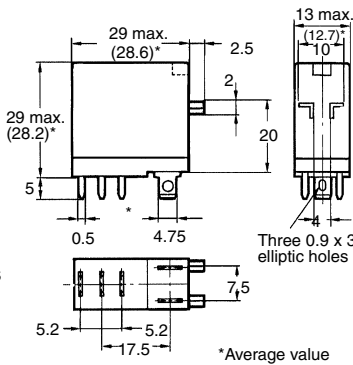
(No coil polarity)

**Relays with Plug-in Terminals**

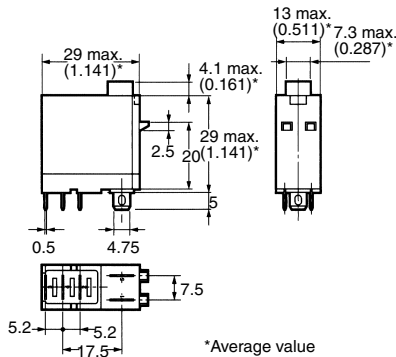
**SPDT Relays  
G2R-1-S, G2R-1-SD, G2R-1-SN, G2R-1-SND, G2R-1-SNI, G2R-1-SNDI  
G2R-13-S, G2R-13-SD, G2R-13-SN, G2R-13-SND**



\*This terminal is SPDT only.



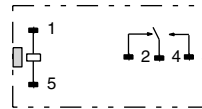
\*Average value



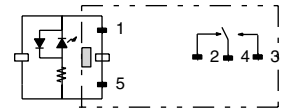
\*Average value

**Terminal Arrangement/Internal Connections  
(Bottom View)**

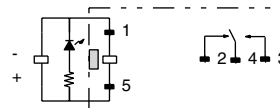
G2R-1-S, G2R-13-S



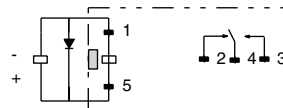
G2R-1-SN, G2R-1-SNI,  
G2R-13-SN (AC)



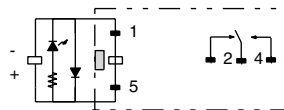
G2R-1-SN, G2R-1-SNI,  
G2R-13-SN (DC)



G2R-1-SD, G2R-13-SD  
(DC)



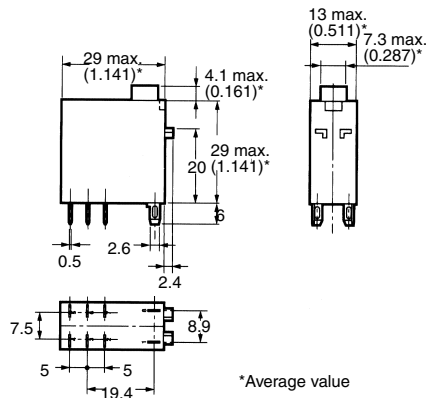
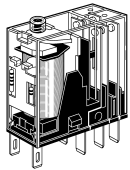
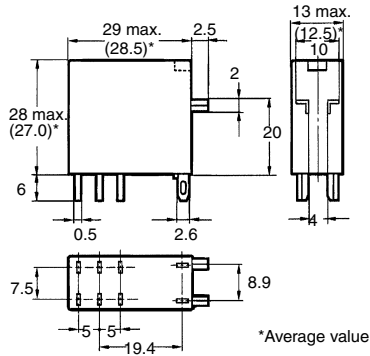
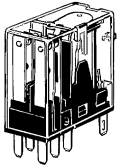
G2R-1-SND, G2R-1-SNDI,  
G2R-13-SND (DC)



(After confirming coil polarity, wire correctly.)  
(Except G2R-1-S,  
G2R-13-S)

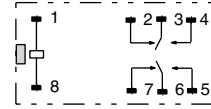
**DPDT Relays**

**G2R-2-S, G2R-2-SD, G2R-2-SN, G2R-2-SNI, G2R-2-SNDI  
G2R-2-SND**

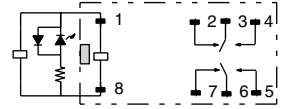


**Terminal Arrangement/Internal Connections  
(Bottom View)**

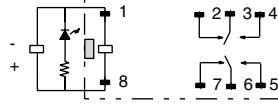
G2R-2-S



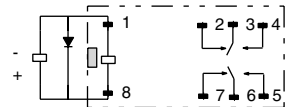
G2R-2-SN G2R-2-SNI (AC)



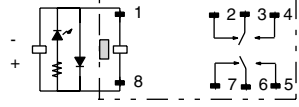
G2R-2-SN G2R-2-SNI  
(DC)



G2R-2-SD  
(DC)



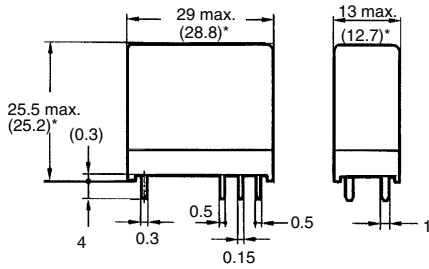
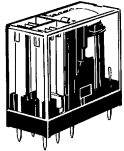
G2R-2-SND G2R-2-SNDI  
(DC)



(After confirming coil polarity, wire correctly.)

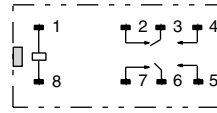
**Relays with PCB Terminals**

**DPDT Relays  
G2R-2, G2R-2-H**



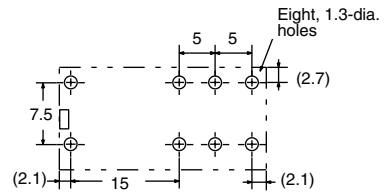
\*Average value

**Terminal Arrangement/  
Internal Connections  
(Bottom View)**



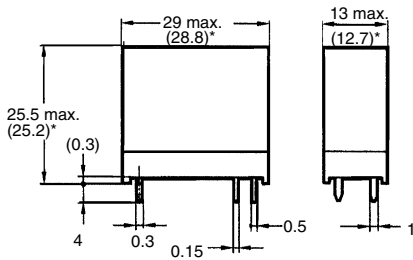
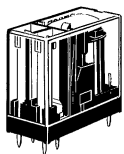
**Mounting Holes  
(Bottom View)**

Tolerance:  $\pm 0.1$

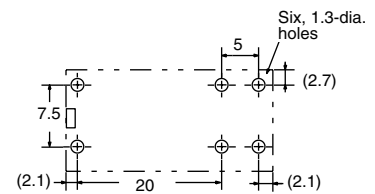
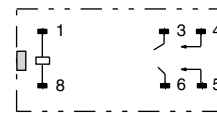


(No coil polarity)

**DPST-NO Relays  
G2R-2A, G2R-2A-H**

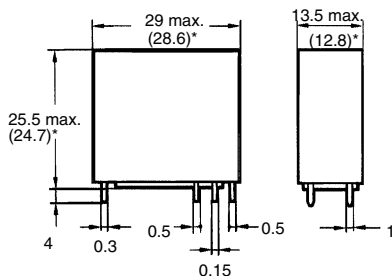


\*Average value

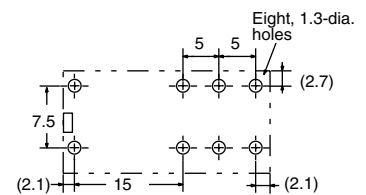
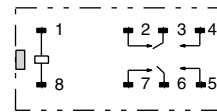


(No coil polarity)

**DPDT Relays  
G2R-24**

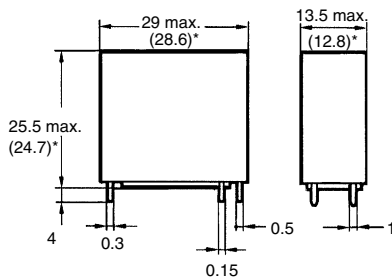


\*Average value

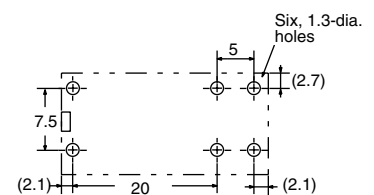
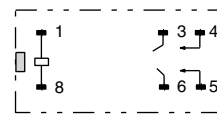


(No coil polarity)

**DPST-NO Relays  
G2R-2A4**



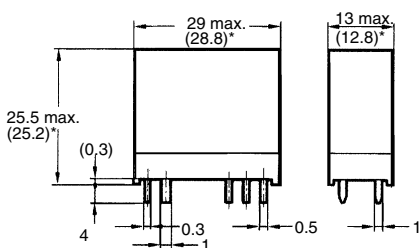
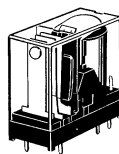
\*Average value



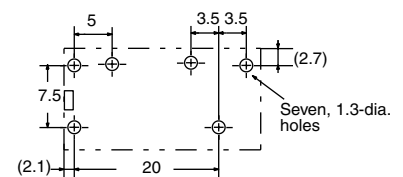
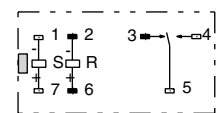
(No coil polarity)

**Double-winding Latching Relays with PCB Terminals**

**SPDT Relays  
G2RK-1**



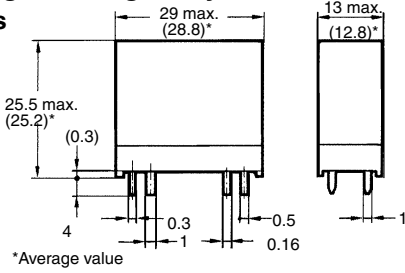
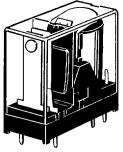
\*Average value



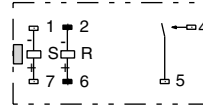
(After confirming coil polarity, wire correctly.)

**Double-winding Latching Relays with PCB Terminals**

**SPST-NO Relays  
G2RK-1A**

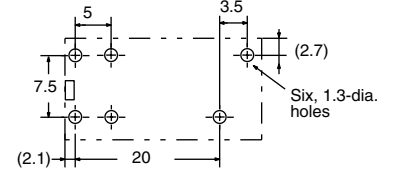


**Terminal Arrangement/  
Internal Connections  
(Bottom View)**



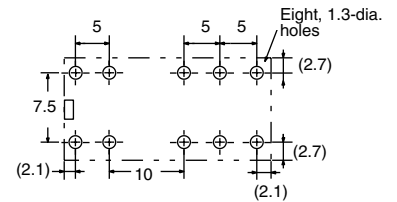
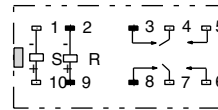
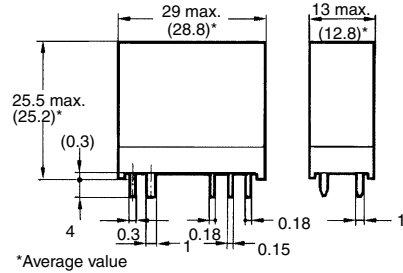
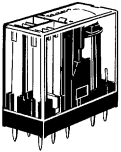
**Mounting Holes  
(Bottom View)**

Tolerance:  $\pm 0.1$



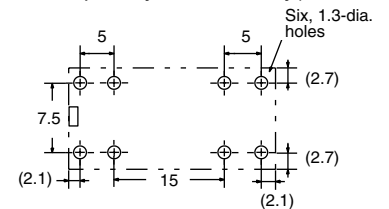
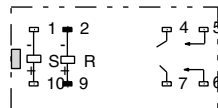
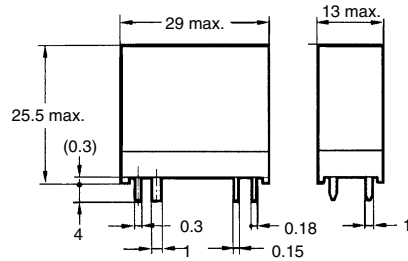
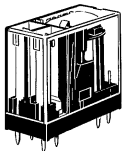
(After confirming coil polarity, wire correctly.)

**DPDT Relays  
G2RK-2**



(After confirming coil polarity, wire correctly.)

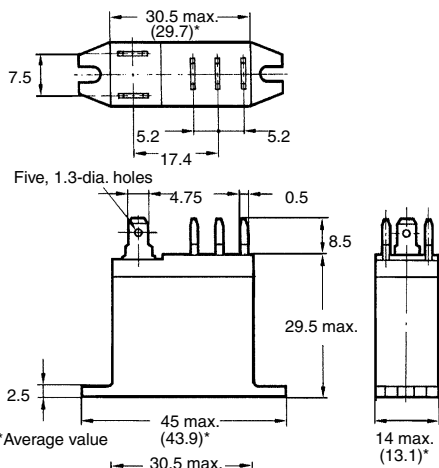
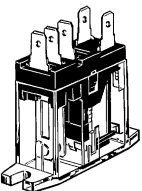
**DPST-NO Relays  
G2RK-2A**



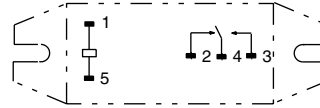
(After confirming coil polarity, wire correctly.)

**Relays with Quick-connect Terminals**

**SPDT Relays  
G2R-1-T**



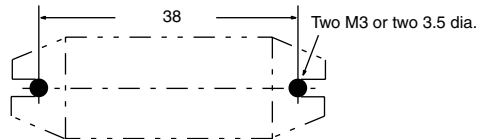
**Terminal Arrangement/Internal Connections  
(Bottom View)**



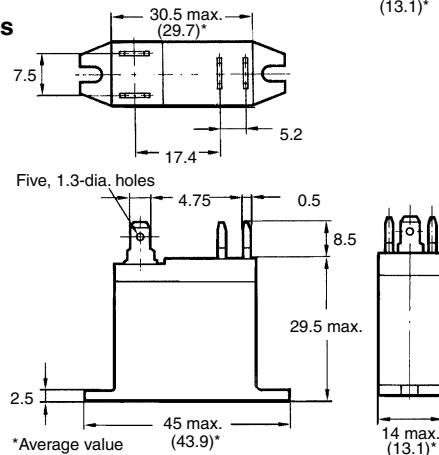
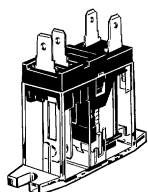
(No coil polarity)

**Mounting Holes (Bottom View)**

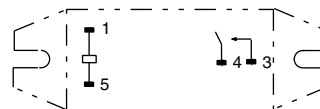
Tolerance:  $\pm 0.1$



**SPST-NO Relays  
G2R-1A-T**

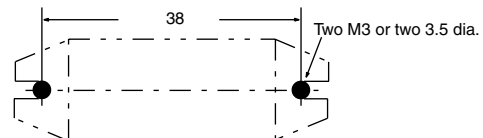


**Terminal Arrangement/Internal Connections  
(Bottom View)**



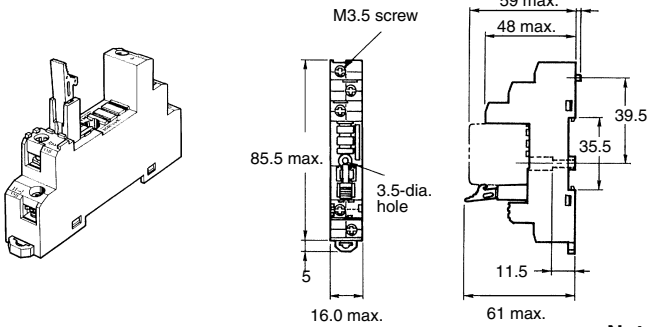
(No coil polarity)

**Mounting Holes (Bottom View)**

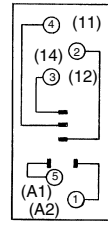


**Note:** Model number of quick-connect terminal is 187.

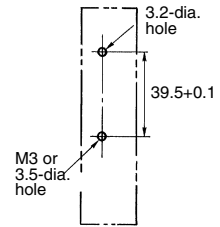
**Track/Surface Mounting Sockets**  
**P2RF-05-E**



**Terminal Arrangement**  
**(Top View)**

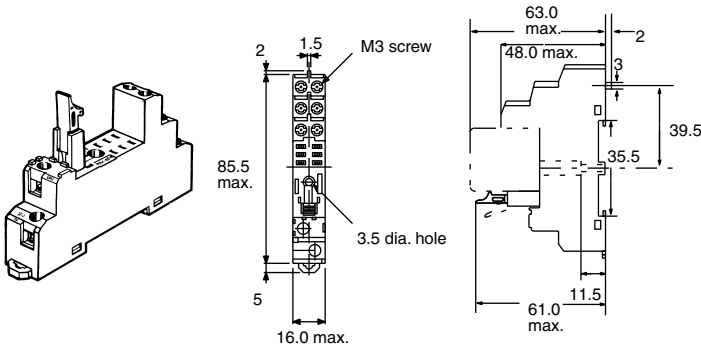


**Mounting Holes**  
**(for Surface Mounting)**

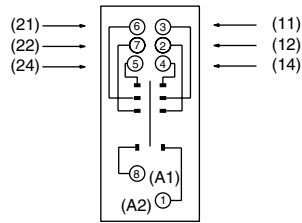


**Note:** Pin numbers in parentheses apply to DIN standard.

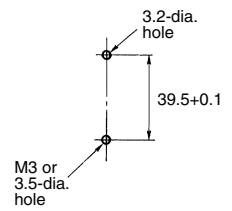
**P2RF-08-E**



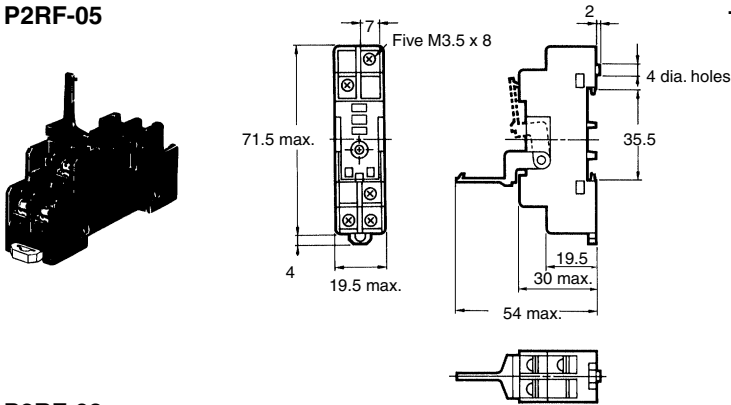
**Terminal Arrangement**  
**(Top View)**



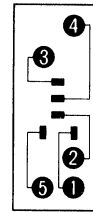
**Mounting Holes**  
**(for Surface Mounting)**



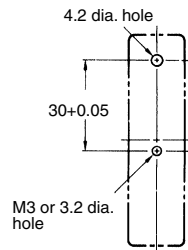
**P2RF-05**



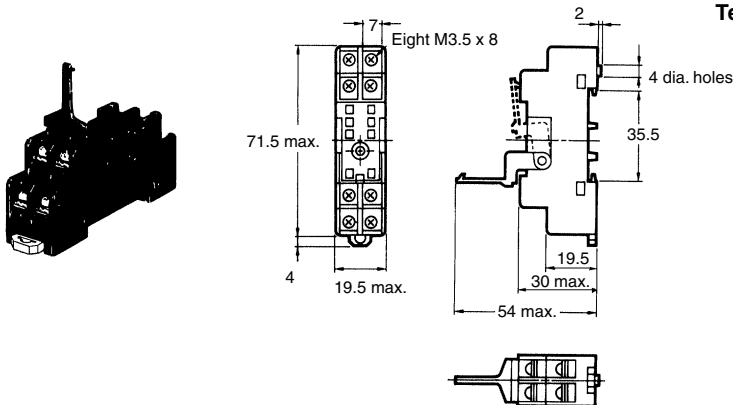
**Terminal Arrangement**



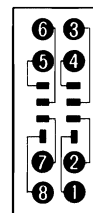
**Mounting Holes**  
**(for Surface Mounting)**



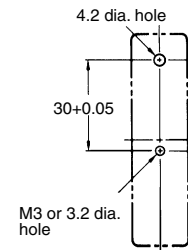
**P2RF-08**



**Terminal Arrangement**

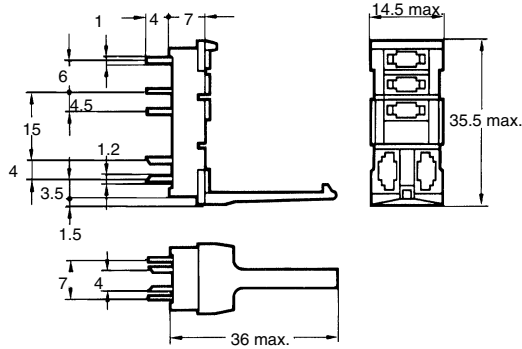
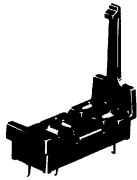


**Mounting Holes**  
**(for Surface Mounting)**

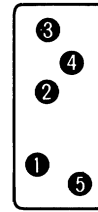




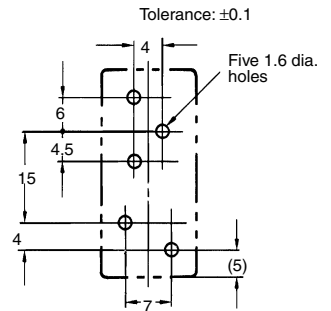
**Back Connecting Sockets**  
**P2R-05P (1-pole)**



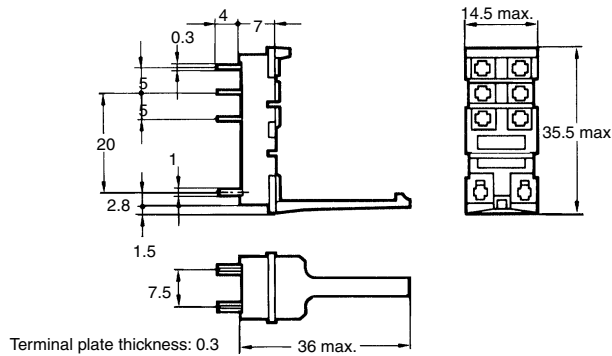
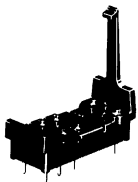
**Terminal Arrangement**



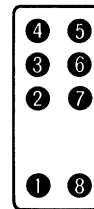
**Mounting Holes**



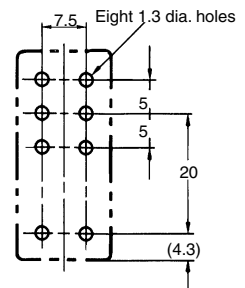
**P2R-08P (2-pole)**



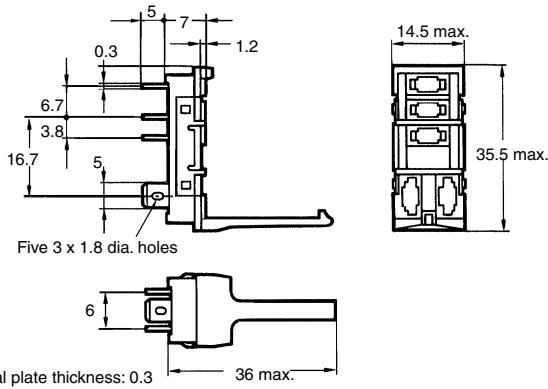
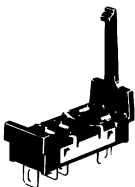
**Terminal Arrangement**



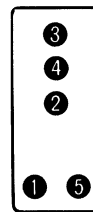
**Mounting Holes**



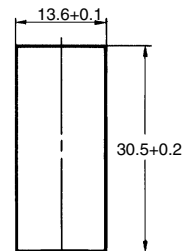
**P2R-05A (1-pole)**



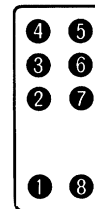
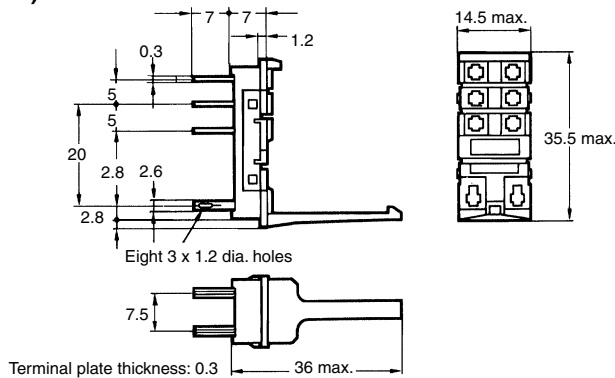
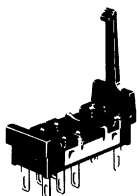
**Terminal Arrangement**



**Panel Cutout**

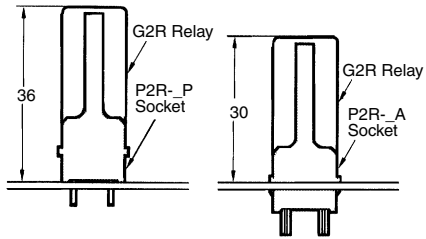


**P2R-08A (2-pole)**

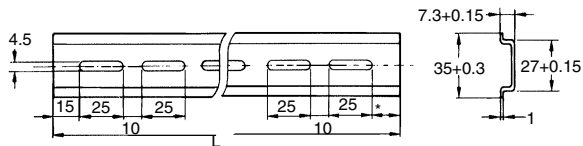
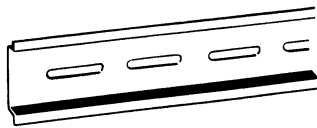


Recommended thickness of the panel is 1.6 to 2.0 mm

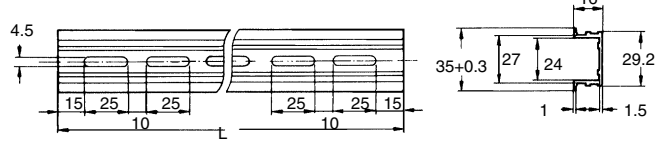
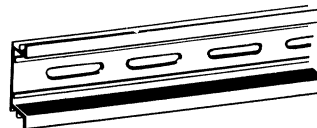
**Mounting Height of Relay with Socket**



**Mounting Track**  
PFP-100N, PFP-50N



**PFP-100N2**

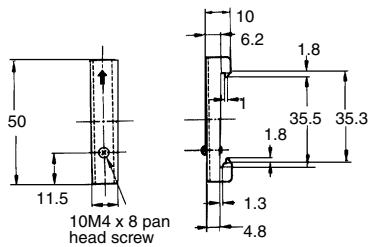
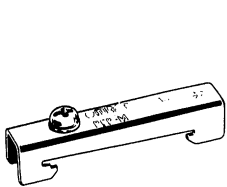


It is recommended to use a panel 1.6 to 2.0 mm thick.

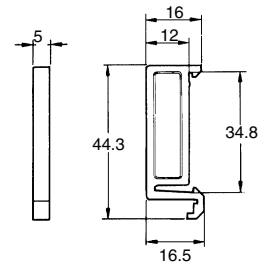
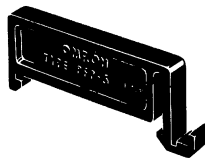
**L: Length**

1 m	PFP-100N
50 cm	PFP-50N
1 m	PFP-100N2

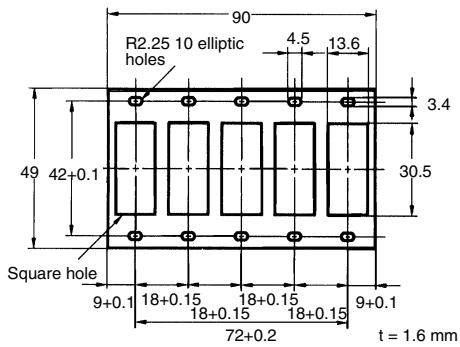
**End Plates**  
PFP-M



**Spacers**  
PFP-S



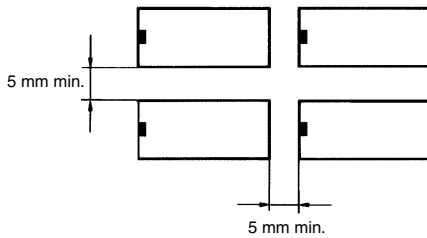
**Mounting Plates**  
P2R-P



## Precautions

### ■ Mounting

When mounting a number of relays on a PCB, be sure to provide a minimum mounting space of 5 mm between the two juxtaposed relays as shown below.



The above minimum mounting space is necessary due to mutual thermal interference generated by the relays. This restriction may be ignored, however, depending on the operating conditions of the relays. Consult OMRON for details.

There is no restriction on the mounting direction of each relay on the PCB.

When using this circuit, confirm the set and reset states and then take into account the circuit constant.

**ALL DIMENSIONS SHOWN ARE IN MILLIMETERS.**

To convert millimeters into inches, multiply by 0.03937. To convert grams into ounces, multiply by 0.03527.