



Taimag USA

55 Charles Drive Tewksbury Ma 01876
tel: 978.777.7725 fax: 978.777.4877 http://www.Taimagusa.com

NO: RD-HA-SD003

DATE: 2003/1/23 N (REV:0/2)

10/100 BASE TRANSFORMERS DESIGNED FOR NS CHIPSETS

MODEL NO : HA-003

FEATURE:

ENVIRONMENTAL: At 235C IN 1 MINUTE

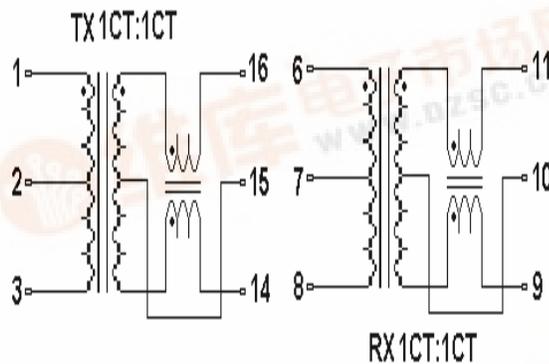
SPECIFICATIONS: AT 25C

OCL : 350uH Min @ 100Khz, 100mV 8mA

Operating temp : -40C to +85C

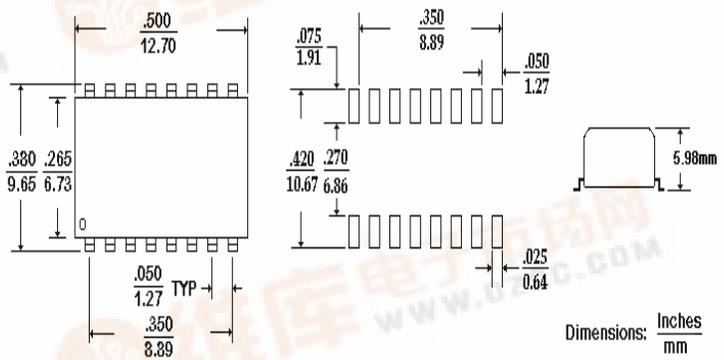
Part Number	Turns Ratio ±5%		Insertion Loss [dB MIN]	Return Loss [dB MIN]			Common Mode Rejection [dB MIN]			Cross Talk [dB MIN]		HIPOT (VAC)
	TX	RX		1~60 MHz	60~100 MHz	30 MHz	50 MHz	100 MHz	1~60 MHz	60~100 MHz		
HA-003	1CT:1CT	1CT:1CT	-1.1	-15	-14	-42	-37	-33	-40	-38	1500	

SCHEMATICS:



DIMENSION:

TOLERANCE: mm(±0.25)





Taimag USA
55 Charles Drive Tewksbury Ma 01876
tel: 978.777.7725 fax: 978.777.4877 <http://www.Taimagusa.com>

NO: RD-HA-SD003
DATE: 2003/1/23 N (REV:0/2)

10/100 BASE TRANSFORMERS Application

