

AT-CUT CRYSTAL UNIT (SMD • Metal-can Type)

RoHS Compliant Optional

HCM49

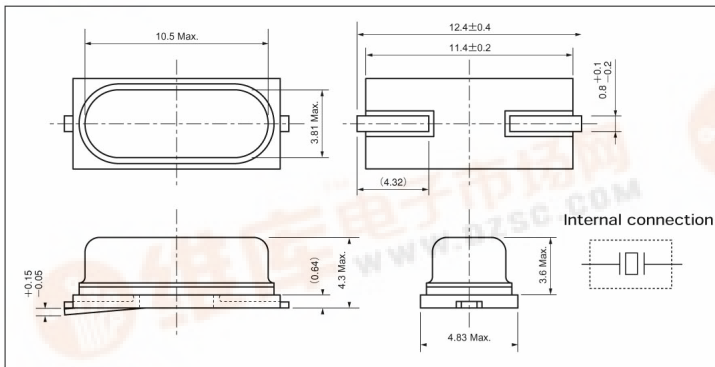
1000pcs/reel



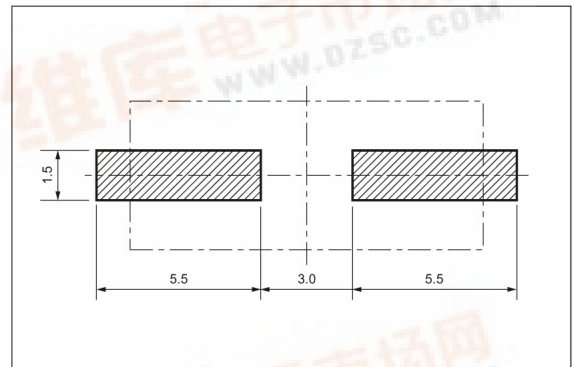
FEATURES

- Surface mount type of metal-can HC-49/U-S. High performance with the resistance weld sealing.
- Automatic mounting and reflowable Type.
- Suitable for various applications such as communication devices, AV devices, automotive devices and measuring instruments.

DIMENSION [mm]



SOLDER PAD LAYOUT [mm]



STANDARD SPECIFICATIONS

Item	Model	HCM49	Conditions
Nominal Frequency	f ₀	3.5MHz~30.0MHz (Fundamental)	Need to contact us for the available frequency
		30.001MHz~50.0MHz (3rd Overtone)	
Frequency Tolerance	Δf/f ₀	±30ppm	at 25°C
Frequency Tolerance over Operating Temperature Range	Δf/f ₀	±50ppm	-10°C~+60°C
Operating Temperature Range	T _{OPR}	-40°C~+85°C	
Storage Temperature Range	T _{STR}	-55°C~+125°C	
Motional (series) resistance	R ₁	Refer to the following table	at 25°C
Load capacitance	C _L	18.0pF	Need to specify your requirement
Shunt capacitance	C ₀	7.0pF Max.	
Level of drive	D _L	100 μW Max.	
Insulation Resistance	I _R	500M Ω Min.	DC100V±15V
Aging (first year)	Δf/f ₀	±5ppm Max.	25°C±3°C

MOTIONAL (SERIES) RESISTANCE (R₁)

Frequency Range	3.5MHz ≤ f ₀ < 4.0MHz	4.0MHz ≤ f ₀ < 6.0MHz	6.0MHz ≤ f ₀ < 10MHz	10MHz ≤ f ₀ < 14MHz	14MHz ≤ f ₀ < 30MHz	30MHz ≤ f ₀ < 36MHz	36MHz ≤ f ₀ ≤ 50MHz
Mode	Fundamental	Fundamental	Fundamental	Fundamental	Fundamental	3rd Overtone	3rd Overtone
R ₁	200 Ω Max.	150 Ω Max.	100 Ω Max.	80 Ω Max.	50 Ω Max.	140 Ω Max.	100 Ω Max.

