



HF84F (8400)

HIGH POWER RELAY



Features

- 16A switching capability
- 2.5kV dielectric strength (between coil and contacts)
- Panel mount, various terminal types
- Environmental friendly product (RoHS compliant)
- Outline Dimensions: (47.0 x 32.0 x 28.5)mm



File No.:E134517

CONTACT DATA	
Contact arrangement	1A, 1B, 1C
Contact resistance	50mΩ (at 1A 24VDC)
Contact material	AgCe
Contact rating (Res.load)	1A, 1B:16A 120/240VAC 1C: 8A 120/240VAC
Max. switching voltage	240VAC
Max. switching current	16A
Max. switching power	3840VAC
Mechanical endurance	1 x 10 ⁶ OPS
Electrical endurance	1 x 10 ⁵ OPS

COIL DATA					at 23°C
Nominal Voltage VDC	Pick-up Voltage VDC	Drop-out Voltage VDC	Max. Allowable Voltage VDC	Coil Resistance Ω	
6	4.50	0.6	6.6	17.5 x (1±10%)	
9	6.75	0.9	9.9	40 x (1±10%)	
12	9.00	1.2	13.2	70 x (1±10%)	
24	18.0	2.4	26.4	280 x (1±10%)	
48	36.0	4.8	52.8	1120 x (1±10%)	
120	90.0	12.0	132	7000 x (1±10%)	

CHARACTERISTICS		
Insulation resistance	1500MΩ (at 500VDC)	
Dielectric strength	Between coil & contacts	2500VAC 1min
	Between open contacts	1000VAC 1min
Operate time (at nomi. volt.)	DC type: 25ms max.	
Release time (at nomi. volt.)	DC type: 25ms max.	
Temperature rise (at nomi. volt.)	60K max.	
Shock resistance (Functional)	150m/s ² 11ms	
Vibration resistance	10Hz to 55Hz 2.54mm DA	
Ambient temperature	-20°C to 40°C	
Humidity	98% RH, 40°C	
Termination	QC	
Unit weight	Approx. 75g	
Construction	Dust protected	

Nominal Voltage VAC	Pick-up Voltage VAC	Drop-out Voltage VAC	Max. Allowable Voltage VAC	Coil Resistance Ω	
6	5.1	1.2	6.6	4.8 x (1±10%)	
12	10.2	2.4	13.2	19 x (1±10%)	
24	20.4	4.8	26.4	90 x (1±10%)	
48	40.6	9.6	52.8	300 x (1±10%)	
120	102	24	132	2000 x (1±10%)	
240	204	48	264	7200 x (1±10%)	
277	235	55.4	304.7	11000 x (1±10%)	

COIL	
Coil power	DC type: 2.1W ; AC type: 3.5VA

SAFETY APPROVAL RATINGS		
UL&CUR	HF84F-1	8FLA 25LRA 250VAC 16A 250VAC 8A 250VAC
	HF84F-4	8FLA 25LRA 250VAC 16A 250VAC 8A 250VAC
	HF84F-7	8FLA 25LRA 250VAC 8A 250VAC

Notes: Only some typical ratings are listed above. If more details are required, please contact us.



ORDERING INFORMATION

		HF84F	-1	A	24	(XXX)
Type ¹⁾	HF84F 8400 (Old type)					
Contact arrangement	1: 1 Form C 4: 1 Form A 7: 1 Form B					
Coil voltage form	D: DC A: AC					
Coil voltage	AC: 6 to 277VAC DC: 6 to 120VDC					
Customer special code ²⁾	Only for special requirements, e.g. (555) stands for RoHS compliant					

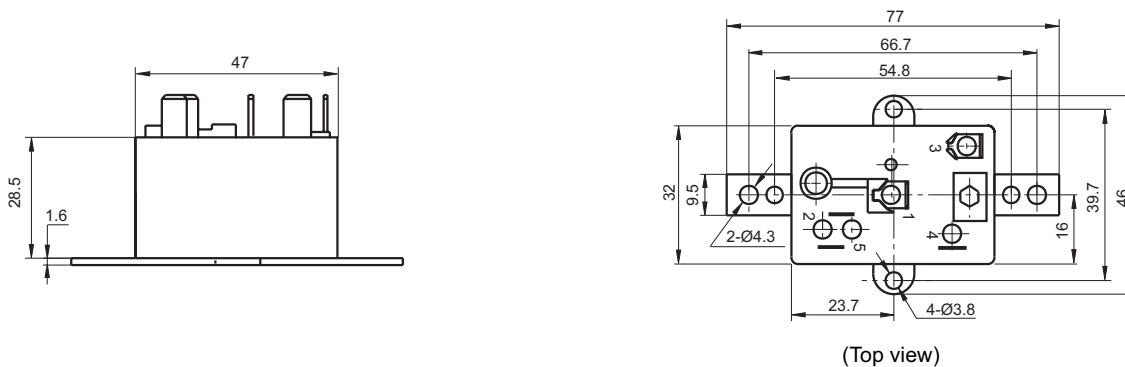
Notes: 1) We have now gradually updated our ordering information. We suggest new type should be selected. If necessary, old type can be kept for some period for the old customers.

2) HF84F is an environmental friendly product. Please mark a special code (555) when ordering.

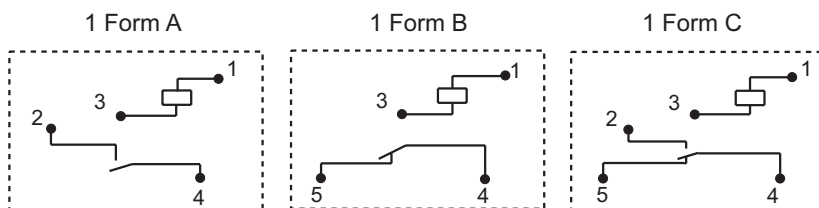
OUTLINE DIMENSIONS, WIRING DIAGRAM AND PC BOARD LAYOUT

Unit: mm

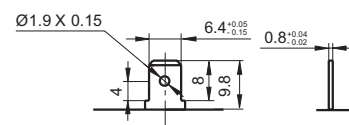
Outline Dimensions



Wiring Diagram (Top view)



Terminals type



Remark: In case of no tolerance shown in outline dimension: outline dimension ≤ 1 mm, tolerance should be ± 0.2 mm; outline dimension > 1 mm and ≤ 5 mm, tolerance should be ± 0.3 mm; outline dimension > 5 mm, tolerance should be ± 0.4 mm.

Disclaimer

This datasheet is for the customers' reference. All the specifications are subject to change without notice.

We could not evaluate all the performance and all the parameters for every possible application. Thus the user should be in a right position to choose the suitable product for their own application. If there is any query, please contact Hongfa for the technical service. However, it is the user's responsibility to determine which product should be used only.