



HT48R54A

I/O Type 8-Bit OTP MCU with 16×16 High Current LED Driver

Technical Document

- [Tools Information](#)
- [FAQs](#)
- [Application Note](#)
 - [HA0002E Reading Larger than Usual MCU Tables](#)
 - [HA0007E Using the MCU Look Up Table Instructions](#)
 - [HA0019E Using the Watchdog Timer in the HT48 MCU Series](#)
 - [HA0020E Using the Timer/Event Counter in the HT48 MCU Series](#)
 - [HA0075E MCU Reset and Oscillator Circuits Application Note](#)

Features

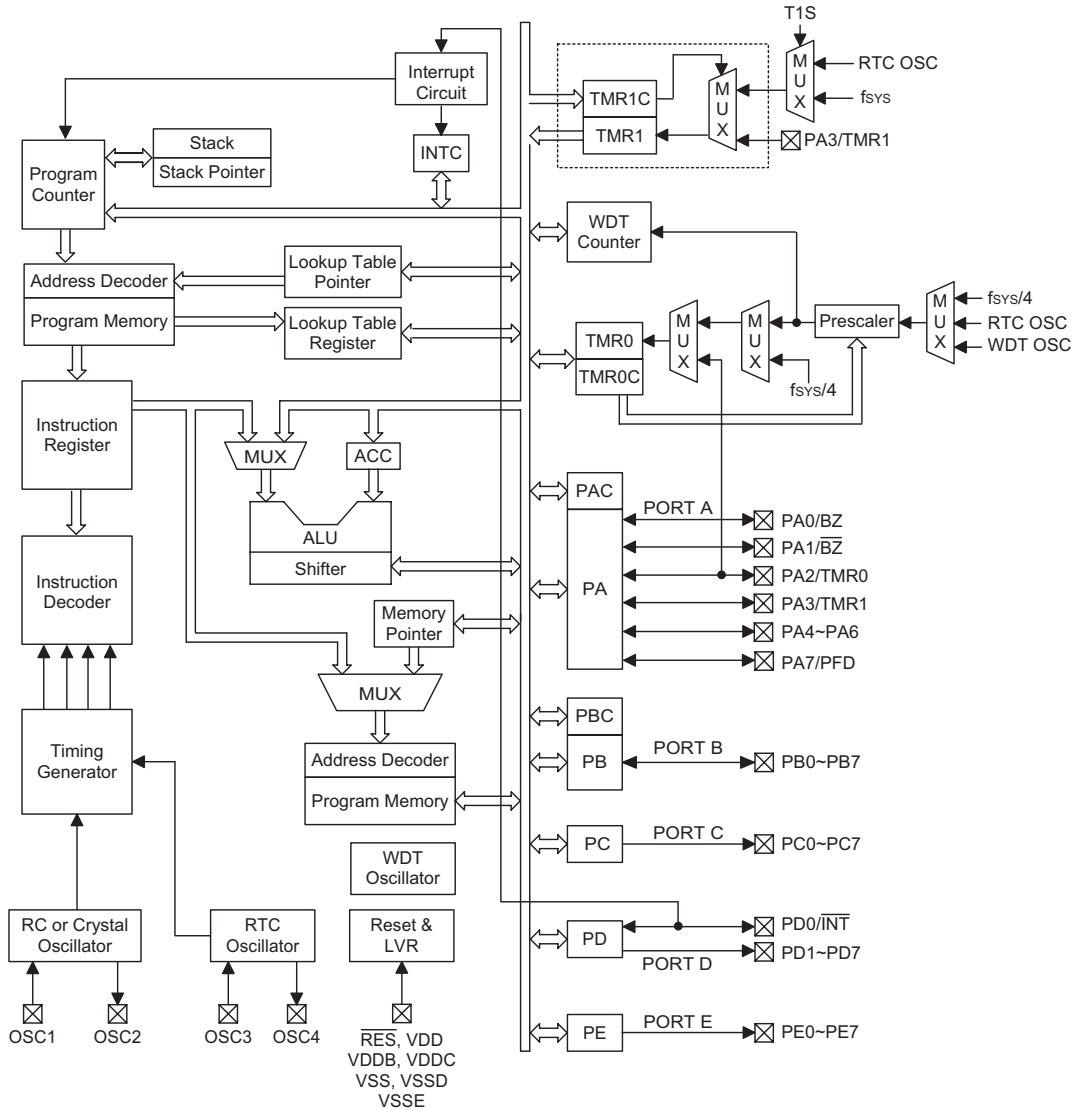
- Operating voltage:
 - $f_{SYS}=32768\text{Hz}$: 2.2V~5.5V
 - $f_{SYS}=4\text{MHz}$: 2.2V~5.5V
 - $f_{SYS}=8\text{MHz}$: 3.3V~5.5V
- 4k×15 program memory ROM
- 192×8 data memory RAM
- 16 bidirectional I/O lines
- 24 output lines
- One external interrupt input
- Two internal interrupt
- Two 8 bit programmable timer/event counter
- 32768 Real Time Clock function
- 6-level subroutine nesting
- Watchdog Timer (WDT)
- Low voltage reset (LVR)
- PFD/Buzzer driver output
- RC/XTAL and 32768Hz crystal oscillator
- Dual clock system offers three operating modes
 - Normal mode: Both RC/XTAL and 32768Hz clock active
 - Slow mode: 32768Hz clock only
 - Idle mode: Periodical wake-up by watchdog timer overflow
- HALT function and wake-up feature reduce power consumption
- 15-bit table read instructions
- 63 powerful instructions
- One instruction cycle: 4 system clock periods
- All instructions in 1 or 2 instruction cycles
- Bit manipulation instructions
- Up to 0.5 μs instruction cycle with 8MHz system clock
- 44/52-pin QFP package

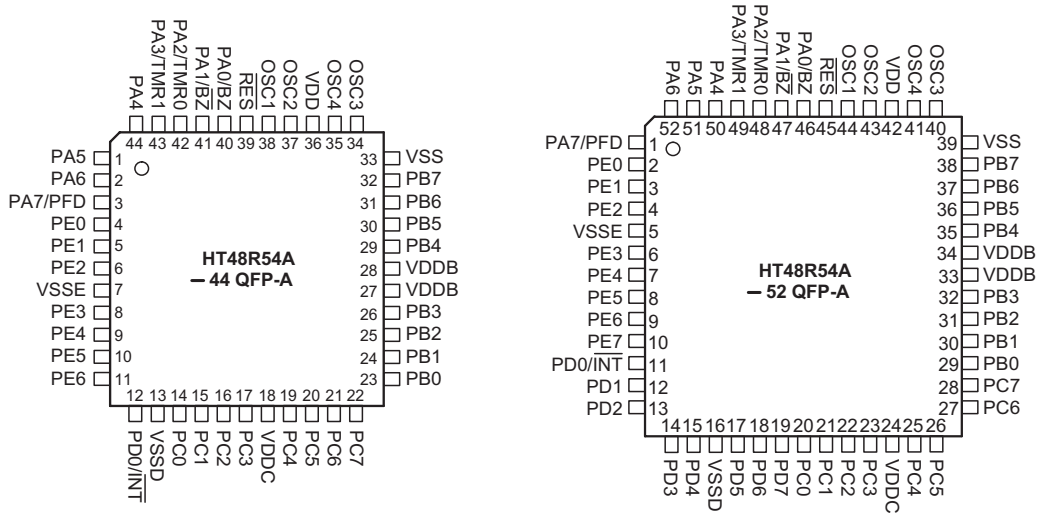
General Description

This device is an 8-bit high performance, RISC architecture microcontroller specifically designed for multiple I/O control product applications. The advantages of low power consumption, I/O flexibility, timer functions, oscillator options, HALT and wake-up functions, watchdog

timer, as well as low cost, enhance the versatility of these devices to suit a wide range of application possibilities such as industrial control, consumer products, subsystem controllers, etc.

Block Diagram



Pin Assignment

Pin Description

Pin Name	I/O	Options	Description
PA0/BZ PA1/BZ PA2/TMR0 PA3/TMR1 PA4~PA6 PA7/PFD	I/O	Pull-high Wake-up Buzzer PFD	Bidirectional 8-bit input/output port. Software instructions determine if the pin is a CMOS output or Schmitt trigger input. A pull-high resistor can be connected via configuration option. Each pin can be setup to be a wake-up input via configuration options. The PA0 and PA1 are pin-shared with the BZ and \overline{BZ} , respectively. The timer input TMR0 is pin-shared with PA2. The timer input TMR1 is pin-shared with PA3. The PFD function is pin-shared with PA7 which is determined by configuration option.
PB0~PB7	I/O	—	Bidirectional 8-bit input/output port. When used as output port, they are configured as PMOS output pins.
PC0~PC7	O	—	PC0~PC7 are PMOS output pins.
PD0/ \overline{INT}	I/O	—	External interrupt input. Pin-shared with PD0 and activated on a high to low or low to high transition. PD0 is NMOS type output pin.
PD1~PD7	O	—	PD1~PD7 are NMOS output pins.
PE0~PE7	O	—	PE0~PE7 are NMOS output pins.
\overline{RES}	I	—	Schmitt trigger reset input. Active low.
OSC1 OSC2	I O	RC or Crystal	OSC1 and OSC2 are connected to an RC network or a crystal (by options) for the internal system clock. In the case of RC operation, OSC2 is the output terminal for 1/4 system clock.
OSC3 OSC4	I O	—	Real time clock oscillator. OSC3 and OSC4 are connected to a 32768Hz crystal oscillator for system clock timing purposes.
VDD	—	—	Positive power supply
VDDDB	—	—	PB port positive power supply
VDDC	—	—	PC port positive power supply
VSS	—	—	Negative Power supply, ground
VSSD, VSSE	—	—	PD & PE port negative power supply, ground

Absolute Maximum Ratings

Supply Voltage	$V_{SS}-0.3V$ to $V_{SS}+6.0V$	Storage Temperature	$-50^{\circ}C$ to $125^{\circ}C$
Input Voltage	$V_{SS}-0.3V$ to $V_{DD}+0.3V$	Operating Temperature	$-40^{\circ}C$ to $85^{\circ}C$
I_{OL} Total	300mA	I_{OH} Total	-200mA
Total Power Dissipation	500mW		

Note: These are stress ratings only. Stresses exceeding the range specified under "Absolute Maximum Ratings" may cause substantial damage to the device. Functional operation of this device at other conditions beyond those listed in the specification is not implied and prolonged exposure to extreme conditions may affect device reliability.

D.C. Characteristics
 $T_a=25^{\circ}C$

Symbol	Parameter	Test Conditions		Min.	Typ.	Max.	Unit
		V_{DD}	Conditions				
V_{DD}	Operating Voltage	—	$f_{SYS}=4MHz$	2.2	—	5.5	V
		—	$f_{SYS}=8MHz$	3.3	—	5.5	
		—	$f_{SYS}=32768Hz$	2.2	—	5.5	
I_{DD1}	Operating Current (Crystal OSC, RC OSC)	3V	No load, $f_{SYS}=4MHz$	—	1.2	2	mA
		5V		—	2.5	5	
I_{DD2}	Operating Current (Crystal OSC, RC OSC)	5V	No load, $f_{SYS}=8MHz$	—	4	8	mA
I_{DD3}	Operating Current (*RTC OSC Enabled, Crystal OSC Disabled, RC OSC Disabled)	3V	No load, $f_{SYS}=32768Hz$	—	20	40	μA
		5V		—	50	100	
I_{STB1}	Standby Current (WDT OSC, *RTC OSC Enabled)	3V	No load, system HALT	—	3	5	μA
		5V		—	6	10	
I_{STB2}	Standby Current (WDT OSC Disabled, *RTC OSC Enabled)	3V	No load, system HALT	—	1	2	μA
		5V		—	2	4	
I_{STB3}	Standby Current (WDT OSC Enabled, RTC OSC Disabled)	3V	No load, system HALT	—	2	4	μA
		5V		—	4	8	
I_{STB4}	Standby Current (WDT OSC, RTC OSC Disabled)	3V	No load, system HALT	—	—	1	μA
		5V		—	—	2	
V_{IL1}	Input Low Voltage for I/O Ports	—	—	0	—	$0.3V_{DD}$	V
V_{IH1}	Input High Voltage for I/O Ports	—	—	$0.7V_{DD}$	—	V_{DD}	V
V_{IL2}	Input Low Voltage (\overline{RES})	—	—	0	—	$0.4V_{DD}$	V
V_{IH2}	Input High Voltage (\overline{RES})	—	—	$0.9V_{DD}$	—	V_{DD}	V
V_{LVR}	Low Voltage Reset	—	2.1V option	1.98	2.1	2.22	V
			3.15V option	2.98	3.15	3.32	V
			4.2V option	3.98	4.2	4.42	V
I_{OL1}	I/O Port Sink Current for PA	3V	$V_{OL}=0.1V_{DD}$	4	8	—	mA
		5V		10	20	—	
I_{OL2}	I/O Port Sink Current for PD, PE	3V	$V_{OL}=0.1V_{DD}$	8	16	—	mA
		5V		20	40	—	

Symbol	Parameter	Test Conditions		Min.	Typ.	Max.	Unit
		V _{DD}	Conditions				
I _{OH1}	I/O Port Source Current for PA	3V	V _{OH} =0.9V _{DD}	-2	-4	—	mA
		5V		-5	-10	—	
I _{OH2}	I/O Port Source Current for PB, PC	3V	V _{OH} =0.9V _{DD}	-4	-8	—	mA
		5V		-10	-20	—	
R _{PH}	Pull-high Resistance	3V	—	20	60	100	kΩ
		5V		10	30	50	

Note: * RTC OSC in slow start oscillating

A.C. Characteristics

T_a=25°C

Symbol	Parameter	Test Conditions		Min.	Typ.	Max.	Unit
		V _{DD}	Conditions				
f _{SYS}	System Clock (Crystal OSC, RC OSC)	—	2.2V~5.5V	400	—	4000	kHz
		—	3.3V~5.5V	400	—	8000	
f _{TIMER}	Timer I/P Frequency	—	2.2V~5.5V	0	—	4000	kHz
		—	3.3V~5.5V	0	—	8000	
t _{WDTOSC}	Watchdog Oscillator Period	3V	—	45	90	180	μs
		5V	—	32	65	130	μs
t _{FSP1}	f _{SP} Time-out Period Clock Source from WDT	—	With prescaler (f _S /4096)	—	2 ²¹	—	t _{WDTOSC}
t _{FSP2}	f _{SP} Time-out Period Clock Source from RTC Oscillator	—	With prescaler (f _S /4096)	—	2 ²¹	—	*t _{RTC}
t _{RES}	External Reset Low Pulse Width	—	—	1	—	—	μs
t _{SST}	System Start-up Timer Period	—	Power-up or wake-up from HALT	—	1024	—	t _{SYS}
t _{LVR}	Low Voltage Width to Reset	—	—	0.25	1	2	ms
t _{INT}	Interrupt Pulse Width	—	—	1	—	—	μs

Note: t_{SYS}=1/f_{SYS}

*t_{RTC}≈30.5μs

Functional Description

Execution Flow

The system clock for the microcontroller is derived from a crystal oscillator or an RC oscillator or a RTC oscillator. The system clock is internally divided into four non-overlapping clocks. One instruction cycle consists of four system clock cycles.

Instruction fetching and execution are pipelined in such a way that a fetch takes an instruction cycle while decoding and execution takes the next instruction cycle. However, the pipelining scheme causes each instruction to be effectively executed in a cycle. If an instruction changes the program counter, two cycles are required to complete the instruction.

Program Counter – PC

The program counter (PC) controls the sequence in which the instructions stored in the program ROM are executed and its contents specify a full range of program memory.

After accessing a program memory word to fetch an instruction code, the contents of the program counter are

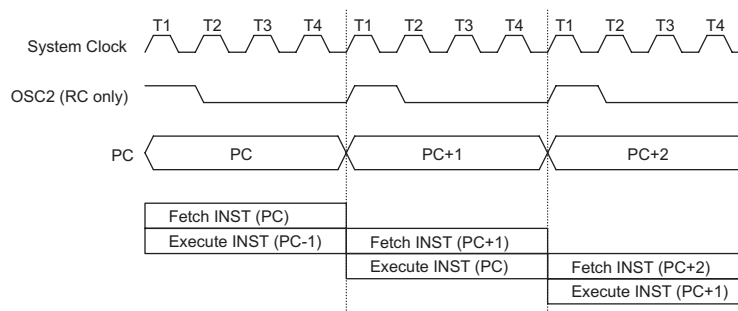
incremented by one. The program counter then points to the memory word containing the next instruction code.

When executing a jump instruction, conditional skip execution, loading PCL register, subroutine call or return from subroutine, initial reset, internal interrupt, external interrupt or return from interrupt, the PC manipulates the program transfer by loading the address corresponding to each instruction.

The conditional skip is activated by instructions. Once the condition is met, the next instruction, fetched during the current instruction execution, is discarded and a dummy cycle replaces it to get the proper instruction. Otherwise proceed with the next instruction.

The lower byte of the program counter (PCL) is a readable and writeable register (06H). Moving data into the PCL performs a short jump. The destination will be within 256 locations.

When a control transfer takes place, an additional dummy cycle is required.



Execution Flow

Mode	Program Counter											
	*11	*10	*9	*8	*7	*6	*5	*4	*3	*2	*1	*0
Initial Reset	0	0	0	0	0	0	0	0	0	0	0	0
External Interrupt	0	0	0	0	0	0	0	0	0	1	0	0
Timer/Event Counter 0 Overflow	0	0	0	0	0	0	0	0	1	0	0	0
Timer/Event Counter 1 Overflow	0	0	0	0	0	0	0	0	1	1	0	0
Skip	Program Counter+2											
Loading PCL	*11	*10	*9	*8	@7	@6	@5	@4	@3	@2	@1	@0
Jump, Call Branch	#11	#10	#9	#8	#7	#6	#5	#4	#3	#2	#1	#0
Return from Subroutine	S11	S10	S9	S8	S7	S6	S5	S4	S3	S2	S1	S0

Program Counter

Note: *11~*0: Program counter bits

S11~S0: Stack register bits

#11~#0: Instruction code bits

@7~@0: PCL bits

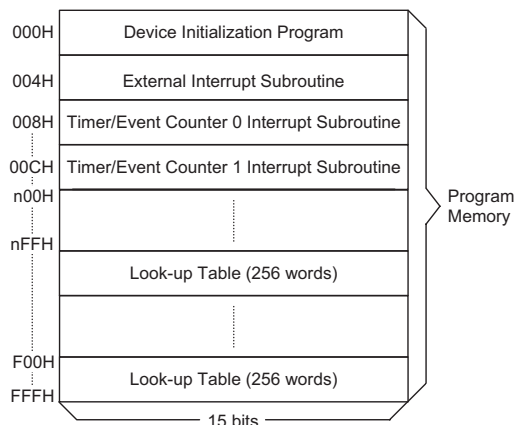
Program Memory – ROM

The program memory is used to store the program instructions which are to be executed. It also contains data, table, and interrupt entries, and is organized into 4096×15 bits, addressed by the program counter and table pointer.

Certain locations in the program memory are reserved for special usage:

- Location 000H
This area is reserved for program initialisation. After a chip reset, the program always begins execution at location 000H.
- Location 004H
This area is reserved for the external interrupt service program. If the $\overline{\text{INT}}$ input pin is activated, the interrupt is enabled and the stack is not full, the program begins execution at location 004H.
- Location 008H
This area is reserved for the timer/event counter 0 interrupt service program. If a timer interrupt results from a timer/event counter 0 overflow, and if the interrupt is enabled and the stack is not full, the program begins execution at location 008H.
- Location 00CH
This area is reserved for the timer/event counter 1 interrupt service program. If a timer interrupt results from a timer/event counter 1 overflow, and if the interrupt is enabled and the stack is not full, the program begins execution at location 00CH.
- Table location
Any location in the program memory space can be used as look-up tables. The instructions "TABRDC [m]" (the current page, one page=256 words) and "TABRDL [m]" (the last page) transfer the contents of the lower-order byte to the specified data memory, and the higher-order byte to TBLH (08H). Only the destination of the lower-order byte in the table is well-defined, the other bits of the table word are transferred to the lower portion of the TBLH, and the remaining 2-bit words are read as "0". The Table Higher-order byte register (TBLH) is read only. The table pointer (TBLP) is a read/write register (07H), which indicates the table location. Before accessing the table, the location must be placed in the TBLP. The

TBLH is read only and cannot be restored. If the main routine and the ISR (Interrupt Service Routine) both employ the table read instruction, the contents of the TBLH in the main routine are likely to be changed by the table read instruction used in the ISR, therefore errors may occur. In other words, using the table read instruction in the main routine and the ISR simultaneously should be avoided. However, if the table read instruction has to be applied in both the main routine and the ISR, the interrupt should be disabled prior to using the table read instruction. It should not be enabled until the TBLH has been backed up. All table related instructions require two cycles to complete the operation. These areas may function as normal program memory depending upon the requirements.


Program Memory
Stack Register – STACK

This is a special part of the memory which is used to save the contents of the program counter only. The stack is organized into 6 levels and is neither part of the data nor part of the program space, and is neither readable nor writeable. The activated level is indexed by the stack pointer (SP) and is neither readable nor writeable. At a subroutine call or interrupt acknowledge signal, the contents of the program counter are pushed onto the stack. At the end of a subroutine or an interrupt routine, signaled by a return instruction, RET or RETI, the program counter is restored to its previous value from the stack. After a chip reset, the stack pointer will point to the top of the stack.

Instruction	Table Location											
	*11	*10	*9	*8	*7	*6	*5	*4	*3	*2	*1	*0
TABRDC [m]	P11	P10	P9	P8	@7	@6	@5	@4	@3	@2	@1	@0
TABRDL [m]	1	1	1	1	@7	@6	@5	@4	@3	@2	@1	@0

Table Location

Note: *11~*0: Table location bits

P11~P8: Current program counter bits

@7~@0: Table pointer bits

If the stack is full and a non-masked interrupt takes place, the interrupt request flag will be recorded but the acknowledge signal will be inhibited. When the stack pointer is decremented, by RET or RET, the interrupt will be serviced. This feature prevents stack overflow allowing the programmer to use the structure more easily. In a similar case, if the stack is full and a "CALL" is subsequently executed, a stack overflow occurs and the first entry will be lost. Only the most recent 6 return addresses are stored.

Data Memory – RAM

The data memory is divided into two functional groups, namely, function registers and general purpose data memory (192x8). Most are read/write, but some are read only.

All of the data memory areas can handle arithmetic, logic, increment, decrement and rotate operations directly. Except for some dedicated bits, each bit in the data memory can be set and reset by "SET [m].i" and "CLR [m].i". They are also indirectly accessible through the memory pointer registers.

Indirect Addressing Register

Location 00H and 02H are indirect addressing registers that are not physically implemented. Any read/write operation of [00H] ([02H]) will access the data memory pointed to by MP0 (MP1). Reading location 00H (02H) itself indirectly will return the result "00H". Writing indirectly results in no operation.

The memory pointer registers, MP0 and MP1, are 8-bit registers.

Accumulator

The accumulator is closely related to ALU operations. It is also mapped to location 05H of the data memory and can carry out immediate data operations. The data movement between two data memory locations must pass through the accumulator.

Arithmetic and Logic Unit – ALU

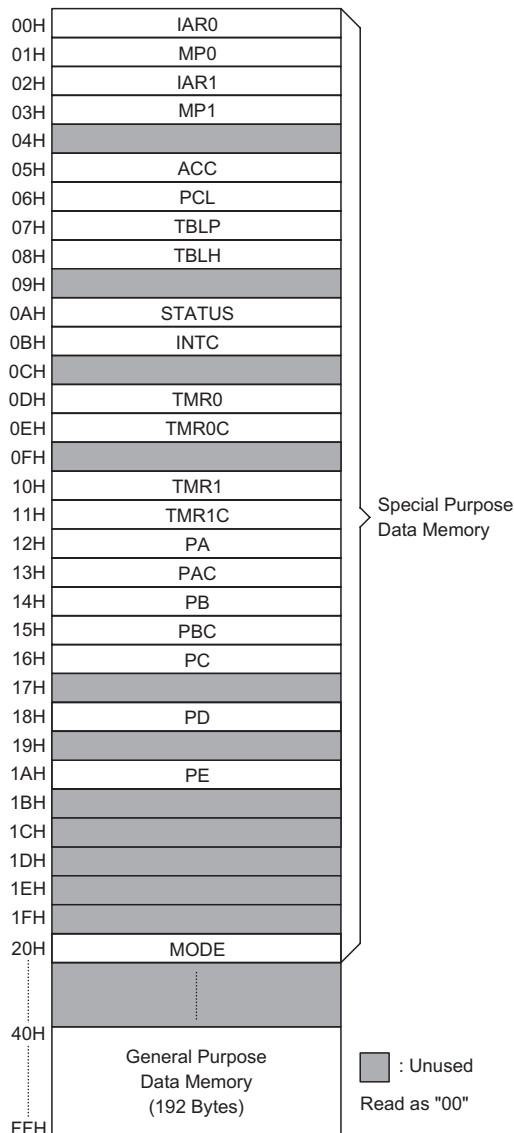
This circuit performs 8-bit arithmetic and logic operations. The ALU provides the following functions:

- Arithmetic operations (ADD, ADC, SUB, SBC, DAA)
- Logic operations (AND, OR, XOR, CPL)
- Rotation (RL, RR, RLC, RRC)
- Increment and Decrement (INC, DEC)
- Branch decision (SZ, SNZ, SIZ, SDZ)

The ALU not only saves the results of a data operation but also changes the status register.

Status Register – STATUS

This 8-bit register (0AH) contains the zero flag (Z), carry flag (C), auxiliary carry flag (AC), overflow flag (OV), power down flag (PDF), and watchdog time-out flag



RAM Mapping

(TO). It also records the status information and controls the operation sequence.

With the exception of the TO and PDF flags, bits in the status register can be altered by instructions like most other registers. Any data written into the status register will not change the TO or PDF flag. In addition, operations related to the status register may give different results from those intended. The TO flag can be affected only by a system power-up, a WDT time-out or executing the "CLR WDT" or "HALT" instruction. The PDF flag can be affected only by executing the "HALT" or "CLR WDT" instruction or during a system power-up.

The Z, OV, AC and C flags generally reflect the status of the latest operations.

Bit No.	Label	Function
0	C	C is set if an operation results in a carry during an addition operation or if a borrow does not take place during a subtraction operation, otherwise C is cleared. C is also affected by a rotate through carry instruction.
1	AC	AC is set if an operation results in a carry out of the low nibbles in addition or no borrow from the high nibble into the low nibble in subtraction, otherwise AC is cleared.
2	Z	Z is set if the result of an arithmetic or logic operation is zero, otherwise Z is cleared.
3	OV	OV is set if an operation results in a carry into the highest-order bit but not a carry out of the highest-order bit, or vice versa, otherwise OV is cleared.
4	PDF	PDF is cleared by system power-up or executing the "CLR WDT" instruction. PDF is set by executing the "HALT" instruction.
5	TO	TO is cleared by a system power-up or executing the "CLR WDT" or "HALT" instruction. TO is set by a WDT time-out.
6, 7	—	Unused bit, read as "0"

STATUS (0AH) Register

In addition, on entering the interrupt sequence or executing the subroutine call, the status register will not be automatically pushed onto the stack. If the contents of the status register are important and if the subroutine can corrupt the status register, precautions must be taken to save it properly.

Interrupt

The device provides an external interrupt and internal timer/event counter interrupt. The Interrupt Control Register (INTC;0BH) contains the interrupt control bits to set the enable or disable bits and the interrupt request flags.

Once an interrupt subroutine is serviced, all the other interrupts will be blocked (by clearing the EMI bit). This scheme may prevent any further interrupt nesting. Other interrupt requests may occur during this interval but only the interrupt request flag is recorded. If a certain interrupt requires servicing within the service routine, the EMI bit and the corresponding bit of the INTC may be set to allow interrupt nesting. If the stack is full, the interrupt request will not be acknowledged, even if the related interrupt is enabled, until the SP is decremented. If immediate service is desired, the stack must be prevented from becoming full.

All interrupts have a wake-up capability. When an interrupt is serviced, a control transfer occurs by pushing the program counter onto the stack, followed by a branch to a subroutine at specified location in the program memory. Only the program counter is pushed onto the stack. If the contents of the register or status register are altered by the interrupt service program, an action which may corrupt the desired control sequence, the contents should be saved in advance.

An external interrupt is triggered either on a high to low or low to high transition on the $\overline{\text{INT}}$ pin. The related interrupt request flag, EIF; bit 4 of the INTC register will then be set. When the interrupt is enabled, the stack is not full and the external interrupt is active, a subroutine call to location 04H will occur. The interrupt request flag (EIF) and EMI bits will be cleared to disable other interrupts.

The internal timer/event counter 0 interrupt is initialised by setting the timer/event counter 0 interrupt request flag, T0F; bit 5 of the INTC register. This will be caused by a timer 0 overflow. When the interrupt is enabled, the stack is not full and the T0F bit is set, a subroutine call to location 08H will occur. The related interrupt request flag, T0F, will then be reset and the EMI bit cleared to disable further interrupts.

Bit No.	Label	Function
0	EMI	Controls the master (global) interrupt (1=enable; 0=disable)
1	EEI	Controls the external interrupt (1=enable; 0=disable)
2	ET0I	Controls the Timer/Event Counter 0 interrupt (1=enable; 0=disable)
3	ET1I	Controls the Timer/Event Counter 1 interrupt (1=enable; 0=disable)
4	EIF	External interrupt request flag (1=active; 0=inactive)
5	T0F	Internal Timer/Event Counter 0 request flag (1=active; 0=inactive)
6	T1F	Internal Timer/Event Counter 1 request flag (1=active; 0=inactive)
7	—	Unused bit, read as "0"

INTC (0BH) Register

The internal timer/event counter 1 interrupt is initialised by setting the timer/event counter 1 interrupt request flag, T1F; bit 6 of the INTC register. This will be caused by a timer 1 overflow. When the interrupt is enabled, the stack is not full and the T1F bit is set, a subroutine call to location 0CH will occur. The related interrupt request flag, T1F, will then be reset and the EMI bit cleared to disable further interrupts.

During the execution of an interrupt subroutine, other interrupt acknowledge signals are held until the "RETI" instruction is executed or the EMI bit and the related interrupt control bit are set to 1, if the stack is not full. To return from the interrupt subroutine, a "RET" or "RETI" instruction may be invoked. RETI will set the EMI bit to enable an interrupt service, but RET will not.

Interrupts, occurring in the interval between the rising edges of two consecutive T2 pulses, will be serviced on the latter of the two T2 pulses, if the corresponding interrupts are enabled. In the case of simultaneous requests the following table shows the priority that is applied. These can be masked by resetting the EMI bit.

Interrupt Source	Priority	Vector
External Interrupt	1	04H
Timer/Event Counter 0 Overflow	2	08H
Timer/Event Counter 1 Overflow	3	0CH

The timer/event counter 0 interrupt request flag (T0F), The timer/event counter 1 interrupt request flag (T1F), external interrupt request flag (EIF); enable timer/event counter 0 interrupt bit (ET0I), enable timer/event counter 1 interrupt bit (ET1I), enable external interrupt bit (EEI), enable master interrupt bit (EMI) constitute an interrupt control register (INTC) which is located at 0BH in the data memory. EMI, EEI, ET0I, ET1I are used to control the enabling/disabling of interrupts. These bits prevent the requested interrupt from being serviced. Once the interrupt request flags, T0F, T1F and EIF, are set, they will remain in the INTC register until the interrupts are serviced or cleared by a software instruction.

It is recommended that a program does not use the "CALL subroutine" within the interrupt subroutine. Interrupts often occur in an unpredictable manner or need to be serviced immediately in some applications. If only one stack is left and enabling the interrupt is not well controlled, the original control sequence will be damaged if a "CALL" is executed in the interrupt subroutine.

Oscillator Configuration

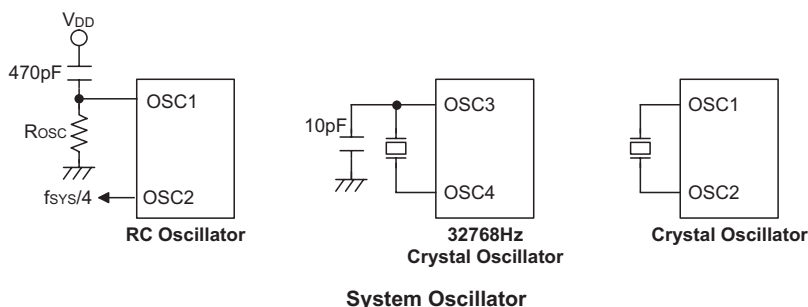
These devices provide three types of system oscillator circuits, an RC oscillator, an RC oscillator and a 32768Hz crystal oscillator, the choice crystal or RC oscillator is determined by configuration option.

If an RC oscillator is used, an external resistor, whose resistance must range from 130kΩ to 2.5MΩ, should be connected between OSC1 and VSS. The RC oscillator provides the most cost effective solution, however, the frequency of oscillation may vary with VDD, temperatures and the chip itself due to process variations. It is, therefore, not suitable for timing sensitive operations where an accurate oscillator frequency is desired.

The other oscillator circuit is designed for the real time clock. For this device, only a 32768Hz crystal oscillator can be used. The crystal should be connected between OSC3 and OSC4.

The RTC oscillator circuit can be controlled to start up quickly by setting the "QOSC" bit (bit 4 of mode). It is recommended to turn on the quick oscillating function at power on until the RTC oscillator is stable, and then turn it off after 2 seconds to reduce power consumption.

The WDT oscillator is a free running on-chip RC oscillator, and requires no external components. Although when the system enters the power down mode, the system clock stops, the WDT oscillator will keep running with a period of approximately 65μs at 5V. The WDT oscillator can be disabled by a configuration option to conserve power.



Watchdog Timer – WDT

The WDT clock source is implemented by a internal WDT OSC, the external 32768Hz (f_{RTC}) or the instruction clock (system clock divided by 4), the choice of which is determined by configuration option. This timer is designed to prevent software malfunctions or sequences jumping to an unknown location with unpredictable results. The Watchdog can be disabled by a configuration option. If the Watchdog Timer is disabled, all the executions related to WDT will result in no operation.

If the device operates in a noisy environment, using the on-chip WDT OSC or 32768Hz crystal oscillator is strongly recommended.

When the WDT clock source is selected, it will be first divided by 16 (4-stage), and then divided by the TMR0C prescaler (8-stage), after that, divided by 512 (9-stage) to get the nominal time-out period. By using the TMR0C prescaler, longer time-out periods can be realized. Writing data to PSC2, PSC1, PSC0 can give different time-out periods. The WDT OSC period is 65 μ s. This time-out period may vary with temperature, VDD and process variations. The WDT OSC keep running in any operation mode.

If the instruction clock (system clock/4) is selected as the WDT clock source, the WDT operates in the same manner.

If the WDT clock source is the 32768Hz, the WDT also operates in the same manner.

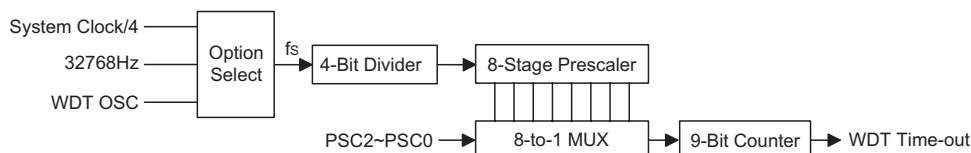
The WDT time-out under normal mode or slow mode will initialize a "chip reset" and set the status bit "TO". But in the idle mode, that is after a HALT instruction is executed, the time-out will initialize a "warm reset" and only the program counter and stack pointer are reset to 0.

To clear the WDT contents (not including the 4-bit divider and the 8-stage prescaler), three methods are adopted; an external reset (a low level to \overline{RES} pin), software instruction and a "HALT" instruction.

The software instruction includes a "CLR WDT" instruction, and the instruction pair "CLR WDT1" and "CLR WDT2". Of these two types of instruction, only one can be active depending on the configuration option "WDT" instruction. If the "CLR WDT" is selected (i.e. One clear instruction), any execution of the CLR WDT instruction will clear the WDT. In the case that "CLR WDT1" and "CLR WDT2" are chosen (i.e. two clear instructions), these two instructions must be executed to clear the WDT; otherwise, the WDT may reset the chip as a result of a time-out.

Operation Mode

The device support two system clocks and three operation modes. The system clock can be either an RC/XTAL oscillator or a 32768Hz RTC. The three operational modes are, Normal, Slow, or Idle mode. These are all selected by software.


Watchdog Timer

Bit No.	Label	Function
0	MODS	System clock high/low mode select bit 0= RC/XTAL system clock select 1= 32768Hz system clock select and RC/XTAL system clock stop Note that if the 32768Hz system clock is selected, then the WDT clock source configuration option must also select the 32768Hz oscillator as its clock source, otherwise unpredictable system operation may occur.
1, 2, 3	—	Unused bit, read as "0"
4	QOSC	32768Hz OSC quick start-up 0=quick start; 1=slow start
5, 6, 7	—	Unused bit, read as "0"

MODE (20H) Register

Mode	System Clock	HALT Instruction	MODS	RC Oscillator	32768Hz
Normal	RC/XTAL oscillator	No Executed	0	On	On
Slow	32768Hz	No Executed	1	Off	On
Idle	HALT	Be executed	x	Off	On

Operation Mode

Power Down Operation – HALT

The HALT mode is entered using the "HALT" instruction and results in the following:

- The system oscillator will be turned off but the WDT remains operational if its clock source is the internal WDT oscillator.
- The contents of the on chip RAM and registers remain unchanged.
- The WDT will be cleared. The WDT will resume counting, if the WDT clock source is the internal WDT oscillator.
- All of the I/O ports will maintain their original status.
- The PDF flag will be set and the TO flag will be cleared.

The system can leave the HALT mode by means of an external reset, an interrupt, an external falling edge signal on port A or a WDT overflow. An external reset causes a device initialization and the WDT overflow performs a "warm reset". After the TO and PDF flags are examined, the reason behind the reset can be determined. The PDF flag is cleared by a system power-up or executing the "CLR WDT" instruction and is set when executing the "HALT" instruction. The TO flag is set if the WDT time-out occurs, and causes a wake-up that only resets the program counter and stack pointer, the other circuits remain in their original status.

The port A wake-up and interrupt methods can be considered as a continuation of normal execution. Each port A pin can be independently selected to wake up the device via configuration options. If awakened by an I/O port stimulus, the program will resume execution at the next instruction. If awakened by an interrupt, two sequences may occur. If the related interrupt is disabled or the interrupt is enabled but the stack is full, the program will resume execution at the next instruction. If the interrupt is enabled and the stack is not full, the regular interrupt response takes place. If an interrupt request flag is set to "1" before entering the HALT mode, the wake-up function of the related interrupt will be disabled. Once a wake-up event occurs, it takes 1024 system clock periods to resume normal operation. In other words, a dummy period will be inserted after a wake-up. If the wake-up results from an interrupt acknowledge signal, the actual interrupt subroutine execution will be delayed by one or more cycles. If the wake-up results in the next instruction execution, this will be executed immediately after the dummy period is finished.

To minimize power consumption, all the I/O pins should be carefully managed before entering the HALT status.

The RTC oscillator will keep running when the device is in the HALT mode, if the RTC oscillator is enabled.

Reset

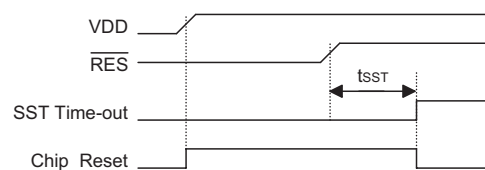
There are three ways in which a reset can occur:

- $\overline{\text{RES}}$ reset during normal operation
- $\overline{\text{RES}}$ reset during HALT
- WDT time-out reset during normal operation

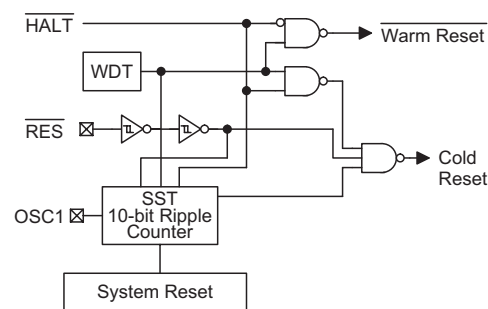
A the time-out during a HALT is different from the other chip reset conditions, since it can perform a "warm reset" that resets only the program counter and SP, leaving the other circuits in their original state. Some registers remain unchanged during other reset conditions. Most registers are reset to their "initial condition" when the reset conditions are met. By examining the PDF and TO flags, the program can distinguish between different "chip resets".

TO	PDF	RESET Conditions
0	0	$\overline{\text{RES}}$ reset during power-up
u	u	$\overline{\text{RES}}$ reset during normal operation
0	1	$\overline{\text{RES}}$ wake-up HALT
1	u	WDT time-out during normal operation
1	1	WDT wake-up HALT

Note: "u" stands for "unchanged"



Reset Timing Chart



Reset Configuration

To guarantee that the system oscillator is running and stable, the SST (System Start-up Timer) provides an extra delay of 1024 system clock pulses when the system reset (power-up, WDT time-out or $\overline{\text{RES}}$ reset) or when the system awakes from the HALT state.

When a system reset occurs, the SST delay is added during the reset period. Any wake-up from HALT will enable the SST delay.

An extra option load time delay is added during a system reset (power-up, WDT time-out at normal mode or $\overline{\text{RES}}$ reset).

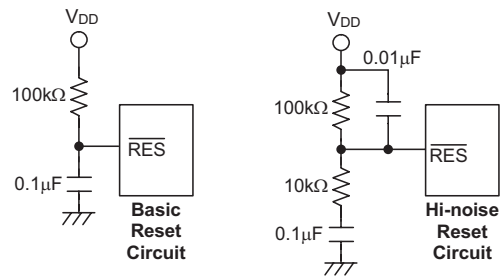
The functional unit chip reset status are shown below.

Program Counter	000H
Interrupt	Disable
Prescaler	Clear
WDT	Clear. After master reset, WDT begins counting
Timer/Event Counter	Off
Input/Output Ports	Input mode
Stack Pointer	Points to the top of the stack

The states of the registers are summarised in the table.

Register	Reset (Power On)	WDT Time-out (Normal Operation)	$\overline{\text{RES}}$ Reset (Normal Operation)	$\overline{\text{RES}}$ Reset (HALT)	WDT Time-out (HALT)*
MP0	xxxx xxxx	uuuu uuuu	uuuu uuuu	uuuu uuuu	uuuu uuuu
MP1	xxxx xxxx	uuuu uuuu	uuuu uuuu	uuuu uuuu	uuuu uuuu
ACC	xxxx xxxx	uuuu uuuu	uuuu uuuu	uuuu uuuu	uuuu uuuu
PCL	0000 0000	0000 0000	0000 0000	0000 0000	0000 0000
TBLP	xxxx xxxx	uuuu uuuu	uuuu uuuu	uuuu uuuu	uuuu uuuu
TBLH	--xx xxxx	--uu uuuu	--uu uuuu	--uu uuuu	--uu uuuu
STATUS	--00 xxxx	--1u uuuu	--uu uuuu	--01 uuuu	--11 uuuu
INTC	--00 -000	--00 -000	--00 -000	--00 -000	--uu -uuu
TMR0	xxxx xxxx	xxxx xxxx	xxxx xxxx	xxxx xxxx	uuuu uuuu
TMR0C	00-0 1000	00-0 1000	00-0 1000	00-0 1000	uu-u uuuu
TMR1	xxxx xxxx	xxxx xxxx	xxxx xxxx	xxxx xxxx	uuuu uuuu
TMR1C	0000 1000	0000 1000	0000 1000	0000 1000	uuuu uuuu
PA	1111 1111	1111 1111	1111 1111	1111 1111	uuuu uuuu
PAC	1111 1111	1111 1111	1111 1111	1111 1111	uuuu uuuu
PB	1111 1111	1111 1111	1111 1111	1111 1111	uuuu uuuu
PBC	1111 1111	1111 1111	1111 1111	1111 1111	uuuu uuuu
PC	0000 0000	0000 0000	0000 0000	0000 0000	uuuu uuuu
PD	1111 1111	1111 1111	1111 1111	1111 1111	uuuu uuuu
PE	1111 1111	1111 1111	1111 1111	1111 1111	uuuu uuuu
MODE	---0 ---0	---0 ---0	---0 ---0	---0 ---0	---u ---u

Note: "*" stands for "warm reset"
 "u" stands for "unchanged"
 "x" stands for "unknown"



Reset Circuit

Note: Most applications can use the Basic Reset Circuit as shown, however for applications with extensive noise, it is recommended to use the Hi-noise Reset Circuit.

Timer/Event Counter 0

Two Timer/event counters are implemented in the microcontroller. The timer/event counter 0 contains an 8-bit programmable count-up counter whose clock may be sourced from an external source or from the system clock/4 or f_{SP} .

The f_{SP} clock source is implemented by the WDT OSC, an external 32768Hz (f_{RTC}) or an instruction clock (system clock divided by 4), determined by configuration option. If one of these three source is selected, it will be first divided by 16 (4-stage), and then divided by the TMR0C prescaler (8-stage) to get an f_{SP} output period. By using the TMR0C prescaler, longer time-out periods can be realized. Writing data to P0SC2, P0SC1, P0SC0 can give different f_{SP} output periods.

Using internal clock sources, there are 2 reference time-bases for the timer/event counter 0. The internal clock source can be sourced from $f_{SYS}/4$ or f_{SP} via a configuration options. Using an external clock input allows the user to count external events, measure time intervals or pulse widths, or generate an accurate time base, while using the internal clock allows the user to generate an accurate time base.

There are two registers related to the timer/event counter 0; TMR0 ([0DH]) and TMR0C ([0EH]). Writing to TMR0 places the start value in the timer/event counter 0 preload register while reading the TMR0 register retrieves the contents of the timer/event counter 0. The TMR0C register is a timer/event counter 0 control register which defines some options.

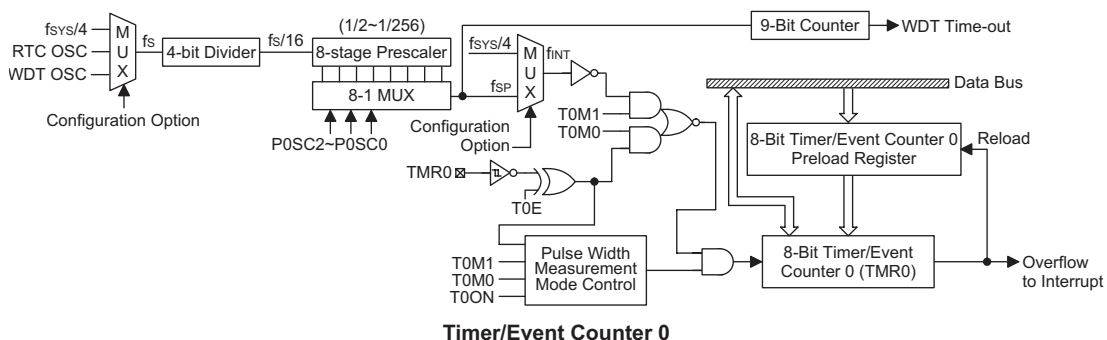
The TOM0, TOM1 bits define the operating mode. The event count mode is used to count external events, which means the clock source must comes from the external timer pin, TMR0. The timer mode functions as a normal timer with the clock source coming from the f_{INT} clock. The pulse width measurement mode can be used to count the duration of a high or low-level signal on the external timer pin, TMR0. The counting is based on the f_{INT} clock.

In the event count or timer mode, once the timer/event counter 0 is enabled, it begins counting from the value placed in the timer/event counter 0. From this initial value it will count up to a value of FFH. Once an overflow

occurs, the counter is reloaded from the timer/event counter 0 preload register and at the same time generates the interrupt request flag, TOF; bit 5 of the INTC.

In the pulse width measurement mode with the T0ON and T0E bits equal to one, once it goes from low to high (or high to low if the T0E bits is "0") it will start counting until the TMR0 returns to the original level and resets the T0ON. The measured result will remain in the timer/event counter 0 even if the activated transient occurs again. In other words, only one cycle measurement can be done. Until setting the T0ON, the cycle measurement will function again as long as it receives further transient pulse. Note that, in this operating mode, the timer/event counter 0 starts counting not according to the logic level but according to the transient edges. In the case of counter overflows, the counter is reloaded from the timer/event counter 0 preload register and issues the interrupt request just like the other two modes. To enable the counting operation, the timer 0 ON bit (T0ON; bit 4 of the TMR0C) should be set to "1". In the pulse width measurement mode, the T0ON will be cleared automatically after the measurement cycle is completed. But in the other two modes the T0ON can only be reset by instructions. The overflow of the timer/event counter 0 is one of the wake-up sources. No matter what the operation mode is, writing a "0" to ET01 can disable the corresponding interrupt services.

In the case of timer/event counter 0 OFF condition, writing data to the timer/event counter 0 preload register will also reload that data to the timer/event counter 0. But if the timer/event counter 0 is turned on, data written to it will only be kept in the timer/event counter 0 preload register. The timer/event counter 0 will still operate until overflow occurs (a timer/event counter 0 reloading will occur at the same time). When the timer/event counter 0 (reading TMR0) is read, the clock will be blocked to avoid errors. As clock blocking may result in a counting error, this must be taken into consideration by the programmer. The bit2~bit0 of the TMR0C can be used to define the pre-scaling stages of the internal clock sources of the timer/event counter 0. The definitions are as shown.



Bit No.	Label	Function
0 1 2	P0SC0 P0SC1 P0SC2	Define the prescaler stages, P0SC2, P0SC1, P0SC0= 000: $f_{SP}=f_S/32$ 001: $f_{SP}=f_S/64$ 010: $f_{SP}=f_S/128$ 011: $f_{SP}=f_S/256$ 100: $f_{SP}=f_S/512$ 101: $f_{SP}=f_S/1024$ 110: $f_{SP}=f_S/2048$ 111: $f_{SP}=f_S/4096$
3	T0E	Defines the TMR0 active edge of the timer/event counter: In Event Counter Mode (TOM1,TOM0)=(0,1): 1:count on falling edge; 0:count on rising edge In Pulse Width measurement mode (TOM1,TOM0)=(1,1): 1: start counting on the rising edge, stop on the falling edge; 0: start counting on the falling edge, stop on the rising edge
4	T0ON	To enable or disable timer 0 counting (0=disable; 1=enable)
5	—	Unused bit, read as "0"
6 7	TOM0 TOM1	Define the operating mode, TOM1, TOM0= 01=Event count mode (external clock) 10=Timer mode (internal clock) 11=Pulse width measurement mode 00=Unused

TMR0C (0EH) Register

Timer/Event Counter 1

Using the internal clock sources, there are 2 reference time-bases for timer/event counter 1. The internal clock source can be selected as coming from f_{SYS} or f_{RTC} (selected by T1S bit). The external clock input allows the user to count external events, measure time intervals or pulse widths, or to generate an accurate time base and PFD signals.

There are 2 registers related to timer/event counter 1; TMR1(10H), TMR1C(11H). In timer/event counter 1 counting mode (T1ON=1), writing TMR1 will only put the written data to pre-load register (8 bits). The timer/event counter 1 pre-load register is changed by each writing TMR1 operations. Reading TMR1 will also latch the TMR1 to the destination. The TMR1C is the timer/event counter 1 control register, which defines the operating mode, counting enable or disable and active edge.

The T1M0, T1M1 bits define the operating mode. The event count mode is used to count external events, which means the clock source comes from an external (TMR1) pin. The timer mode functions as a normal timer with the clock source coming from the f_{INT1} clock. The pulse width measurement mode can be used to count the high or low level duration of the external signal (TMR1). The counting is based on the f_{INT1} clock.

In the event count or timer mode, once the timer/event counter 1 starts counting, it will count from the current contents in the timer/event counter 1 to FFH. Once over-

flow occurs, the counter is reloaded from the timer/event counter 1 preload register and generates the corresponding interrupt request flag (T1F; bit 6 of INTC) at the same time.

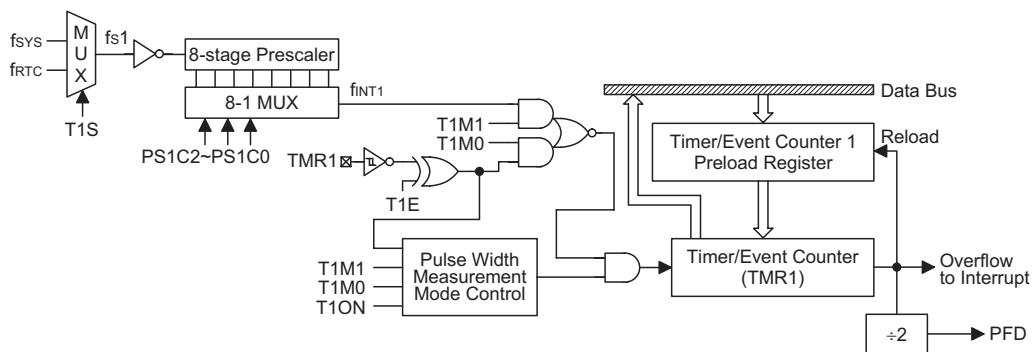
In pulse width measurement mode with the T1ON and T1E bits are equal to one, once the TMR1 has received a transition from low to high (or high to low if the T1E bit is 0) it will start counting until the TMR1 returns to the original level and reset the T1ON. The measured result will remain in the timer/event counter 1 even if the activated transition occurs again. In other words, only one cycle measurement can be done. Until setting the T1ON, the cycle measurement will function again as long as it receives further transition pulse. Note that, in this operating mode, the timer/event counter 1 starts counting not according to the logic level but according to the transition edges. In the case of counter overflows, the counter 1 is reloaded from the timer/event counter 1 pre-load register and issues the interrupt request just like the other two modes.

To enable the counting operation, the timer ON bit(T1ON; bit 4 of TMR1C) should be set to 1. In the pulse width measurement mode, the T1ON will be cleared automatically after the measurement cycle is complete. But in the other two modes the T1ON can only be reset by instructions. The overflow of the timer/event counter 1 is one of the wake-up sources. No matter what the operation mode is, writing a 0 to ET1I can disabled the corresponding interrupt service.

In the case of timer/event counter 1 OFF condition, writing data to the timer/event counter 1 pre-load register will also load the data to timer/event counter 1. But if the timer/event counter 1 is turned on, data written to the timer/event counter 1 will only be kept in the timer/event counter 1 pre-load register. The timer/event counter 1 will still operate until the overflow occurs (a timer/event counter 1 reloading will occur at the same time).

When the timer/event counter 1 (reading TMR1) is read, the clock will be blocked to avoid errors. As this may results in a counting error, this must be taken into consideration by the programmer.

The bit 0~2 of the TMR1C can be used to define the pre-scaling stages of the internal clock sources of timer/event counter 1. The definitions are as shown.



Timer/Event Counter 1

Bit No.	Label	Function
0 1 2	P1SC0 P1SC1 P1SC2	Define the prescaler stages, P1SC2, P1SC1, P1SC0= 000: $f_{INT1} = f_{S1} / 2$ 001: $f_{INT1} = f_{S1} / 4$ 010: $f_{INT1} = f_{S1} / 8$ 011: $f_{INT1} = f_{S1} / 16$ 100: $f_{INT1} = f_{S1} / 32$ 101: $f_{INT1} = f_{S1} / 64$ 110: $f_{INT1} = f_{S1} / 128$ 111: $f_{INT1} = f_{S1} / 256$
3	T1E	Defines the TMR1 active edge of the timer/event counter: In Event Counter Mode (T1M1, T1M0)=(0,1): 1: count on falling edge; 0: count on rising edge In Pulse Width measurement mode (T1M1, T1M0)=(1,1): 1: start counting on the rising edge, stop on the falling edge; 0: start counting on the falling edge, stop on the rising edge
4	T1ON	To enable or disable timer 1 counting (0=disable; 1=enable)
5	T1S	Select clock source of TMR1 (0= f_{SYS} ; 1= f_{RTC})
6 7	T1M0 T1M1	Define the operating mode, T1M1, T1M0= 01=Event count mode (external clock) 10=Timer mode (internal clock) 11=Pulse width measurement mode 00=Unused

TMR1C (11H) Register

Input/Output Ports

There are 16 bidirectional input/output (PA, PB) lines and 8 PMOS (PC), 16 NMOS (PD, PE) output lines in the microcontroller, labeled from PA to PE, which are mapped to the data memory of [12H], [14H], [16H], [18H] and [1AH] respectively. All pins on PA~PB can be used for both input and output operations.

For the input operation, these ports are non-latching, that is, the inputs must be ready at the T2 rising edge of instruction "MOV A,[m]" (m=12H, 14H). For output operation, all the data is latched and remains unchanged until the output latch is rewritten.

The PA and PB have their own control registers (PAC, PBC) to control the input/output configuration. These two control registers are mapped to locations 13H and 15H. CMOS/PMOS output or Schmitt trigger input with structures can be reconfigured dynamically under software control. The control registers specifies which pin are set as input and which are set as outputs. To setup a pin as an input the corresponding bit of the control register must be set high, for an output it must be set low.

The PC can be used for output operation only. Resetting its output register to low will effectively places its PMOS output transistor in high impedance state. Setting output register to high will force PC to output high state.

The external interrupt pin \overline{INT} is pin-shared with output pin PD0.

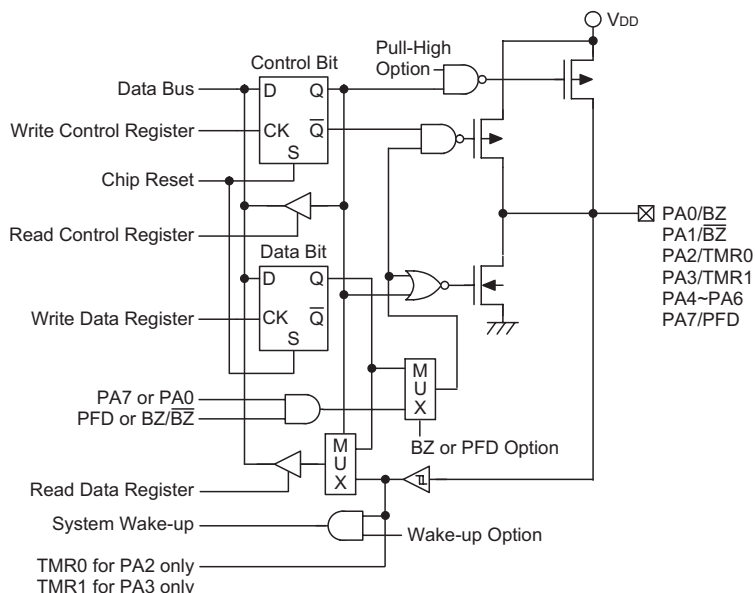
The PD and PE can be used for output operation only. Setting its output register high which effectively places its NMOS output transistor in high impedance state. Resetting output register to low will force to output low state.

After a chip reset, these input/output lines remain at high levels or floating state (depending on the pull-high options). Each bit of these input/output latches can be set or cleared by "SET [m].i" and "CLR [m].i" (m=12H, 14H, 16H, 18H or 1AH) instructions.

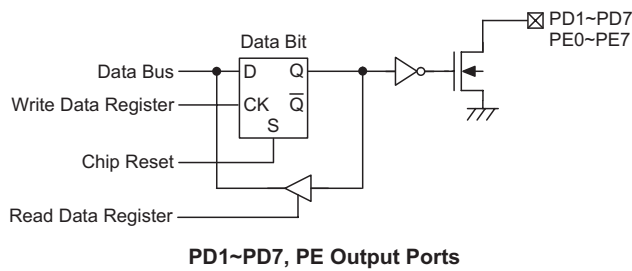
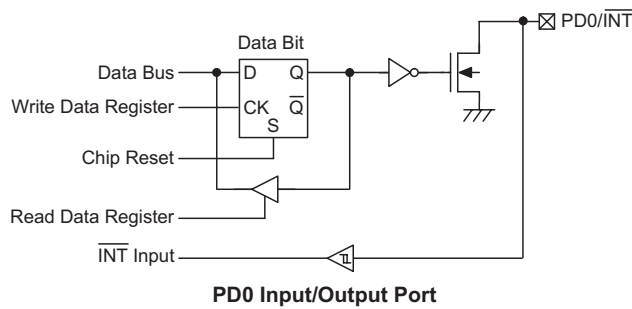
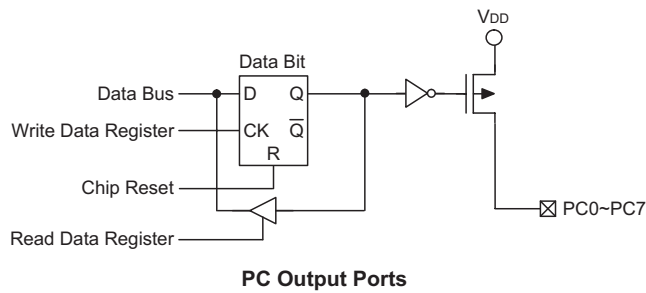
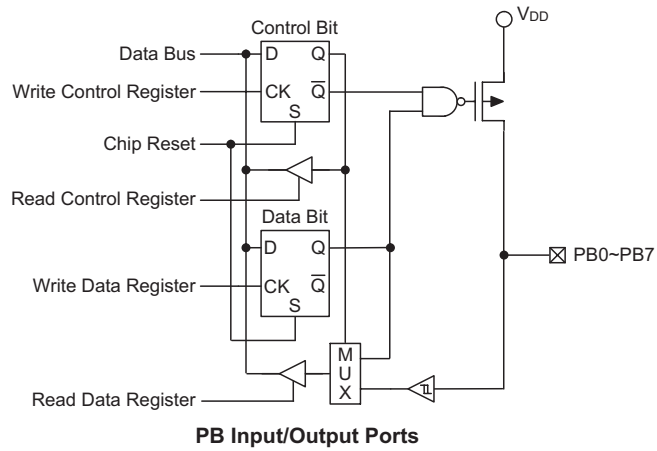
Some instructions first input data and then follow the output operations. For example, "SET [m].i", "LR [m].i", "CPL [m]", "CPLA [m]" read the entire port states into the CPU, execute the defined operations (bit-operation), and then write the results back to the latches or the accumulator.

Each line of port A has the capability of waking-up the device.

There is a pull-high option available for PA0~PA7 lines (port option). Once the pull-high option of an I/O line is selected, the I/O line have pull-high resistor. Otherwise, the pull-high resistor is absent. It should be noted that a non-pull-high I/O line operating in input mode will cause a floating state.



PA Input/Output Ports



Buzzer Output

The PA0 and PA1 are pin-shared with BZ and \overline{BZ} signal, respectively. If the BZ/ \overline{BZ} option is selected, the output signal in output mode of PA0/PA1 will be the buzzer signal generated by Multi-function timer. The input mode is always remained in its original functions. Once the BZ/ \overline{BZ} option is selected, the buzzer output signals are controlled by the PA0 data register only.

The I/O functions of PA0/PA1 are shown below.

PAC Register PAC0	PAC Register PAC1	PA Data Register PA0	PA Data Register PA1	Output Function
0	0	1	x	PA0=BZ, PA1= \overline{BZ}
0	0	0	x	PA0=0, PA1=0
0	1	1	x	PA0=BZ, PA1=input
0	1	0	x	PA0=0, PA1=input
1	0	x	D	PA0=input, PA1=0
1	1	x	x	PA0=input, PA1=input

Note: "x" stands for don't care
 "D" stands for Data "0" or "1"

PFD Output

The PA7 is pin-shared with the PFD signal. If the PFD option is selected, the output signal in output mode of PA7 will be the PFD signal generated by timer/event counter 1 overflow signal. The input mode is always remaining its original functions. Once the PFD option is selected, the PFD output signal is controlled by PA7 data register only. The I/O functions of PA7 are shown below.

I/O Mode	I/P (Normal)	O/P (Normal)	I/P (PFD)	O/P (PFD)
PA7	Logical Input	Logical Output	Logical Input	PFD (Timer on)

Note: The PFD frequency is the timer/event counter 1 overflow frequency divided by 2.

The definitions of the PFD control signal and PFD output frequency are listed in the following table.

Timer	Timer Preload Value	PA7 Data Register	PA7 Pad State	PFD Frequency
OFF	X	0	0	X
OFF	X	1	U	X
ON	N	0	0	X
ON	N	1	PFD	$f_{TMR1}/[2 \times (M-N)]$

Note: "X" stands for unused
 "U" stands for unknown
 "M" is "65536" for PFD
 "N" is the preload value for the timer/event counter 1
 " f_{TMR1} " is input clock frequency for timer/event counter 1

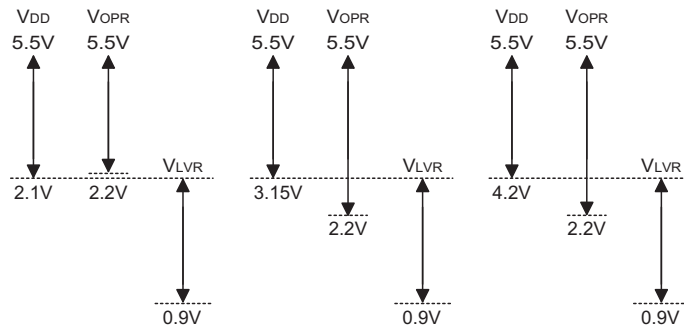
Low Voltage Reset – LVR

The microcontroller provides a low voltage reset circuit in order to monitor the supply voltage of the device. If the supply voltage of the device is within the range 0.9V~V_{LVR}, such as changing a battery, the LVR will automatically reset the device internally.

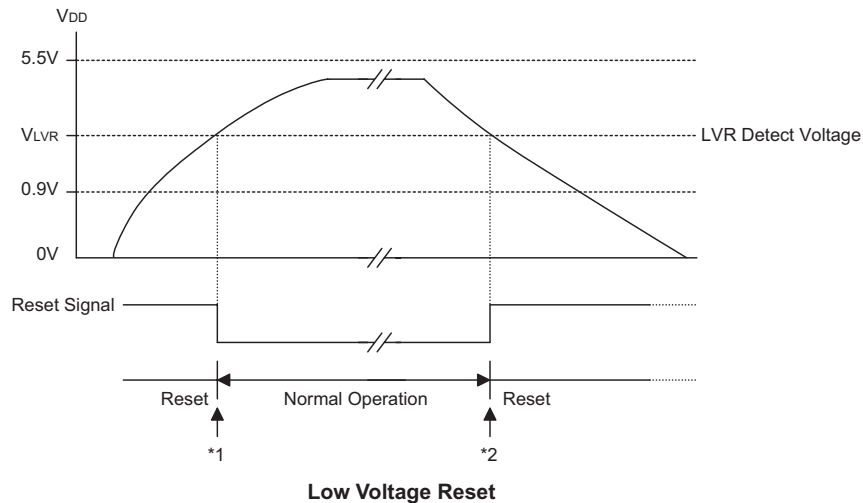
The LVR includes the following specifications:

- The low voltage (0.9V~V_{LVR}) has to remain in their original state for more than 1ms. If the low voltage state does not exceed 1ms, the LVR will ignore it and do not perform a reset function.
- The LVR uses the "OR" function with the external RES signal to perform a chip reset.

The relationship between V_{DD} and V_{LVR} is shown below.



Note: V_{OPR} is the voltage range for proper chip operation at 4MHz system clock.



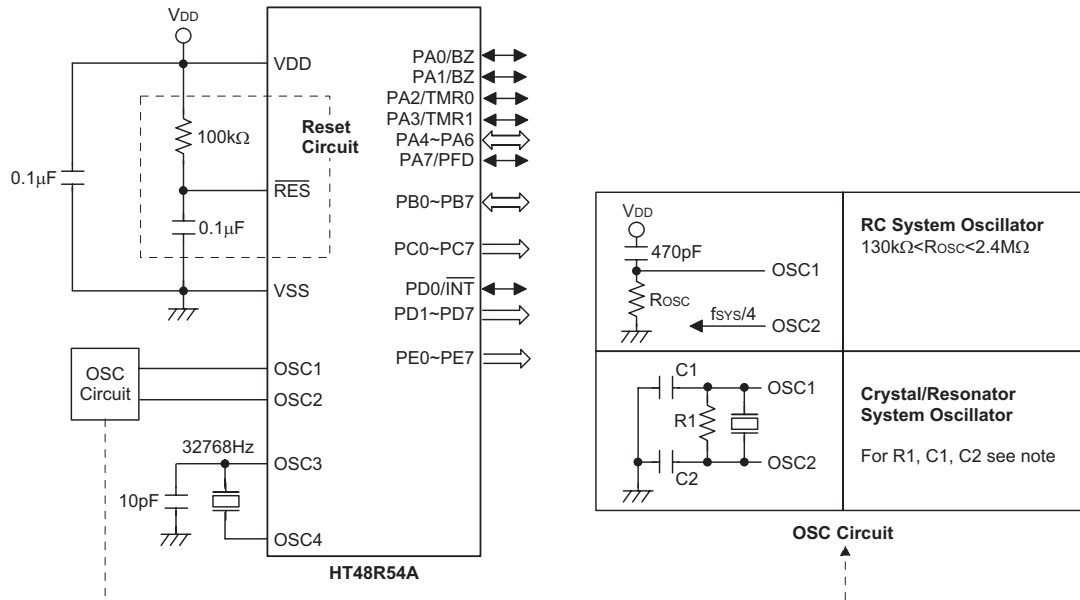
Note: *1: To make sure that the system oscillator has stabilized, the SST provides an extra delay of 1024 system clock pulses before entering the normal operation.

*2: Since a low voltage has to be maintained for more than 1ms, therefore a 1ms delay is provided before entering the reset mode.

Options

The following table shows all kinds of options in the microcontroller. All of the options must be defined to ensure having a proper functioning system.

Items	Options
1	OSC type selection: RC or crystal
2	PA0~PA7 bit wake-up enable or disable (by bit)
3	PA pull-high enable or disable (by port)
4	WDT clock source: WDT oscillator or $f_{SYS}/4$ or 32768Hz oscillator
5	WDT enable or disable
6	CLRWDT instructions: 1 or 2 instructions
7	Timer/event counter 0 clock sources: $f_{SYS}/4$ or f_{SP}
8	LVR enable or disable
9	LVR voltage: 2.1V or 3.15V or 4.2V
10	Buzzer function: single BZ enable or both BZ and \overline{BZ} or both disable
11	Buzzer frequency: $f_S/2$, $f_S/4$, $f_S/8$, $f_S/16$
12	PA7: Normal I/O or PFD output

Application Circuits

Note: 1. Crystal/resonator system oscillators

For crystal oscillators, C1 and C2 are only required for some crystal frequencies to ensure oscillation. For resonator applications C1 and C2 are normally required for oscillation to occur. For most applications it is not necessary to add R1. However if the LVR function is disabled, and if it is required to stop the oscillator when V_{DD} falls below its operating range, it is recommended that R1 is added. The values of C1 and C2 should be selected in consultation with the crystal/resonator manufacturer specifications.

2. Reset circuit

The reset circuit resistance and capacitance values should be chosen to ensure that V_{DD} is stable and remains within its operating voltage range before the \overline{RES} pin reaches a high level. Ensure that the length of the wiring connected to the \overline{RES} pin is kept as short as possible, to avoid noise interference.

3. For applications where noise may interfere with the reset circuit and for details on the oscillator external components, refer to Application Note HA0075E for more information.

Instruction Set Summary

Mnemonic	Description	Instruction Cycle	Flag Affected
Arithmetic			
ADD A,[m]	Add data memory to ACC	1	Z,C,AC,OV
ADDM A,[m]	Add ACC to data memory	1 ⁽¹⁾	Z,C,AC,OV
ADD A,x	Add immediate data to ACC	1	Z,C,AC,OV
ADC A,[m]	Add data memory to ACC with carry	1	Z,C,AC,OV
ADCM A,[m]	Add ACC to data memory with carry	1 ⁽¹⁾	Z,C,AC,OV
SUB A,x	Subtract immediate data from ACC	1	Z,C,AC,OV
SUB A,[m]	Subtract data memory from ACC	1	Z,C,AC,OV
SUBM A,[m]	Subtract data memory from ACC with result in data memory	1 ⁽¹⁾	Z,C,AC,OV
SBC A,[m]	Subtract data memory from ACC with carry	1	Z,C,AC,OV
SBCM A,[m]	Subtract data memory from ACC with carry and result in data memory	1 ⁽¹⁾	Z,C,AC,OV
DAA [m]	Decimal adjust ACC for addition with result in data memory	1 ⁽¹⁾	C
Logic Operation			
AND A,[m]	AND data memory to ACC	1	Z
OR A,[m]	OR data memory to ACC	1	Z
XOR A,[m]	Exclusive-OR data memory to ACC	1	Z
ANDM A,[m]	AND ACC to data memory	1 ⁽¹⁾	Z
ORM A,[m]	OR ACC to data memory	1 ⁽¹⁾	Z
XORM A,[m]	Exclusive-OR ACC to data memory	1 ⁽¹⁾	Z
AND A,x	AND immediate data to ACC	1	Z
OR A,x	OR immediate data to ACC	1	Z
XOR A,x	Exclusive-OR immediate data to ACC	1	Z
CPL [m]	Complement data memory	1 ⁽¹⁾	Z
CPLA [m]	Complement data memory with result in ACC	1	Z
Increment & Decrement			
INCA [m]	Increment data memory with result in ACC	1	Z
INC [m]	Increment data memory	1 ⁽¹⁾	Z
DECA [m]	Decrement data memory with result in ACC	1	Z
DEC [m]	Decrement data memory	1 ⁽¹⁾	Z
Rotate			
RRA [m]	Rotate data memory right with result in ACC	1	None
RR [m]	Rotate data memory right	1 ⁽¹⁾	None
RRCA [m]	Rotate data memory right through carry with result in ACC	1	C
RRC [m]	Rotate data memory right through carry	1 ⁽¹⁾	C
RLA [m]	Rotate data memory left with result in ACC	1	None
RL [m]	Rotate data memory left	1 ⁽¹⁾	None
RLCA [m]	Rotate data memory left through carry with result in ACC	1	C
RLC [m]	Rotate data memory left through carry	1 ⁽¹⁾	C
Data Move			
MOV A,[m]	Move data memory to ACC	1	None
MOV [m],A	Move ACC to data memory	1 ⁽¹⁾	None
MOV A,x	Move immediate data to ACC	1	None
Bit Operation			
CLR [m].i	Clear bit of data memory	1 ⁽¹⁾	None
SET [m].i	Set bit of data memory	1 ⁽¹⁾	None

Mnemonic	Description	Instruction Cycle	Flag Affected
Branch			
JMP addr	Jump unconditionally	2	None
SZ [m]	Skip if data memory is zero	1 ⁽²⁾	None
SZA [m]	Skip if data memory is zero with data movement to ACC	1 ⁽²⁾	None
SZ [m].i	Skip if bit i of data memory is zero	1 ⁽²⁾	None
SNZ [m].i	Skip if bit i of data memory is not zero	1 ⁽²⁾	None
SIZ [m]	Skip if increment data memory is zero	1 ⁽³⁾	None
SDZ [m]	Skip if decrement data memory is zero	1 ⁽³⁾	None
SIZA [m]	Skip if increment data memory is zero with result in ACC	1 ⁽²⁾	None
SDZA [m]	Skip if decrement data memory is zero with result in ACC	1 ⁽²⁾	None
CALL addr	Subroutine call	2	None
RET	Return from subroutine	2	None
RET A,x	Return from subroutine and load immediate data to ACC	2	None
RETI	Return from interrupt	2	None
Table Read			
TABRDC [m]	Read ROM code (current page) to data memory and TBLH	2 ⁽¹⁾	None
TABRDL [m]	Read ROM code (last page) to data memory and TBLH	2 ⁽¹⁾	None
Miscellaneous			
NOP	No operation	1	None
CLR [m]	Clear data memory	1 ⁽¹⁾	None
SET [m]	Set data memory	1 ⁽¹⁾	None
CLR WDT	Clear Watchdog Timer	1	TO,PDF
CLR WDT1	Pre-clear Watchdog Timer	1	TO ⁽⁴⁾ ,PDF ⁽⁴⁾
CLR WDT2	Pre-clear Watchdog Timer	1	TO ⁽⁴⁾ ,PDF ⁽⁴⁾
SWAP [m]	Swap nibbles of data memory	1 ⁽¹⁾	None
SWAPA [m]	Swap nibbles of data memory with result in ACC	1	None
HALT	Enter power down mode	1	TO,PDF

Note: x: Immediate data

m: Data memory address

A: Accumulator

i: 0~7 number of bits

addr: Program memory address

√: Flag is affected

–: Flag is not affected

⁽¹⁾: If a loading to the PCL register occurs, the execution cycle of instructions will be delayed for one more cycle (four system clocks).

⁽²⁾: If a skipping to the next instruction occurs, the execution cycle of instructions will be delayed for one more cycle (four system clocks). Otherwise the original instruction cycle is unchanged.

⁽³⁾: ⁽¹⁾ and ⁽²⁾

⁽⁴⁾: The flags may be affected by the execution status. If the Watchdog Timer is cleared by executing the "CLR WDT1" or "CLR WDT2" instruction, the TO and PDF are cleared. Otherwise the TO and PDF flags remain unchanged.

Instruction Definition

ADC A,[m] Add data memory and carry to the accumulator
 Description The contents of the specified data memory, accumulator and the carry flag are added simultaneously, leaving the result in the accumulator.
 Operation $ACC \leftarrow ACC+[m]+C$
 Affected flag(s)

TO	PDF	OV	Z	AC	C
—	—	√	√	√	√

ADCM A,[m] Add the accumulator and carry to data memory
 Description The contents of the specified data memory, accumulator and the carry flag are added simultaneously, leaving the result in the specified data memory.
 Operation $[m] \leftarrow ACC+[m]+C$
 Affected flag(s)

TO	PDF	OV	Z	AC	C
—	—	√	√	√	√

ADD A,[m] Add data memory to the accumulator
 Description The contents of the specified data memory and the accumulator are added. The result is stored in the accumulator.
 Operation $ACC \leftarrow ACC+[m]$
 Affected flag(s)

TO	PDF	OV	Z	AC	C
—	—	√	√	√	√

ADD A,x Add immediate data to the accumulator
 Description The contents of the accumulator and the specified data are added, leaving the result in the accumulator.
 Operation $ACC \leftarrow ACC+x$
 Affected flag(s)

TO	PDF	OV	Z	AC	C
—	—	√	√	√	√

ADDM A,[m] Add the accumulator to the data memory
 Description The contents of the specified data memory and the accumulator are added. The result is stored in the data memory.
 Operation $[m] \leftarrow ACC+[m]$
 Affected flag(s)

TO	PDF	OV	Z	AC	C
—	—	√	√	√	√

AND A,[m] Logical AND accumulator with data memory
 Description Data in the accumulator and the specified data memory perform a bitwise logical_AND operation. The result is stored in the accumulator.
 Operation $ACC \leftarrow ACC \text{ "AND" } [m]$
 Affected flag(s)

TO	PDF	OV	Z	AC	C
—	—	—	√	—	—

AND A,x Logical AND immediate data to the accumulator
 Description Data in the accumulator and the specified data perform a bitwise logical_AND operation. The result is stored in the accumulator.
 Operation $ACC \leftarrow ACC \text{ "AND" } x$
 Affected flag(s)

TO	PDF	OV	Z	AC	C
—	—	—	√	—	—

ANDM A,[m] Logical AND data memory with the accumulator
 Description Data in the specified data memory and the accumulator perform a bitwise logical_AND operation. The result is stored in the data memory.
 Operation $[m] \leftarrow ACC \text{ "AND" } [m]$
 Affected flag(s)

TO	PDF	OV	Z	AC	C
—	—	—	√	—	—

CALL addr Subroutine call
 Description The instruction unconditionally calls a subroutine located at the indicated address. The program counter increments once to obtain the address of the next instruction, and pushes this onto the stack. The indicated address is then loaded. Program execution continues with the instruction at this address.
 Operation $Stack \leftarrow Program\ Counter+1$
 $Program\ Counter \leftarrow addr$
 Affected flag(s)

TO	PDF	OV	Z	AC	C
—	—	—	—	—	—

CLR [m] Clear data memory
 Description The contents of the specified data memory are cleared to 0.
 Operation $[m] \leftarrow 00H$
 Affected flag(s)

TO	PDF	OV	Z	AC	C
—	—	—	—	—	—

CLR [m].i

Clear bit of data memory

Description

 The bit *i* of the specified data memory is cleared to 0.

Operation

 $[m].i \leftarrow 0$

Affected flag(s)

TO	PDF	OV	Z	AC	C
—	—	—	—	—	—

CLR WDT

Clear Watchdog Timer

Description

The WDT is cleared (clears the WDT). The power down bit (PDF) and time-out bit (TO) are cleared.

Operation

 $WDT \leftarrow 00H$
 $PDF \text{ and } TO \leftarrow 0$

Affected flag(s)

TO	PDF	OV	Z	AC	C
0	0	—	—	—	—

CLR WDT1

Preclear Watchdog Timer

Description

Together with CLR WDT2, clears the WDT. PDF and TO are also cleared. Only execution of this instruction without the other preclear instruction just sets the indicated flag which implies this instruction has been executed and the TO and PDF flags remain unchanged.

Operation

 $WDT \leftarrow 00H^*$
 $PDF \text{ and } TO \leftarrow 0^*$

Affected flag(s)

TO	PDF	OV	Z	AC	C
0*	0*	—	—	—	—

CLR WDT2

Preclear Watchdog Timer

Description

Together with CLR WDT1, clears the WDT. PDF and TO are also cleared. Only execution of this instruction without the other preclear instruction, sets the indicated flag which implies this instruction has been executed and the TO and PDF flags remain unchanged.

Operation

 $WDT \leftarrow 00H^*$
 $PDF \text{ and } TO \leftarrow 0^*$

Affected flag(s)

TO	PDF	OV	Z	AC	C
0*	0*	—	—	—	—

CPL [m]

Complement data memory

Description

Each bit of the specified data memory is logically complemented (1's complement). Bits which previously contained a 1 are changed to 0 and vice-versa.

Operation

 $[m] \leftarrow \overline{[m]}$

Affected flag(s)

TO	PDF	OV	Z	AC	C
—	—	—	√	—	—

CPLA [m] Complement data memory and place result in the accumulator

Description Each bit of the specified data memory is logically complemented (1's complement). Bits which previously contained a 1 are changed to 0 and vice-versa. The complemented result is stored in the accumulator and the contents of the data memory remain unchanged.

Operation $ACC \leftarrow \overline{[m]}$

Affected flag(s)

TO	PDF	OV	Z	AC	C
—	—	—	√	—	—

DAA [m] Decimal-Adjust accumulator for addition

Description The accumulator value is adjusted to the BCD (Binary Coded Decimal) code. The accumulator is divided into two nibbles. Each nibble is adjusted to the BCD code and an internal carry (AC1) will be done if the low nibble of the accumulator is greater than 9. The BCD adjustment is done by adding 6 to the original value if the original value is greater than 9 or a carry (AC or C) is set; otherwise the original value remains unchanged. The result is stored in the data memory and only the carry flag (C) may be affected.

Operation

If $ACC.3 \sim ACC.0 > 9$ or $AC=1$
then $[m].3 \sim [m].0 \leftarrow (ACC.3 \sim ACC.0) + 6$, $AC1 = \overline{AC}$
else $[m].3 \sim [m].0 \leftarrow (ACC.3 \sim ACC.0)$, $AC1 = 0$
and
If $ACC.7 \sim ACC.4 + AC1 > 9$ or $C=1$
then $[m].7 \sim [m].4 \leftarrow ACC.7 \sim ACC.4 + 6 + AC1$, $C=1$
else $[m].7 \sim [m].4 \leftarrow ACC.7 \sim ACC.4 + AC1$, $C=C$

Affected flag(s)

TO	PDF	OV	Z	AC	C
—	—	—	—	—	√

DEC [m] Decrement data memory

Description Data in the specified data memory is decremented by 1.

Operation $[m] \leftarrow [m] - 1$

Affected flag(s)

TO	PDF	OV	Z	AC	C
—	—	—	√	—	—

DECA [m] Decrement data memory and place result in the accumulator

Description Data in the specified data memory is decremented by 1, leaving the result in the accumulator. The contents of the data memory remain unchanged.

Operation $ACC \leftarrow [m] - 1$

Affected flag(s)

TO	PDF	OV	Z	AC	C
—	—	—	√	—	—

HALT Enter power down mode

Description This instruction stops program execution and turns off the system clock. The contents of the RAM and registers are retained. The WDT and prescaler are cleared. The power down bit (PDF) is set and the WDT time-out bit (TO) is cleared.

Operation Program Counter \leftarrow Program Counter+1
 PDF \leftarrow 1
 TO \leftarrow 0

Affected flag(s)

TO	PDF	OV	Z	AC	C
0	1	—	—	—	—

INC [m] Increment data memory

Description Data in the specified data memory is incremented by 1

Operation [m] \leftarrow [m]+1

Affected flag(s)

TO	PDF	OV	Z	AC	C
—	—	—	√	—	—

INCA [m] Increment data memory and place result in the accumulator

Description Data in the specified data memory is incremented by 1, leaving the result in the accumulator. The contents of the data memory remain unchanged.

Operation ACC \leftarrow [m]+1

Affected flag(s)

TO	PDF	OV	Z	AC	C
—	—	—	√	—	—

JMP addr Directly jump

Description The program counter are replaced with the directly-specified address unconditionally, and control is passed to this destination.

Operation Program Counter \leftarrow addr

Affected flag(s)

TO	PDF	OV	Z	AC	C
—	—	—	—	—	—

MOV A,[m] Move data memory to the accumulator

Description The contents of the specified data memory are copied to the accumulator.

Operation ACC \leftarrow [m]

Affected flag(s)

TO	PDF	OV	Z	AC	C
—	—	—	—	—	—

MOV A,x

Move immediate data to the accumulator

Description

The 8-bit data specified by the code is loaded into the accumulator.

Operation

 $ACC \leftarrow x$

Affected flag(s)

TO	PDF	OV	Z	AC	C
—	—	—	—	—	—

MOV [m],A

Move the accumulator to data memory

Description

The contents of the accumulator are copied to the specified data memory (one of the data memories).

Operation

 $[m] \leftarrow ACC$

Affected flag(s)

TO	PDF	OV	Z	AC	C
—	—	—	—	—	—

NOP

No operation

Description

No operation is performed. Execution continues with the next instruction.

Operation

 $Program\ Counter \leftarrow Program\ Counter + 1$

Affected flag(s)

TO	PDF	OV	Z	AC	C
—	—	—	—	—	—

OR A,[m]

Logical OR accumulator with data memory

Description

Data in the accumulator and the specified data memory (one of the data memories) perform a bitwise logical_OR operation. The result is stored in the accumulator.

Operation

 $ACC \leftarrow ACC \text{ "OR" } [m]$

Affected flag(s)

TO	PDF	OV	Z	AC	C
—	—	—	√	—	—

OR A,x

Logical OR immediate data to the accumulator

Description

Data in the accumulator and the specified data perform a bitwise logical_OR operation. The result is stored in the accumulator.

Operation

 $ACC \leftarrow ACC \text{ "OR" } x$

Affected flag(s)

TO	PDF	OV	Z	AC	C
—	—	—	√	—	—

ORM A,[m]

Logical OR data memory with the accumulator

Description

Data in the data memory (one of the data memories) and the accumulator perform a bitwise logical_OR operation. The result is stored in the data memory.

Operation

 $[m] \leftarrow ACC \text{ "OR" } [m]$

Affected flag(s)

TO	PDF	OV	Z	AC	C
—	—	—	√	—	—

RET Return from subroutine
 Description The program counter is restored from the stack. This is a 2-cycle instruction.
 Operation Program Counter \leftarrow Stack
 Affected flag(s)

TO	PDF	OV	Z	AC	C
—	—	—	—	—	—

RET A,x Return and place immediate data in the accumulator
 Description The program counter is restored from the stack and the accumulator loaded with the specified 8-bit immediate data.
 Operation Program Counter \leftarrow Stack
 ACC \leftarrow x
 Affected flag(s)

TO	PDF	OV	Z	AC	C
—	—	—	—	—	—

RETI Return from interrupt
 Description The program counter is restored from the stack, and interrupts are enabled by setting the EMI bit. EMI is the enable master (global) interrupt bit.
 Operation Program Counter \leftarrow Stack
 EMI \leftarrow 1
 Affected flag(s)

TO	PDF	OV	Z	AC	C
—	—	—	—	—	—

RL [m] Rotate data memory left
 Description The contents of the specified data memory are rotated 1 bit left with bit 7 rotated into bit 0.
 Operation [m].(i+1) \leftarrow [m].i; [m].i:bit i of the data memory (i=0~6)
 [m].0 \leftarrow [m].7
 Affected flag(s)

TO	PDF	OV	Z	AC	C
—	—	—	—	—	—

RLA [m] Rotate data memory left and place result in the accumulator
 Description Data in the specified data memory is rotated 1 bit left with bit 7 rotated into bit 0, leaving the rotated result in the accumulator. The contents of the data memory remain unchanged.
 Operation ACC.(i+1) \leftarrow [m].i; [m].i:bit i of the data memory (i=0~6)
 ACC.0 \leftarrow [m].7
 Affected flag(s)

TO	PDF	OV	Z	AC	C
—	—	—	—	—	—

RLC [m] Rotate data memory left through carry

Description The contents of the specified data memory and the carry flag are rotated 1 bit left. Bit 7 replaces the carry bit; the original carry flag is rotated into the bit 0 position.

Operation $[m].(i+1) \leftarrow [m].i$; $[m].i$:bit i of the data memory ($i=0\sim 6$)
 $[m].0 \leftarrow C$
 $C \leftarrow [m].7$

Affected flag(s)

TO	PDF	OV	Z	AC	C
—	—	—	—	—	√

RLCA [m] Rotate left through carry and place result in the accumulator

Description Data in the specified data memory and the carry flag are rotated 1 bit left. Bit 7 replaces the carry bit and the original carry flag is rotated into bit 0 position. The rotated result is stored in the accumulator but the contents of the data memory remain unchanged.

Operation $ACC.(i+1) \leftarrow [m].i$; $[m].i$:bit i of the data memory ($i=0\sim 6$)
 $ACC.0 \leftarrow C$
 $C \leftarrow [m].7$

Affected flag(s)

TO	PDF	OV	Z	AC	C
—	—	—	—	—	√

RR [m] Rotate data memory right

Description The contents of the specified data memory are rotated 1 bit right with bit 0 rotated to bit 7.

Operation $[m].i \leftarrow [m].(i+1)$; $[m].i$:bit i of the data memory ($i=0\sim 6$)
 $[m].7 \leftarrow [m].0$

Affected flag(s)

TO	PDF	OV	Z	AC	C
—	—	—	—	—	—

RRA [m] Rotate right and place result in the accumulator

Description Data in the specified data memory is rotated 1 bit right with bit 0 rotated into bit 7, leaving the rotated result in the accumulator. The contents of the data memory remain unchanged.

Operation $ACC.(i) \leftarrow [m].(i+1)$; $[m].i$:bit i of the data memory ($i=0\sim 6$)
 $ACC.7 \leftarrow [m].0$

Affected flag(s)

TO	PDF	OV	Z	AC	C
—	—	—	—	—	—

RRC [m] Rotate data memory right through carry

Description The contents of the specified data memory and the carry flag are together rotated 1 bit right. Bit 0 replaces the carry bit; the original carry flag is rotated into the bit 7 position.

Operation $[m].i \leftarrow [m].(i+1)$; $[m].i$:bit i of the data memory ($i=0\sim 6$)
 $[m].7 \leftarrow C$
 $C \leftarrow [m].0$

Affected flag(s)

TO	PDF	OV	Z	AC	C
—	—	—	—	—	√

RRCA [m] Rotate right through carry and place result in the accumulator

Description Data of the specified data memory and the carry flag are rotated 1 bit right. Bit 0 replaces the carry bit and the original carry flag is rotated into the bit 7 position. The rotated result is stored in the accumulator. The contents of the data memory remain unchanged.

Operation $ACC.i \leftarrow [m].(i+1)$; $[m].i$:bit i of the data memory (i=0~6)
 $ACC.7 \leftarrow C$
 $C \leftarrow [m].0$

Affected flag(s)

TO	PDF	OV	Z	AC	C
—	—	—	—	—	√

SBC A,[m] Subtract data memory and carry from the accumulator

Description The contents of the specified data memory and the complement of the carry flag are subtracted from the accumulator, leaving the result in the accumulator.

Operation $ACC \leftarrow ACC + \overline{[m]} + C$

Affected flag(s)

TO	PDF	OV	Z	AC	C
—	—	√	√	√	√

SBCM A,[m] Subtract data memory and carry from the accumulator

Description The contents of the specified data memory and the complement of the carry flag are subtracted from the accumulator, leaving the result in the data memory.

Operation $[m] \leftarrow ACC + \overline{[m]} + C$

Affected flag(s)

TO	PDF	OV	Z	AC	C
—	—	√	√	√	√

SDZ [m] Skip if decrement data memory is 0

Description The contents of the specified data memory are decremented by 1. If the result is 0, the next instruction is skipped. If the result is 0, the following instruction, fetched during the current instruction execution, is discarded and a dummy cycle is replaced to get the proper instruction (2 cycles). Otherwise proceed with the next instruction (1 cycle).

Operation Skip if $([m]-1)=0$, $[m] \leftarrow ([m]-1)$

Affected flag(s)

TO	PDF	OV	Z	AC	C
—	—	—	—	—	—

SDZA [m] Decrement data memory and place result in ACC, skip if 0

Description The contents of the specified data memory are decremented by 1. If the result is 0, the next instruction is skipped. The result is stored in the accumulator but the data memory remains unchanged. If the result is 0, the following instruction, fetched during the current instruction execution, is discarded and a dummy cycle is replaced to get the proper instruction (2 cycles). Otherwise proceed with the next instruction (1 cycle).

Operation Skip if $([m]-1)=0$, $ACC \leftarrow ([m]-1)$

Affected flag(s)

TO	PDF	OV	Z	AC	C
—	—	—	—	—	—

SET [m] Set data memory
 Description Each bit of the specified data memory is set to 1.
 Operation $[m] \leftarrow FFH$
 Affected flag(s)

TO	PDF	OV	Z	AC	C
—	—	—	—	—	—

SET [m]. i Set bit of data memory
 Description Bit i of the specified data memory is set to 1.
 Operation $[m].i \leftarrow 1$
 Affected flag(s)

TO	PDF	OV	Z	AC	C
—	—	—	—	—	—

SIZ [m] Skip if increment data memory is 0
 Description The contents of the specified data memory are incremented by 1. If the result is 0, the following instruction, fetched during the current instruction execution, is discarded and a dummy cycle is replaced to get the proper instruction (2 cycles). Otherwise proceed with the next instruction (1 cycle).
 Operation Skip if $([m]+1)=0$, $[m] \leftarrow ([m]+1)$
 Affected flag(s)

TO	PDF	OV	Z	AC	C
—	—	—	—	—	—

SIZA [m] Increment data memory and place result in ACC, skip if 0
 Description The contents of the specified data memory are incremented by 1. If the result is 0, the next instruction is skipped and the result is stored in the accumulator. The data memory remains unchanged. If the result is 0, the following instruction, fetched during the current instruction execution, is discarded and a dummy cycle is replaced to get the proper instruction (2 cycles). Otherwise proceed with the next instruction (1 cycle).
 Operation Skip if $([m]+1)=0$, $ACC \leftarrow ([m]+1)$
 Affected flag(s)

TO	PDF	OV	Z	AC	C
—	—	—	—	—	—

SNZ [m].i Skip if bit i of the data memory is not 0
 Description If bit i of the specified data memory is not 0, the next instruction is skipped. If bit i of the data memory is not 0, the following instruction, fetched during the current instruction execution, is discarded and a dummy cycle is replaced to get the proper instruction (2 cycles). Otherwise proceed with the next instruction (1 cycle).
 Operation Skip if $[m].i \neq 0$
 Affected flag(s)

TO	PDF	OV	Z	AC	C
—	—	—	—	—	—

SUB A,[m] Subtract data memory from the accumulator
 Description The specified data memory is subtracted from the contents of the accumulator, leaving the result in the accumulator.
 Operation $ACC \leftarrow ACC + \overline{[m]} + 1$
 Affected flag(s)

TO	PDF	OV	Z	AC	C
—	—	√	√	√	√

SUBM A,[m] Subtract data memory from the accumulator
 Description The specified data memory is subtracted from the contents of the accumulator, leaving the result in the data memory.
 Operation $[m] \leftarrow ACC + \overline{[m]} + 1$
 Affected flag(s)

TO	PDF	OV	Z	AC	C
—	—	√	√	√	√

SUB A,x Subtract immediate data from the accumulator
 Description The immediate data specified by the code is subtracted from the contents of the accumulator, leaving the result in the accumulator.
 Operation $ACC \leftarrow ACC + \overline{x} + 1$
 Affected flag(s)

TO	PDF	OV	Z	AC	C
—	—	√	√	√	√

SWAP [m] Swap nibbles within the data memory
 Description The low-order and high-order nibbles of the specified data memory (1 of the data memories) are interchanged.
 Operation $[m].3 \sim [m].0 \leftrightarrow [m].7 \sim [m].4$
 Affected flag(s)

TO	PDF	OV	Z	AC	C
—	—	—	—	—	—

SWAPA [m] Swap data memory and place result in the accumulator
 Description The low-order and high-order nibbles of the specified data memory are interchanged, writing the result to the accumulator. The contents of the data memory remain unchanged.
 Operation $ACC.3 \sim ACC.0 \leftarrow [m].7 \sim [m].4$
 $ACC.7 \sim ACC.4 \leftarrow [m].3 \sim [m].0$
 Affected flag(s)

TO	PDF	OV	Z	AC	C
—	—	—	—	—	—

SZ [m] Skip if data memory is 0

Description If the contents of the specified data memory are 0, the following instruction, fetched during the current instruction execution, is discarded and a dummy cycle is replaced to get the proper instruction (2 cycles). Otherwise proceed with the next instruction (1 cycle).

Operation Skip if [m]=0

Affected flag(s)

TO	PDF	OV	Z	AC	C
—	—	—	—	—	—

SZA [m] Move data memory to ACC, skip if 0

Description The contents of the specified data memory are copied to the accumulator. If the contents is 0, the following instruction, fetched during the current instruction execution, is discarded and a dummy cycle is replaced to get the proper instruction (2 cycles). Otherwise proceed with the next instruction (1 cycle).

Operation Skip if [m]=0

Affected flag(s)

TO	PDF	OV	Z	AC	C
—	—	—	—	—	—

SZ [m].i Skip if bit i of the data memory is 0

Description If bit i of the specified data memory is 0, the following instruction, fetched during the current instruction execution, is discarded and a dummy cycle is replaced to get the proper instruction (2 cycles). Otherwise proceed with the next instruction (1 cycle).

Operation Skip if [m].i=0

Affected flag(s)

TO	PDF	OV	Z	AC	C
—	—	—	—	—	—

TABRDC [m] Move the ROM code (current page) to TBLH and data memory

Description The low byte of ROM code (current page) addressed by the table pointer (TBLP) is moved to the specified data memory and the high byte transferred to TBLH directly.

Operation [m] ← ROM code (low byte)
TBLH ← ROM code (high byte)

Affected flag(s)

TO	PDF	OV	Z	AC	C
—	—	—	—	—	—

TABRDL [m] Move the ROM code (last page) to TBLH and data memory

Description The low byte of ROM code (last page) addressed by the table pointer (TBLP) is moved to the data memory and the high byte transferred to TBLH directly.

Operation [m] ← ROM code (low byte)
TBLH ← ROM code (high byte)

Affected flag(s)

TO	PDF	OV	Z	AC	C
—	—	—	—	—	—

XOR A,[m] Logical XOR accumulator with data memory

Description Data in the accumulator and the indicated data memory perform a bitwise logical Exclusive_OR operation and the result is stored in the accumulator.

Operation $ACC \leftarrow ACC \text{ "XOR" } [m]$

Affected flag(s)

TO	PDF	OV	Z	AC	C
—	—	—	√	—	—

XORM A,[m] Logical XOR data memory with the accumulator

Description Data in the indicated data memory and the accumulator perform a bitwise logical Exclusive_OR operation. The result is stored in the data memory. The 0 flag is affected.

Operation $[m] \leftarrow ACC \text{ "XOR" } [m]$

Affected flag(s)

TO	PDF	OV	Z	AC	C
—	—	—	√	—	—

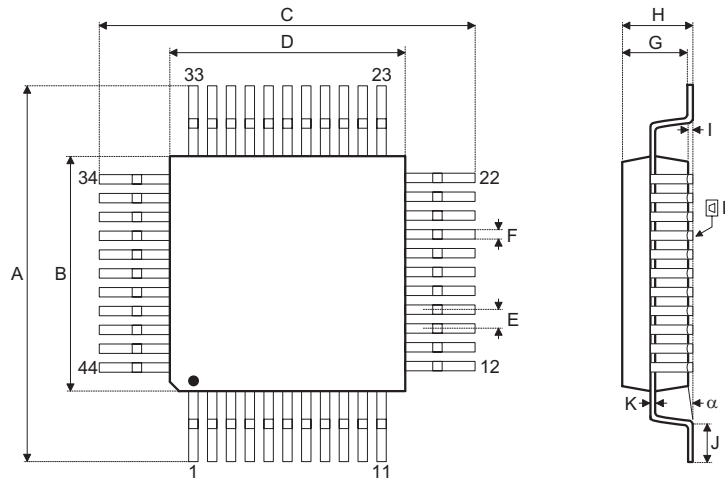
XOR A,x Logical XOR immediate data to the accumulator

Description Data in the accumulator and the specified data perform a bitwise logical Exclusive_OR operation. The result is stored in the accumulator. The 0 flag is affected.

Operation $ACC \leftarrow ACC \text{ "XOR" } x$

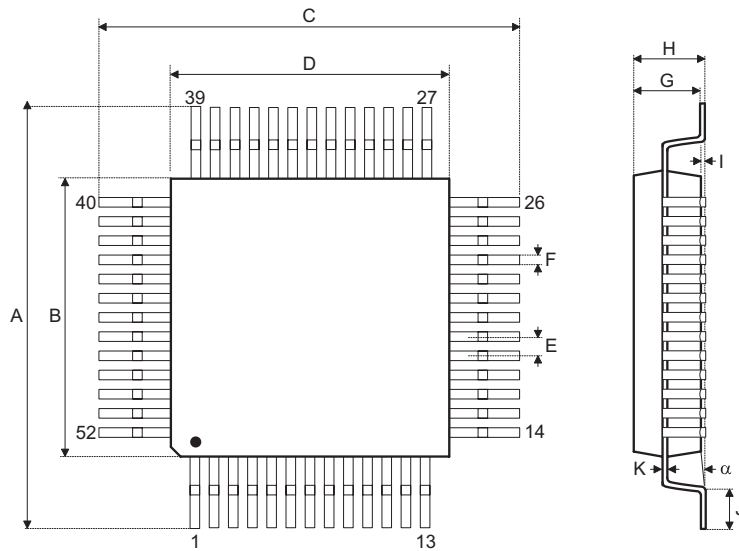
Affected flag(s)

TO	PDF	OV	Z	AC	C
—	—	—	√	—	—

Package Information
44-pin QFP (10×10) Outline Dimensions


Symbol	Dimensions in mm		
	Min.	Nom.	Max.
A	13	—	13.4
B	9.9	—	10.1
C	13	—	13.4
D	9.9	—	10.1
E	—	0.8	—
F	—	0.3	—
G	1.9	—	2.2
H	—	—	2.7
I	0.25	—	0.5
J	0.73	—	0.93
K	0.1	—	0.2
L	—	0.1	—
α	0°	—	7°

52-pin QFP (14×14) Outline Dimensions



Symbol	Dimensions in mm		
	Min.	Nom.	Max.
A	17.3	—	17.5
B	13.9	—	14.1
C	17.3	—	17.5
D	13.9	—	14.1
E	—	1	—
F	—	0.4	—
G	2.5	—	3.1
H	—	—	3.4
I	—	0.1	—
J	0.73	—	1.03
K	0.1	—	0.2
α	0°	—	7°

Holtek Semiconductor Inc. (Headquarters)

No.3, Creation Rd. II, Science Park, Hsinchu, Taiwan
Tel: 886-3-563-1999
Fax: 886-3-563-1189
<http://www.holtek.com.tw>

Holtek Semiconductor Inc. (Taipei Sales Office)

4F-2, No. 3-2, YuanQu St., Nankang Software Park, Taipei 115, Taiwan
Tel: 886-2-2655-7070
Fax: 886-2-2655-7373
Fax: 886-2-2655-7383 (International sales hotline)

Holtek Semiconductor Inc. (Shanghai Sales Office)

7th Floor, Building 2, No.889, Yi Shan Rd., Shanghai, China 200233
Tel: 86-21-6485-5560
Fax: 86-21-6485-0313
<http://www.holtek.com.cn>

Holtek Semiconductor Inc. (Shenzhen Sales Office)

5/F, Unit A, Productivity Building, Cross of Science M 3rd Road and Gaoxin M 2nd Road, Science Park, Nanshan District, Shenzhen, China 518057
Tel: 86-755-8616-9908, 86-755-8616-9308
Fax: 86-755-8616-9722

Holtek Semiconductor Inc. (Beijing Sales Office)

Suite 1721, Jinyu Tower, A129 West Xuan Wu Men Street, Xicheng District, Beijing, China 100031
Tel: 86-10-6641-0030, 86-10-6641-7751, 86-10-6641-7752
Fax: 86-10-6641-0125

Holtek Semiconductor Inc. (Chengdu Sales Office)

709, Building 3, Champagne Plaza, No.97 Dongda Street, Chengdu, Sichuan, China 610016
Tel: 86-28-6653-6590
Fax: 86-28-6653-6591

Holtek Semiconductor (USA), Inc. (North America Sales Office)

46729 Fremont Blvd., Fremont, CA 94538
Tel: 1-510-252-9880
Fax: 1-510-252-9885
<http://www.holtek.com>

Copyright © 2007 by HOLTEK SEMICONDUCTOR INC.

The information appearing in this Data Sheet is believed to be accurate at the time of publication. However, Holtek assumes no responsibility arising from the use of the specifications described. The applications mentioned herein are used solely for the purpose of illustration and Holtek makes no warranty or representation that such applications will be suitable without further modification, nor recommends the use of its products for application that may present a risk to human life due to malfunction or otherwise. Holtek's products are not authorized for use as critical components in life support devices or systems. Holtek reserves the right to alter its products without prior notification. For the most up-to-date information, please visit our web site at <http://www.holtek.com.tw>.