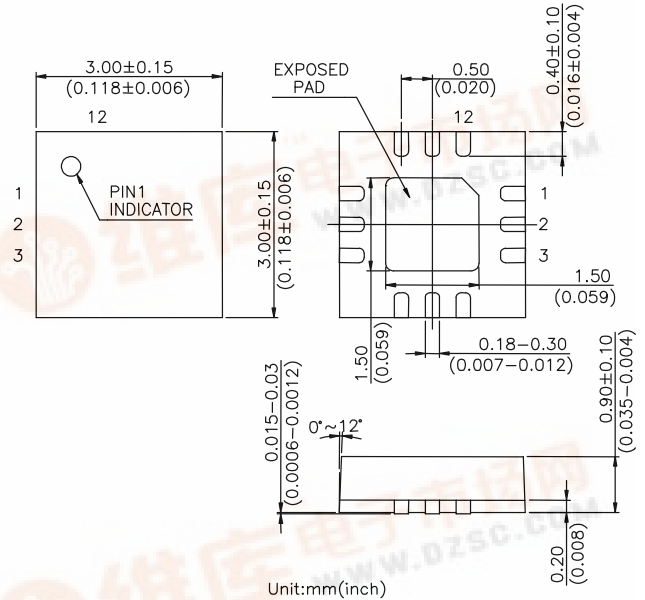




Features

- **Low Insertion Loss** : 0.8 dB @ 2.50 GHz
1.0 dB @ 5.85 GHz
- **Isolation**: 29.5 dB @ 2.50 GHz
20.5 dB @ 5.85 GHz
- **Low DC Power Consumption**
- **Miniature QFN12L (3x3 mm) Plastic Package**
- **PHEMT process**

QFN12L (3 x 3 mm)



Description

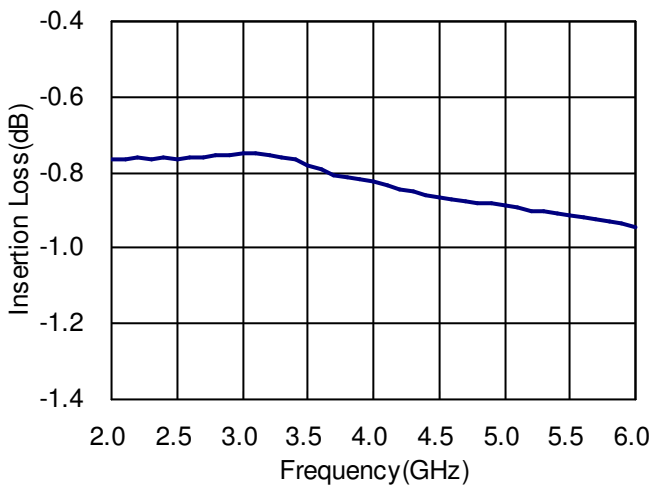
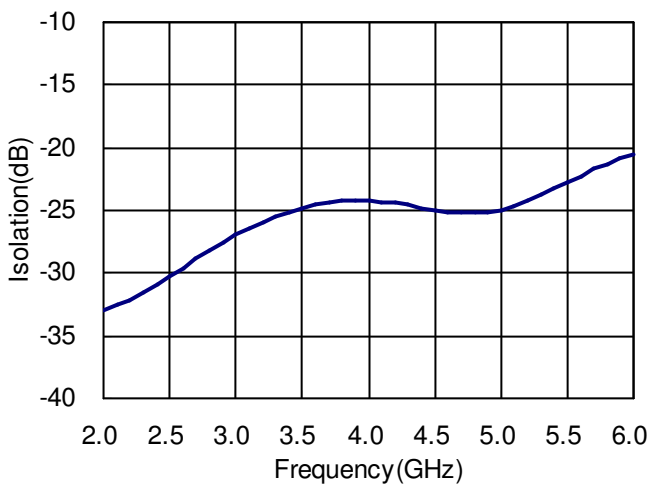
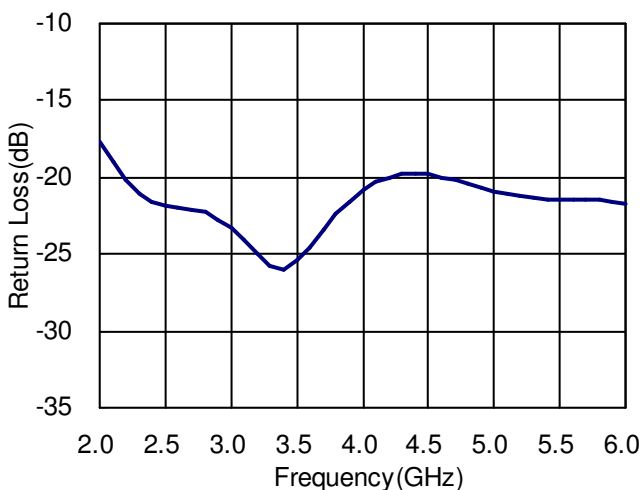
The HWS383 is a GaAs PHEMT MMIC DPDT switch operating at DC-6 GHz in a low cost miniature QFN12L (3 x 3 mm) plastic package. The HWS383 features low insertion loss and high isolation with very low DC power consumption. This switch can be used in IEEE 802.11a/b/g WLAN systems for combination of transmit/receive and antenna diversity functions.

Electrical Specifications at 25 °C with 0, +3V Control Voltages

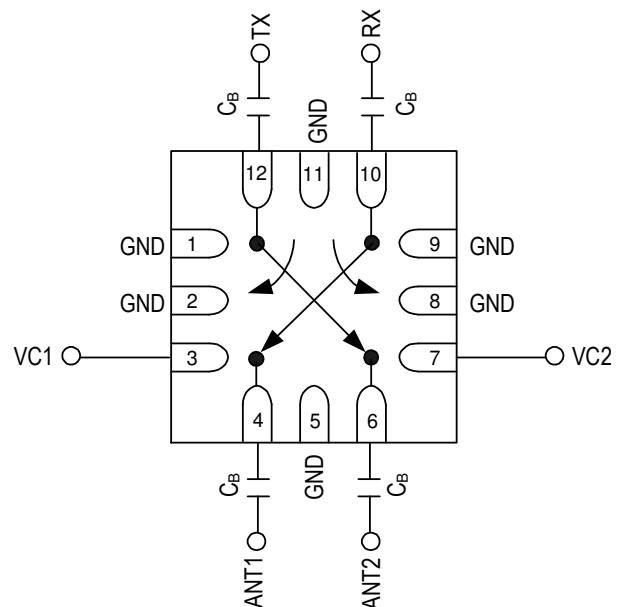
Parameter	Test Conditions	Min.	Typ.	Max.	Unit
Insertion Loss	0.10-6.00 GHz		1.0		dB
	2.40-2.50 GHz		0.8	1.0	dB
	5.15-5.85 GHz		1.0	1.3	dB
Isolation	0.10-6.00 GHz		20.0		dB
	2.40-2.50 GHz	27.0	29.5		dB
	5.15-5.85 GHz	18.0	20.5		dB
Return Loss	0.10-6.00 GHz		15		dB
	2.40-2.50 GHz		20		dB
	5.15-5.85 GHz		18		dB
Input Power for One dB Compression	2.00-6.00 GHz		33		dBm
Input Third Order Intermodulation Intercept Point	20 dBm Per Tone @ 2.50 GHz		52		dBm
	22 dBm Per Tone @ 5.85 GHz		52		dBm
Control Current			5	200	uA

Note: All measurements made in a 50 ohm system with 0/+3.0V control voltages, unless otherwise specified.



Typical Performance Data with 8pF Capacitors @ +25°C
Insertion Loss vs Frequency

Isolation vs Frequency

Return Loss vs Frequency

Absolute Maximum Ratings

Parameter	Absolute Maximum
RF Input Power	+34 dBm @ +3V
Control Voltage	+6V
Operating Temperature	-40°C to +85°C
Storage Temperature	-65°C to +150°C

Pin Out (Top View)

Note:

1. DC blocking capacitors $C_B=8\text{pF}$ are required on all RF ports.
2. Exposed pad in the bottom must be connected to ground by via holes.
3. TX and RX ports can be used interchangeably.

Logic Table for Switch On-Path

VC1	VC2	ANT1	ANT2
0	1	TX	RX
1	0	RX	TX

'1' = +3V to +5V
'0' = 0V to +0.2V