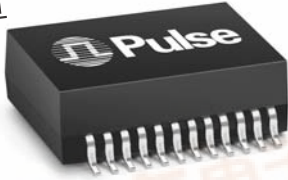



1000BASE-T MAGNETICS MODULES

Designed to Support Gigabit Transceivers



-  RoHS-6 peak reflow temperature rating 245°C
-  Magnetics, designed for Gigabit PHY used in backplane
-  Compliant with IEEE 802.3ab standard

Electrical Specifications @ 25°C — Operating Temperature 0°C to 70°C

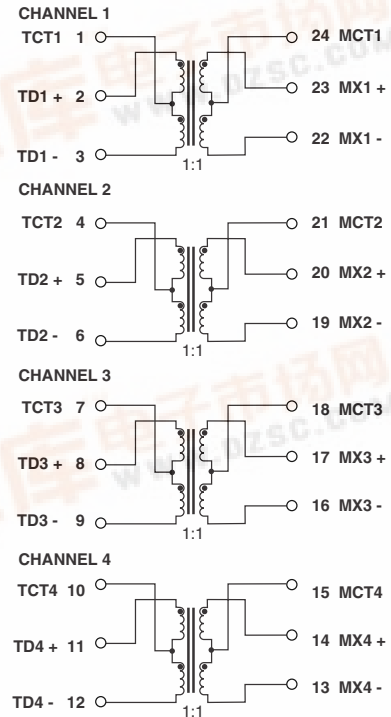
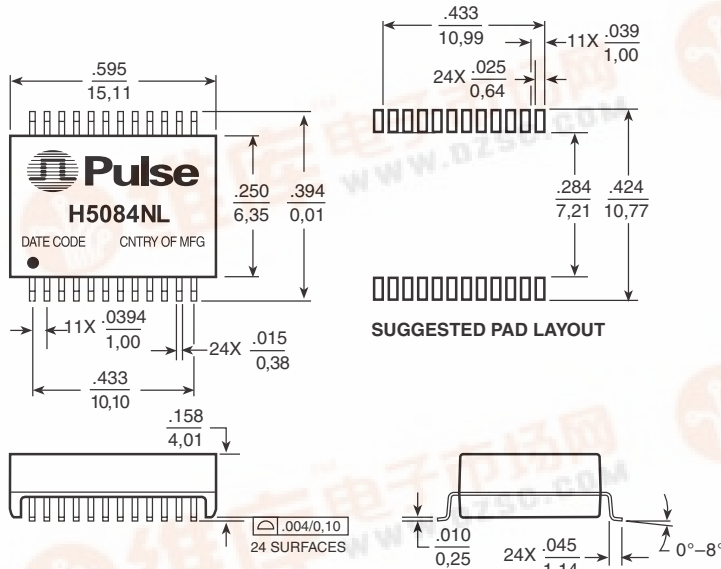
RoHS-6 ¹ Compliant Part Number	Insertion Loss (dB MAX)	Return Loss (dB MIN @ 100 W)					Differential to Common Mode Rejection (dB MIN)			Crosstalk (dB MIN)			Hipot (Vrms MIN)
		1-100MHz	1-30MHz	40MHz	50MHz	60-80MHz	100MHz	30MHz	60MHz	100MHz	30MHz	60MHz	
H5084NL ²	1.0	-18	-18	-16	-12	-10	-43	-37	-33	-45	-40	-35	1500

- RoHS-6:** Product does not contain 5 out of the 6 banned substances specified in the RoHS directive. Some internal connections may contain lead in high-temperature solder (solder alloys containing more than 85% lead).
- MSL = Moisture Sensitivity Level = 1**

Mechanical

Schematic

H5084NL



LEGEND



Weight 0.6 gram
Tube 33

Dimensions: Inches
mm
Unless otherwise specified, all tolerances are ± .010 / 0.25



1000BASE-T MAGNETICS MODULES

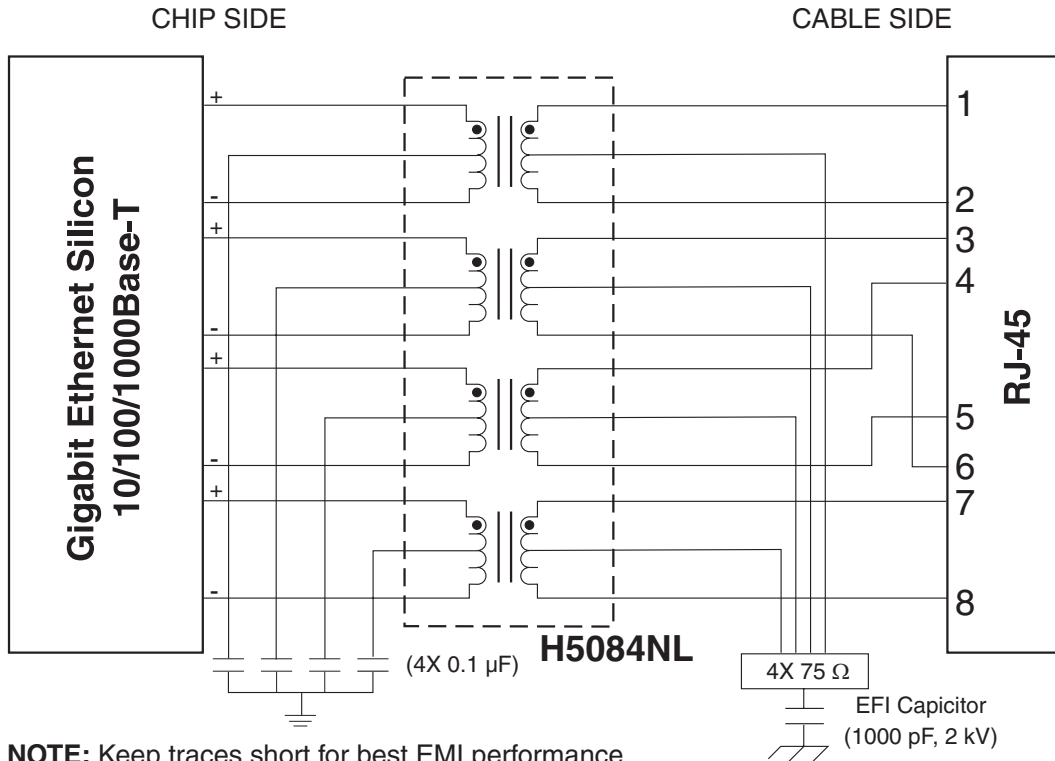
Designed to Support Gigabit Transceivers



Application Circuit

H5084NL

Gigabit Circuit



NOTE: Keep traces short for best EMI performance.

The above circuit is a simple interface for a gigabit transformer connection to both the Gigabit Ethernet silicon and the RJ-45 connector. It is highly recommended that the cable side center taps of each transformer be terminated to 75 W resistors and that the four center taps be terminated to an EFI capacitor prior to ground termination.

For More Information:

Pulse Worldwide Headquarters
12220 World Trade Dr.
San Diego, CA 92128
U.S.A.

Pulse Europe
Einsteinstrasse 1
D-71083 Herrenberg
Germany

Pulse China Headquarters
B402, Shenzhen
Tech-Innovation International
Tenth Kejinan Rd.
High-Tech Industrial Park
Nanshan District, Shenzhen
China

Pulse North China
Room 1503
XinYin Building
No. 888 YiShan Rd.
Shanghai 200233
China

Pulse South Asia
150 Kampong Ampat
#07-01/02
KA Centre
Singapore 368324

Pulse North Asia
No. 26, Kao Ching Rd.
Yang Mei Chen
Taoyuan Hsien
Taiwan
R. O. C.

Tel: 858 674 8100
Fax: 858 674 8262

Tel: 49 7032 7806 0
Fax: 49 7032 7806 135

Tel: 86 755 33966678
Fax: 86 755 33966700

Tel: 86 21 54643211/2
Fax: 86 21 54643210

Tel: 65 6287 8998
Fax: 65 6280 0080

Tel: 886 3 4641811
Fax: 886 3 4641911