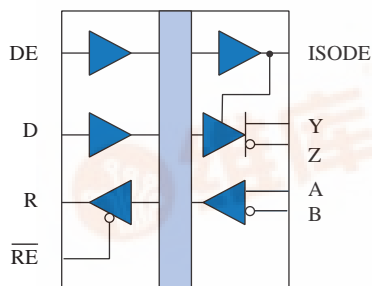


## Isolated RS485/RS422 Interface

### Functional Diagram



IL3522

### IL3522 Receiver

RE	R	$V_{(A-B)}$
H	Z	X
L	H	$\geq 200$ mV
L	L	$\leq -200$ mV
L	H	Open

### IL3522 Driver

DE	D	$V_{(Y-Z)}$
L	X	Z
H	H	$\geq 200$ mV
H	L	$\leq -200$ mV

H = High Level, L = Low Level  
 X = Irrelevant, Z = High Impedance

### Features

- 3.3 / 5 V Input Supply Compatible
- 2500  $V_{RMS}$  Isolation (1 minute)
- 20 ns Propagation Delay
- 40 Mbps Data Rate
- 1 ns Pulse Skew
- 20 kV/ $\mu$ s Transient Immunity
- Thermal Shutdown Protection
- $-40^{\circ}\text{C}$  to  $+85^{\circ}\text{C}$  Temperature Range
- 16-pin SOIC Package
- UL1577 and IEC 61010-2001 Approval

### Applications

- Security Networks
- Building Environmental Controls
- Industrial Control Networks
- Gaming Systems
- Factory Automation

### Description

The IL3522 is a galvanically isolated, high-speed differential bus transceiver, designed for bidirectional data communication on balanced transmission lines. The device uses NVE's patented\* IsoLoop spintronic Giant Magnetoresistance (GMR) technology.

The IL3585 delivers an exceptional 2.3 V differential output into a 54  $\Omega$  load over the supply range of 4.5 V to 5.5 V. This provides better data integrity over longer cable lengths, even at data rates as high as 40 Mbps. The device is also compatible with 3.3 V input supplies, allowing interface to standard microcontrollers without additional level shifting.

Current limiting and thermal shutdown features protect against output short circuits and bus contention that may cause excessive power dissipation. Receiver inputs feature a "fail-safe if open" design, ensuring a logic high R-output if A/B are floating.

## Absolute Maximum Ratings<sup>(1)</sup>

Parameters	Symbol	Min.	Typ.	Max.	Units	Test Conditions
Storage Temperature	$T_s$	-65		150	°C	
Ambient Operating Temperature	$T_A$	-40		100	°C	
Voltage Range at any Bus Pin		-7		12	V	
Supply Voltage <sup>(1)</sup>	$V_{DD1}, V_{DD2}$	-0.5		7	V	
Digital Input Voltage		-0.5		$V_{DD} + 0.5$	V	
Digital Output Voltage		-0.5		$V_{DD} + 1$	V	

## Recommended Operating Conditions

Parameters	Symbol	Min.	Typ.	Max.	Units	Test Conditions
Supply Voltage	$V_{DD1}$ $V_{DD2}$	3.0 4.5		5.5 5.5	V	
Input Voltage at any Bus Terminal (separately or common mode)	$V_I$ $V_{IC}$			12 -7	V	
High-Level Digital Input Voltage	$V_{IH}$	2.4 3.0		$V_{DD1}$	V	$V_{DD1} = 3.3\text{ V}$ $V_{DD1} = 5.0\text{ V}$
Low-Level Digital Input Voltage	$V_{IL}$	0		0.8	V	
Differential Input Voltage <sup>(2)</sup>	$V_{ID}$			+12/-7	V	
High-Level Output Current (Driver)	$I_{OH}$			60	mA	
High-Level Digital Output Current (Receiver)	$I_{OH}$			8	mA	
Low-Level Output Current (Driver)	$I_{OL}$	-60			mA	
Low-Level Digital Output Current (Receiver)	$I_{OL}$	-8			mA	
Ambient Operating Temperature	$T_A$	-40		85	°C	
Digital Input Signal Rise and Fall Times	$t_{IR}, t_{IF}$			DC Stable		

## Insulation Specifications

Parameters	Symbol	Min.	Typ.	Max.	Units	Test Conditions
Creepage Distance (external)		8.08			mm	
Barrier Impedance			$> 10^{14} \parallel 7$		$\Omega \parallel \text{pF}$	
Leakage Current			0.2		$\mu\text{A}_{\text{RMS}}$	240 $V_{\text{RMS}}$ , 60 Hz

## Safety and Approvals

### IEC61010-2001

TUV Certificate Numbers: **N1502812, N1502812-101**

### Classification: Reinforced Insulation

Model	Package	Pollution Degree	Material Group	Max. Working Voltage
IL3585	SOIC (0.3")	II	III	300 $V_{\text{RMS}}$

### UL 1577

Component Recognition Program File Number: E207481  
Rated 2500 $V_{\text{RMS}}$  for 1 minute

## Soldering Profile

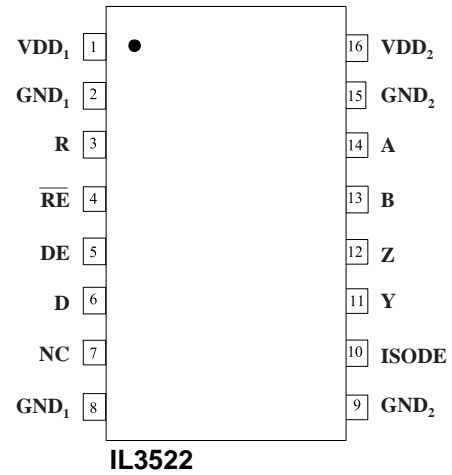
Per JEDEC J-STD-020C, MSL=2

## Electrostatic Discharge Sensitivity

This product has been tested for electrostatic sensitivity to the limits stated in the specifications. However, NVE recommends that all integrated circuits be handled with appropriate care to avoid damage. Damage caused by inappropriate handling or storage could range from performance degradation to complete failure.

## IL3522 Pin Connections

1	V <sub>DD1</sub>	Input Power Supply
2	GND <sub>1</sub>	Input Power Supply Ground Return
3	R	Output Data from Bus
4	$\overline{\text{RE}}$	Read Data Enable (if RE is high, R = high impedance)
5	DE	Drive Enable
6	D	Data Input to Bus
7	NC	No Internal Connection
8	GND <sub>1</sub>	Input Power Supply Ground Return
9	GND <sub>2</sub>	Output Power Supply Ground Return
10	ISODE	Isolated DE Output for use in Profibus applications where the state of the isolated drive enable node needs to be monitored
11	Y	Y Bus (Drive – True)
12	Z	Z Bus (Drive – Inverse)
13	B	B Bus (Receive – Inverse)
14	A	A Bus (Receive – True)
15	GND <sub>2</sub>	Output Power Supply Ground Return
16	V <sub>DD2</sub>	Output Power Supply



## Driver Section

Electrical Specifications are  $T_{\min}$  to  $T_{\max}$  and  $V_{DD} = 4.5\text{ V}$  to  $5.5\text{ V}$ , unless otherwise stated.

Parameters	Symbol	Min.	Typ. <sup>(5)</sup>	Max.	Units	Test Conditions
Input Clamp Voltage	$V_{IK}$			-1.5	V	$I_L = -18\text{ mA}$
Output voltage	$V_O$			$V_{DD}$	V	$I_O = 0$
Differential Output Voltage <sup>(12)</sup>	$ V_{OD1} $			$V_{DD}$	V	$I_O = 0$
Differential Output Voltage <sup>(12)</sup>	$ V_{OD2} $	2.5	3	5	V	$R_L = 54\ \Omega$ , $V_{DD} = 5\text{ V}$
Differential Output Voltage <sup>(12, 6)</sup>	$V_{OD3}$	2.3		5	V	$R_L = 54\ \Omega$ , $V_{DD} = 4.5\text{ V}$
Change in Magnitude of Differential Output Voltage <sup>(7)</sup>	$\Delta V_{OD} $			$\pm 0.2$	V	$R_L = 54\ \Omega$ or $100\ \Omega$
Common Mode Output Voltage	$V_{OC}$			3	V	$R_L = 54\ \Omega$ or $100\ \Omega$
Change in Magnitude of Common Mode Output Voltage <sup>(7)</sup>	$\Delta V_{OC} $			$\pm 0.2$	V	$R_L = 54\ \Omega$ or $100\ \Omega$
Output Current <sup>(4)</sup>	$I_O$			1 -0.8	mA	Output Disabled, $V_O = 12$ $V_O = -7$
High Level Input Current	$I_{IH}$			10	$\mu\text{A}$	$V_I = 3.5\text{ V}$
Low Level Input Current	$I_{IL}$			-10	$\mu\text{A}$	$V_I = 0.4\text{ V}$
Absolute [Short-circuit Output Current]	$I_{OS}$			250	mA	$-7\text{ V} > V_O < 12\text{ V}$
Supply Current	$V_{DD1} = +5\text{ V}$		4	6	mA	No Load (Outputs Enabled)
	$V_{DD1} = +3.3\text{ V}$		3	4		

### Notes (apply to both driver and receiver sections):

- All Voltage values are with respect to network ground except differential I/O bus voltages.
- Differential input voltage is measured at the noninverting terminal A with respect to the inverting terminal B.
- Skew limit is the maximum propagation delay difference between any two devices at  $25^\circ\text{C}$ .
- The power-off measurement in ANSI Standard EIA/TIA-422-B applies to disabled outputs only and is not applied to combined inputs and outputs.
- All typical values are at  $V_{DD1}, V_{DD2} = 5\text{ V}$  or  $V_{DD1} = 3.3\text{ V}$  and  $T_A = 25^\circ\text{C}$ .
- $-7\text{ V} < V_{CM} < 12\text{ V}$ ;  $4.5\text{ V} < V_{DD} < 5.5\text{ V}$ .
- $\Delta|V_{OD}|$  and  $\Delta|V_{OC}|$  are the changes in magnitude of  $V_{OD}$  and  $V_{OC}$ , respectively, that occur when the input is changed from one logic state to the other.
- This applies for both power on and power off, refer to ANSI standard RS-485 for exact condition. The EIA/TIA-422-B limit does not apply for a combined driver and receiver terminal.
- Includes 10 ns read enable time. Maximum propagation delay is 25 ns after read assertion.
- Pulse skew is defined as  $|t_{PLH} - t_{PHL}|$  of each channel.
- Absolute Maximum specifications mean the device will not be damaged if operated under these conditions. It does not guarantee performance.
- Differential output voltage is measured at terminal Y with respect to Z.

## Receiver Section

Electrical Specifications are  $T_{min}$  to  $T_{max}$  and  $V_{DD} = 4.5\text{ V to }5.5\text{ V}$ , unless otherwise stated.

Parameters	Symbol	Min.	Typ. <sup>(5)</sup>	Max.	Units	Test Conditions
Positive-going Input Threshold Voltage <sup>(2)</sup>	$V_{IT+}$			0.2	V	$-7\text{ V} > V_{CM} < 12\text{ V}$
Negative-going Input Threshold Voltage <sup>(2)</sup>	$V_{IT-}$	-0.2			V	$-7\text{ V} > V_{CM} < 12\text{ V}$
Hysteresis Voltage ( $V_{IT+} - V_{IT-}$ )	$V_{HYS}$		40		mV	$V_{CM} = 0\text{ V}$ , $T = 25^\circ\text{C}$
High Level Digital Output Voltage	$V_{OH}$	$V_{DD} - 0.2$	$V_{DD}$		V	$V_{ID} = 200\text{ mV}$ $I_{OH} = -20\text{ }\mu\text{A}$
Low Level Digital Output Voltage	$V_{OL}$			0.2	V	$V_{ID} = -200\text{ mV}$ $I_{OH} = 20\text{ }\mu\text{A}$
High-impedance-state output current	$I_{OZ}$			$\pm 1$	$\mu\text{A}$	$V_O = 0.4\text{ to } (V_{DD2} - 0.5)\text{ V}$
Line Input Current <sup>(8)</sup>	$I_I$			1	mA	$V_I = 12\text{ V}$
				-0.8	mA	$V_I = -7\text{ V}$
Input Resistance	$R_I$	20			k $\Omega$	
Supply Current	$I_{DD2}$		5	8	mA	No load (Outputs Enabled)

## Switching Characteristics

$V_{DD1} = +5\text{ V}$ , $V_{DD2} = +5\text{ V}$						
Parameters	Symbol	Min.	Typ. <sup>(5)</sup>	Max.	Units	Test Conditions
Data Rate		40			Mbps	$R_L = 54\text{ }\Omega$ , $C_L = 50\text{ pF}$
Propagation Delay <sup>(2, 9)</sup>	$t_{PD}$		27	35	ns	$V_O = -1.5\text{ to }1.5\text{ V}$ , $C_L = 15\text{ pF}$
Pulse Skew <sup>(2, 10)</sup>	$t_{SK}(P)$		1	6	ns	$V_O = -1.5\text{ to }1.5\text{ V}$ , $C_L = 15\text{ pF}$
Skew Limit <sup>(3)</sup>	$t_{SK}(LIM)$		2	12	ns	$R_L = 54\text{ }\Omega$ , $C_L = 50\text{ pF}$
Output Enable Time To High Level	$t_{PZH}$		15	25	ns	$C_L = 15\text{ pF}$
Output Enable Time To Low Level	$t_{PZL}$		15	25	ns	$C_L = 15\text{ pF}$
Output Disable Time From High Level	$t_{PHZ}$		15	25	ns	$C_L = 15\text{ pF}$
Output Disable Time From Low Level	$t_{PLZ}$		15	25	ns	$C_L = 15\text{ pF}$
$V_{DD1} = +3.3\text{ V}$ , $V_{DD2} = +5\text{ V}$						
Parameters	Symbol	Min.	Typ. <sup>(5)</sup>	Max.	Units	Test Conditions
Data Rate		40			Mbps	$R_L = 54\text{ }\Omega$ , $C_L = 50\text{ pF}$
Propagation Delay <sup>(2, 9)</sup>	$t_{PD}$		30	38	ns	$V_O = -1.5\text{ to }1.5\text{ V}$ , $C_L = 15\text{ pF}$
Pulse Skew <sup>(2, 10)</sup>	$t_{SK}(P)$		1	6	ns	$V_O = -1.5\text{ to }1.5\text{ V}$ , $C_L = 15\text{ pF}$
Skew Limit <sup>(3)</sup>	$t_{SK}(LIM)$		4	12	ns	$R_L = 54\text{ }\Omega$ , $C_L = 50\text{ pF}$
Output Enable Time To High Level	$t_{PZH}$		17	27	ns	$C_L = 15\text{ pF}$
Output Enable Time To Low Level	$t_{PZL}$		17	27	ns	$C_L = 15\text{ pF}$
Output Disable Time From High Level	$t_{PHZ}$		17	27	ns	$C_L = 15\text{ pF}$
Output Disable Time From Low Level	$t_{PLZ}$		17	27	ns	$C_L = 15\text{ pF}$

## Power Consumption

IsoLoop Isolators achieve their low power consumption from the way they transmit data across the isolation barrier. By detecting the edge transitions of the input logic signal and converting these to narrow current pulses, a magnetic field is created around the GMR Wheatstone bridge. Depending on the direction of the magnetic field, the bridge causes the output comparator to switch following the input logic signal. Since the current pulses are narrow, about 2.5 ns, the power consumption is independent of mark-to-space ratio and solely dependent on frequency. This has obvious advantages over optocouplers, which have power consumption heavily dependent on frequency and time.

**Table 2. Typical Dynamic Supply Currents.**

Data Rate (Mbps)	I <sub>DD1</sub>	I <sub>DD2</sub>
1	100 $\mu$ A	100 $\mu$ A
10	1 mA	1 mA
20	2 mA	2 mA
40	4 mA	4 mA

## Power Supply Decoupling

Both V<sub>DD1</sub> and V<sub>DD2</sub> must be bypassed with 47 nF ceramic capacitors. These should be placed as close as possible to V<sub>DD</sub> pins for proper operation. Additionally, V<sub>DD2</sub> should be bypassed with a 10  $\mu$ F tantalum capacitor.

## DC Correctness

The IL3585 incorporates a patented refresh circuit to maintain the correct output state with respect to data input. At power up, the bus outputs will follow the Function Table shown on Page 1. The DE input should be held low during power-up to eliminate false drive data pulses from the bus. An external power supply monitor to minimize glitches caused by slow power-up and power-down transients is not required.

## Application Information

### Receiver Features

The receiver includes a “fail-safe if open” function that guarantees a high level output if the receiver inputs are unconnected (floating). The receiver output “R” has tri-state capability via the active low  $\overline{RE}$  input.

### Driver Features

The RS-422 driver is differential output and delivers at least 1.5 V across a 54  $\Omega$  load. Drivers feature low propagation delay skew to maximize bit width and minimize EMI. Drivers have tri-state capability via the active-high DE input.

### Receiver Data Rate, Cables and Terminations

The IL3522 is intended for networks up to 4,000 feet (1,200 m), but the maximum data rate decreases as cable length increases. Twisted pair cable should be used in all networks since they tend to pick up noise and other electromagnetically induced voltages as common mode signals, which are effectively rejected by the differential receivers.

## Fail-Safe Operation

“Fail-safe operation” is defined here as the forcing of a logic high state on the “R” output in response to an open-circuit condition between the “A” and “B” lines of the bus, or when no drivers are active on the bus.

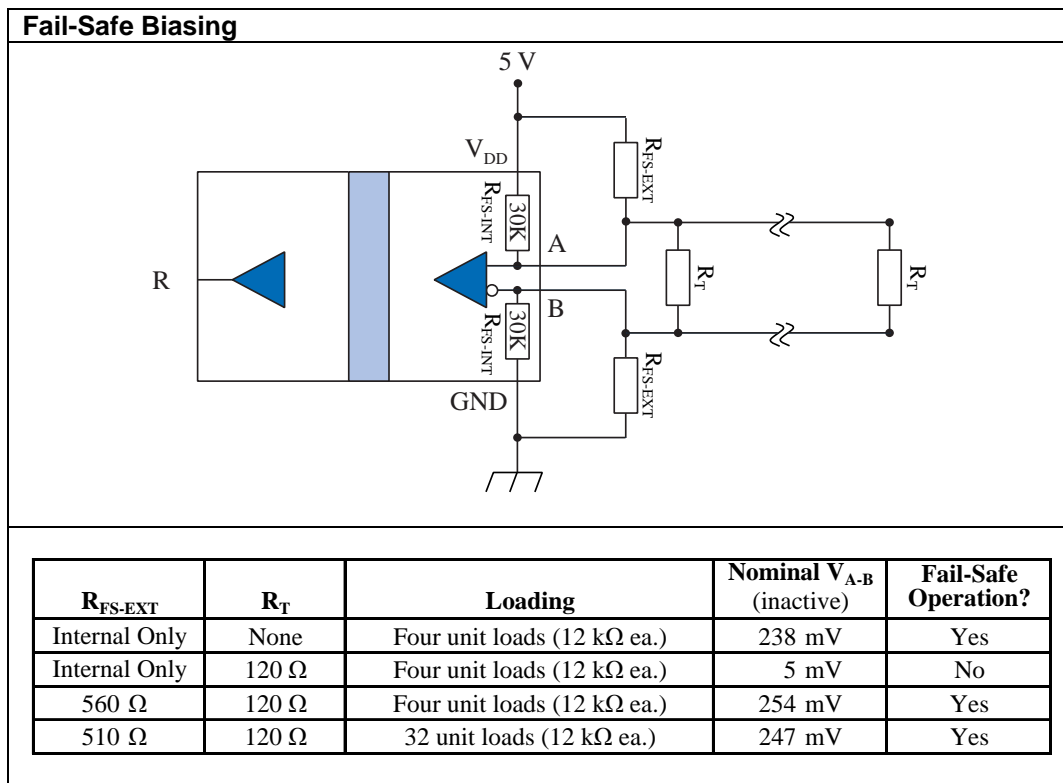
Proper biasing can ensure fail-safe operation, that is a known state when there are no active drivers on the bus. IL3000-Series Isolated Transceivers include internal pull-up and pull-down resistors of approximately 30 k $\Omega$  in the receiver section (R<sub>FS-INT</sub>; see figure below). These internal resistors are designed to ensure failsafe operation but only if there are no termination resistors. The entire V<sub>DD</sub> will appear between inputs “A” and “B” if there is no loading and no termination resistors, and there will be more than the required 200 mV with up to four RS-422 worst-case Unit Loads of 12 k $\Omega$ . Many designs operating below 1 Mbps or less than 1,000 feet are unterminated. Termination resistors may not be necessary for very low data rates and very short cable runs because reflections have time to settle before data sampling, which occurs at the middle of the bit interval.

In busses with low-impedance termination resistors, however, the differential voltage across the conductor pair will be close to zero with no active drivers. In this case the state of the bus is indeterminate, and the idle bus will be susceptible to noise. For example, with 120  $\Omega$  termination resistors (R<sub>T</sub>) on each end of the cable, and four Unit Loads (12 k $\Omega$  each), without external fail-safe biasing resistors the internal pull-up and pull-down resistors will produce a voltage between inputs “A” and “B” of only about 5 mV. This is not nearly enough to ensure a known state. External fail-safe biasing resistors (R<sub>FS-EXT</sub>) at one end of the bus can ensure fail-safe operation with a terminated bus. Resistors should be

selected so that under worst-case power supply and resistor tolerances there is at least 200 mV across the conductor pair with no active drivers to meet the input sensitivity specification of the RS-422 standard.

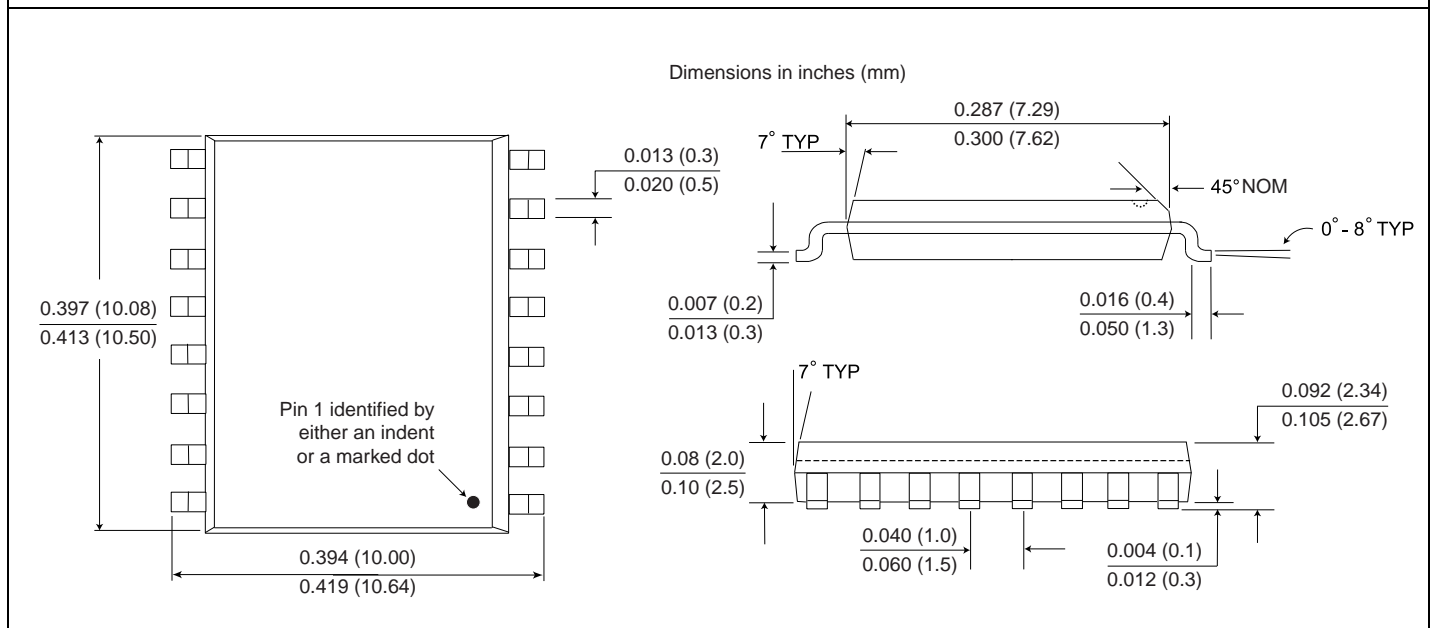
Using the same value for pull-up and pull-down biasing resistors maintains balance for positive- and negative going transitions. Lower-value resistors increase inactive noise immunity at the expense of quiescent power consumption. Note that each Unit Load on the bus adds a worst-case loading of 12 kΩ across the conductor pair, and 32 Unit Loads add 375 Ω worst-case loading. The more loads on the bus, the lower the required values of the biasing resistors.

In the example with two 120 Ω termination resistors and four Unit Loads, 560 Ω external biasing resistors provide more than 200 mV between “A” and “B” with adequate margin for power supply variations and resistor tolerances. This ensures a known state when there are no active drivers. Other illustrative examples are shown in the table below.



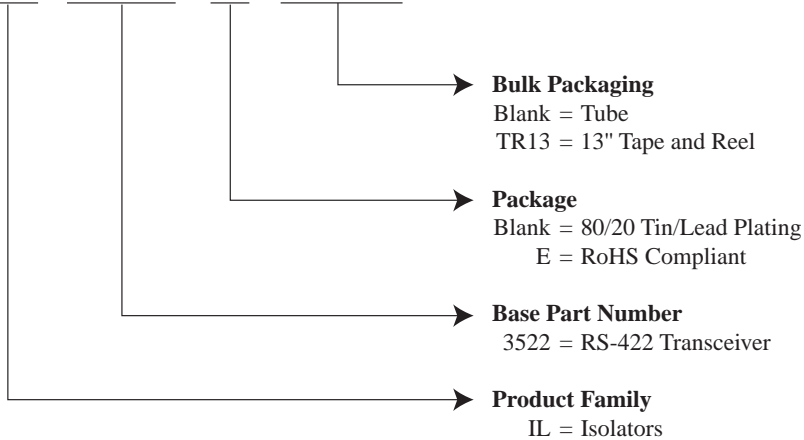
**Package Drawings, Dimensions and Specifications**

**0.3" 16-pin SOIC Package**



**Ordering Information and Valid part Numbers**

**IL 3522 E TR13**



**Valid Part Numbers**

- IL3522
- IL3522E
- IL3522TR13
- IL3522E TR13





## Revision History

---

<b>ISB-DS-001-IL3522-E</b> <b>September 2007</b>	<ul style="list-style-type: none"><li>• Changed ordering information to reflect that devices are now fully RoHS compliant with no exemptions.</li></ul>
<b>ISB-DS-001-IL3522-D</b> <b>August 2007</b>	<ul style="list-style-type: none"><li>• Reorganized specification tables</li></ul>
<b>ISB-DS-001-IL3522-C</b> <b>April 2007</b>	<ul style="list-style-type: none"><li>• Eliminated soldering profile chart</li></ul>
<b>ISB-DS-001-IL3522-B</b>	<ul style="list-style-type: none"><li>• Specified “open” input condition in truth table</li><li>• Added fail-safe biasing section.</li><li>• Revised package drawing.</li></ul>
<b>ISB-DS-001-IL3522-A</b>	Initial Release

## About NVE

NVE is an ISO 9001 Certified Company.

NVE Corporation is a high technology components manufacturer having the unique capability to combine leading edge Giant Magnetoresistive (GMR) materials with integrated circuits to make high performance electronic components. Products include Magnetic Field Sensors, Magnetic Field Gradient Sensors (Gradiometer), Digital Magnetic Field Sensors, Digital Signal Isolators and Isolated Bus Transceivers.

NVE is a leader in GMR research and in 1994 introduced the world's first products using GMR material, a line of GMR magnetic field sensors that can be used for position, magnetic media, wheel speed and current sensing.

NVE is located in Eden Prairie, Minnesota, a suburb of Minneapolis. Please visit our Web site at [www.nve.com](http://www.nve.com) or call 952-829-9217 for information on products, sales or distribution.

NVE Corporation  
11409 Valley View Road  
Eden Prairie, MN 55344-3617 USA  
Telephone: (952) 829-9217  
Fax: (952) 829-9189  
Internet: [www.nve.com](http://www.nve.com)  
e-mail: [isoinfo@nve.com](mailto:isoinfo@nve.com)

*The information provided by NVE Corporation is believed to be accurate. However, no responsibility is assumed by NVE Corporation for its use, nor for any infringement of patents, nor rights or licenses granted to third parties, which may result from its use. No license is granted by implication, or otherwise, under any patent or patent rights of NVE Corporation. NVE Corporation does not authorize, nor warrant, any NVE Corporation product for use in life support devices or systems or other critical applications, without the express written approval of the President of NVE Corporation.*

***Specifications shown are subject to change without notice.***

ISB-DS-001-IL3522-E

September 2007