



IP113M LF

Preliminary Data Sheet

Managed 10/100Base-TX / FX Media Converter

Features

- A 10/100BASE-TX/ 100BASE-FX converter with a SMI port for management
- Built in a 10/100BASE-TX transceiver
- Built in a PHY for 100BASE-FX
- Built in a 2-port switch
 - Pass all packets without address and CRC check (optional)
 - Supports modified cut-through frame forwarding for low latency
 - Supports pure converter mode data forwarding for extreme low latency
 - Supports flow control for full and half duplex operation
 - Bandwidth control
 - Max packet length 1600 bytes
 - Optional forward fragments
- Built in 128Kb RAM for data buffer
- Supports 3.3v I/O tolerance SMI (MDC, MDIO) and MII registers for management
 - Configure local and remote IP113M LF through local SMI
 - Monitor local and remote IP113M LF through local SMI
 - Configure/ monitor TP port support (auto-negotiation or force 10M/100M, full/half)
 - Configure/ monitor flow control, bandwidth
 - Supports loop back test (In-band or out-band, auto or program)
 - The maintenance frame is compliant to TS-1000 standard (the Telecommunication Technology Committee, TTC)
- Supports Statistic Counters
- Supports auto MDI-MDIX function
- Supports link fault pass through function
- Supports far end fault function
- LED display for link/activity, full/half, 10/100
- Built in a watchdog timer to monitor internal switch error
- Supports EEPROM Configuration
- 0.25u CMOS technology
- Single 2.5V power supply
- 48-pin LQFP package
- Support Lead Free package (Please refer to the Order Information)

General Description

IP113M LF can be a 10/100BASE-TX to 100BASE-FX converter with an SMI port for management. It consists of a 2-port switch controller, a fast Ethernet transceiver and a PHY for 100BASE-FX. The transceivers in IP113M LF are designed in DSP approach with advance 0.25um technology; this results in high noise immunity and robust performance.

IP113M LF not only supports store and forward mode, it also supports modified cut through mode and pure converter mode for low latency data forwarding. IP113M LF can transmit packet(s) up to 1600 bytes to meet requirement of extra long packets.

IP113M LF supports remote management function. IP113M LF supports remote access functions and it also supports remote monitor and loop back test function defined in TS-1000 spec (*). Local IP113M LF can access the MII registers of remote IP113M LF by programming local IP113M LF's MII registers via SMI connection. IP113M LF implements the management function using the maintenance frame defined in TS-1000 spec.

IP113M LF supports IEEE802.3x, collision base backpressure, and various LED functions, etc. These functions can be configured to fit the different requirements by feeding operation parameters via EEPROM interface or pull up/down resistors on specified pins.

* The Telecommunication Technology Committee owns the copyright of TS-1000.





Contents

Features.....	1
General Description.....	1
Contents	2
Revision History.....	4
Block Diagram	5
Application Diagram	5
Applications	6
Managed converter (up to 31 pieces of IP113M LF in a chassis)	6
Un-managed converter.....	6
PIN Diagram.....	7
1. PIN Description.....	8
PIN Description (continued).....	9
PIN Description (continued).....	10
PIN Description (continued).....	11
PIN Description (continued).....	12
PIN Description (continued).....	13
2. Functional Description	14
2.1 Data forwarding	14
2.1.1 Modified cut-through mode.....	14
2.1.2 Pure converter mode.....	14
2.1.3 Fragment forwarding	14
2.2 TP port force mode.....	15
2.3 Remote management.....	16
2.3.1 Maintenance frame format at MII	16
2.3.2 Bit definition of maintenance frame.....	16
2.3.3 Bit definition of maintenance frame (continued).....	17
2.3.4 Remote monitor	18
2.3.5 Remote control read.....	18
2.3.6 Remote control write.....	18
2.4 Loop back test	19
2.4.1 Out-band loop back test	19
2.4.2 In-band loop back test.....	21
2.4.3 Programming procedure for In-band loop back test.....	22
2.4.4 Auto in-band loop back test.....	22
2.5 Remote monitor without SMI programming.....	23
2.5.1 Auto sends (Status change notice).....	23
2.6 Link fault pass through	24
2.6.1 Normal case	24
2.6.2 Remote TP port disconnected.....	24
2.6.3 FX port disconnected	25
2.6.4 LED diagnostic functions for fault indication	25
2.7 EEPROM – store the initial value	26
2.8 Auto MDI_MDIX.....	27
2.9 Serial management interface.....	28
3. MII registers	29
3.1 The basic MII registers	30
The basic MII registers 0.....	30
The basic MII registers 1	32
The basic MII registers 1(continued).....	33
The basic MII registers 2 , 3.....	34
The basic MII registers 4.....	35
The basic MII registers 5.....	36



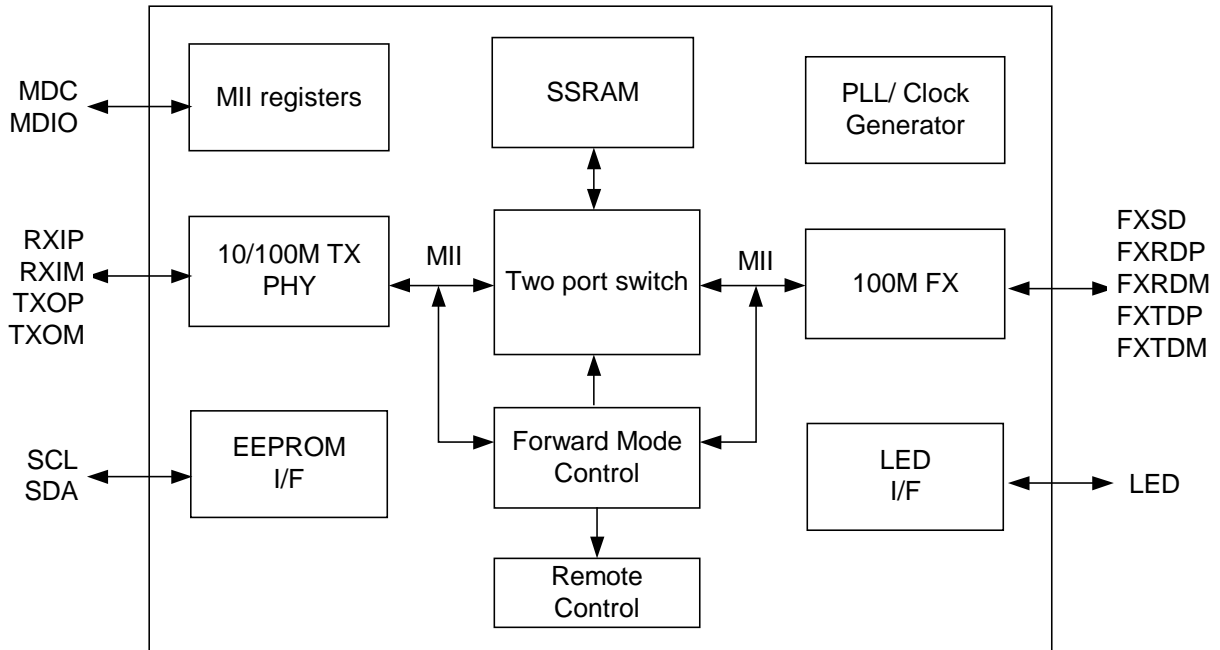
	The basic MII registers 6	37
3.2	Extended MII registers and EEPROM registers	38
	Extended MII registers and EEPROM registers 16.....	39
	Extended MII registers and EEPROM registers 17.....	40
	Extended MII registers and EEPROM registers 17(continued).....	41
	Extended MII registers and EEPROM registers 18.....	42
	Extended MII registers and EEPROM registers 19.....	43
	Extended MII registers and EEPROM registers 20.....	44
	Extended MII registers and EEPROM registers 20(continued).....	45
	Extended MII registers and EEPROM registers 21.....	46
	Extended MII registers and EEPROM registers 22.....	47
	Extended MII registers and EEPROM registers 22(continued).....	48
	Extended MII registers and EEPROM registers 23.....	49
	Extended MII registers and EEPROM registers 23(continued).....	50
	Extended MII registers and EEPROM registers 24.....	51
	Extended MII registers and EEPROM registers 25.....	52
	Extended MII registers and EEPROM registers 26.....	53
	Extended MII registers and EEPROM registers 27,28,29,30.....	54
	Extended MII registers and EEPROM registers 31.....	55
4.	Electrical Characteristics	57
	4.1 Absolute Maximum Rating.....	57
	4.2 DC Characteristic	57
5.	Order Information.....	57
6.	Package Detail.....	58



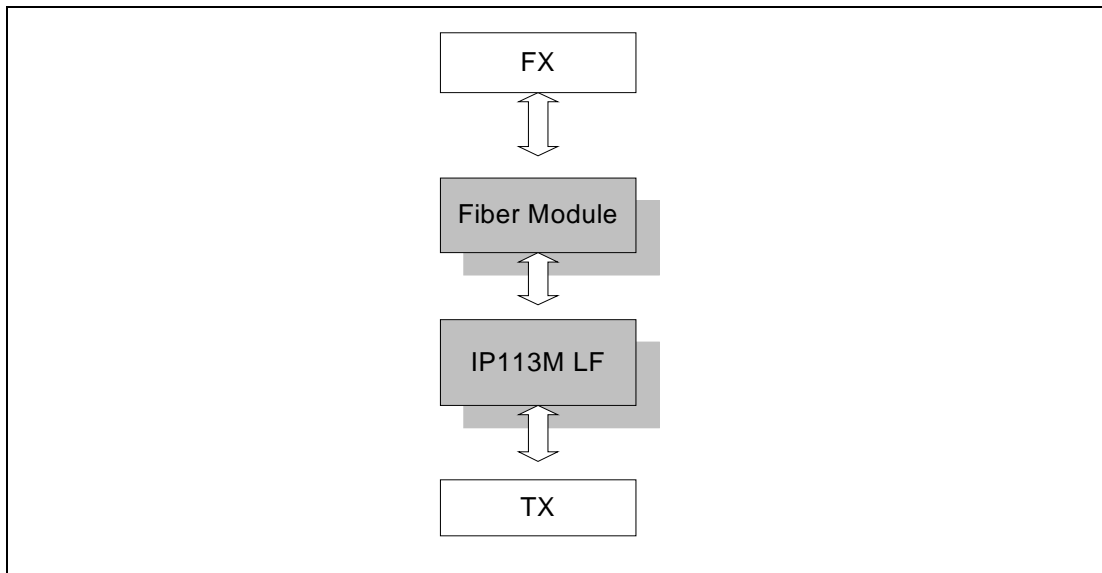
Revision History

Revision #	Change Description
IP113M LF-DS-R01	Initial release.
IP113M LF-DS-R02	
IP113M LF-DS-R03	
IP113M LF-DS-R04	Remove Operation Junction Temperature.
IP113M LF-DS-R05	TP port should be linked at 100M full duplex when working at this mode.
IP113M LF-DS-R06	Update page 42,1
IP113M LF-DS-R07	Add the order information for lead free package. Update page 50 (Item:31.2 & 31.3)
IP113M LF-DS-R08	Update page 27 Update the default value of following registers MII reg3.[5:4], reg4.10, reg6.2, reg16.6, reg18.3, reg18.13, reg22.4, reg22.6, reg23.13 and Description of reg26.0 Add explanation to MII reg31.[5:4], reg31.3, reg31.2
IP113M LF-DS-R09	Revise the diagram.
IP113M LF-DS-R10	Modify the IPL : pull-low and IPH : pull-high on page 8.
IP113M LF-DS-R11	Add Power Pin description on Page13

Block Diagram

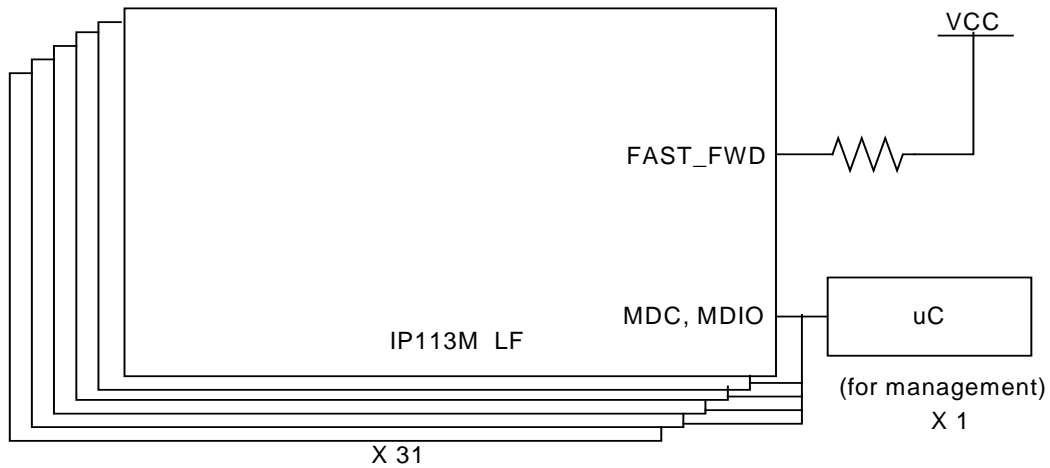


Application Diagram

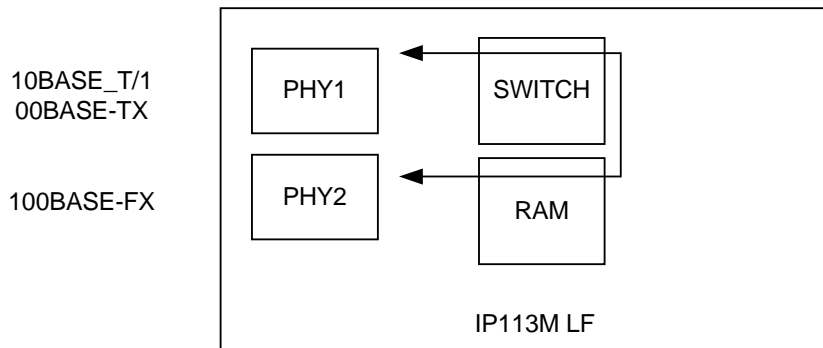


Applications

Managed converter (up to 31 pieces of IP113M LF in a chassis)



Un-managed converter

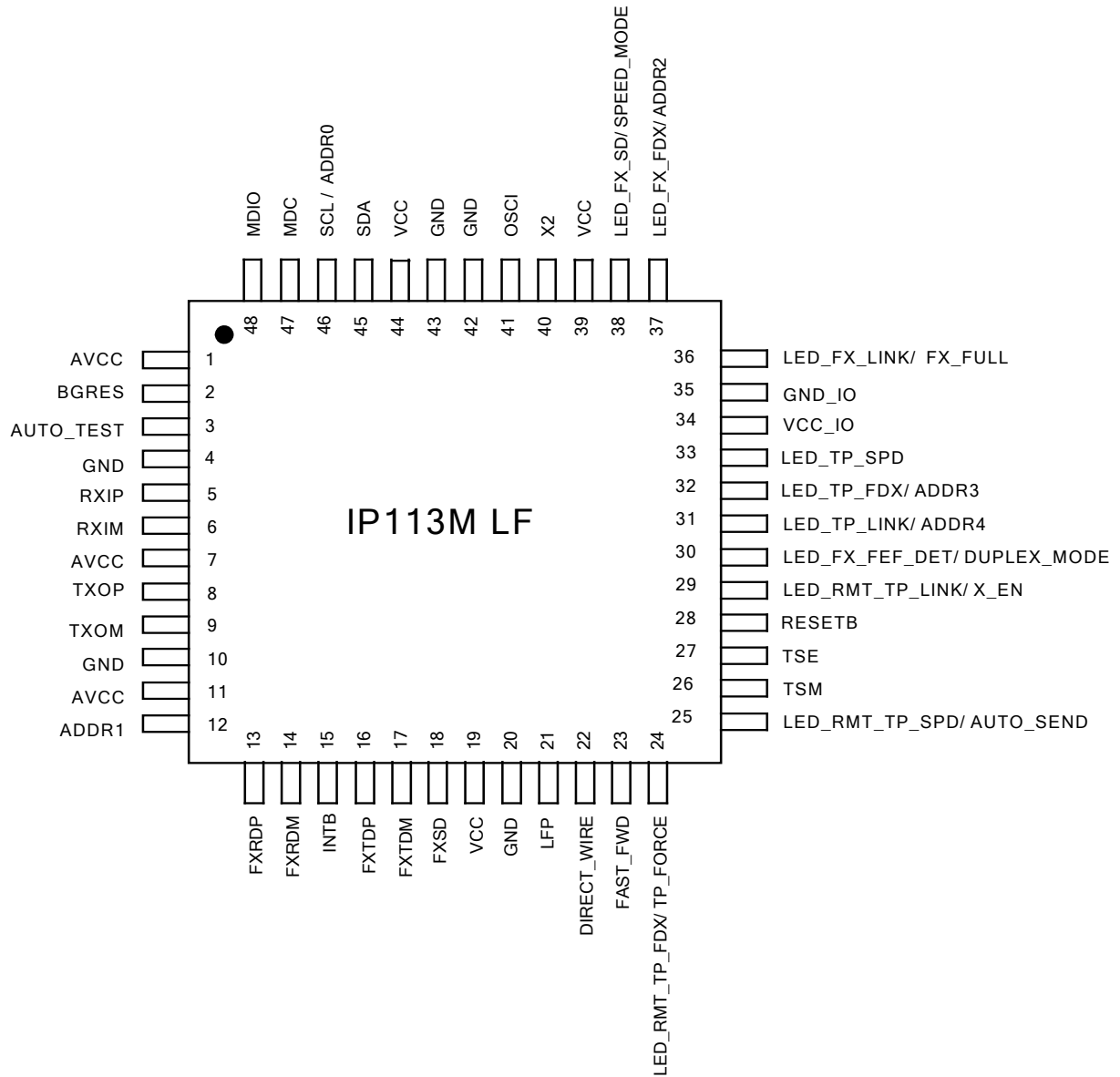




IP113M LF

Preliminary Data Sheet

PIN Diagram





1. PIN Description

Type	Description
I	Input pin
O	Output pin
IPH	Input pin with internal pull-high resistor
IPL	Input pin with internal pull-low resistor

Pin no.	Label	Type	Description
Transceiver			
5, 6	RXIP, RXIM	I	TP receive
8, 9	TXOP, TXOM	O	TP transmit
2	BGRES	O	Band gap resistor It is connected to GND through a 6.19k (1%) resistor in application circuit.
18	FXSD	I	100Base-FX signal detect Fiber signal detect. It is an input signal from fiber MAU. Fiber signal detect is active if the voltage on FXSD is higher than the threshold voltage, which is 1.35v \pm 5% when VCC is equal to 2.5v.
13, 14	FXRDP, FXRDM	I	Fiber receiver data pair Common-mode voltage of FXRDP and FXRDM are suggested to near 0.5x AVCC. When voltage peak-to-peak > 0.1V, FXRX could be workable.
16, 17	FXTDP, FXTDM	O	Fiber transmitter data pair FXTX with the external 100 Ω resistor. Common-mode voltage of FXTDP and FXTDM are suggested to near 0.5x AVCC. Swing of Voltage \geq 0.8V.



PIN Description (continued)

Pin no.	Label	Type	Description
LED pins			
31	LED_TP_LINK	O	TP port link LED On: link ok, Off: link fail, Flash: link ok & activity (Flash: on for 20ms and off for 80ms)
33	LED_TP_SPD	O	TP port speed LED On: 100M, Off: 10M
32	LED_TP_FDX	O	TP port full duplex LED On: full, Off: half, Flash: half & collision happens (Flash: on for 20ms and off for 80ms)
36	LED_FX_LINK	O	Fiber port link LED On: link ok, Off: link fail, Flash: link ok & activity (Flash: on for 20ms and off for 80ms)
37	LED_FX_FDX	O	Fiber port full duplex LED On: full, Off: half, Flash: half & collision happens (Flash: on for 20ms and off for 80ms)
38	LED_FX_SD	O	Fiber port signal detect On: FXSD is active, Off: FXSD is inactive
30	LED_FX_FEF_DET	O	Far end fault pattern received Far End Fault Pattern received: LED On: 80ms, LED Off: 20ms Far End Fault Pattern not Receive: LED is always off
29	LED_RMT_TP_LINK	O	LED for link status of TP port of remote IP113M LF
			Pin 3 AUTO_TEST = 0 Pin 3 AUTO_TEST = 1 On: link ok, Flash Off: link fail (On: 80ms, Off: 20ms)
25	LED_RMP_TP_SPD	O	LED for speed of TP port of remote IP113M LF
			Pin 3 AUTO_TEST = 0 Pin 3 AUTO_TEST = 1 On: 100M, On: loop back test complete, Off: 10M Off: under loop back test
24	LED_RMT_TP_FDX	O	LED for full duplex of TP port of remote IP113M LF
			Pin 3 AUTO_TEST = 0 Pin 3 AUTO_TEST = 1 On: full duplex, On: loop back test result is ok, Off: half duplex Off: loop back test result fails

Note: The output of LED pin is logic low when the LED is on.



PIN Description (continued)

Pin no.	Label	Type	Description
LED pins used as initial setting mode during reset			
29	X_EN	IPH	Flow control enable on TP port and fiber port 1: enable (default), 0: disable
24	TP_FORCE	IPL	Local TP port auto negotiation enable 1: TP port supports auto-negotiation with limited capability defined by pin 38 SPEED_MODE and pin 30 DUPLEX_MODE. 0: TP port supports auto-negotiation with 10M/100M, full/half capability (default) The setting may be updated by programming EEPROM register 3.5 or MII register 20.13.
38	SPEED_MODE	IPH	Local TP port speed selection 1: TP port has the 100Mb speed ability 0: TP port has the 10Mb speed ability only It is valid only if pin 24 TP_FORCE is enabled.
30	DUPLEX_MODE	IPH	Local TP port duplex selection 1: TP port has the full duplex ability 0: TP port has the half duplex ability only It is valid only if pin 24 TP_FORCE is enabled.
25	AUTO_SEND	IPL	Auto send the status to the remote IP113M LF 1: enable 0: disable (default)
36	FX_FULL	IPH	Set the duplex of fiber port 1: full duplex (default) 0: half duplex
3	AUTO_TEST	IPL	Auto loop back test 1: enable When IP113M LF detects a low-to-high transition on this pin, it will perform loop back test for once. It supports an easy way to instruct IP113M LF performing fiber loop back test without programming MII registers. 0: disable (default)



PIN Description (continued)

Pin no.	Label	Type	Description
LED pins used as initial setting mode during reset			



PIN Description (continued)

Pin no.	Label	Type	Description															
MC operation mode																		
21	LFP	IPL	<p>Link fault pass through (LFP) 1: enable Link status of one port is forwarded to the other port. 0: disable (default)</p>															
22 23	DIRECT_WIRE FAST_FWD	IPL	<table border="1" style="width: 100%; border-collapse: collapse;"> <thead> <tr> <th style="text-align: center;">DIRECT_WIRE</th> <th style="text-align: center;">FAST_FWD</th> <th style="text-align: center;">Function</th> </tr> </thead> <tbody> <tr> <td style="text-align: center;">0</td> <td style="text-align: center;">0</td> <td>Store and forward switch mode (default)</td> </tr> <tr> <td style="text-align: center;">0</td> <td style="text-align: center;">1</td> <td>Modified cut-through switch mode</td> </tr> <tr> <td style="text-align: center;">1</td> <td style="text-align: center;">0</td> <td>Converter mode</td> </tr> <tr> <td style="text-align: center;">1</td> <td style="text-align: center;">1</td> <td>Converter mode with auto-change-forward function</td> </tr> </tbody> </table> <p>Store and forward switch mode: IP113M LF begins to forward a frame at the end of receiving a frame completely.</p> <p>Modified cut-through switch mode: IP113M LF begins to forward a frame after the first 64 bytes data received. TP port should be forced at 100M at this mode.</p> <p>Converter mode: Incoming frames are not buffered in IP113M LF to achieve the min latency. Both TP port and fiber port of IP113M LF should work at 100M full duplex in this mode. If TP port is linked at half duplex, the total length of UTP cable and fiber should be less than 60 meters to meet the requirement of CSMACD in IEEE802.3.</p> <p>Converter mode with auto-change-forward function: IP113M LF will change forward mode itself if it detects the speed is different in TP port and FX port.</p> <p>In converter mode, IP113M LF forwards IEEE802.3x pause frame directly. In the other modes, IP113M LF doesn't forward IEEE802.3x pause frame directly, it sends out pause frame when its internal buffer is full.</p>	DIRECT_WIRE	FAST_FWD	Function	0	0	Store and forward switch mode (default)	0	1	Modified cut-through switch mode	1	0	Converter mode	1	1	Converter mode with auto-change-forward function
DIRECT_WIRE	FAST_FWD	Function																
0	0	Store and forward switch mode (default)																
0	1	Modified cut-through switch mode																
1	0	Converter mode																
1	1	Converter mode with auto-change-forward function																



PIN Description (continued)

Pin no.	Label	Type	Description
SMI interface			
47, 48	MDC, MDIO	I, IO	SMI interface The external MAC device uses the interface to program IP113M LF. MDIO is an open drain.
31, 32, 37, 12, 46	ADDR[4:0]	IPL	PHY address The external MAC device uses the address to identify each IP113M LF in a chassis. IP113M LF also uses ADDR[2:0] as EEPROM address A[2:0] to read EEPROM.

Pin no.	Label	Type	Description
EEPROM interface			
45, 46	SDA, SCL	IPH, O	EEPROM interface

Pin no.	Label	Type	Description
Misc.			
28	RESETB	I	Reset It is low active.
41, 40	OSCI, X2	I, O	Crystal pins OSCI and X2 are connected to a 25Mhz crystal. If a 25MHz oscillator is used, OSCI is connected to the oscillator's output and X2 should be left open.
26, 27	TSM, TSE	IPL	Scan pins These two pins should be left open or connected to ground for normal operation.
15	INTB	O	Interrupt 0: an interrupt happens. Its output is low. 1: no interrupt. Its output is high impedance and it needs an external pull up resistor.

Pin no.	Label	Type	Description
Power			
1,7,11	AVCC		2.5V Analog Power
19,39,44	VCC		2.5V Digital Power
34	VCC_IO		3.3V or 2.5V Digital Power
35	GND_IO		I/O Ground
4,10,20, 42,43	GND		Ground

2. Functional Description

2.1 Data forwarding

IP113M LF supports three types of data forwarding mode, store & forward mode, modified cut-through mode and pure converter mode. It can forward a frame despite of its address and CRC error. IP113M LF begins to forward the received data when it receives the frame completely. The latency depends on the packet length.

2.1.1 Modified cut-through mode

IP113M LF begins to forward the received data when it receives the first 64 bytes of the frame. The latency is about 512 bits time width. The maximum packet length is up to 1600 bytes in this mode. Please refer to pin description of FAST_FWD for configuration information.

2.1.2 Pure converter mode

IP113M LF operates with the minimum latency in this mode. The transmission flow does not wait until entire frame is ready, but instead it forwards the received data immediately after the data being received. Both transceivers are interconnected via internal MII and the internal switch engine and data buffer are not used. Both TP port and fiber port of IP113M LF should work at 100M full duplex in this mode. If TP port is linked at half duplex, the total length of UTP cable and fiber should be less than 60 meters to meet the requirement of CSMA/CD in IEEE802.3. The packet length is not limited at this mode. Please refer to pin description of DIRECT_WIRE for configuration information.

In converter mode, it is strongly recommended that both TP port and fiber port of IP113M LF should work at 100M full duplex. If TP port is linked at half duplex, the UTP cable length should be less than 30 meters to meet the requirement of CSMA/CD in IEEE802.3.

2.1.3 Fragment forwarding

IP113M LF forwards CRC error packets but it will filter fragments when it works in modified cut-through mode. IP113M LF forwards fragments if user turns on bit 3 of MII register 20.



2.2 TP port force mode

The TP port of IP113M LF can work at auto mode or force mode. The following table shows all of the combination of its TP port.

		Link partner's capability							
		AN on				AN off			
{TP_FORCE, SPEED_MODE, DUPLEX_MODE}	IP113M LF's link result	100F	100H	10F	10H	100F	100H	10F	10H
	IP113M LF's capability								
011	100/10M, Full/Half, AN on	100F	100H	10F	10H	100H	100H	10H	10H
010	100/10M, Half, AN on	X	100H	X	10H	100H	100H	10H	10H
001	10M, Full/Half, AN on	X	X	10F	10H	100H	100H	10H	10H
000	10M, Half, AN on	X	X	X	10H	100H	100H	10H	10H
111	100M, Full, AN on	100F	X	X	X	100F	100F	X	X
110	100M, Half, AN on	X	100H	X	X	100H	100H	X	X
101	10M, Full, AN on	X	X	10F	X	X	X	10F	10F
100	10M, Half, AN on	X	X	X	10H	X	X	10H	10H

Note:

AN on: with auto-negotiation capability

AN off: without auto-negotiation capability

100F: 100M full duplex

100H: 100M half duplex

10F: 10M full duplex

10H: 10M half duplex



2.3 Remote management

IP113M LF supports remote monitor and configuration function. IP113M LF implement the function by exchanging maintenance frames on fiber ports between two IP113M LF's. The maintenance frames are not forwarded to TP ports. The frame format follows the TS-1000 standard.

2.3.1 Maintenance frame format at MII

TXD0	F0	F4	C0	C4	C8	C12	S0	S4	S8	S12	M0	M4	M8	M12	M16	M20	M24	M28	M32	M36	M40	M44	E0	E4
TXD1	F1	F5	C1	C5	C9	C13	S1	S5	S9	S13	M1	M5	M9	M13	M17	M21	M25	M29	M33	M37	M41	M45	E1	E5
TXD2	F2	F6	C2	C6	C10	C14	S2	S6	S10	S14	M2	M6	M10	M14	M18	M22	M26	M30	M34	M38	M42	M46	E2	E6
TXD3	F3	F7	C3	C7	C11	C15	S3	S7	S11	S15	M3	M7	M11	M15	M19	M23	M27	M31	M35	M39	M43	M47	E3	E7

TXEN

2.3.2 Bit definition of maintenance frame

Bit	Item	Description	Note		
F7 – F0	Preamble	01010101	Fixed		
C0	Discriminator for the maintenance signal	0	Fixed		
C1	Direction	0: terminal MC → central MC 1: central MC → terminal MC (MC: media converter)			
C3 – C2	Command	00: Reserved 10: Indication 01: Request 11: Acknowledge			
C7 – C4	Version	0000	Fixed		
C15 – C8	Control signal	C15	C8	Function	
		0 0 0 0 0 0	01	Loop test start	
		0 0 0 0 0 0	00	Loop test finished	
		0 0 0 0 0 0	10	Status indication	
	Address [4:0]	R/W	11	R/W link partner's registers	
S0	Condition of power	0: normal, 1: power off			
S1	Situation of receiving optical power	0: normal, 1: abnormal			
S2	Terminal/ network side link	0: link up, 1: link down If S11="1", S2="X"			
S3	MC (media converter) fails	0: normal, 1: abnormal			
S4	Informing way for optical receiving power off	0: maintenance frame 1: Far end fault indication			
S5	Status indication for loop test	0: normal mode, 1: under loop test			

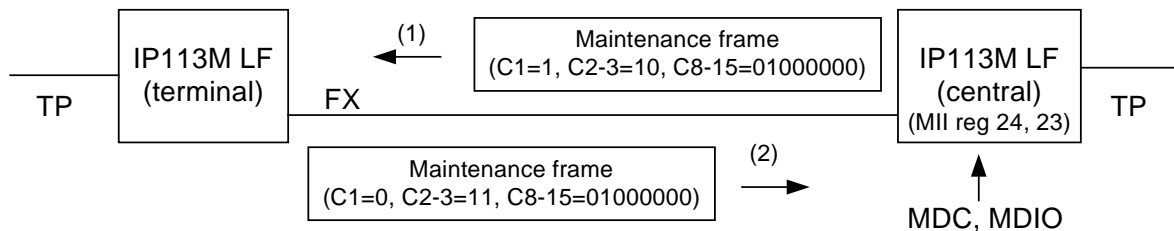


2.3.3 Bit definition of maintenance frame (continued)

Bit	Item	Description	Note
S6	Information for notice of terminal link status (Available for option B or not)	0: terminal IP113M LF does not support option B. 1: terminal IP113M LF supports option B, which can inform speed, duplex, and auto-negotiation in terminal IP113M LF. If S11 = "1", S6="X"	
S8 – S7	Terminal link speed	00: 10 Mbps 01: 100 Mbps 10: 1000 Mbps 11: others It is valid, if S6 = "1". If S2 or S11 = "1", S7, S8 = {X, X}	
S9	Duplex for the terminal side	1: full duplex, 0: half duplex It is valid, if S6 = "1". If S6 = "0", S9="0". If {S7, S8} = {1, 1}, S9="X" If S2 or S11 = "1", S9="X"	
S10	Auto-negotiation capability for the terminal side	1: available, 0: un-available It is valid, if S6 = "1". If S6 = "0", S10="0". If {S7, S8} = {1, 1}, S10="X" If S11 = "1", S10="X"	
S11	Number of interface in Terminal/ network side	0: one UTP 1: more than one UTP	
S15 – S12	Reserved		
M23 – M0	Vender code	Vender code for TTC standard It is C30900h.	
M47 – M24	Model number	Specified by vender It is 000000h.	
E7 – E0	FCS	CRC – 8 FCS calculation area: C0 - M47	

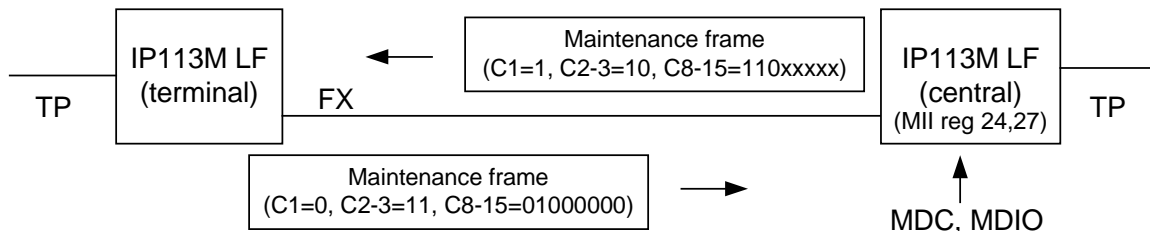
2.3.4 Remote monitor

Refer to the diagram below, users can instruct central IP113M LF, on the right, to issue a status request frame to get status defined in TS-1000 by programming MII register 24. The terminal IP113M LF, on the left, receives the status request frame and sends out its current status as a response frame onto the fiber port when it is available. The central IP113M LF receives the status frame and stores the status of terminal IP113M LF to its MII register 23. An acknowledge maintenance frame is store to MII register 26~30. The status of terminal IP113M LF is shown on the LEDs of central IP113M LF.



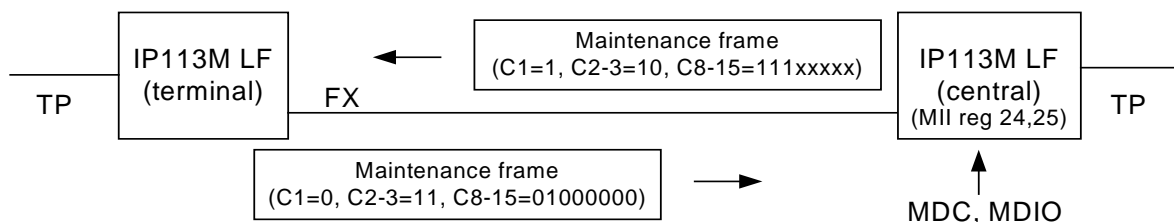
2.3.5 Remote control read

Users can instruct central IP113M LF to issue a remote control read frame to read the MII register of terminal IP113M LF by programming MII register 24. The bits [11:7] of the register 24 are filled with the address of register and bits [6:4] of the register 24 are filled with "011". The terminal IP113M LF receives the frame and sends out the content of the MII register to central IP113M LF when it is available. The central IP113M LF receives the frame and stores the data to MII register 27. An acknowledge maintenance frame is stored to MII register 26~30. The status of terminal IP113M LF is shown on LED of central IP113M LF.



2.3.6 Remote control write

Users can instruct central IP113M LF to issue a configure frame to write the MII register of terminal IP113M LF by programming MII register 24 and 25. The bits [11:7] of the register 24 are filled with the address of register and bits [6:4] of the register 24 are filled with "111". MII register 25 defines the data. The terminal IP113M LF receives the configure frame, configures itself according to the content of the frame and sends out its current status as a response frame onto the fiber port when it is available. The status of terminal IP113M LF is shown on LED of central IP113M LF.



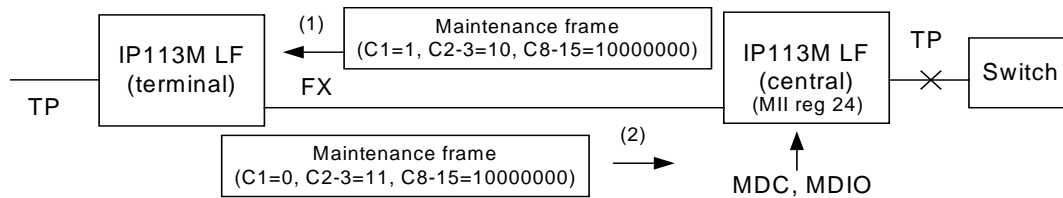
2.4 Loop back test

IP113M LF supports two kind of loop back test function, in-band loop back test and out-band loop back test.

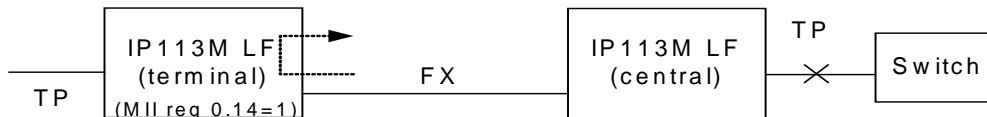
2.4.1 Out-band loop back test

Users can instruct central IP113M LF to issue a maintenance frame onto the fiber port by programming MII register 24 to request a loop back test. Central IP113M LF does not generate test frames and users need an external packet source from PC.

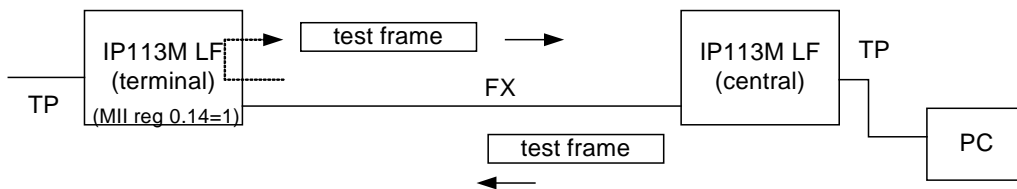
1. Disconnect switch port and instruct the terminal IP113M LF to perform loop back and disable terminal T2 timer by programming central IP113M LF through SMI



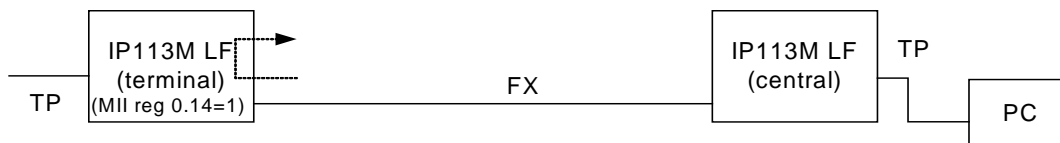
2. Terminal IP113M LF runs at loop back mode



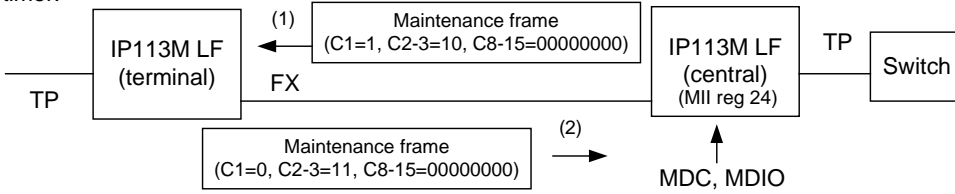
3. PC forces test frames to central IP113M LF and terminal IP113M LF loops back the frames.



4. PC reports the loop back test result after sending all test frames.



5. Reconnect switch and instruct the central IP113M LF to end loop back test and enable T2 timer.

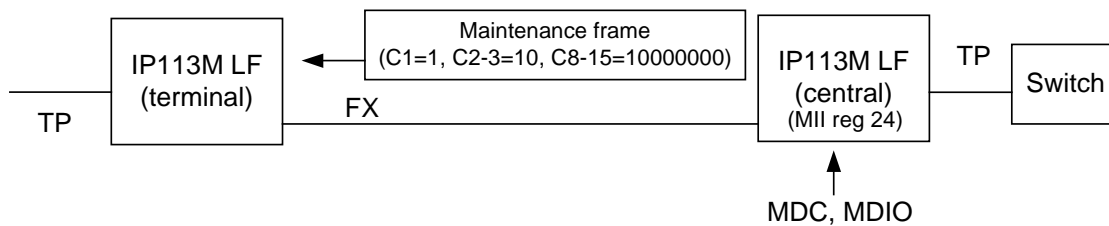


Loop back test (continued)

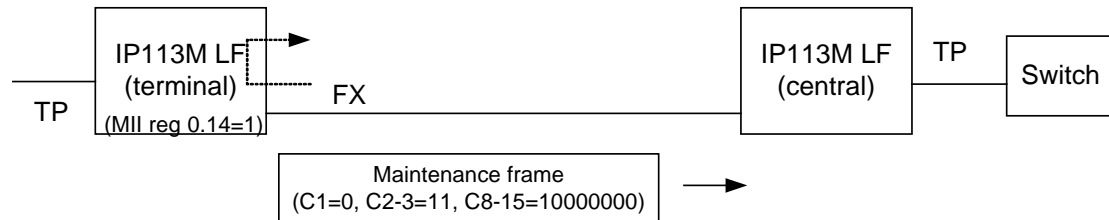
2.4.2 In-band loop back test

Besides performing the loop back test with an external packet source, IP113M LF supports an easy alternative. IP113M LF sends out private maintenance frame to do loop back test. All users have to do is to program MII registers through SMI.

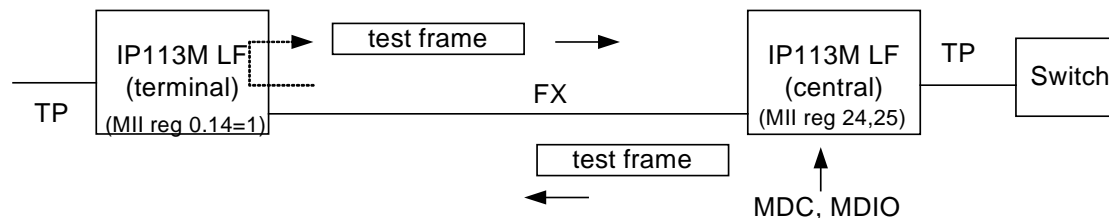
1. Disable receive function of central TP port and instruct the terminal IP113M LF to perform loop back and disable T2 timer by programming central IP113M LF through SMI



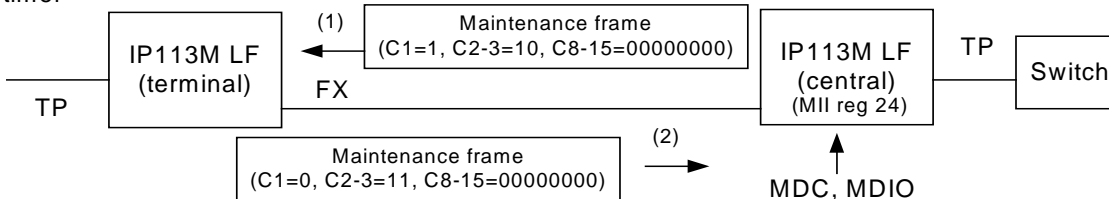
2. Terminal IP113M LF runs at loop back mode and acknowledges with maintenance frame



3. Central IP113M LF forces test frames to terminal IP113M LF and terminal IP113M LF loops back the test frames. Central IP113M LF checks the received test frame.



4. Central IP113M LF ends loop back test enables receive function of TP port and enable LP T2 timer





Loop back test (continued)

2.4.3 Programming procedure for In-band loop back test

Step	Description	C1	C3~C2	C15~C8	Note
1	Set local IP113M LF TP receive disabled				Set Reg. 20.14 off
2a	Set remote T2 timer disabled by maintenance frame	1	01	11 11 11 11	Reg24 and Reg 25
2	Set remote IP113M LF to be loop back mode enabled by maintenance frame	1	01	00 00 00 01	TS-1000: loop back set
3	Remote IP113M LF sends back loop back acknowledge	--	--	--	--
4	Send loop back test maintenance frame	1	01	11 01 10 11	Reg24 and Reg 25
5	Remote IP113M LF send back acknowledge	--	--	--	--
6	Local IP113M LF stores the loop back maintenance to Reg. 26~30 and checks CRC bit is in Reg. 26.12			--	
7	Repeat step 4~6 continuously			--	
8	Set remote IP113M LF to be loop back mode disable by maintenance frame	1	01	00 00 00 00	TC-1000: loop back end
9	Remote IP113M LF sends back loop back acknowledge	--	--	--	--
10	Set local IP113M LF TP receive enable				Set Reg. 20.14 on

2.4.4 Auto in-band loop back test

Step	Description
1	Set pin AUTO_TEST to "1" (The following step is executed automatically by IP113M LF)
1.1	Central IP113M LF sends loop back start request to remote IP113M LF and goes to CST2 state.
1.2	Remote IP113M LF sends loop back start acknowledge to Central IP113M LF and enters loop back test mode.
1.3	Central IP113M LF goes to CST1 state and begins sending 15 frames in 64 bytes.
1.4	Remote IP113M LF loops back the received frames at the TP port's PMD sub-layer.
1.5	Central IP113M LF checks the loop back frames and reports the result.
2	The LED pin LED_RMT_TP_LINK is Flash (on 80ms / off 20ms) during the auto loop back test period (AUTO_TEST is "1").
3	The LED pin LED_RMT_TP_SPD indicates the loop back test complete (on) (when AUTO_TEST is "1"). The LED pin LED_RMT_TP_FDX indicates the loop back test ok (on) (when AUTO_TEST is "1")
4	If another auto loop back test is needed, set AUTO_TEST to "0" and then "1". That is, AUTO_TEST is triggered whenever there is a low-to-high transition on this pin.

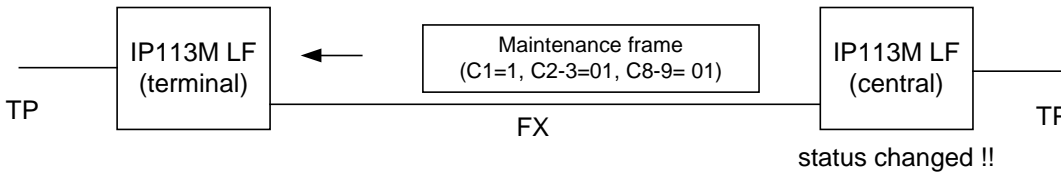
2.5 Remote monitor without SMI programming

2.5.1 Auto sends (Status change notice)

IP113M LF sends out status frame without receiving status request frame if pin AUTO_SEND is pulled high. It sends out the first status frame onto the fiber port when the link status of fiber port has established. It sends out status frames when the status on TP port has changed. IP113M LF supports two types of frame. For a TS-1000 maintenance frame, C[9:8] is 2'b10 and S[15:0] is defined as that in TS-1000 standard. For an ICplus maintenance frame, C[9:8] is 2'b11 and S[15:0] is the content of MII register 22. It carries ICplus private defined information. User can select the frame type by programming MII register 20.10. Central IP113M LF uses the mechanism to get the status of the remote IP113M LF even if there is no SMI programming.

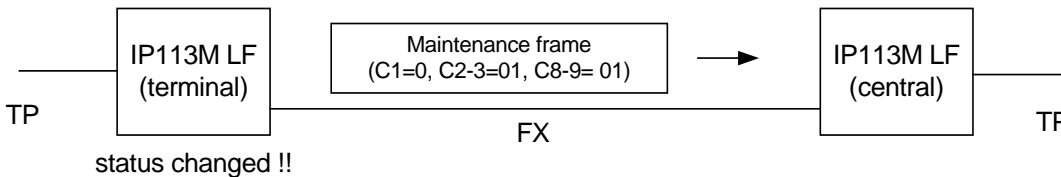
Option A

Central IP113M LF sends indication frames to terminal IP113M LF if its status is changed.

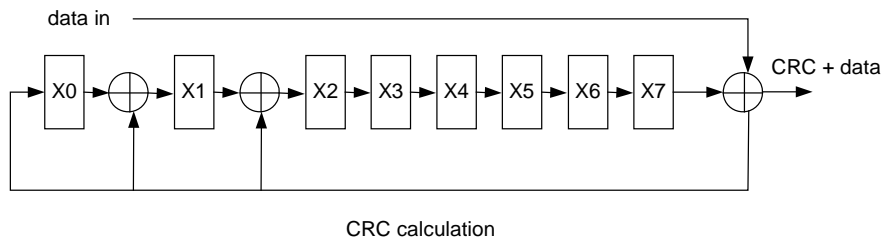


Option B

Terminal IP113M LF sends indication frames to central IP113M LF if its status is changed.

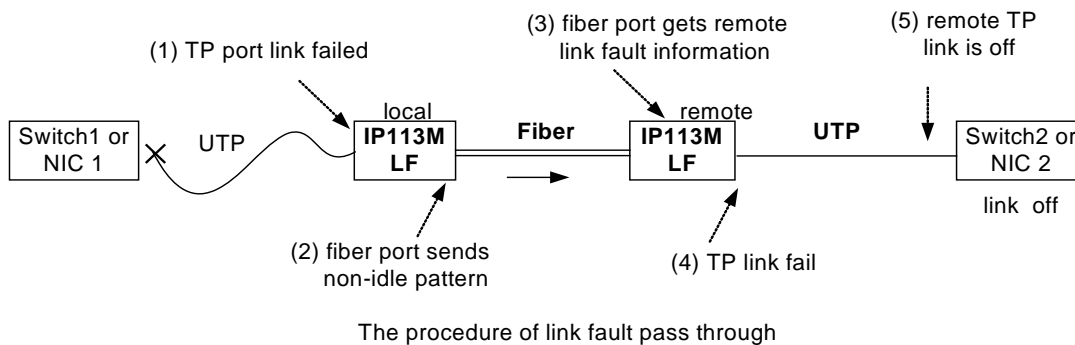


CRC polynomial for maintenance frame: $X^8 + X^2 + X + 1$

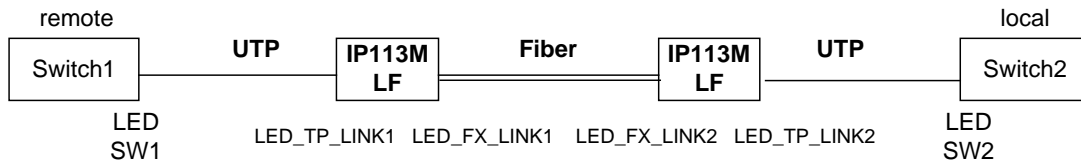


2.6 Link fault pass through

When link fault pass through function is enabled, link status on TX port will inform the FX port of the same device and vice versa. From the link fault pass through procedure illustrates in the figure below, if link fail happens on IP113M LF's TX port (1), the local FX port sends non-idle pattern to notice the remote FX port (2). The remote FX port then forces its TX port to link failed after receiving the non-idle pattern (4). In other words, this mechanism will alert the link fault status of local TX port to the remote converter's TX port, and the link status of the remote TX port will become off. Link status LED will also be off for both IP113M LF and its link partner.

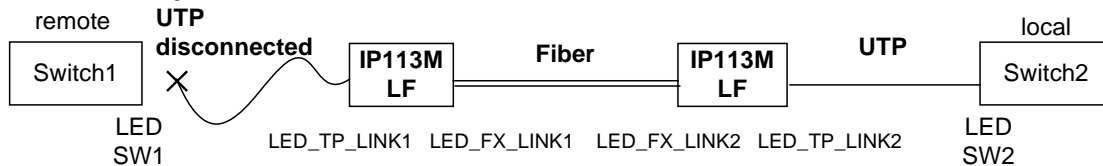


2.6.1 Normal case



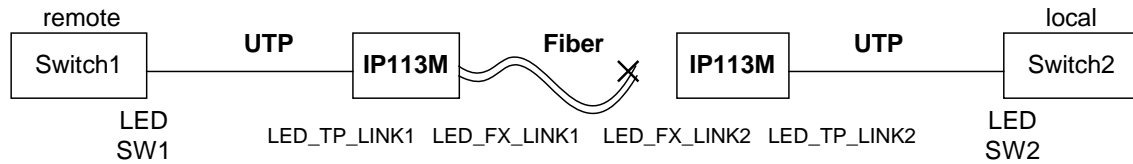
Link LED on SW1	LED_TP_LINK1	LED_FX_LINK1	LED_FX_LINK2	LED_TP_LINK2	Link LED on SW2
ON	ON	ON	ON	ON	ON

2.6.2 Remote TP port disconnected



Link LED on SW1	LED_TP_LINK1	LED_FX_LINK1	LED_FX_LINK2	LED_TP_LINK2	Link LED on SW2
Off	Off	Off	Off	Off	Off

2.6.3 FX port disconnected



Link LED on SW1	LED_TP_LINK1	LED_FX_LINK1	LED_FX_LINK2	LED_TP_LINK2	Link LED on SW2
Off	Off	Off	Off	Off	Off

2.6.4 LED diagnostic functions for fault indication

LED_TP_LINK	LED_FX_LINK	LED_FX_SD	LED_FX_FEF_DET	Status
On	On	On	Off	Link ok
Flash	Flash	On	Off	Link ok & activity
Off	Off	On	Off	Remote TP link off
Off	Off	Off	Off	Fiber RX off, Fiber TX/ RX off
Off	Off	On	Flash	Fiber TX off

Note

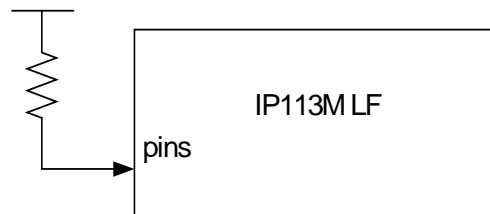
Flash: flash, period 100 ms

Link fault pass through is enabled.

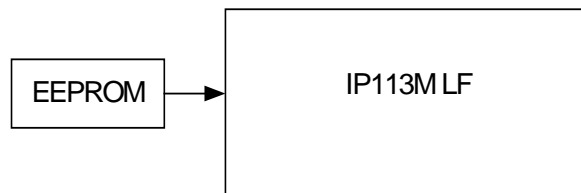
2.7 EEPROM – store the initial value

IP113M LF supports two ways to load initial value of MII registers. The procedure is illustrated as below.

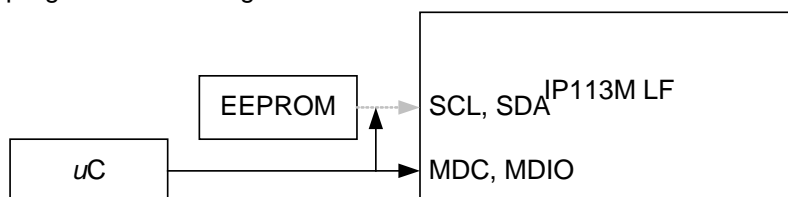
1. IP113M LF reads the default setting of MII register from pins



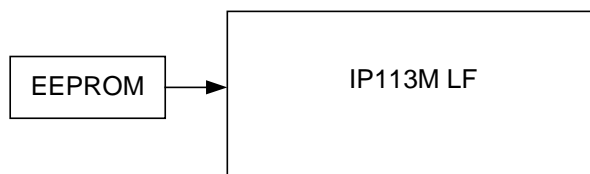
2. IP113M LF updates the default setting of MII by reading EEPROM. If there exists an EEPROM.



3. After reading EEPROM, IP113M LF is virtually isolated from the EEPROM. Micro-controller can program both MII register and EEPROM.

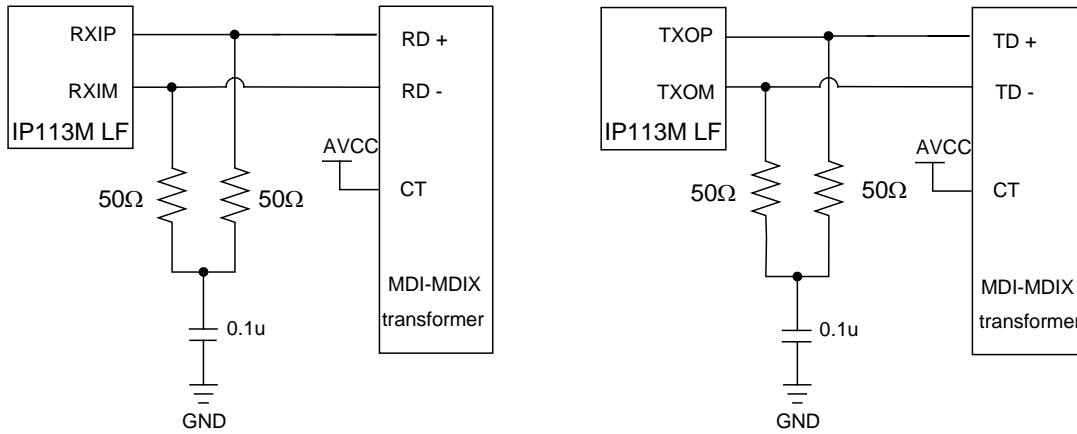


4. IP113M LF reloads the content of EEPROM to recover the value in MII registers programmed by Micro-controller after power on reset.



2.8 Auto MDI_MDIX

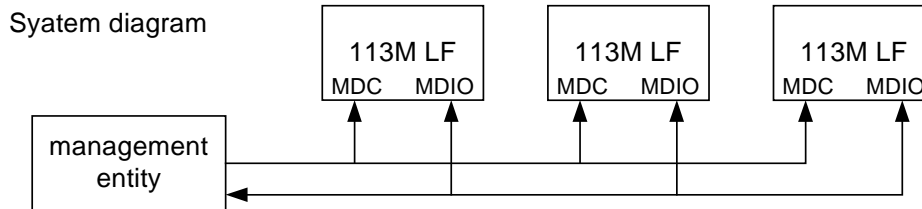
IP113M LF supports auto MDI-MDIX. It is always enabled. The following is its application circuit for auto MDI-MDIX.



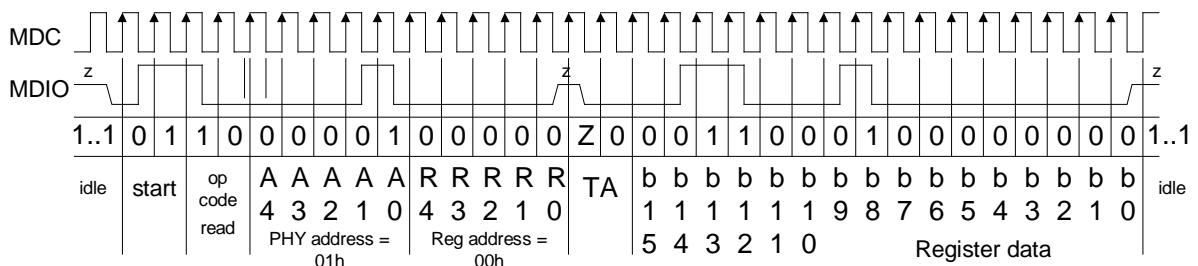
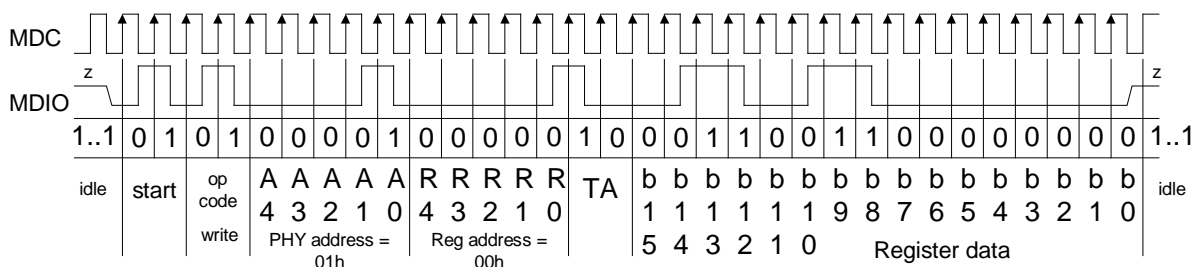
IP113M LF's application circuit (auto MDI-MDIX on)

2.9 Serial management interface

User can access IP113M LF's MII registers through serial management interface MDC and MDIO. A specific pattern on MDIO is used to access a MII register. Its format is shown in the following table. When the SMI is idle, MDIO is in high impedance. To initialize the MDIO interface, the management entity sends a sequence of 32 contiguous "1" and "start" on MDIO.



Frame format	<Idle><start><op code><IP113M LF's address><Registers address><turnaround><data><idle>
Read Operation	<Idle><01><10><A ₄ A ₃ A ₂ A ₁ A ₀ ><R ₄ R ₃ R ₂ R ₁ R ₀ ><Z0><b ₁₅ b ₁₄ b ₁₃ b ₁₂ b ₁₁ b ₁₀ b ₉ b ₈ b ₇ b ₆ b ₅ b ₄ b ₃ b ₂ b ₁ b ₀ ><Idle>
Write Operation	<Idle><01><01><A ₄ A ₃ A ₂ A ₁ A ₀ ><R ₄ R ₃ R ₂ R ₁ R ₀ ><10><b ₁₅ b ₁₄ b ₁₃ b ₁₂ b ₁₁ b ₁₀ b ₉ b ₈ b ₇ b ₆ b ₅ b ₄ b ₃ b ₂ b ₁ b ₀ ><Idle>





3. MII registers

Address	Register Name	Control
0	Control Register	NWAY
1	Status Register	NWAY
2	PHY identifier Register 1	NWAY
3	PHY identifier Register 2	NWAY
4	AN Advertisement Register	NWAY
5	AN Link Partner Base Page Ability Register	NWAY
6	AN Expansion Register	NWAY
7	(Reserved)	
8	(Reserved)	
9	(Reserved)	
10	(Reserved)	
11	(Reserved)	
12	(Reserved)	
13	(Reserved)	
14	(Reserved)	
15	(Reserved)	
16	Special Control Register	NWAY
17	Interrupt Register	NWAY
18	Extended Status Register	NWAY
19	Statistic Counter Register	SWITCH
20	Switch Configuration Register 1	SWITCH
21	Switch Configuration Register 2	SWITCH
22	Local Switch Extended Register	SWITCH
23	Link Partner Switch Extended Status Register	SWITCH
24	Remote Control Transmit Register 1	RMC
25	Remote Control Transmit Register 2	RMC
26	Remote Control Receive Register 1	RMC
27	Remote Control Receive Register 2	RMC
28	Remote Control Receive Register 3	RMC
29	Remote Control Receive Register 4	RMC
30	Remote Control Receive Register 5	RMC
31	Switch Configuration Register 3	SWITCH



3.1 The basic MII registers

Type	Description	Type	Description
R/W	Read/Write	RC	Read and Clear
SC	Self-Clearing	LL	Latching Low
RO	Read Only	LH	Latching High
Pin(1)	The default value is "1" and it depends on the setting of its corresponding pin.	Pin(0)	The default value is "0" and it depends on the setting of its corresponding pin.

The basic MII registers 0

MI1	NAME	R/W	DESCRIPTION	DEFAULT
MI1 control register (address 00h)				
0.15	Reset	R/W SC	1 = PHY reset 0 = normal operation This bit is self-clearing, IP113M LF will return a value of 1 before reset process is completed, and will not accept any write transaction of MI1 Management within reset process. Make any change to Auto-Negotiation or speed mode will cause IP113M LF reset again.	0
0.14	Loop back	R/W	1 = Loop back mode 0 = normal operation When this bit is set, IP113M LF will be isolated from the network media, and the assertion of TXEN at the MI1 will not transmit data on the network. All MI1 transmit data path will return to MI1 receive data path in response to the assertion of TXEN. MI1 COL signal will remain de-asserted at all times, unless bit 0.7 (Collision Test) is set. Use has to wait about 100ms for loop back path ready.	0
0.13	Speed Selection	RW	1 = 100Mbps 0 = 10Mbps It is valid only if bit 0.12 is set to be 0.	Pin(1)
0.12	Auto-Negotiation Enable	RW	1 = Auto-Negotiation Enable 0 = Auto-Negotiation Disable MI1 register 16.11 auto-MDI/MDIX should be disabled if auto-negotiation is disabled.	1
0.11	Reserved	R/W	This bit should be "0" for normal operation.	0
0.10	Isolate	R/W	1 = electrically isolate PHY from MI1 0 = normal operation When this bit is setting to 1, IP113M LF will be isolated from MI1, and not respond to the TXD[3:0] and TXEN and keep CRS, RXDV and RXD[3:0] in high impedance, but will respond to management transactions.	0



MII	NAME	R/W	DESCRIPTION	DEFAULT
MII control register (address 00h)				
0.9	Restart Auto-Negotiation	R/W	1 = re-starting Auto-Negotiation 0 = Auto-Negotiation re-start complete Setting this bit to logic high will cause IP113M LF to restart an Auto-Negotiation cycle, but depend on the value of bit 0.12 (Auto-Negotiation Enable). If bit 0.12 is cleared then this bit has no effect, and change to Read Only. When an Auto-Negotiation cycle is being processed, write 0 into this bit has no effect. This bit is self-clearing after Auto-Negotiation process is completed.	0
0.8	Duplex mode	R/W	1 = full duplex 0 = half duplex It is valid only if bit 0.12 is set to be 0.	Pin(1)
0.7	Collision test enable	R/W	1 = enable the collision test 0 = disable the collision test If setting this bit to logic 1, when MII TXEN signal is asserted, IP113M LF will assert the MII COL signal within 512BT (Bit Time, depend on 10Mbps or 100Mbps). When MII TXEN is de-asserted, then TP110 will assert MII COL signal within 4BT. Clearing this bit to logic 0 for normal operation	0
0[6:0]	Reserved	R/W	Write as 0, ignore on read	-



The basic MII registers 1

MI1	NAME	R/W	DESCRIPTION	DEFAULT
MI1 status register (address 01h)				
1.15	100Base-T4 capable	RO	1 = 100Base-T4 capable 0 = not 100Base-T4 capable IP113M LF does not support 100Base-T4. This bit is fixed to be 0.	0
1.14	100Base-X full duplex Capable	RO	1 = 100Base-X full duplex capable 0 = not 100Base-X full duplex capable The default of this bit will change depend on the external setting of IP113M LF. If external pin setting without 100Base-X full duplex support, then this bit will change default to logic 0.	1
1.13	100Base-X half duplex Capable	RO	1 = 100Base-X half duplex capable 0 = not 100Base-X half duplex capable The default of this bit will change depend on the external setting of IP113M LF. If external pin setting without 100Base-X half duplex support, then this bit will change default to logic 0	1
1.12	10Base-T full duplex Capable	RO	1 = 10Base-T full duplex capable 0 = not 10Base-T full duplex capable The default of this bit will change depend on the external setting of IP113M LF. If external pin setting without 100Base-T full duplex support, then this bit will change default to logic 0	1
1.11	10Base-T half duplex Capable	RO	1 = 10Base-T half duplex capable 0 = not 10Base-T half duplex capable The default of this bit will change depend on the external setting of IP113M LF. If external pin setting without 100Base-X full duplex support, then this bit will change default to logic 0	1
1[10:7]	Reserved	RO	Ignore on read	-
1.6	MF preamble Suppression	RO	1 = preamble may be suppressed 0 = preamble always required	1
1.5	Auto-Negotiation Complete	RO	1 = Auto-Negotiation complete 0 = Auto-Negotiation in progress When read as logic 1, indicates that the Auto-Negotiation process has been completed, and the contents of register 4, 5, 6 and 7 are valid. When read as logic 0, indicates that the Auto-Negotiation process has not been completed, and the contents of register 4, 5, 6 and 7 are meaningless. If Auto-Negotiation is disabled (bit 0.12 set to logic 0), then this bit will always read as logic 0.	0



The basic MII registers 1(continued)

MI	NAME	R/W	DESCRIPTION	DEFAULT
MI status register (address 01h)				
1.4	Remote fault	RO LH	1 = remote fault detected 0 = not remote fault detected When read as logic 1, indicates that IP113M LF has detected a remote fault condition. This bit is set until remote fault condition gone and before reading the contents of the register. This bit is cleared after IP113M LF reset.	0
1.3	Auto-Negotiation Ability	RO	1 = Auto-Negotiation capable 0 = not Auto-Negotiation capable When read as logic 1, indicates that IP113M LF has the ability to perform Auto-Negotiation. The value of this bit will depend on the external mode setting of IP113M LF operation mode.	1
1.2	Link Status	RO LL	1 = Link Pass 0 = Link Fail When read as logic 1, indicates that IP113M LF has determined a valid link has been established. When read as logic 0, indicates the link is not valid. This bit is cleared until a valid link has been established and before reading the contents of this registers.	0
1.1	Jabber Detect	RO LH	1 = jabber condition detected 0 = no jabber condition detected When read as logic 1, indicates that IP113M LF has detected a jabber condition. This bit is always 0 for 100Mbps operation and is cleared after IP113M LF reset. This bit is set until jabber condition is cleared and reading the contents of the register.	0
1.0	Extended capability	RO	1 = Extended register capabilities 0 = No extended register capabilities IP113M LF has extended register capabilities.	1



The basic MII registers 2 , 3

MII	NAME	R/W	DESCRIPTION	DEFAULT
PHY Identifier (address 02h)				
2[15:0]	PHY identifier	RO	IP113M LF OUI (Organizationally Unique Identifier) ID, the msb is 3 rd bit of IP113M LF OUI ID, and the lsb is 18 th bit of IP113M LF OUI ID. IP113M LF OUI is 0090C3.	0243h

MII	NAME	R/W	DESCRIPTION	DEFAULT
PHY Identifier (address 03h)				
3[15:10]	PHY identifier	RO	IP113M LF OUI ID, the msb is 19 th bit of IP113M LF OUI ID, and lsb is 24 th bit of IP113M LF OUI ID.	3h
3[9:4]	Manufacture's Model Number	RO	TP110 model number	5h
3[3:0]	Revision Number	RO	IP113M LF revision number	0



The basic MII registers 4

MI1	NAME	R/W	DESCRIPTION	DEFAULT
Auto-Negotiation Advertisement register (address 04h)				
4.15	Next Page	RO	1 = Next Page ability is supported 0 = Next Page ability is not supported IP113M LF does not support next page, this bit is fixed to be 0.	0
4.14	Reserved	RW	Reserved by IEEE, write as 0, ignore on read	0
4.13	Remote Fault	R/W	1 = Advertises that this device has detected a remote fault 0 = No remote fault detected	0
4[12:11]	Reserved	RO	Reserved for future IEEE use, write as 0, ignore on read	0
4.10	Pause	RW	1 = Advertises that this device has implemented pause function 0 = No pause function supported	Pin(1)
4.9	100BASE-T4	RW	1 = 100BASE-T4 is supported 0 = 100BASE-T4 is not supported	0
4.8	100BASE-TX full duplex	R/W	1 = 100BASE-TX full duplex is supported 0 = 100BASE-TX full duplex is not supported	Pin(1)
4.7	100BASE-TX	R/W	1 = 100BASE-TX is supported 0 = 100BASE-TX is not supported	Pin(1)
4.6	10BASE-T full duplex	R/W	1 = 10BASE-T full duplex is supported 0 = 10BASE-T full duplex is not supported	Pin(1)
4.5	10BASE-T	R/W	1 = 10BASE-T is supported 0 = 10BASE-T is not supported	Pin(1)
4[4:0]	Selector Field	RO	Use to identify the type of message being sent by Auto-Negotiation.	00001



The basic MII registers 5

MII	NAME	R/W	DESCRIPTION	DEFAULT
Link partner ability register (address 05h) Base Page				
5.15	Next Page	RO	1 = Next Page ability is supported by link partner 0 = Next Page ability is not supported by link partner	0
5.14	Acknowledge	RO	1 = Link partner has received the ability data word 0 = Not acknowledge	0
5.13	Remote Fault	RO	1 = Link partner indicates a remote fault 0 = No remote fault indicate by link partner If this bit is set to logic 1, then bit 1.4 (Remote fault) will set to logic 1.	0
5[12:10]	Reserved	RO	Reserved by IEEE for future use, write as 0, read as 0.	0
5.9	100BASE-T4	RO	1 = Link partner support 100BASE-T4 0 = Link partner is not support 100BASE-T4	0
5.8	100BASE-TX full duplex	RO	1 = Link partner support 100BASE-TX full duplex 0 = Link partner is not support 100BASE-TX full duplex	0
5.7	100BASE-TX	RO	1 = Link partner support 100BASE-TX 0 = Link partner is not support 100BASE-TX	0
5.6	10BASE-T full duplex	RO	1 = Link partner support 10BASE-T full duplex 0 = Link partner is not support 10BASE-T full duplex	0
5.5	10BASE-T	RO	1 = Link partner support 10BASE-T 0 = Link partner is not support 10BASE-T	0
5[4:0]	Selector Field	RO	Protocol selector of the link partner	00000



The basic MII registers 6

MII	NAME	R/W	DESCRIPTION	DEFAULT
Auto-Negotiation Expansion register (address 06h)				
6[15:5]	Reserved	RO	Reserved by IEEE, writes as 0, ignore on read.	0
6.4	Parallel Detection Fault	RO LH	1 = A fault has been detected via Parallel Detection function 0 = A fault has not detected via Parallel Detection function	0
6.3	Link Partner Next Page Able	RO	1 = Link Partner is Next Page able 0 = Link Partner is not Next Page able	0
6.2	Next Page Able	RO	1 = Local Device is Next Page able 0 = Local Device is not Next Page able	1
6.1	Page Received	RO LH	1 = A New Page has been received 0 = A New Page has not been received	0
6.0	Link Partner Auto-Negotiation Able	RO	1 = Link Partner is Auto-Negotiation able 0 = Link Partner is not Auto-Negotiation able	0



3.2 Extended MII registers and EEPROM registers

MII	ROM	NAME	R/W	DESCRIPTION	DEFAULT
EEPROM enable register 0 (EEPROM register 00D)					
--	0[7:0]		RO	EEPROM enable register 0 This register should be filled with 55. IP113M LF will examine the specified pattern to confirm if there is a valid EEPROM.	55

MII	ROM	NAME	R/W	DESCRIPTION	DEFAULT
EEPROM enable register 1 (EEPROM register 01D)					
--	1[7:0]		RO	EEPROM enable register 1 This register should be filled with AA. IP113M LF will examine the specified pattern to confirm if there is a valid EEPROM. The initial setting is updated with the content of EEPROM only if the specified pattern 55AA is found.	AA



Extended MII registers and EEPROM registers 16

MI	ROM	NAME	R/W	DESCRIPTION	DEFAULT
Special control register (16D)					
16.0	--	Reserved		This bit should be "0" for normal operation.	0
16.1	--	Reserved		This bit should be "0" for normal operation.	0
16.2	--	Reserved		This bit should be "0" for normal operation.	0
16.3	--	mr_bypass_scramble	R/W	Bypass PCS scrambler (It is valid only if 16.15=1.) 1: bypass scrambler, 0: not bypass (default) This bit should be "0" for normal operation.	0
16.4	--	mr_bypass_100x_coder	R/W	Bypass PCS 4B/5B coder (It is valid only if 16.15=1.) 1: bypass 4B/5B, 0: not bypass (default) This bit should be "0" for normal operation.	0
16.5	--	mr_bypass_dsp_rst	R/W	Bypass DSP re-start function in PCS 1: bypass DSP re-start, 0: not bypass (default) This bit should be "0" for normal operation.	0
16.6	--	mr_tx_nlp_disable	R/W	10Mb transmit NLP enable 1: enable (default), 0:disable This bit should be "1" for normal operation.	0
16.7	--	mr_analog_pwsv_disable	R/W	Analog power save mode disable 1: disable, 0: enable (default) The default value is recommended to adopt.	0
16.8	--	mr_fef_disable	R/W	Far-End-Fault function disable 1: disable, 0: enable (default) The default value is recommended to adopt.	0
16.9	--	mr_jabber_enable	R/W	Jabber function enable 1: enable, 0:disable (default) The default value is recommended to adopt.	0
16.10	--	mr_heart_beat_enable	R/W	Heart Beat function enable 1: enable, 0:disable (default) The default value is recommended to adopt.	0
16.11	--	mr_auto_cross_disable	R/W	Auto Crossover function disable 1: disable, 0: enable (default) It should be disabled if MII register 0.12 auto-negotiation is disabled.	0
16.12	--	Reserved		This bit should be "0" for normal operation.	0
16.13	--	Reserved		This bit should be "0" for normal operation.	0
16.14	--	Reserved	R/W		0
16.15	--	Reserved		This bit should be "0" for normal operation.	0



Extended MII registers and EEPROM registers 17

MI	ROM	NAME	R/W	DESCRIPTION	DEFAULT
Interrupt register (17D)					
17.0	--	intr_link	RO RC	Link status change It is logic "1" when link status changes on TP port and it will active interrupt pin. It is self-clear after reading the register. 1: link status change Interrupt occur, 0: no interrupt	0
17.1	--	intr_duplex	RO RC	Duplex mode change It is logic "1" when duplex status changes on TP port and it will active interrupt pin. It is self-clear after reading the register. 1: duplex status change Interrupt occur, 0: no interrupt	0
17.2	--	intr_speed	RO RC	Speed mode change It is logic "1" when speed changes on TP port and it will active interrupt pin. It is self-clear after reading the register. 1: speed change interrupt occur, 0: no interrupt	0
17.3	--	intr_mf_rx_indicate	RO RC	Undefined maintenance frame receive indication It is logic "1" when an undefined maintenance frame is received and it will active interrupt pin. An undefined maintenance frame is a frame, which can't be recognized by IP113M LF. It is self-clear after reading the register. 1: Rx maintenance frame interrupt occur, 0: no interrupt	0
17.4	--	intr_cnt_overflow	RO RC	Statistic counter overflow It is logic "1" when statistic counter is overflow and it will active interrupt pin. It is self-clear after reading the register. 1: counter overflow interrupt occur, 0: no interrupt	0
17.5	--	intr_status	RO RC	Interrupt status It is logic "OR" of bit 17.0~17.4. 1: any interrupt occur, 0: no interrupt	0
17.6	--	Intr_pwabn	RO RC	Power abnormal It is logic "1" when 113M receives a maintenance frame with link partner's power abnormal message and it will active interrupt pin. It is self-clear after reading the register. 1: remote link partner power abnormal 0: nothing happen	0



Extended MII registers and EEPROM registers 17(continued)

MII	ROM	NAME	R/W	DESCRIPTION	DEFAULT
Interrupt register (17D)					
17.7	--	Intr_pwabn_en	RW	Remote LP power abnormal interrupt enable A mask for bit 17.6. 1: not mask interrupt 0: mask interrupt	0
17.8	--	intr_link_mask	RW	Mask TP port link change Interrupt A mask for bit 17.0. 1: mask, 0: not mask (default)	1
17.9	--	intr_duplex_mask	RW	Mask TP port duplex mode change Interrupt A mask for bit 17.1. 1: mask interrupt (default), 0: not mask	1
17.10	--	intr_speed_mask	RW	Mask TP port speed mode change Interrupt A mask for bit 17.2. 1: mask interrupt (default), 0: not mask	1
17.11	--	intr_mf_rx_indc_mask	RW	Mask maintenance frame receive indication Interrupt A mask for bit 17.3. 1: mask interrupt (default), 0: not mask	1
17.12	--	intr_cnt_ov_mask	RW	Mask Statistic counter overflow Interrupt A mask for bit 17.4. 1: mask interrupt (default), 0: not mask	1
17.13	--	intr_all_mask	RW	Mask all Interrupt It enables the all mask bits 17.7~17.12. 1: mask interrupt (default), 0: not mask	1
17[15:14]	--	Reserved	RW		0



Extended MII registers and EEPROM registers 18

MII	ROM	NAME	R/W	DESCRIPTION	DEFAULT
PHY extended status register (18D)					
18[6:0]	--	Reserved[2:0]	RO		8d
18.7	--	jabber	RO	Jabber status 1: jabber is detected, 0: no jabber (default) It is a mirror bit of MII register 1 bit 1.	0
18.8	--	polarity	RO	Polarity status 1: polarity error, RXIP and RXIM are reversed, 0: polarity ok (default)	0
18.9	--	mdix_en	RO	MDI/MDIX status 0: MDI, TX and RX are normal on TP port. 1:MDIX, TX and RX are crossed over on TP port.	0
18.10	--	link_real	RO	TP port link Status 1: link ok, 0: link fail (default) It is a mirror bit of MII register 1 bit 2.	0
18.11	--	resolved	RO	Resolve complete 1: Auto-negotiation complete, 0: during Auto-negotiation (default) It is a mirror bit of MII register 1 bit 5.	0
18.12	--	Reserved	RO		0
18.13	--	mr_duplex_mode	RO	TP port duplex mode (It is valid only if 8.11=1.) 1: full duplex (default), 0: half duplex It is a mirror bit of MII register 0 bit 8.	0
18.14	--	mr_speed_selection	RO	TP port speed mode (It is valid only if 18.11=1.) 1: 100M (default), 0: 10M It is a mirror bit of MII register 0 bit 13.	1
18.15	--	Reserved	RO		0



Extended MII registers and EEPROM registers 19

MII	ROM	NAME	R/W	DESCRIPTION	DEFAULT	
Statistic counter registers (MII register 19D)						
19[11:0]	--	mg_statistic_cnt[11:0]	RO	Statistic Counter [11:0] The statistic counter maintains some kinds of statistic information. Before reading the statistic counter, user has to select one counter by writing MII register 19[14:12] cnt_index[2:0]. The relationship between cnt_index and its corresponding counter is shown in the following table.	0	
				Cnt_index		Content of statistic counter[11:0]
				3'b000		Received packet count on TP port
				3'b001		Received CRC error count on TP port
				3'b010		Drop packet count on TP port
				3'b011		Collision event count on TP port
				3'b100		Received packet count on fiber port
				3'b101		Received CRC error count on fiber port
				3'b110		Drop packet count on fiber port
3'b111	Collision event count on fiber port					
19[14:12]	--	cnt_index[2:0]	RW	The current counter index A counter index to select one counter before reading MII register 19[11:0]	0	
19.15	--	cnt_loop_en	RW	The counter index loop enable 1: MII register 19[14:12] cnt_index[2:0] is increased by one automatically whenever the MII register 19 is read. Cnt_index[2:0] is turned around to "000" when it reaches to "111" and is read. 0: cnt_index[2:0] is not increased when MII register 19 is read.	1	



Extended MII registers and EEPROM registers 20

MI	ROM	NAME	R/W	DESCRIPTION	DEFAULT
Switch configuration register 1 (MII register 20D, EEPROM register 02~03D)					
20.0	2.0	Reserved			0
20.1	2.1	direct_wire	R/W	Please see pin description of DIRECT_WIRE for more detail information. This bit overwrites the setting on pin 22 DIRECT_WIRE.	Pin (0)
20.2	2.2	fast_fwd	R/W	Please see pin description of FAST_FWD for more detail information. This bit overwrites the setting on pin 23 FAST_FWD.	Pin (0)
20.3	2.3	mg_pass_fragment_en	R/W	Pass fragment packet, which is longer than 7 bytes and shorter than 64bytes1: pass fragment 0: not pass fragment	0
20.4	2.4	mg_col16_drop_en	R/W	Collision 16 times drop enable A port drops a transmission packet if it experiences 16 consecutive collisions. 1: enable 0: disable	0
20.5	2.5	mg_col_backoff_en	R/W	Collision back-off enable 1: back off after collision 0: not back off after collision This bit should be "1" for normal operation.	1
20.6	2.6	Reserved	R/W	It must be 0.	0
20.7	2.7	p01_mg_backpress_en	R/W	TP port backpressure enable Backpressure is flow control for half duplex operation 1: backpressure enable 0: backpressure disable	1
20.8	3.0	mg_rem_ctrl_en	R/W	Remote control enable 1: ability enable. IP113M LF is capable of transmission and receiving maintenance frame to perform remote control. 0: ability disable. IP113M LF is not capable of transmission and receiving maintenance frame to perform remote control.	1
20.9	3.1	mg_auto_tx_mf_en	R/W	Auto send status frame to link partner through fiber port (AUTO_SEND) 1: auto send indication maintenance frame 0: disable auto send function This bit overwrites the setting on pin 25 AUTO_SEND. Please see pin description of AUTO_SEND for more detail information.	Pin (0)



Extended MII registers and EEPROM registers 20(continued)

MII	ROM	NAME	R/W	DESCRIPTION	DEFAULT
Switch configuration register 1 (MII register 20D, EEPROM register 02~03D)					
20.10	3.2	mg_auto_tx_ttc_content	R/W	The format of auto send status frame 1: TTC (TS-1000) IP113M LF performs auto send functions with the frame format defined in TS-1000. 0: ICPLUS IP113M LF performs auto send functions with the ICPLUS proprietary frame format. The frame format is similar to the one defined in TS-1000 except the bit definition of S[15:0]. S[15:0] carries the content of MII register 22[15:0] local MC extended register. IP113M LF uses the frame to indicate its status to its link partner. The link partner, another IP113M LF, stores the information in the S[15:0] field of the frame to its MII register 23 after receiving the frame.	1
20.11	3.3	mg_sd_off_way	R/W	Informing way for optical receiving SD off 1: IP113M LF uses far end fault pattern to notify the link partner SD off information through fiber port. 0: IP113M LF uses maintenance frame to notify the link partner SD off information through fiber port.	1
20.12	3.4	Reserved	R/W	This bit should be "0" for normal operation.	1
20.13	3.5	tp_force	R/W	This pin overwrites the setting on pin 26 TP_FORCE. Please see pin description of TP_FORCE for more detail information.	Pin (0)
20.14	3.6	mg_receive_en	R/W	TP receive enable 1: TP port can receive packet 0: TP port drop all received packet This bit should be "1" for normal operation.	1
20.15	3.7	p02_receive_on	RO LL RC	Fiber port receive path ready 1: Fiber port receive path is ready (SD is on and normal IDLE pattern received) 0: Fiber port receive path is not ready	0



Extended MII registers and EEPROM registers 21

MI	ROM	NAME	R/W	DESCRIPTION	DEFAULT
Switch configuration register 2 (MII register 21D, EEPROM register 04~05D) The register is for testing only. Access to this register may cause malfunction.					
21[7:0]	4[7:0]	Reserved	R/W	The default value must be adopted if uses use an EEPROM.	120d
21[15:8]	5[7:0]	Reserved	R/W	The default value must be adopted if uses use an EEPROM.	120d



Extended MII registers and EEPROM registers 22

MII	ROM	NAME	R/W	DESCRIPTION	DEFAULT
Local MC extended register (MII register 22D, EEPROM register 06~07D)					
22.0	6.0	mg_loopback_en	R/W	TP port loop-back test enable 1: loop back mode 0: normal mode It is a mirror bit of MII register 0 bit 14.	0
22.1	6.1	mg_status_rpt_en	RO	TP port status (link, speed, duplex) available 1: TP status is valid 0: TP status is not ready	0
22.2	6.2	p01_mg_auto_neg_en	R/W	TP port auto-negotiation enable 1: TP auto-negotiation enable 0: TP auto-negotiation disable It is a mirror bit of MII register 0 bit 12.	1
22.3	6.3	p01_mg_speed_mode	R/W	TP port speed selection 1: 100M, 0:10M It is a mirror bit of MII register 0 bit 13.	Pin (1)
22.4	6.4	p01_mg_duplex_mode	R/W	TP port duplex mode selection 1: full duplex, 0:half duplex It is a mirror bit of MII register 0 bit 8. This bit overwrites the setting on pin 30 DUPLEX_MODE.	Pin (0)
22.5	6.5	p01_mg_flow_ctrl_en	R/W	TP port flow control selection 1: on, 0:off It is a mirror bit of MII register 4 bit 10. This bit overwrites the setting on pin 29 X_EN for TP port.	Pin (1)
22.6	6.6	p01_mg_link_status	RO	TP port link status off 1: link off, 0: link on	1
22.7	6.7	p02_mg_flow_ctrl_en	R/W	Fiber port flow control/backpressure enable 1: enable, 0: disable This bit overwrites the setting on pin 29 X_EN for fiber port.	Pin (1)
22.8	7.0	p02_mg_duplex_mode	R/W	Fiber port duplex mode 1: full duplex, 0:half duplex This bit overwrites the setting on pin 36 FX_FULL.	Pin(1)
22.9	7.1	p02_mg_link_status	RO LL RC	Fiber port signal detect (power) 1: Fiber SD has been low since last read 0: Fiber SD is O.K. It is self-set after reading.	1
22.10	7.2	p02_mg_fef_detect	RO LH RC	Fiber port Far-End-Fault detect 1: FEF has been detected since last read 0: no FEF pattern detected It is self-clear after reading.	0



Extended MII registers and EEPROM registers 22(continued)

MII	ROM	NAME	R/W	DESCRIPTION	DEFAULT		
Local MC extended register (MII register 22D, EEPROM register 06~07D)							
22[12:11]	7[4:3]	p01_mg_throttle _cfg	R/W	TP port input Rate Control IP113M LF limits the input traffic of TP port.	00		
				Traffic			
				10M mode		100M mode	
				00		10Mbps	100Mbps
				01		2.5Mbps	25Mbps
				10		5Mbps	50Mbps
				11		7.5Mbps	75Mbps
22[14:13]	7[6:5]	p01_mg_throttle _cfg	R/W	TP port output Rate Control IP113M LF limits the output traffic of TP port.	00		
				Traffic			
				10M mode		100M mode	
				00		10Mbps	100Mbps
				01		2.5Mbps	25Mbps
				10		5Mbps	50Mbps
				11		7.5Mbps	75Mbps
22.15	7.7	mg_link_pass_en	R/W	Link Fault Pass through enable (LFP) 1: enable, 0: disable This bit overwrites the setting on pin 21 LFP.	Pin (0)		



Extended MII registers and EEPROM registers 23

MII	ROM	NAME	R/W	DESCRIPTION	DEFAULT
Link partner MC extended status register (MII register 23D)					
23.0	--	lp_loopback_en	RO	Loop-back enable of remote LP 1: Link partner's fiber port is in loop back mode. Its fiber port will forward all receiving frames from FXRDP/M to FXTDP/M.. 0: Link partner's fiber port is in normal mode	0
23.1	--	lp_status_rpt_en	RO	Option B support 1: Link partner supports TS-1000 option B 0: not support	0
23.2	--	lp_tp_autoneg_en	RO	TP port auto-negotiation enable 1: Link supports aut0-negotuation, 0: Link partner doesn't support auto-negotiation.	0
23.3	--	lp_tp_speed_mode	RO	TP port speed of link partner 1: 100M, 0:10M	0
23.4	--	lp_tp_duplex_mode	RO	TP port duplex mode of link partner 1: full duplex, 0: half duplex	0
23.5	--	lp_tp_flow_ctrl_en	RO	TP port flow control of link partner. 1: flow control enable 0: flow control disable This bit is valid only if MII register 20 bit10 is set to be 0.	0
23.6	--	lp_tp_link_off	RO	TP port link status of link partner 1: link off, 0:link on	1
23.7	--	lp_fb_flow_ctrl_en	RO	Fiber port flow control/backpressure of link partner This bit is valid only if MII register 20 bit10 is set to be 0. 1: flow control enable 0: flow control disable	0
23.8	--	lp_fb_duplex_mode	RO	Fiber port duplex mode of link partner 1: full duplex, 0: half duplex This bit is valid only if MII register 20 bit10 is set to be 0.	0
23.9	--	lp_fb_link_status	RO	Fiber port signal detect status of link partner 1: off, 0: on This bit is valid only if MII register 20 bit10 is set to be 0.	0



Extended MII registers and EEPROM registers 23(continued)

MII	ROM	NAME	R/W	DESCRIPTION	DEFAULT
Link partner MC extended status register (MII register 23D)					
23.10	--	reserved	RO		0
23.11	--	lp_power_abnormal	RO	Power status of link partner 1: power abnormal 0: power O.K.	0
23.12	--	lp_mc_failed	RO	MC failed 1: link partner malfunctions 0: link partner is normal	0
23.13	--	lp_sd_off_way	RO	Link Partner informing way of SD off 1: Link partner sends far end fault pattern when its SD is off. 0: Link partner sends maintenance frame when its SD is off.	1
23.14	--	lp_multi_tp_port	RO	MC support multi-port UTP 1: Link partner supports more than one TP port 0: Link partner supports one TP port	0
23.15	--	mg_link_pass_en	RO	Link Fault Pass through enable 1: Link partner supports Link Fault Pass Through function 0: Link partner doesn't support Link Fault Pass Through function This bit is valid only if MII register 20 bit10 is set to be 0.	0



Extended MII registers and EEPROM registers 24

MII	ROM	NAME	R/W	DESCRIPTION	DEFAULT	
Remote control Transmit register 1 (MII register 24D)						
24.0	--	mg_rem_tx_code	R/W	Remote control frame send trigger 1: command IP113M LF to send a maintenance frame 0: does not command IP113M LF to send a maintenance frame If user wants to send another maintenance frame, he has to write "1" to this bit again.	0	
24.1	--	mg_rem_tx_code	R/W	Transmitted maintenance direction discriminator C1 It is C1 field of a maintenance frame. 0: upstream 1: downstream	0	
24[3:2]	--	mg_rem_tx_code	R/W	Transmitted maintenance frame command discriminator C3~C2 It is C[3:2] field of a maintenance frame. 01: request 11: acknowledge 10: Indication 00: reserved	00	
24[11:4]	--	mg_rem_tx_code	R/W	Transmitted maintenance frame control signals C15~C8 It is C[15:8] field of a maintenance frame.	8'b0	
				Bit11(C15)bit4(C8)		Function
				0 0 0 0 0 0 01		Loop test start
				0 0 0 0 0 0 00		Loop test finished
				0 0 0 0 0 0 10		Status indication
				Address [4:0]		RW
Note: R/W: 0: read, 1: write A[4:0]: register address						
24[15:12]	--	Reserved				



Extended MII registers and EEPROM registers 25

MI	ROM	NAME	R/W	DESCRIPTION	DEFAULT
Remote control Transmit register 2 (MII register 25D)					
25[15:0]	--	mg_rem_wt_data	R/W	Remote control write data If a remote write command is issued, that is, MII register 24[6:4] is programmed as 111. The content in this register will be embedded into S[15:0] of a maintenance and is sent to the link partner. The link partner, an IP113M LF, will update the addressed MII register with the value defined in this register after receiving the remote write command.	16'b0



Extended MII registers and EEPROM registers 26

MII	ROM	NAME	R/W	DESCRIPTION	DEFAULT
Remote control Receive register 1 (MII register 26D)					
26.0	--	mg_rem_rx_code	RO RC	Receive an acknowledge maintenance, that is field C[2:3]=11, or undefined maintenance frame. 1: IP113M LF receives a response (acknowledge) maintenance frame or undefined maintenance frame. 0: no response (acknowledge) maintenance frame or undefined maintenance frame received. User can poll this bit to make sure if there is an acknowledge maintenance frame or an undefined maintenance frame is received. It is a read and auto-clear bit. Note: register 26~30 will be updated only when this bit is 1.	0
26.1	--	mg_rem_rx_code	RO	Direction discriminator C1 of a received maintenance frame.	0
26[3:2]	--	mg_rem_rx_code	RO	Command discriminator C3~C2 of a received maintenance frame.	00
26[11:4]	--	mg_rem_rx_code	RO	control signals C15~C8 of a received maintenance frame.	8'b0
26[12]	--	mg_rem_rx_code	RO RC	Received maintenance frame CRC error 1: received a maintenance frame with CRC error. 0: received a maintenance frame with correct CRC . It is a read and auto-clear bit.	
26[15:13]	--	Reserved			



Extended MII registers and EEPROM registers 27,28,29,30

MII	ROM	NAME	R/W	DESCRIPTION	DEFAULT
Remote control Receive register 2 (MII register 27D)					
27[15:0]	--	mg_rem_rd_data	RO	Remote read data The link partner will send out a maintenance frame carrying remote-read data if IP113M LF issues a remote-read command by sending a maintenance frame. It is derived from the S[15:0] field of a received maintenance frame sent by the link partner.	16'b0

MII	ROM	NAME	R/W	DESCRIPTION	DEFAULT
Remote control Receive register 3 (MII register 28D)					
28[15:0]	--	mg_rem_rd_data	RO	Vender message M0~M15 The M[15:0] field of a received maintenance frame sent by the link partner.	16'b0

MII	ROM	NAME	R/W	DESCRIPTION	DEFAULT
Remote control Receive register 4 (MII register 29D)					
29[15:0]	--	mg_rem_rd_data	RO	Vender message M16~M31 The M[31:16] field of a received maintenance frame sent by the link partner.	16'b0

MII	ROM	NAME	R/W	DESCRIPTION	DEFAULT
Remote control Receive register 5 (MII register 30D)					
30[15:0]	--	mg_rem_rd_data	RO	Vender message M32~M47 The M[47:32] field of a received maintenance frame sent by the link partner.	16'b0



Extended MII registers and EEPROM registers 31

MI	ROM	NAME	R/W	DESCRIPTION	DEFAULT
Switch configuration register 3 (MII register 31D)					
31.0	--	software_reset	R/W SC	Chip software reset Reset IP113M LF without updating the content of registers. It is a self-clear bit. 1: reset, 0: not reset	0
31.1	--	mg_power_indicate_disable	R/W	IP113M LF power abnormal indication disable 1: IP113M LF does not send out maintenance frame with power abnormal message when its power is abnormal 0: IP113M LF sends out maintenance frame with power abnormal message when its power is abnormal	0
31.2	--	TP_link_list_fail	RO	TP port link list failure indication 1: TP port memory link list fails 0: TP port memory link list is ok This bit is always 0, if IP113M LF is in normal operation.	0
31.3	--	Fiber_link_list_fail	RO	Fiber port link list failure indication 1: Fiber port memory link list fails 0: Fiber port memory link list is ok This bit is always 0, if IP113M LF is in normal operation.	0
31[5:4]	--	BIST_status	RO	BIST Status of embedded SSRAM bit[4] : memory is under testing 1: under testing, 0: testing over bit[5] : memory test result is good when testing over 1: good, 0: fail Bit[5:4] is "01" at the end of reset. After BIST, If the test result is ok, it becomes "10", otherwise it shows "00".	01
31.6	--	mg_auto_loopback_test	R/W	Auto loopback test enable 1: start an auto loopback test procedure, 0: does not perform auto loop back test	0
31.7	--	mg_t2_timer_disable	R/W	Loopback test T2 timer disabled Disable the function of T2 timer defined in TS-1000. 1: IP113M LF does not send loopback end indication maintenance frame when T2 timer expires 0: IP113M LF sends loopback end maintenance frame when T2 timer expires	0
31.8	--	mg_auto_loopback_complete	RO	Auto loopback test complete 1: loopback test is completed, 0: under testing	0



31.9	--	mg_auto_loopback_ok	RO	Auto loopback test OK 1: loopback test result is ok 0: loopback test result fails	0
31[15:10]	--	Reserved			



4. Electrical Characteristics

4.1 Absolute Maximum Rating

Stresses above those listed under Absolute Maximum Ratings may cause permanent damage to the device. Functional performance and device reliability are not guaranteed under these conditions. All voltages are specified with respect to GND.

Supply Voltage	-0.3V to V _{CC} +0.3V
Input Voltage	-0.3V to V _{CC} +0.3V
Output Voltage	-0.3V to V _{CC} +0.3V
Storage Temperature	-55°C to 125°C
Ambient Operating Temperature (T _a)	0°C to 70°C

4.2. DC Characteristic

Operating Conditions

Parameter	Sym.	Min.	Typ.	Max.	Unit	Conditions
Supply Voltage	V _{CC}	2.375	2.5	2.645	V	
Power Consumption			0.475		W	V _{CC} =2.5v

Input Clock

Parameter	Sym.	Min.	Typ.	Max.	Unit	Conditions
Frequency			25		MHz	
Frequency Tolerance		-100		+100	PPM	

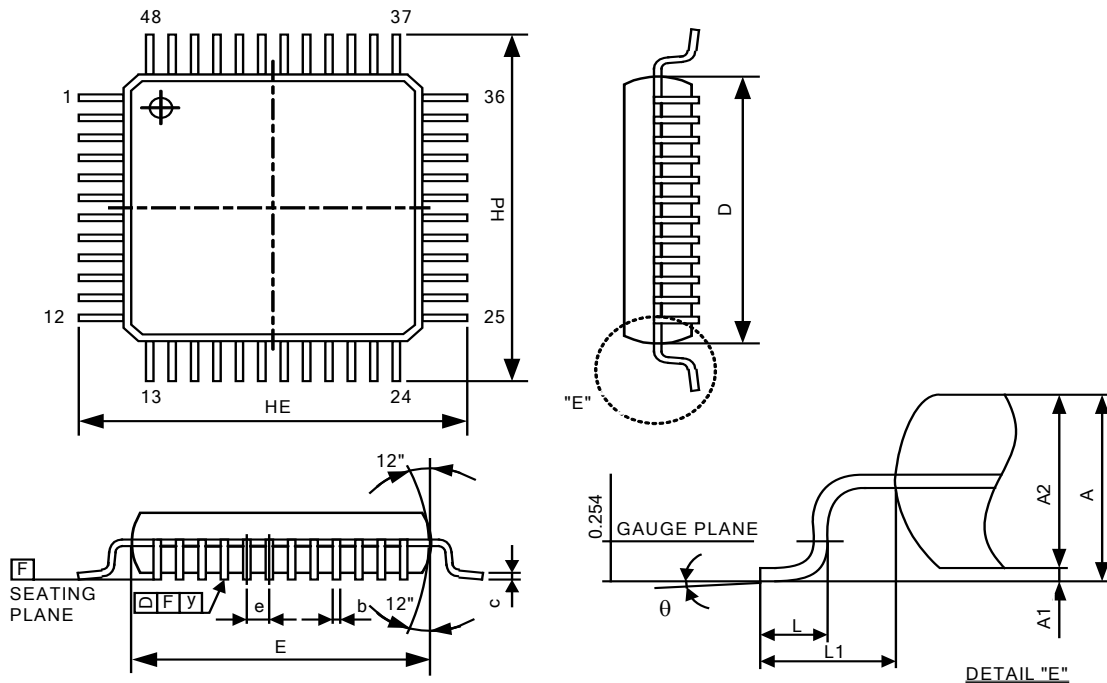
I/O Electrical Characteristics

Parameter	Sym.	Min.	Typ.	Max.	Unit	Conditions
Input Low Voltage	V _{IL}			0.8	V	
Input High Voltage	V _{IH}	2.0			V	
Output Low Voltage	V _{OL}			0.4	V	I _{OH} =4mA
Output High Voltage	V _{OH}	V _{CC} -1 0-0.4			V	I _{OL} =4mA

5. Order Information

Part No.	Package	Notice
IP113M	48-PIN LQFP	-
IP113M LF	48-PIN LQFP	Lead free

6. Package Detail



Symbol	unit	mm	inch
A		1.600MAX.	0.0630MAX.
A1		0.050~0.150	0.0020~0.0059
A2		1.400 ± 0.05	0.0551 ± 0.0020
b		0.200TYP	0.0078TYP
c		0.127TYP	0.0050TYP
D		7.000 ± 0.100	0.2756 ± 0.0039
E		7.000 ± 0.100	0.2756 ± 0.0039
e		0.500TYP	0.0196TYP
Hd		9.000 ± 0.250	0.3543 ± 0.0098
He		9.000 ± 0.250	0.3543 ± 0.0098
L		0.600 ± 0.150	0.0236 ± 0.006
L1		1.000REF	0.0393REF
y		0.100MAX.	0.0039MAX.
θ		0°~7°	0°~7°

Notes:

1. DIMENSION D & E DO NOT INCLUDE MOLD FLASH OR PROTRUSION.
 2. DIMENSION b DOES NOT INCLUDE DAMBAR PROTRUSION / INTRUSION.
 3. MAX. END FLASH IS 0.15MM.
 4. MAX. DAMBAR PROTRUSION IS 0.13MM.
- GENERAL APPEARANCE SPEC SHOULD BE BASED ON FINAL VISUAL INSPECTION SPEC.

IC Plus Corp.

Headquarters

10F, No.47, Lane 2, Kwang-Fu Road, Sec. 2,
Hsin-Chu City, Taiwan 300, R.O.C.
TEL : 886-3-575-0275 FAX : 886-3-575-0475
Website : www.icplus.com.tw

Sales Office

4F, No. 106, Hsin-Tai-Wu Road, Sec.1,
Hsi-Chih, Taipei Hsien, Taiwan 221, R.O.C.
TEL : 886-2-2696-1669 FAX : 886-2-2696-2220