



ASD™

ITAxxB1

BIDIRECTIONAL TRANSIL™ ARRAY FOR DATALINE PROTECTION

MAIN APPLICATIONS

Differential data transmission lines protection, such as :

- RS-232
- RS-423
- RS-422
- RS-485

FEATURES

- High surge capability Transil array:
I_{PP} = 40 A (8/20μs)
- Peak pulse power : 300 W (8/20μs)
- Up to 5 bidirectional Transil functions
- Low clamping factor (V_{CL} / V_{BR}) at high current level
- Low leakage current
- ESD protection up to 15kV

DESCRIPTION

Transil diode arrays provide high overvoltage protection by clamping action. Their instantaneous response to transient overvoltages makes them particularly suited to protect voltage sensitive devices such as MOS Technology and low voltage supplied IC's.

The ITA series combines high surge capability against energetic pulses with high voltage performance against ESD.

COMPLIES WITH THE FOLLOWING STANDARDS:

- IEC61000-4-2 level 4:
 - 15kV (air discharge)
 - 8kV (contact discharge)
- MIL STD 883E-Method 3015-7: class3
25kV HBM (Human Body Model)

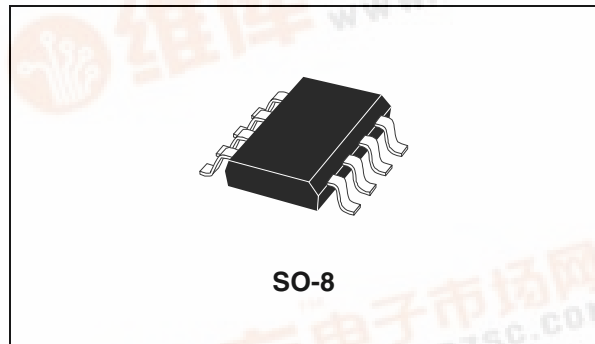
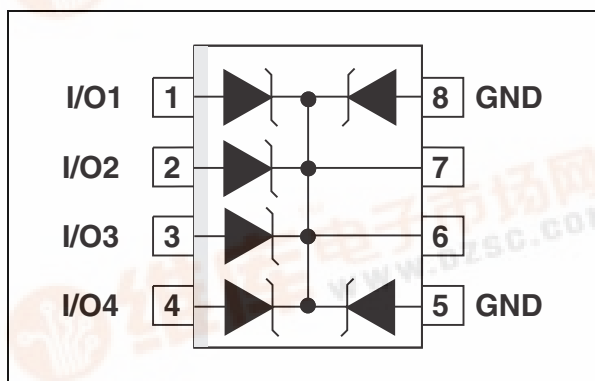


Table 1: Order Codes

Part Number	Marking
ITA6V5B1	6V5B1
ITA6V5B1RL	6V5B1
ITA10B1	10B1
ITA18B1	18B1
ITA18B1RL	18B1
ITA25B1	25B1
ITA25B1RL	25B1

Figure 1: Functional Diagram



TM: ASD and TRANSIL are trademarks of STMicroelectronics.



ITAxxB1

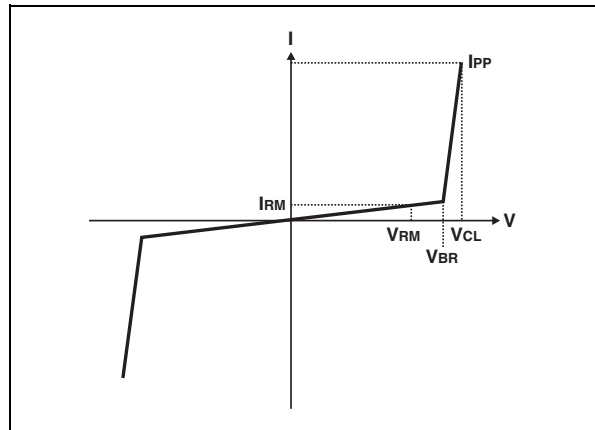
Table 2: Absolute Ratings ($T_{amb} = 25^{\circ}\text{C}$)

Symbol	Parameter		Value	Unit
P_{PP}	Peak pulse power (8/20 μs) (see note 1)	T_j initial = T_{amb}	300	W
I_{PP}	Peak pulse current (8/20 μs) (see note 1)	T_j initial = T_{amb}	40	A
I^2t	Wire I^2t value (see note 1)		0.6	A^2s
T_j	Maximum operating junction temperature		125	$^{\circ}\text{C}$
T_{stg}	Storage temperature range		-55 to +150	$^{\circ}\text{C}$
T_L	Maximum lead temperature for soldering during 10 s at 5mm for case		260	$^{\circ}\text{C}$

Note 1: For surges greater than the specified maximum value, the I/O will first present a short-circuit and after an open circuit caused by the wire melting.

Table 3: Electrical Characteristics ($T_{amb} = 25^{\circ}\text{C}$)

Symbol	Parameter
V_{RM}	Stand-off voltage
V_{BR}	Breakdown voltage
V_{CL}	Clamping voltage
I_{RM}	Leakage current
I_{PP}	Peak pulse current
αT	Voltage temperature coefficient
V_F	Forward voltage drop
C	Capacitance



Part Number	V_{BR} @ I_R		I_{RM} @ V_{RM}		V_{CL} @ I_{PP}		V_{CL} @ I_{PP}		αT max.	C max.
	min. note 2		max.		8/20 μs note 2		max. 8/20 μs note 2			
	V	mA	μA	V	V	A	V	A	$10^{-4}/^{\circ}\text{C}$	pF
ITA6V5B1	6.5	1	10	5	10	10	12	25	4	750
ITA10B1	10	1	4	8	15	10	19	25	8	570
ITA18B1	18	1	4	15	25	10	28	25	9	350
ITA25B1	25	1	4	24	33	10	38	25	12	300

Note 2: Between I/O pin and ground.

Note 3: Between two input pins at 0V Bias, $F = 1$ MHz.

Figure 2: Pulse waveform

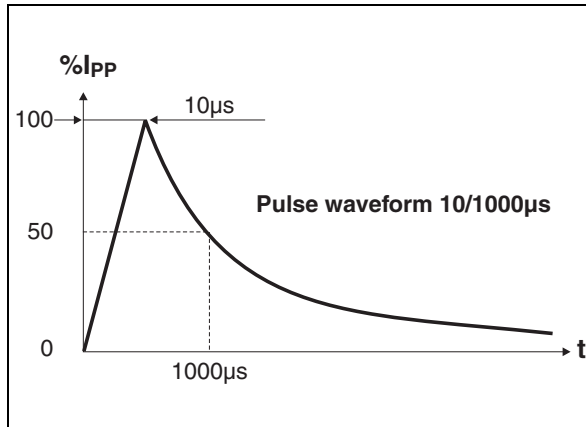


Figure 3: Typical peak pulse power versus exponential pulse duration

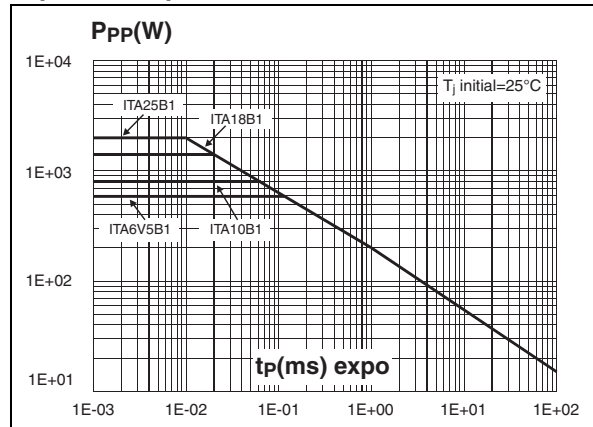


Figure 4: Clamping voltage versus peak pulse current (exponential waveform 8/20µs)

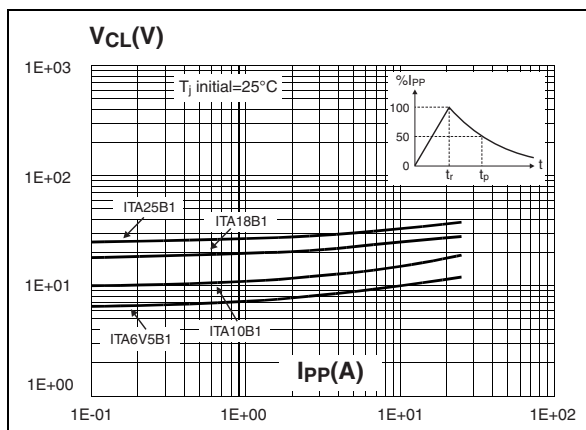


Figure 5: Peak current Idc inducing open circuit of the wire for one input/output versus pulse duration (typical values)

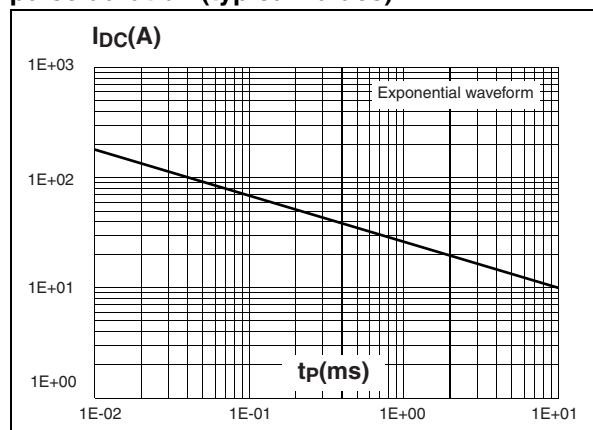


Figure 6: Junction capacitance versus reverse applied voltage for one input/output (typical values)

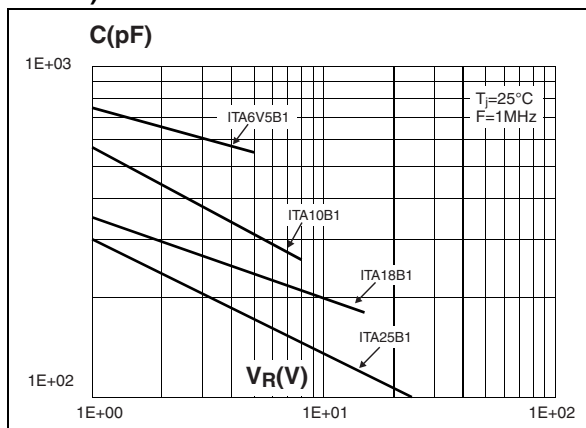
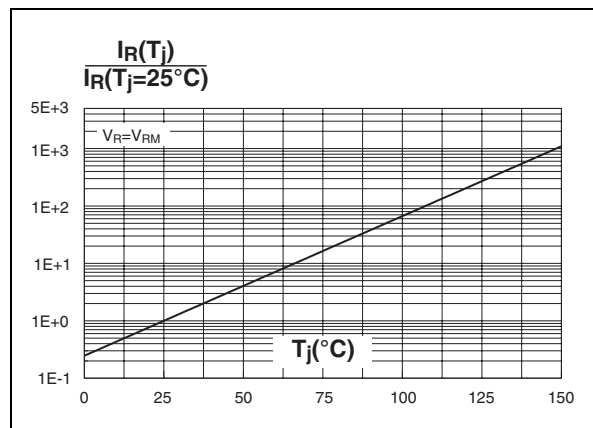


Figure 7: Relative variation of leakage current versus junction temperature



ITAxxB1

This monolithic Transil Array is based on 6 unidirectional Transils with a common cathode and can be configured to offer up to 5 bidirectional functions. This imposes a maximum differential voltage between 2 input pins (see table 4).

Table 4: Application information

Types	Maximum differential voltage between two input pins at 25°C
ITA6V5B1	+ / - 3.5 v
ITA10B1	+ / - 5.0 v
ITA18B1	+ / - 9.0 v
ITA25B1	+ / - 12.5 v

Figure 8: RS-232 junction (typical application)

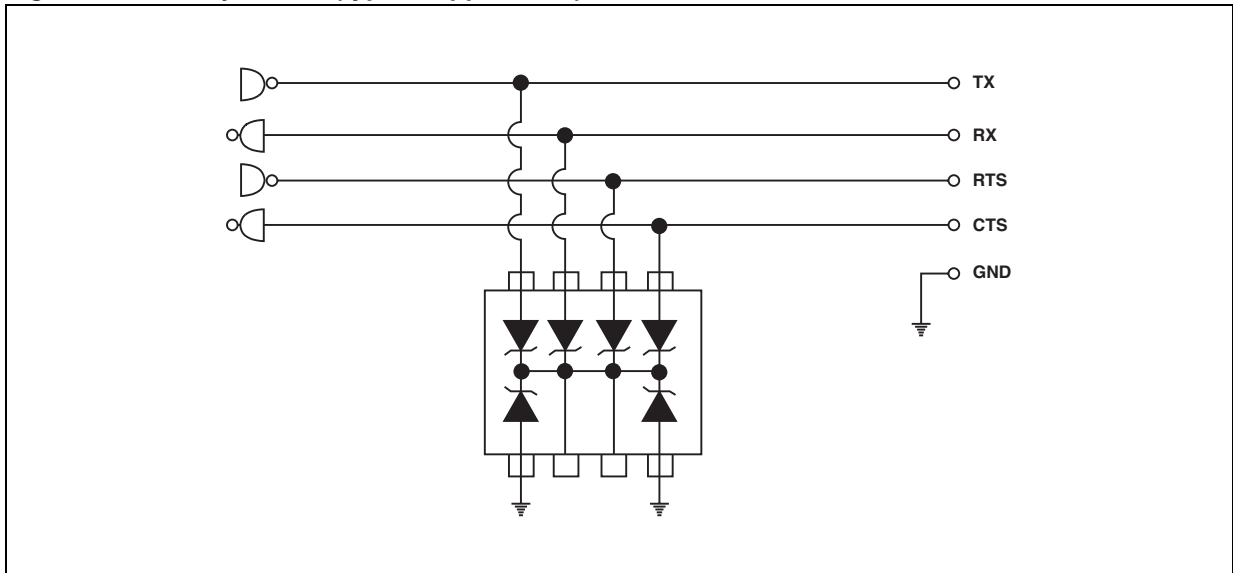


Figure 9: Ordering Information Scheme

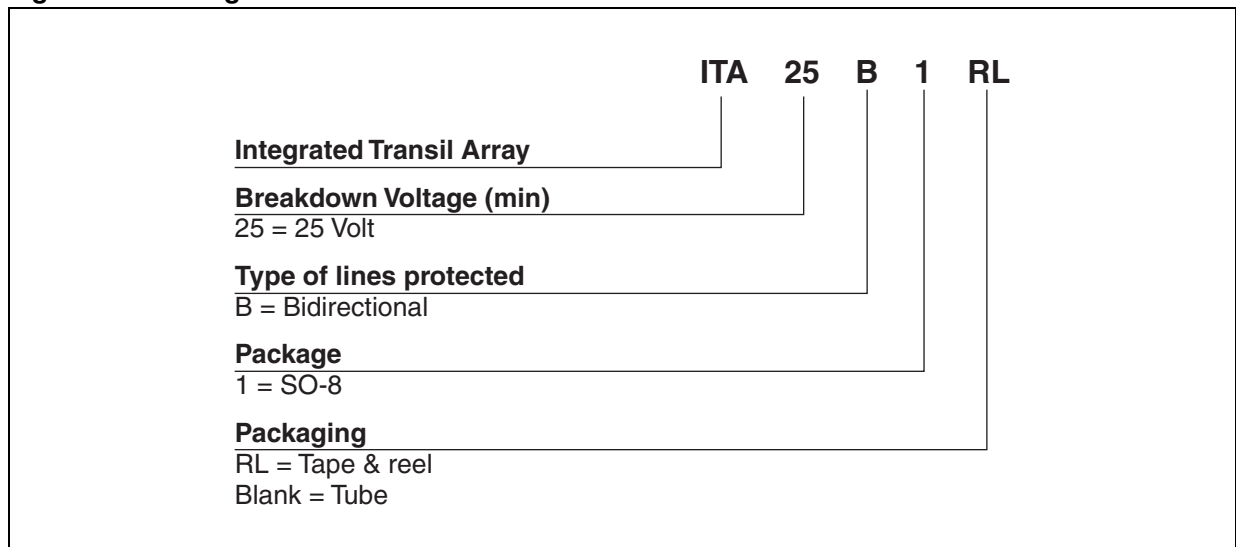


Figure 10: SO-8 Package Mechanical Data

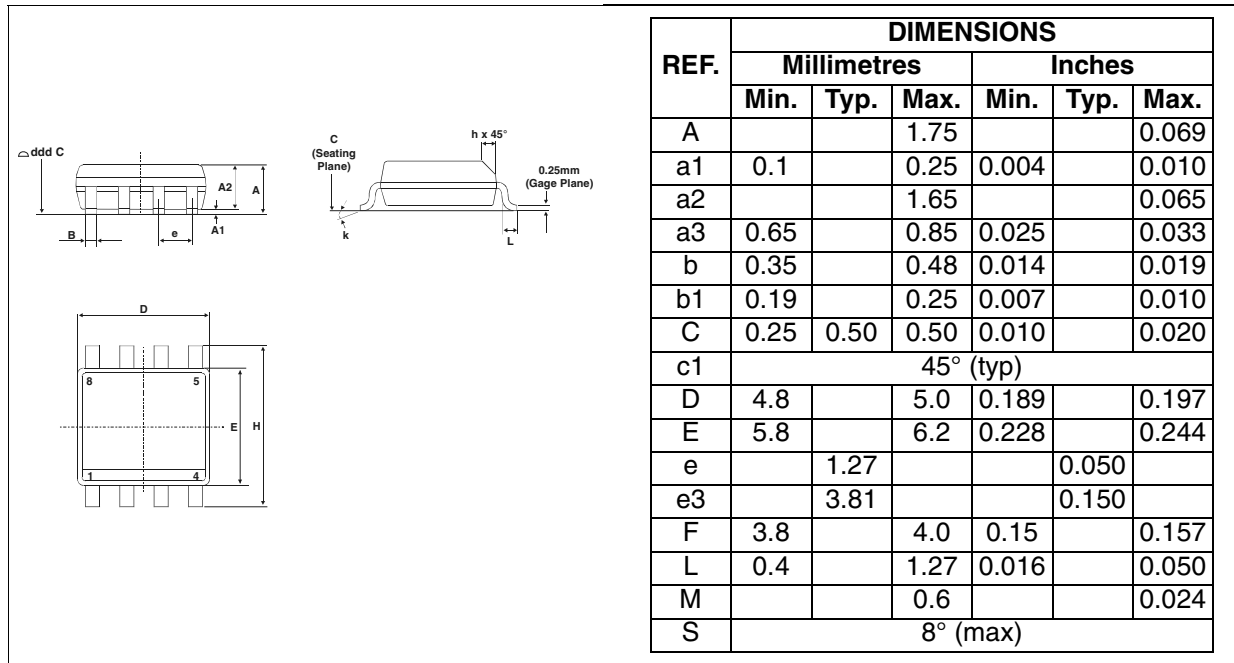


Figure 11: Foot Print Dimensions (in millimeters)

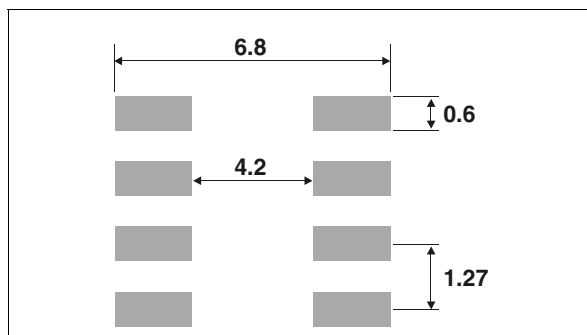


Table 5: Ordering Information

Part Number	Marking	Package	Weight	Base qty	Delivery mode
ITA6V5B1	6V5B1	SO-8	0.08 g	2000	Ammopack
ITA6V5B1RL	6V5B1			2500	Tape & reel
ITA10B1	10B1			2000	Ammopack
ITA18B1	18B1			2000	Ammopack
ITA18B1RL	18B1			2500	Tape & reel
ITA25B1	25B1			2000	Ammopack
ITA25B1RL	25B1			2500	Tape & reel

Table 6: Revision History

Date	Revision	Description of Changes
13-Dec-2004	1	First issue

Information furnished is believed to be accurate and reliable. However, STMicroelectronics assumes no responsibility for the consequences of use of such information nor for any infringement of patents or other rights of third parties which may result from its use. No license is granted by implication or otherwise under any patent or patent rights of STMicroelectronics. Specifications mentioned in this publication are subject to change without notice. This publication supersedes and replaces all information previously supplied. STMicroelectronics products are not authorized for use as critical components in life support devices or systems without express written approval of STMicroelectronics.

The ST logo is a registered trademark of STMicroelectronics.
All other names are the property of their respective owners

© 2004 STMicroelectronics - All rights reserved

STMicroelectronics group of companies

Australia - Belgium - Brazil - Canada - China - Czech Republic - Finland - France - Germany - Hong Kong - India - Israel - Italy - Japan -
Malaysia - Malta - Morocco - Singapore - Spain - Sweden - Switzerland - United Kingdom - United States of America
www.st.com