

PULSEJACK™

PowerJack T12

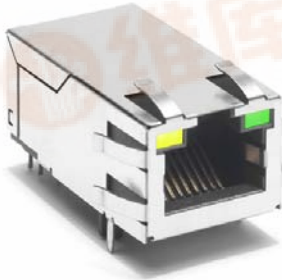


Description:

10/100 Base-TX RJ45 single port with LEDs and integrated magnetics – Designed for most leading PHY manufacturers with the addition of Power Feeding over the signal pairs according to IEEE 802.3af



Features and Benefits:



- ⊕ RoHS-5 peak wave solder temperature rating 235°C
- ⊕ RoHS-6 peak wave solder temperature rating 260°C
- ⊕ Single port Connector for PoE applications
- ⊕ Contains Surge Suppression to protect IC from power spikes

Electrical Specifications @ 25°C — Operating Temperature 0°C to +70°C

RoHS-5 ³ Compliant Part No.	RoHS-6 ⁴ Compliant Part No.	Tab Option	LEDs ² L/R	Insertion Loss TX/RX (dB TYP)	Return Loss (dB TYP) 100Ω (±15Ω)				Crosstalk (dB TYP)			Common Mode Rejection (dB TYP)		Hipot (Vrms MIN)
					1-100 MHz	1-10 MHz	30 MHz	60-80 MHz	1-10 MHz	30-60 MHz	60-100 MHz	1-50 MHz	50-130 MHz	
JK0-0020	JK0-0020NL	UP	Y-G/G	-1.0	-20	-16	-12	-40	-35	-30	-26	-20	1500	
JK0-0025	JK0-0025NL	UP	Y-G/G	-1.0	-20	-16	-12	-40	-35	-30	-26	-20	1500	
JK0-0026	JK0-0026NL	UP	Y-G/G	-1.0	-20	-16	-12	-40	-35	-30	-26	-20	1500	
JK0-0044	JK0-0044NL	UP	—	-1.0	-20	-16	-12	-40	-35	-30	-26	-20	1500	

NOTES:

1. Both transmit and receive channels meet **IEEE 802.3i/u** (10/100 Base-T) and **IEEE 802.3af** (10/100 Base-T PoE) specifications.
2. LEDs Left/Right: **Y-G** = Bicolor: yellow/green; **G** = green.
3. **RoHS-5** - Product does not contain 5 out of the 6 banned substances specified in the RoHS directive. Product contains lead in applications considered as solders.
4. **RoHS-6** - Product does not contain 5 out of the 6 banned substances specified in the RoHS directive. Some internal connections may contain lead in high temperature solder (solder alloys containing more than 85% lead).

RJ45 Durability Testing Rating

Part Number	Mating Force (MAX)	Unmating Force (MAX)	Durability	Plug to Jack Retention (MIN)
JK0 Series	5lbs./2.268kgs.	5lbs./2.268kgs.	500 Insertions	20lbs./9.072kgs.

RJ45 Material Specification

Part Number	Shield		Contact			Housing		MSL ³ Rating
	Material	Finish	Material	Plating Area	Solder Area ²	Material	Specification	
JK0 Series	Brass	20-40μ inches thick nickel over brass	Phosphor Bronze	15μ inches gold over 30-80μ inches nickel	75-300μ inches tin-lead over 75-300μ inches nickel	Thermoplastic	UL 94 V-0	1

NOTES:

1. Connector dimensions comply with FCC dimension requirements.
2. NL parts are tin matte finish over nickel.
3. MSL - Moisture Sensitivity Level class limits = 1 to 5 (Highest: 1; Lowest: 5).



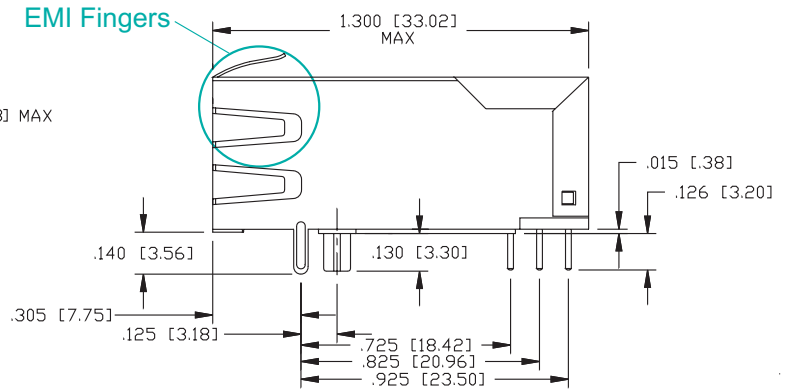
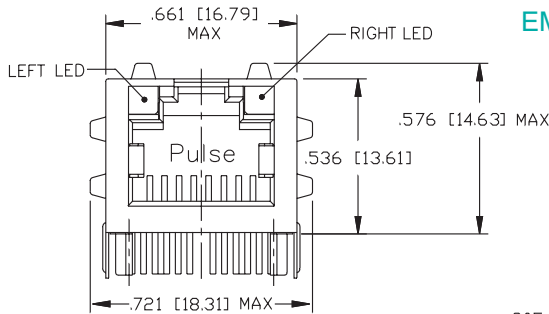
PULSEJACK™

PowerJack T12

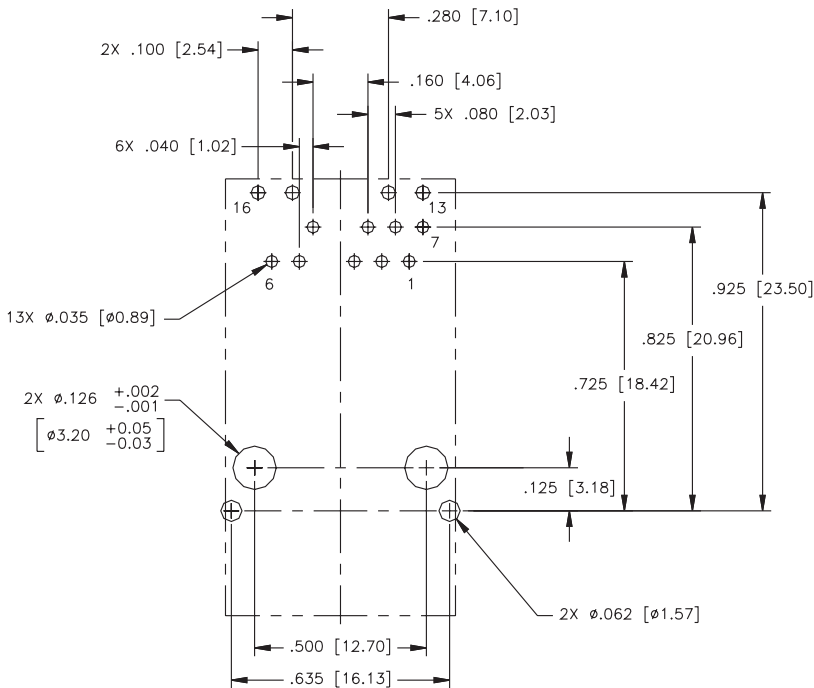


Mechanical

JK0-00XX



JK0-0020/0025/0026

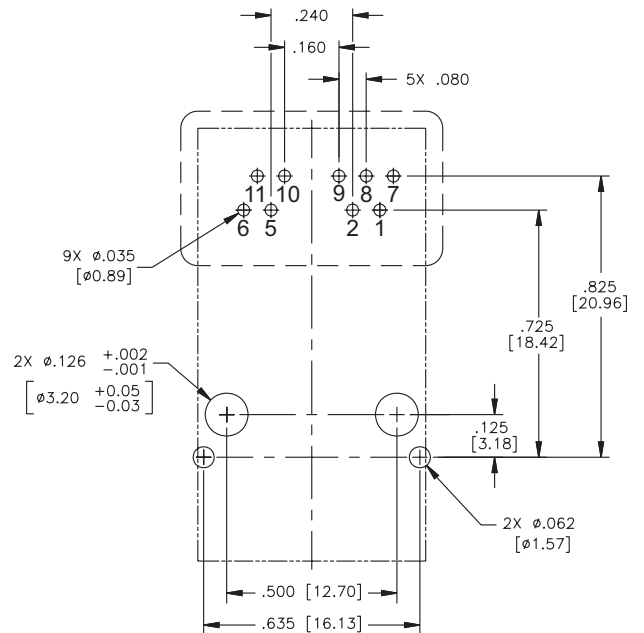


FRONT OF CONNECTOR

SUGGESTED PCB LAYOUT
COMPONENT SIDE SHOWN

DIMENSIONAL TOLERANCE:
.XXX ±.003 [X.XX ±0.08]

JK0-0044

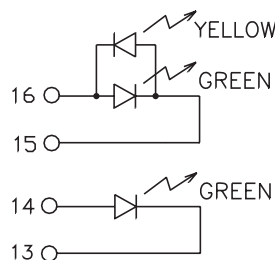


FRONT OF CONNECTOR

SUGGESTED PCB LAYOUT
COMPONENT SIDE SHOWN

DIMENSIONAL TOLERANCE:
.XXX ±.003 [X.XX ±0.08]

LED Pins



PULSEJACK™

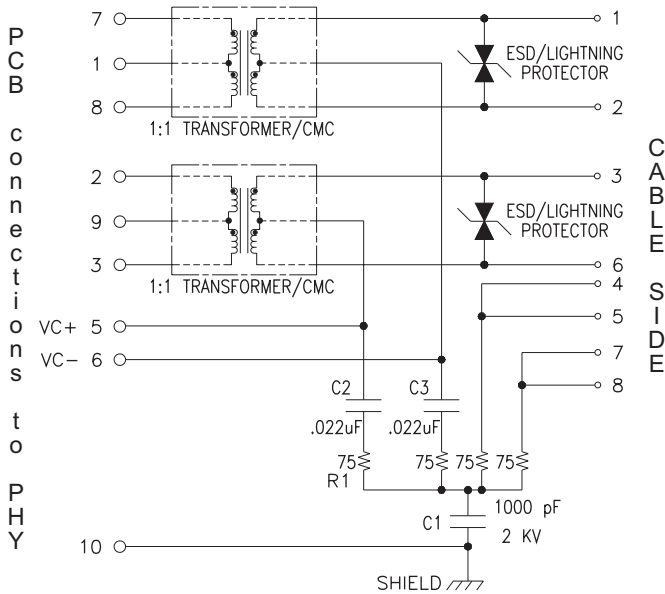
PowerJack T12



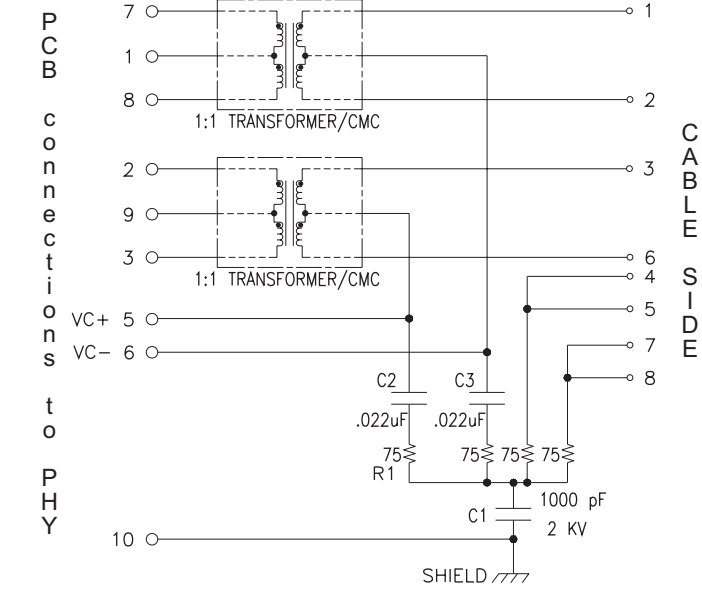
Schematics

www.pulseeng.com

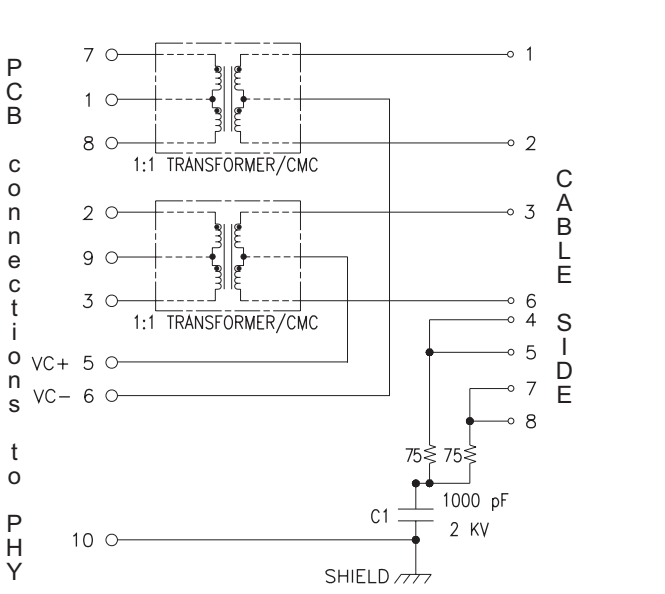
JK0-0020



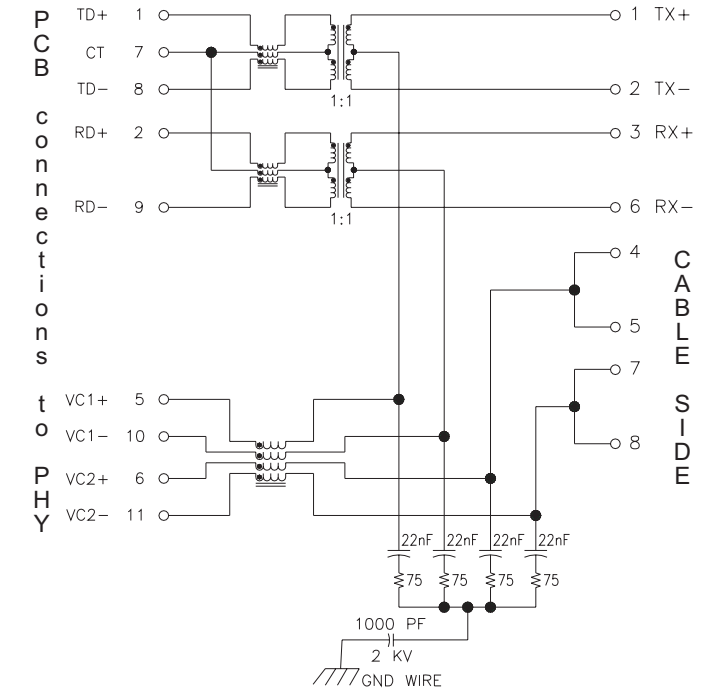
JK0-0025



JK0-0026



JK0-0044



For More Information:

Pulse Worldwide Headquarters	Pulse Northern Europe	Pulse Southern Europe	Pulse China Headquarters	Pulse North China	Pulse South Asia	Pulse North Asia
12220 World Trade Drive San Diego, CA 92128 U.S.A. www.pulseeng.com TEL: 858 674 8100 FAX: 858 674 8262	3 Huxley Road Surrey Research Park Guildford, Surrey GU2 5RE United Kingdom TEL: 44 1483 401700 FAX: 44 1483 401701	Zone Industrielle F-39270 Orgelet France TEL: 33 3 84 35 04 04 FAX: 33 3 84 25 46 41	No. 1 Industrial District Changan, Dongguan China TEL: 86 769 85538070 FAX: 86 769 85538870	Room 1503 XinYin Building No. 888 YiShan Road Shanghai 200233 China TEL: 86 21 54643211/2 FAX: 86 21 54643210	150 Kampong Ampat #07-01/02 KA Centre Singapore 368324 TEL: 65 6287 8998 FAX: 65 6280 0080	No. 26 Kao Ching Road Yang Mei Chen Taoyuan Hsien Taiwan, R. O. C. TEL: 886 3 4641811 FAX: 886 3 4641911

Performance warranty of products offered on this data sheet is limited to the parameters specified. Data is subject to change without notice. Other brand and product names mentioned herein may be trademarks or registered trademarks of their respective owners.