

查询KFF666A供应商

Ceramic Monoblock Duplex Filter

CTS WIRELESS COMPONENTS

捷多邦, 专业PCB打样工厂 24小时加急出货

Model KFF666A Technical Data

Features:

- Small Size
- High Performance
- SMD

Description and Applications:

This monoblock Duplexer filter is primarily designed for US PCS applications at 1850-1990 MHz.



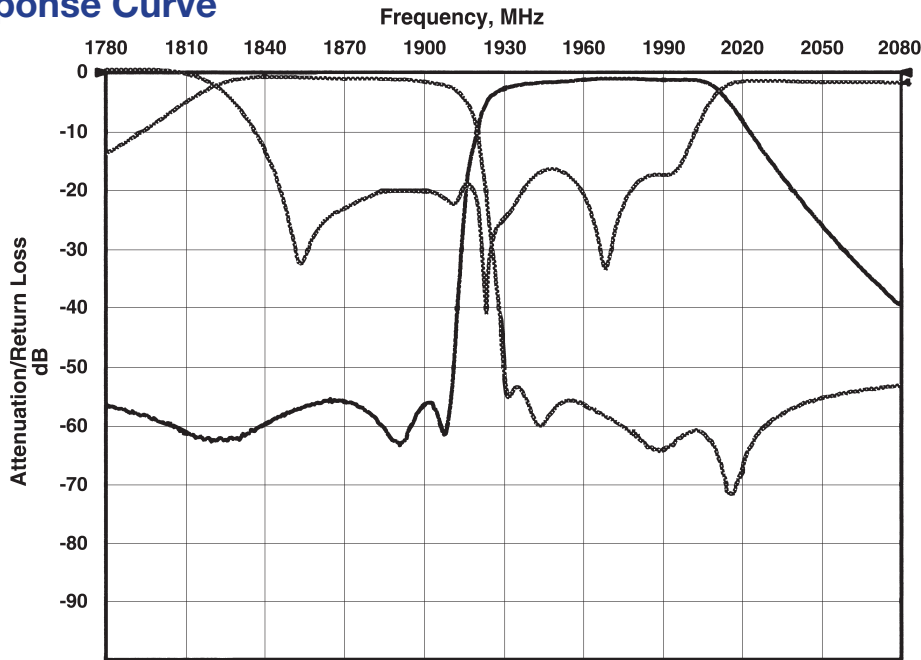
Electrical Specifications

Antenna to TX Response	Frequency	Specifications @ 25° C
Insertion Loss	1850 MHz to 1910 MHz	3.4 dB max.
Return Loss @ TX		11.0 dB min.
Return Loss @ ANT		11.0 dB min.
Attenuation	1930 MHz to 1990 MHz	40.0 dB min.
Antenna to RX Response	Frequency	Specifications @ 25° C
Insertion Loss	1930 MHz to 1990 MHz	3.4 dB max.
Return Loss @ RX		11.0 dB min.
Return Loss @ ANT		11.0 dB min.
Attenuation	1850 MHz to 1910 MHz	47.0 dB min.
TX to RX Response	Frequency	Specifications @ 25° C
Attenuation	1850 MHz to 1910 MHz	51.0 dB min.
Attenuation	1930 MHz to 1990 MHz	42.0 dB min.
Power Rating		2 W
Impedance		50 Ω

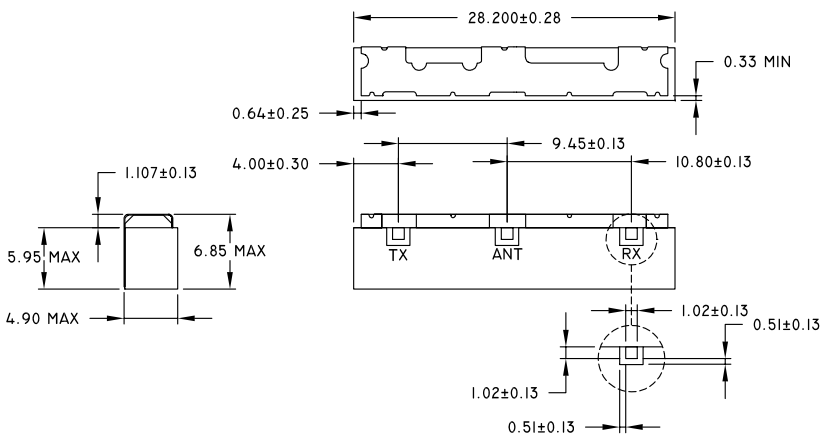
NOTE: Supplier shall test each filter to the critical electrical specifications listed above or better. Any subsequent audits may deviate due to measurement repeatability among different test systems. Such deviations shall not exceed the following limits:

Specification	Typical Allowance
Insertion Loss	0.1 dB
Return Loss	1.0 dB
Stopbands	1.0 dB

Typical Response Curve

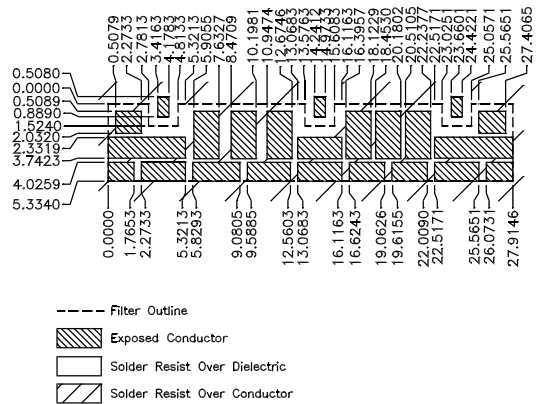


Mechanical Dimensions



All dimensions in mm

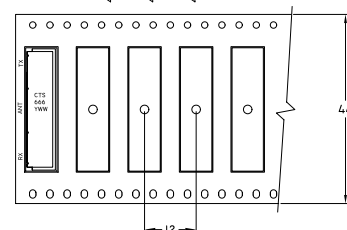
PC Board Layout



Packaging

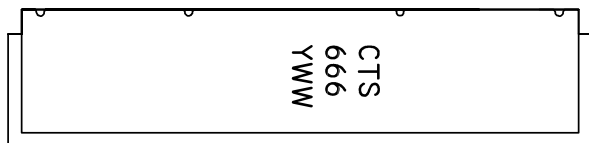
Reel Quantity: 500 pcs. max.
Reel Weight: 5.0 lbs. max.

PACK DIRECTION



Part Marking

Y = LAST DIGIT OF YEAR
WW = SEQUENTIAL WEEK NUMBER



Contact Information: