

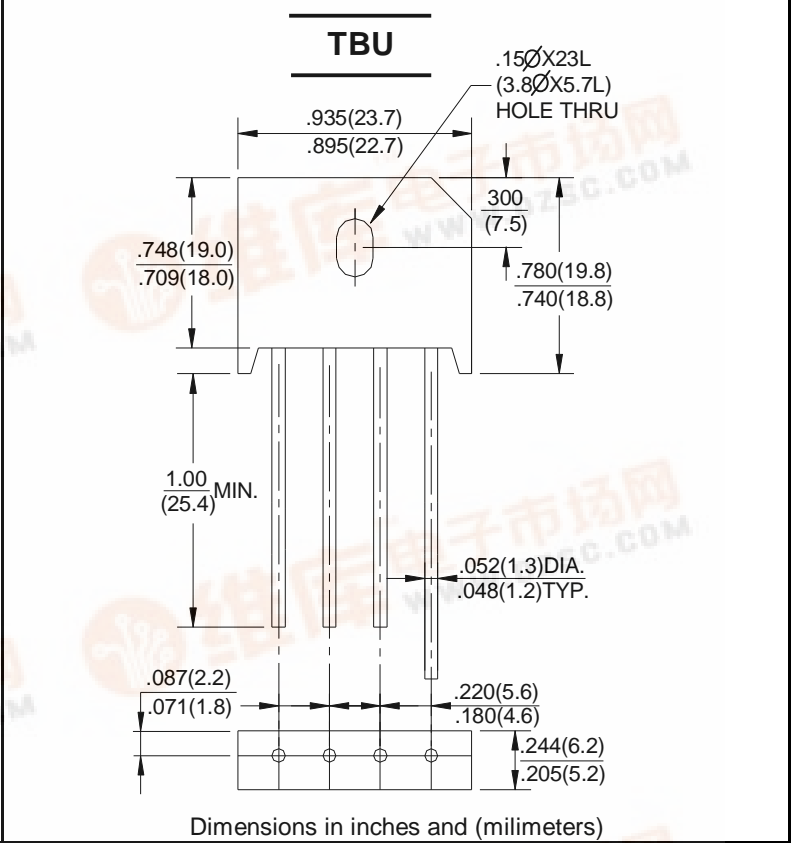


TBU10/15/25/35 SERIES

SILICON BRIDGE RECTIFIERS	REVERSE VOLTAGE - 50 to 1000 Volts FORWARD CURRENT - 10/15/25/35 Amperes
----------------------------------	---

FEATURES

- Surge overload rating -240~400 amperes peak
- Ideal for printed circuit board
- Reliable low cost construction utilizing molded plastic technique
- Plastic material has U/L flammability classification 94V-0
- Mounting position: Any



MAXIMUM RATINGS AND ELECTRICAL CHARACTERISTICS

Rating at 25°C ambient temperature unless otherwise specified.

Single phase, half wave, 60Hz, resistive or inductive load.

For capacitive load, derate current by 20%

CHARACTERISTICS	SYMBOL	TBU 10005	TBU 1001	TBU 1002	TBU 1004	TBU 1006	TBU 1008	TBU 1010	UNIT	
		15005	1501	1502	1504	1506	1508	1510		
Maximum Recurrent Peak Reverse Voltage	V _{RRM}	50	100	200	400	600	800	1000	v	
Maximum RMS Voltage	V _{RMS}	30	70	140	280	420	560	700	v	
Maximum DC Blocking Voltage	V _{DC}	50	100	200	400	600	800	1000	v	
Maximum Average Forward Rectified Current @ T _c =100°C (with heatsink Note 2)	I _(AV)	TBU 10	10	TBU 15	15	TBU 25	25	TBU 35	35	A
Peak Forward Surge Current 8.3ms Single Half Sine-Wave Super Imposed on Rated Load (JEDEC Method)	I _{FSM}	10	3.0	15	3.2	25	3.6	35	4.2	A
Maximum Forward Voltage at 5.0/7.5/12.5/17.5A DC	V _F	1.0	1.1						V	
Maximum DC Reverse Current at Rated DC Blocking Voltage @ T _J =25°C	I _R	10.0						uA		
Operating Temperature Range	T _J	-55 to +125						°C		
Storage Temperature Range	T _{STG}	-55 to +125						°C		

NOTES: 1. Measured at 1.0MHz and applied reverse voltage of 4.0V DC.

2. Device mounted on 100mm*100mm*1.6mm cu plate heatsink.



RATING AND CHARACTERISTIC CURVES

TBU10/15/25/35A SERIES



FIG. 1 – MAXIMUM FORWARD SURGE CURRENT

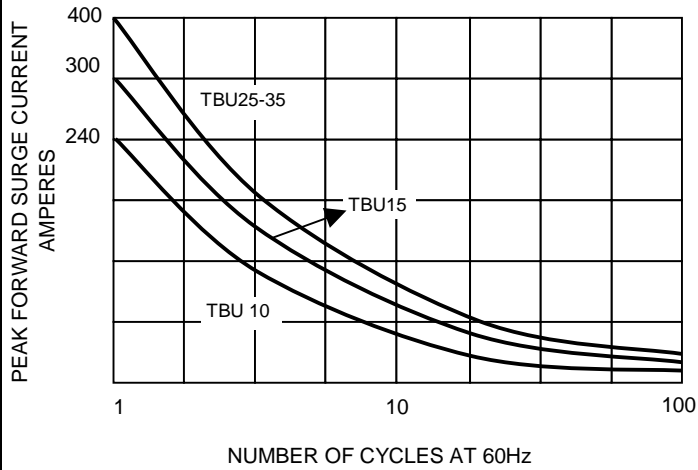


FIG. 2 – DERATING CURVE OUTPUT RECTIFIED CURRENT

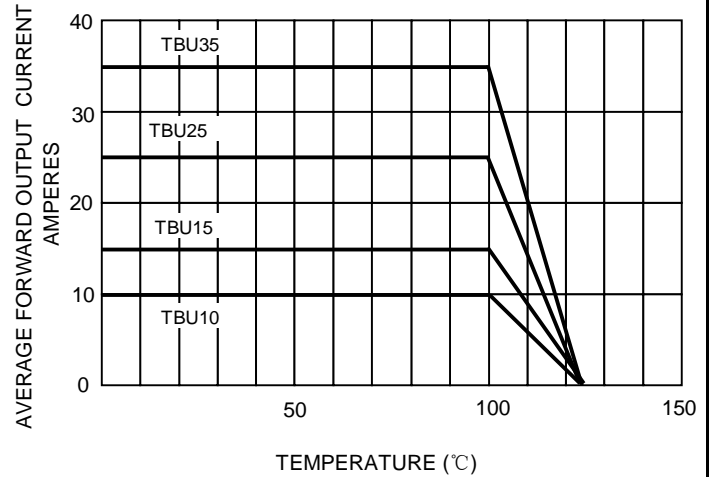


FIG.3- TYPICAL FORWARD CHARACTERISTICS

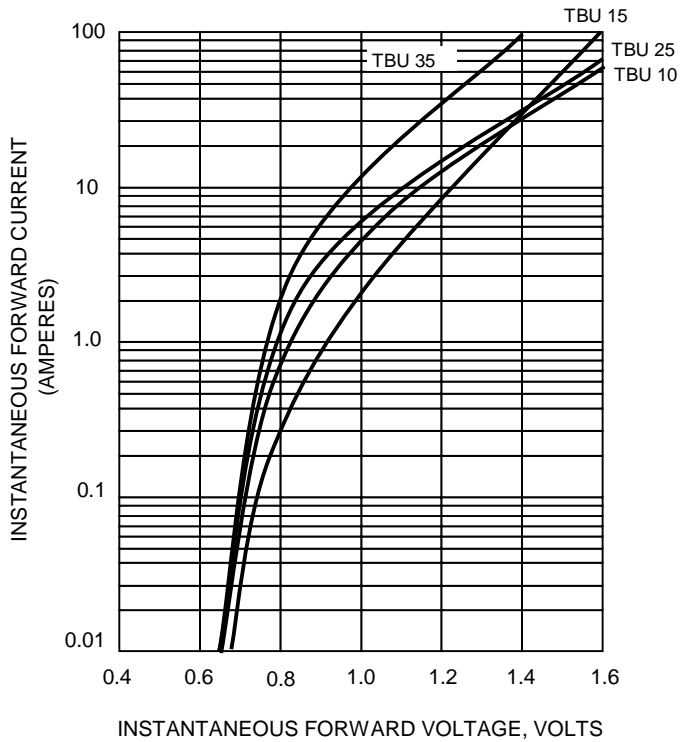


FIG.4 – TYPICAL REVERSE CHARACTERISTICS

