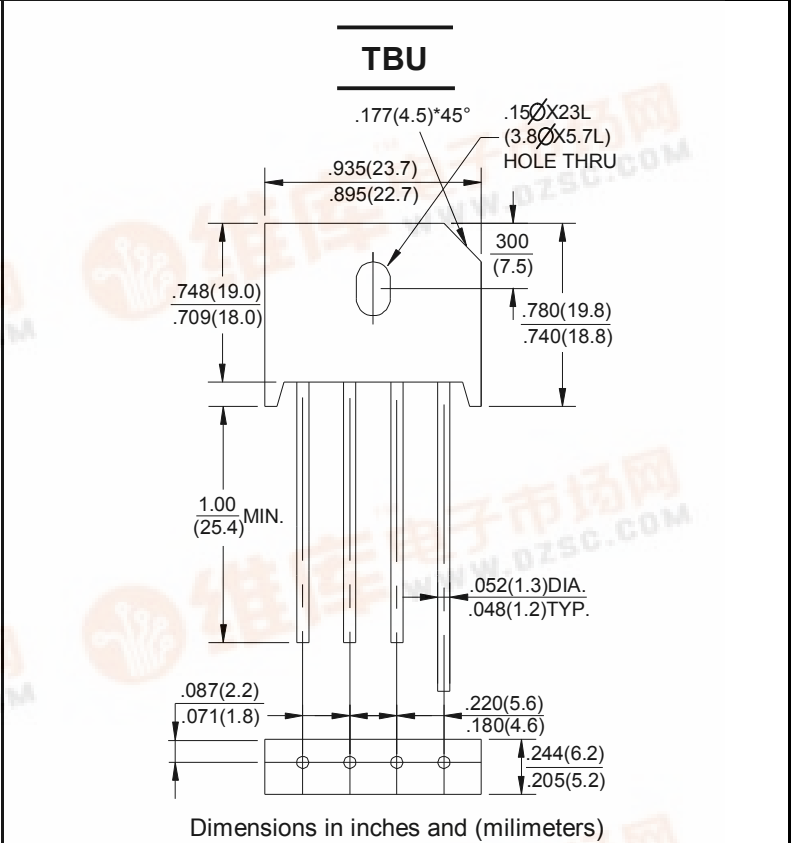




# TBU10005G thru TBU1010G

<b>GLASS PASSIVATED BRIDGE RECTIFIERS</b>	REVERSE VOLTAGE - 50 to 1000Volts FORWARD CURRENT - 10.0 Amperes
---	---

- FEATURES**
- Surge overload rating -200 amperes peak
  - Ideal for printed circuit board
  - Reliable low cost construction utilizing molded plastic technique
  - Plastic material has U/L flammability classification 94V-0
  - Mounting position: Any



## MAXIMUM RATINGS AND ELECTRICAL CHARACTERISTICS

Rating at 25°C ambient temperature unless otherwise specified.  
 Single phase, half wave, 60Hz, resistive or inductive load.  
 For capacitive load, derate current by 20%

CHARACTERISTICS	SYMBOL	TBU 10005G	TBU 1001G	TBU 1002G	TBU 1004G	TBU 1006G	TBU 1008G	TBU 1010G	UNIT	
Maximum Recurrent Peak Reverse Voltage	VRRM	50	100	200	400	600	800	1000	V	
Maximum RMS Voltage	VRMS	35	70	140	280	420	560	700	V	
Maximum DC Blocking Voltage	VDC	50	100	200	400	600	800	1000	V	
Maximum Average Forward Rectified Current @ Tc=100°C (with heatsink Note 1) @ Tc=100°C (without heatsink)	I(AV)	10.0 3.0								A
Peak Forward Surge Current 8.3ms Single Half Sine-Wave Super Imposed on Rated Load (JEDEC Method)	IFSM	200								A
Maximum Forward Voltage at 5.0A DC	VF	1.1								V
Maximum DC Reverse Current at Rated DC Blocking Voltage @ Tj=25°C @ Tj=125°C	IR	10 500								µA
Operating Temperature Range	TJ	-55 to +150								°C
Storage Temperature Range	TSTG	-55 to +150								°C

NOTES: 1. Device mounted on 100mm\*100mm\*1.6mm Cu plate heatsink.



**RATING AND CHARACTERISTIC CURVES**  
**TBU10005G thru TBU1010G**



FIG.1-MAXIMUM FORWARD SURGE CURRENT

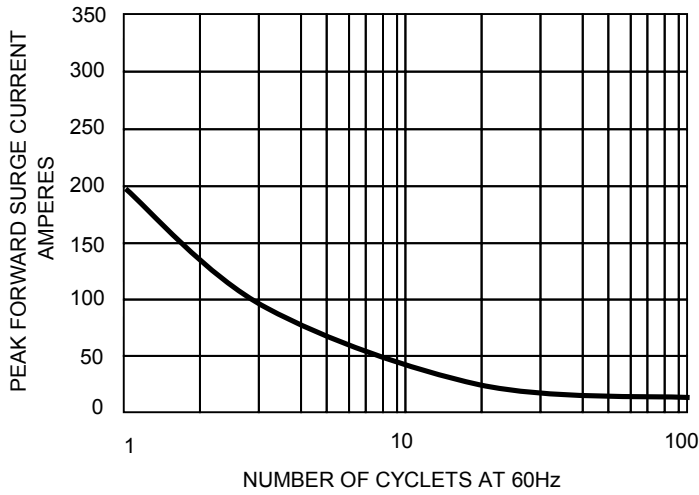


FIG. 2 – DERATING CURVE OUTPUT RECTIFIED CURRENT

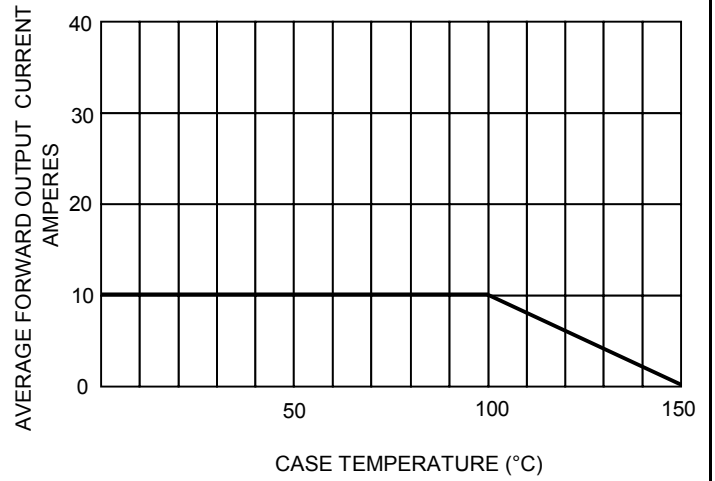


FIG.3- TYPICAL FORWARD CHARACTERISTICS

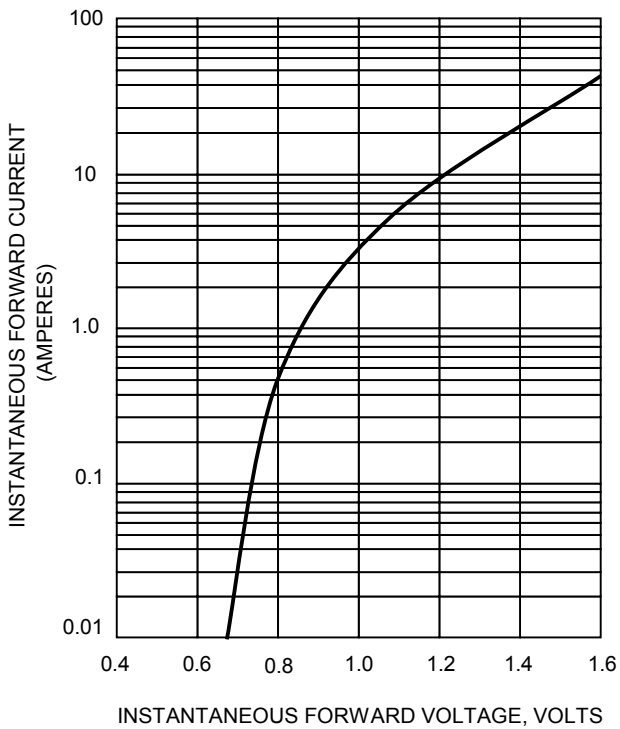


FIG.4- TYPICAL REVERSE CHARACTERISTICS

