

## 0603 SM NTC Thermistors TCT3G Series

TATEYAMA



- 0603 Size
- 6 Values
- Tolerance  $\pm 5\%$  at  $25^\circ\text{C}$
- Temperature range  $-40^\circ\text{C}$  to  $+125^\circ\text{C}$

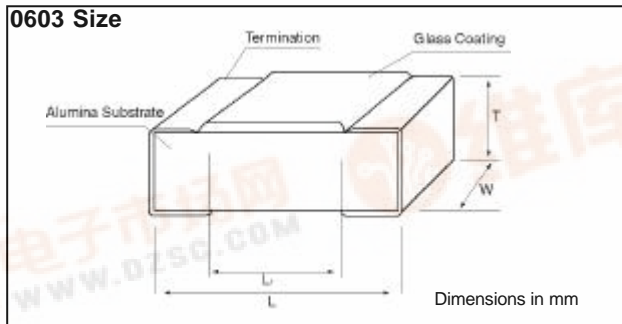


Diagram Dimensions

	L	W	T	L1
TCT3G	$1.6 \pm 0.15$	$0.80 \pm 0.15$	$0.50 \pm 0.10$	$1.20 \pm 0.20$

**Specifications:**

Dissipation Constant	1.5mW/°C
Thermal time constant	5 Seconds
Rated Power	1mW

Part Number	Resistance Value @ $25^\circ\text{C} \pm 5\%$	$\beta$ Value
TCT3GJ 103H3435	10K	$3435K \pm 3\%$
TCT3GJ 153H385	15K	$3850K \pm 3\%$
TCT3GJ 203H395	20K	$3950K \pm 3\%$
TCT3GJ 223H395	22K	$3950K \pm 3\%$
TCT3GJ 104H410	100K	$4100K \pm 3\%$
TCT3GJ 154H410	150K	$4100K \pm 3\%$

