

TOSHIBA CMOS DIGITAL INTEGRATED CIRCUIT SILICON MONOLITHIC

# TC4511BP, TC4511BF

## TC4511B BCD-TO-SEVEN SEGMENT LATCH / DECODER / DRIVER

TC4511B is decoder which converts the input of BCD code into the 7 segment display element driving signal and the output has complementary connection of NPN bipolar transistor and N-channel MOS FET. Therefore, not only capability of directly driving cathode common type LED, this has capability of driving various display elements with simple interface circuits.  $\overline{LT}$  input and  $\overline{BI}$  input are to force all the outputs to be "H" (illuminated) and "L" (not illuminated) respectively regardless of BCD input. As the latch controlled by common LE input is inserted in each of four input lines, static display of dynamic information can be achieved. When an invalid BCD input, "10" or higher is applied, all the outputs become "L" (not illuminated).

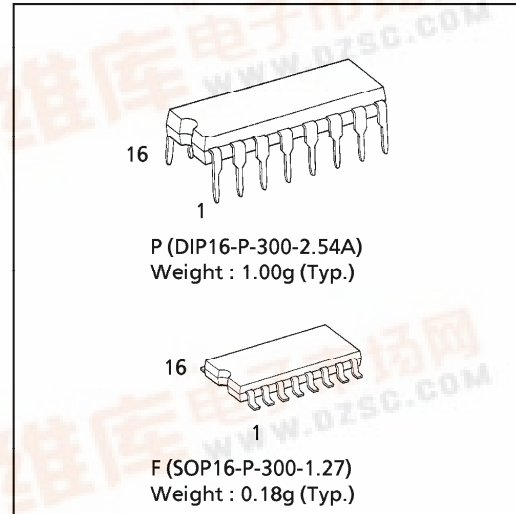
### MAXIMUM RATINGS

CHARACTERISTIC	SYMBOL	RATING	UNIT
DC Supply Voltage	$V_{DD}$	$V_{SS} - 0.5 \sim V_{SS} + 20$	V
Input Voltage	$V_{IN}$	$V_{SS} - 0.5 \sim V_{DD} + 0.5$	V
Output Voltage	$V_{OUT}$	$V_{SS} - 0.5 \sim V_{DD} + 0.5$	V
DC Input Current	$I_{IN}$	$\pm 10$	mA
Output High Current	$I_{OH}$	- 50	mA
Power Dissipation	$P_D$	300 (DIP) / 180 (SOIC)	mW
Operating Temperature Range	$T_{opr}$	- 40~85	°C
Storage Temperature Range	$T_{stg}$	- 65~150	°C

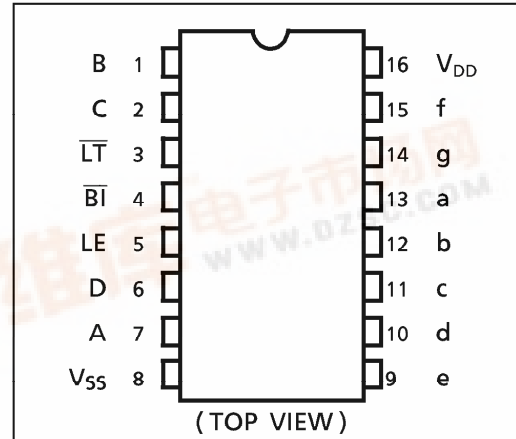
### TRUTH TABLE

INPUT							OUTPUT							DISPLAY MODE
LE	$\overline{BI}$	$\overline{LT}$	D	C	B	A	a	b	c	d	e	f	g	
*	*	L	*	*	*	*	H	H	H	H	H	H	H	8
*	L	H	*	*	*	*	L	L	L	L	L	L	L	BLANK
L	H	H	L	L	L	L	H	H	H	H	H	H	L	0
L	H	H	L	L	L	H	L	H	H	L	L	L	L	1
L	H	H	L	L	H	L	H	H	L	H	H	L	H	2
L	H	H	L	L	H	H	H	H	H	L	L	L	H	3
L	H	H	L	H	L	L	L	H	H	L	L	H	H	4
L	H	H	L	H	L	H	H	L	H	H	L	H	H	5
L	H	H	L	H	H	L	L	L	H	H	H	H	H	6
L	H	H	L	H	H	H	H	H	L	L	L	L	L	7
L	H	H	H	L	L	L	H	H	H	H	H	H	H	8
L	H	H	H	L	L	H	H	H	H	L	L	H	H	9
L	H	H	H	L	H	L	L	L	L	L	L	L	L	BLANK
L	H	H	H	L	H	H	L	L	L	L	L	L	L	BLANK
L	H	H	H	H	*	*	L	L	L	L	L	L	L	BLANK
H	H	H	*	*	*	*	△△							

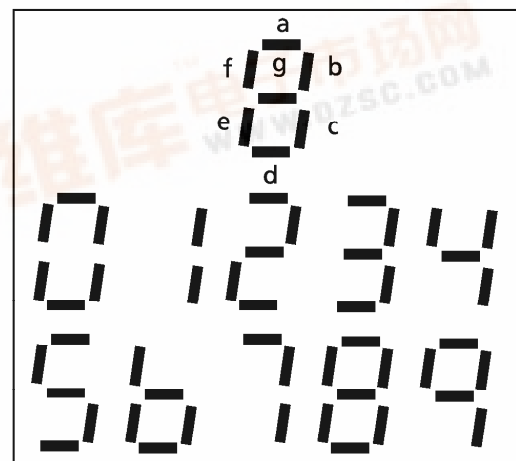
\* : DON'T CARE  
 △△ : DEPENDS UPON THE BCD CODE PREVIOUSLY APPLIED WHEN LE "L"



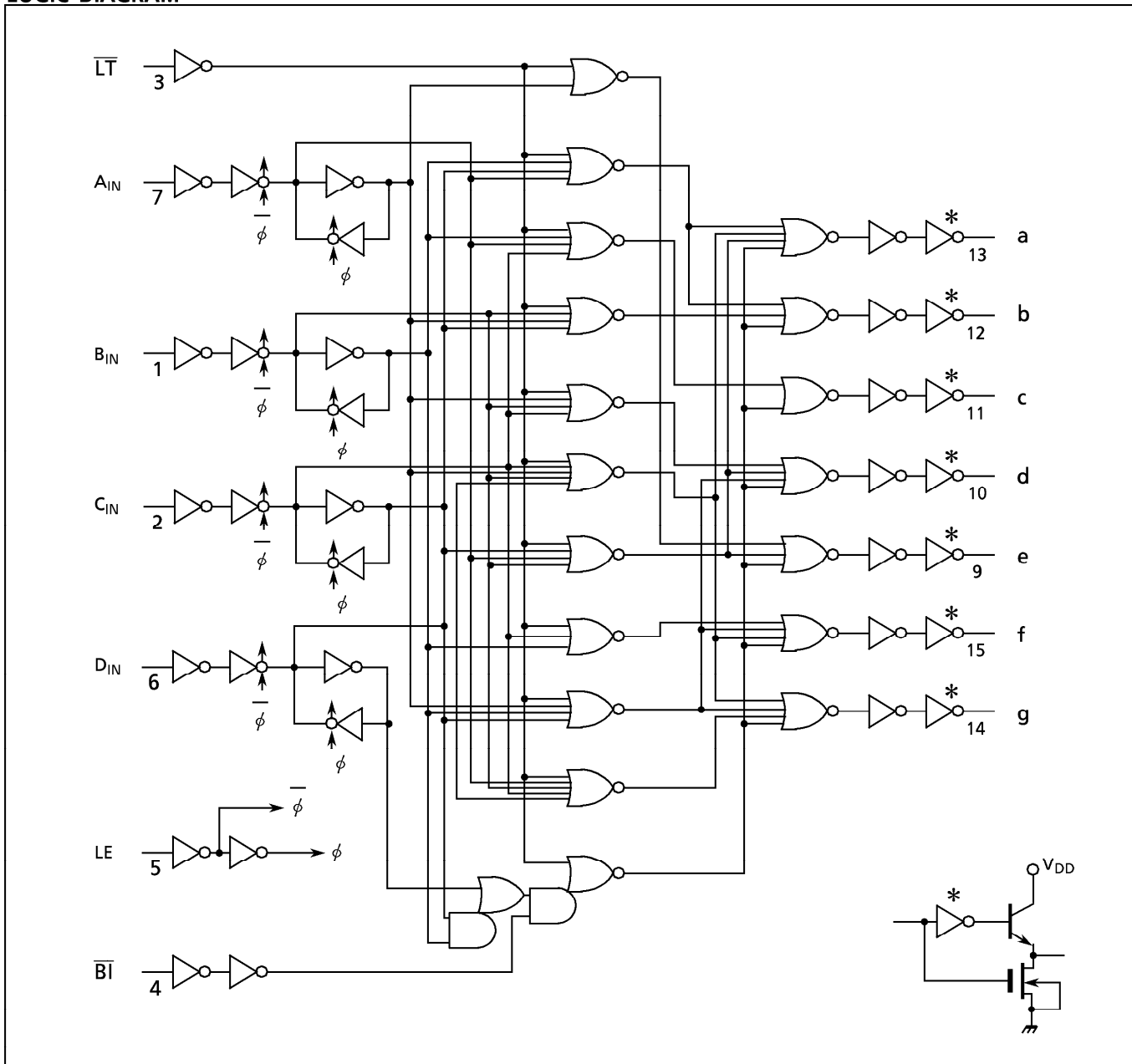
### PIN ASSIGNMENT



### DISPLAY



LOGIC DIAGRAM



961001EBA2'

- The products described in this document are subject to foreign exchange and foreign trade control laws.
- The information contained herein is presented only as a guide for the applications of our products. No responsibility is assumed by TOSHIBA CORPORATION for any infringements of intellectual property or other rights of the third parties which may result from its use. No license is granted by implication or otherwise under any intellectual property or other rights of TOSHIBA CORPORATION or others.
- The information contained herein is subject to change without notice.

**RECOMMENDED OPERATING CONDITIONS (V<sub>SS</sub> = 0V)**

CHARACTERISTIC	SYMBOL	TEST CONDITION	MIN.	TYP.	MAX.	UNITS
DC Supply Voltage	V <sub>DD</sub>		3	—	18	V
Input Voltage	V <sub>IN</sub>		0	—	V <sub>DD</sub>	V

**STATIC ELECTRICAL CHARACTERISTICS (V<sub>SS</sub> = 0V)**

CHARACTERISTIC	SYMBOL	TEST CONDITION	V <sub>DD</sub> (V)	-40°C		25°C			85°C		UNIT	
				MIN.	MAX.	MIN.	TYP.	MAX.	MIN.	MAX.		
High-Level Output Voltage	V <sub>OH</sub>	I <sub>OUT</sub>   < 1μA V <sub>IN</sub> = V <sub>SS</sub> , V <sub>DD</sub>	5	4.1	—	4.1	4.41	—	4.2	—	V	
			10	9.1	—	9.1	9.41	—	9.2	—		
			15	14.1	—	14.1	14.41	—	14.2	—		
Low-Level Output Voltage	V <sub>OL</sub>	I <sub>OUT</sub>   < 1μA V <sub>IN</sub> = V <sub>SS</sub> , V <sub>DD</sub>	5	—	0.05	—	0.00	0.05	—	0.05	V	
			10	—	0.05	—	0.00	0.05	—	0.05		
			15	—	0.05	—	0.00	0.05	—	0.05		
Output High Voltage	V <sub>OH</sub>	I <sub>OH</sub> = 0mA I <sub>OH</sub> = 10mA I <sub>OH</sub> = 20mA V <sub>IN</sub> = V <sub>DD</sub> , V <sub>SS</sub>	5	4.10	—	4.10	4.41	—	4.20	—	V	
				3.90	—	3.90	4.25	—	3.90	—		
				3.55	—	3.55	4.19	—	3.30	—		
		I <sub>OH</sub> = 0mA I <sub>OH</sub> = 10mA I <sub>OH</sub> = 20mA V <sub>IN</sub> = V <sub>DD</sub> , V <sub>SS</sub>	10	9.10	—	9.10	9.41	—	9.20	—		
				9.00	—	9.00	9.25	—	9.00	—		
				8.70	—	8.70	9.20	—	8.40	—		
		I <sub>OH</sub> = 0mA I <sub>OH</sub> = 10mA I <sub>OH</sub> = 20mA V <sub>IN</sub> = V <sub>DD</sub> , V <sub>SS</sub>	15	14.10	—	14.10	14.41	—	14.20	—		
				14.00	—	14.00	14.26	—	14.00	—		
				13.75	—	13.75	14.21	—	13.50	—		
Output Low Voltage	I <sub>OL</sub>	V <sub>OUT</sub> = 0.4V V <sub>OUT</sub> = 0.5V V <sub>OUT</sub> = 1.5V V <sub>IN</sub> = V <sub>DD</sub> , V <sub>SS</sub>	5	0.61	—	0.51	1.2	—	0.42	—	mA	
			10	1.5	—	1.3	3.2	—	1.1	—		
			15	4.0	—	3.4	12.0	—	2.8	—		
Input High Voltage	V <sub>IH</sub>	V <sub>OUT</sub> = 0.5V, 4.5V V <sub>OUT</sub> = 1.0V, 9.0V V <sub>OUT</sub> = 1.5V, 13.5V  I <sub>OUT</sub>   < 1μA	5	3.5	—	3.5	2.75	—	3.5	—	V	
			10	7.0	—	7.0	5.50	—	7.0	—		
			15	11.0	—	11.0	8.25	—	11.0	—		
Input Low Voltage	V <sub>IL</sub>	V <sub>OUT</sub> = 0.5V, 4.5V V <sub>OUT</sub> = 1.0V, 9.0V V <sub>OUT</sub> = 1.5V, 13.5V  I <sub>OUT</sub>   < 1μA	5	—	1.5	—	2.25	1.5	—	1.5	V	
			10	—	3.0	—	4.5	3.0	—	3.0		
			15	—	4.0	—	6.75	4.0	—	4.0		
Input Current	"H" Level	I <sub>IH</sub>	V <sub>IH</sub> = 18V	18	—	0.3	—	10 <sup>-5</sup>	0.3	—	1.0	μA
	"L" Level	I <sub>IL</sub>	V <sub>IL</sub> = 0V	18	—	-0.3	—	-10 <sup>-5</sup>	-0.3	—	-1.0	
Quiescent Supply Current	I <sub>DD</sub>	V <sub>IN</sub> = V <sub>SS</sub> , V <sub>DD</sub> *	5	—	5	—	0.005	5	—	150	μA	
			10	—	10	—	0.010	10	—	300		
			15	—	20	—	0.015	20	—	600		

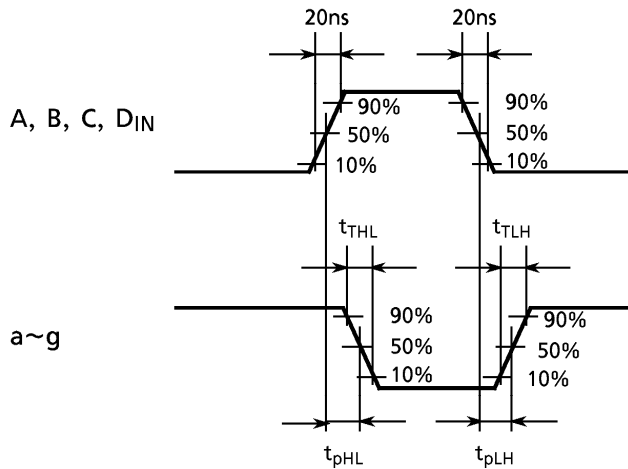
\* All valid input combinations.

## DYNAMIC ELECTRICAL CHARACTERISTICS (Ta = 25°C, Vss = 0V, CL = 50pF, RL = 10kΩ)

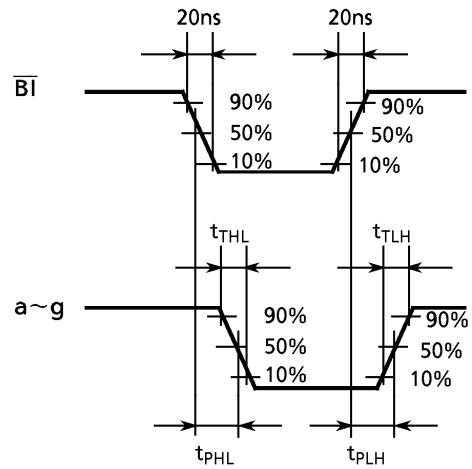
CHARACTERISTIC	SYMBOL	TEST CONDITION	V <sub>DD</sub> (V)	MIN.	TYP.	MAX.	UNIT
Output Transition Time (Low to High)	t <sub>TLH</sub>		5	—	25	80	ns
			10	—	15	60	
			15	—	15	50	
Output Transition Time (High to Low)	t <sub>THL</sub>		5	—	70	200	
			10	—	35	100	
			15	—	30	80	
Propagation Delay Time (DATA - OUT)	t <sub>pLH</sub>		5	—	200	1040	
			10	—	90	420	
			15	—	65	300	
Propagation Delay Time (DATA - OUT)	t <sub>pHL</sub>		5	—	230	1040	
			10	—	110	420	
			15	—	80	300	
Propagation Delay Time (B $\bar{I}$ - OUT)	t <sub>pLH</sub>		5	—	75	640	
			10	—	45	260	
			15	—	35	200	
Propagation Delay Time (B $\bar{I}$ - OUT)	t <sub>pHL</sub>		5	—	90	640	
			10	—	50	260	
			15	—	45	200	
Propagation Delay Time (L $\bar{T}$ - OUT)	t <sub>pLH</sub>		5	—	60	300	
			10	—	40	150	
			15	—	35	100	
Propagation Delay Time (L $\bar{T}$ - OUT)	t <sub>pHL</sub>		5	—	75	300	
			10	—	45	150	
			15	—	35	100	
Propagation Delay Time (LE - OUT)	t <sub>pLH</sub>		5	—	180	600	
			10	—	90	300	
			15	—	65	250	
Propagation Delay Time (LE - OUT)	t <sub>pHL</sub>		5	—	230	600	
			10	—	110	300	
			15	—	85	250	
Min. Pulse Time (LE)	t <sub>wL</sub>		5	—	40	300	
			10	—	20	150	
			15	—	15	120	
Min. Set - up Time (DATA - LE)	t <sub>su</sub>		5	—	35	150	
			10	—	15	70	
			15	—	10	40	
Min. Hold Time (DATA - LE)	t <sub>h</sub>		5	—	—	0	
			10	—	—	0	
			15	—	—	0	
Input Capacitance	C <sub>IN</sub>			—	5	7.5	pF

WAVEFORM FOR MEASUREMENT OF DYNAMIC CHARACTERISTICS

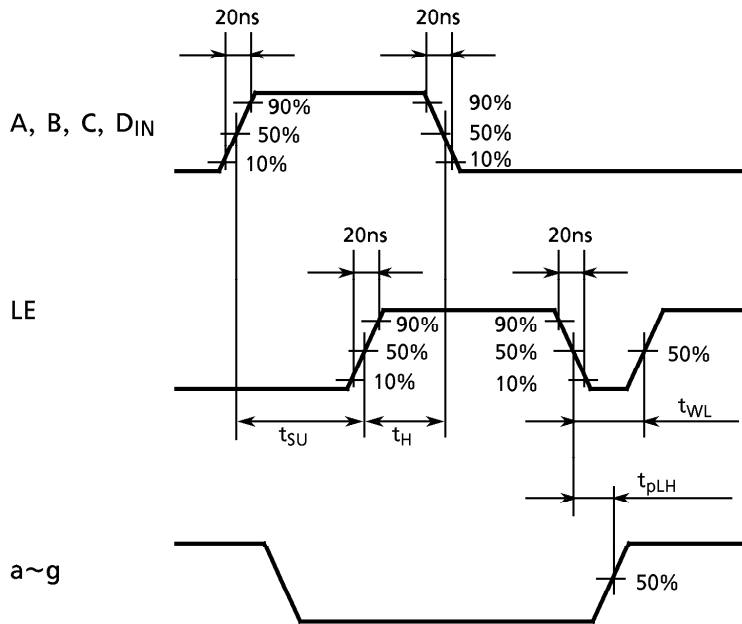
WAVEFORM 1



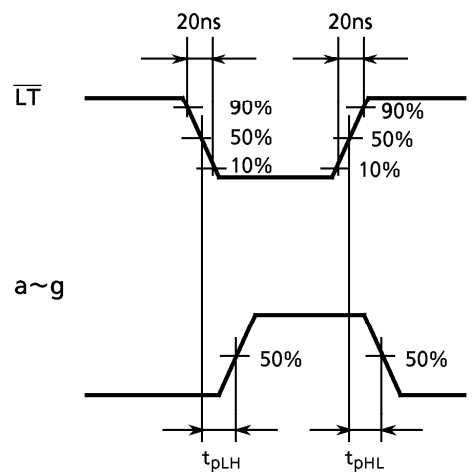
WAVEFORM 2



WAVEFORM 3

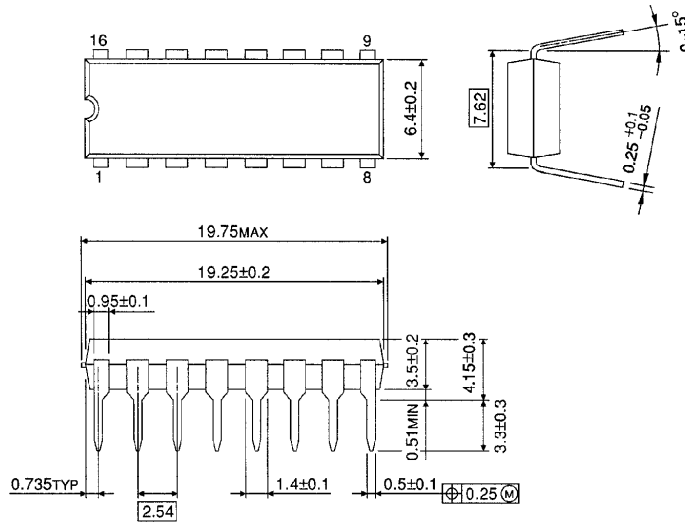


WAVEFORM 4



**DIP 16PIN OUTLINE DRAWING (DIP16-P-300-2.54A)**

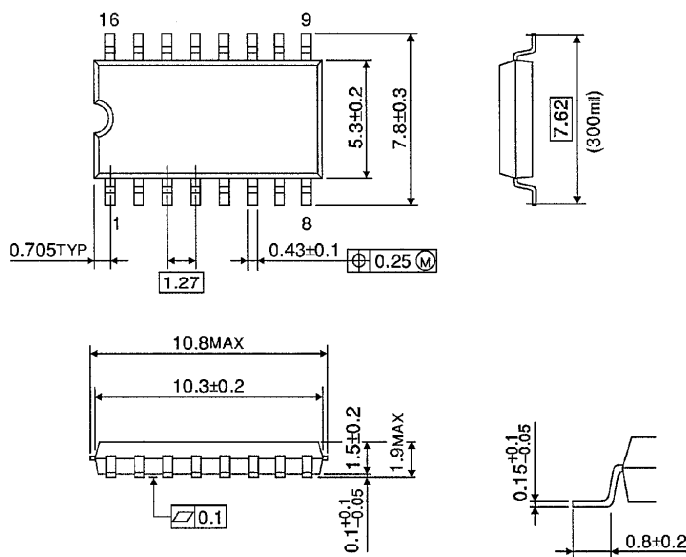
Unit in mm



Weight : 1.00g (Typ.)

**SOP 16PIN (200mil BODY) OUTLINE DRAWING (SOP16-P-300-1.27)**

Unit in mm



Weight : 0.18g (Typ.)