

TOSHIBA

TC6371AF Specification

Rev. 1.8

02/01/22

PCI to SD Memory Card / SmartMedia™
Interface Controller

TC6371AF

Outline

Rev. 1.8 2002-01-22

TOSHIBA CORPORATION

Revision history

TITLE: TC6371AF Specification

REV NO.	DATE	CONTENTS	Parts	REVISED	APP'D
1.00	'00-09-08	Issued		S.Ueta	T.Takada
1.01	'01-03-26	Mentioned '5.2.PCI Interface DC Characteristics'. Mentioned '5.3.1PCI clock AC characteristics'.	Page 34 Page 40	T.Murakami	T.Takada
1.02	'01-04-02	Symbol 'Topr' is raised to 70°C from 60°C Ta is changed to '0-70°C' from '0-60°C'	Page 33 Page 35-52	S.Ueta	T.Takada
1.03	'01-04-18	Recommended resistance of SDCD3 line is changed to 100 KΩPull-up from 510 KΩPull-down. Added 4.11 item	Page 32 Page 33	S.Ueta	T.Takada
1.04	'01-04-25	Low active signals are unified as #xxxx. (ex. SDCD#→#SDCD) Modified recommended resistance of SDCD3-0 and SDCMD case of MMC not supported. (100KΩ→47KΩ)	Page 32	S.Ueta	T.Takada
1.1	'01-05-17	Modified a comment of [4.7 SUSPEND State]. Modified recommended resistance of SDCD2-0 and SDCMD case of MMC not supported. (47KΩ→100KΩ) Added Current Dissipation Characteristics	Page 26 Page 32 Page 41	S.Ueta	T.Takada
1.2	'01-07-20	Added [4.12 Processing Unused Interface External Pins]. Modified recommended resistance of #SDCD and SDWP. (100KΩ→10KΩ)	Page 34-35 Page 32	S.Ueta	T.Takada
1.3	'01-08-17	Added [6 Package outline].	Page 56	S.Ueta	T.Takada
1.4	'01-08-31	Added SmartMedia DC spec. for #SMLOCK, #SMEJCT and #SMLED.	Page 38	S.Ueta	T.Takada
1.5	'01-09-03	To be slimed files.		S.Ueta	T.Takada
1.6	'01-10-02	Added the comment regarding Subsystem Vendor ID and Subsystem Device ID.	Page17,19	S.Ueta	T.Takada
1.61	'01-11-09	Corrected the written.	Page17,19 (red letters)	S.Ueta	T.Takada
1.62	'01-11-26	Corrected the written.	Page27 (red letters)	S.Ueta	T.Takada
1.7	'02-01-09	Regarding serial rom I/F, specified that only 4K bits serial rom be supported. Added #SMLED signal specification.	Page5 (red letters) Page36	S.Ueta	T.Takada
1.8	'02-01-22	Modified the explanation of CLK32 signal. Added GPIO interface specification.	Page21 (red letters) Page36	S.Ueta	T.Takada

Contents

1	Outline	5
1.1	Chip Specifications	5
1.2	Low power dissipation	5
1.3	General Specifications	5
2	Block diagram	6
3	Signals	7
3.1	Pin Assignments	7
3.2	Pin Signals	8
3.3	Power Supply, GND, and NC Pins (26)	14
3.4	Interface Pin Summary	14
4	Description of Functions	15
4.1	PCI Device Interface	15
4.1.1	Resource Space	15
4.2	Register Map	17
4.2.1	SD Host Controller Configuration Register	17
4.2.2	SD Control Register	18
4.2.3	SmartMedia™ Host Controller Configuration Register	19
4.2.4	SmartMedia™ Control Register	20
4.3	Clock / Reset	21
4.3.1	Clocks	21
4.3.2	Reset	21
4.4	Detection of Insertion/Removal of SD Card/ SmartMedia™	22
4.4.1	Detection of Insertion/Removal of SD Card	22
4.4.2	Detection of Insertion/Removal of SmartMedia™	22
4.5	Interrupts	23
4.5.1	Interrupt Sources by SD Card	23
4.5.2	Interrupt Sources by SmartMedia™	23
4.6	Card Slot Power Supply Control	24
4.6.1	SD Card Slot Power Supply Control	24
4.6.2	SmartMedia™ Slot Power Supply Control	24
4.7	Suspend State	25
4.8	Power Management	26
4.8.1	PME Register Structure	26
4.8.2	PME State	26
4.8.3	PME Context Register	27
4.8.4	#PME Generation	28
4.8.5	#PME Pin	28
4.8.6	#PWRST	29
4.8.7	Vaux in D3cold State	30
4.9	Serial ROM Interface	31
4.10	Pulled-Up/Pulled-Down Resistors	32
4.10.1	SD Card Interface	32
4.10.2	SmartMedia™ Interface	32
4.11	Connection example of SD Card/SmartMedia™ socket	33

4.12	Processing Unused Interface External Pins	34
4.12.1	Processing Pins (SmartMedia™ Interface unsupported)	34
4.12.2	Processing Pins (SD Interface unsupported)	35
4.13	#SMLED signal	36
4.14	GPIO interface specification	36
5	Electrical Characteristics	37
5.1	Absolute Maximum Ratings	37
5.2	DC Characteristics	37
5.2.1	Power Supply Voltage: Recommended Conditions	37
5.2.2	PCI Interface DC Characteristics	38
5.2.3	SmartMedia™ Interface DC Characteristics	39
5.2.4	SmartMedia™ Power Supply Control DC Characteristics	39
5.2.5	SD Card Interface Pin DC Characteristics	40
5.2.6	SD Card Power Supply Control DC Characteristics	40
5.2.7	System Interface Pin (5 V-Tolerant) DC Characteristics	41
5.2.8	GPIO Interface Pin DC Characteristics	42
5.2.9	TEST Pin DC Characteristics	42
5.2.10	Current Dissipation Characteristics	43
5.3	AC Characteristics	44
5.3.1	PCI Interface Signal AC Characteristics	44
5.3.2	SmartMedia™ Interface Signal AC Characteristics	48
5.3.3	SD Card Interface Signal AC Characteristics	55
5.3.4	System Interface Signal AC Characteristics	56
6	Package outline	57

1 Outline

The TC6371AF is an SD memory card/SmartMedia™ controller LSI with a 32-bit PCI bus interface. This product conforms to SD memory card physical layer specifications as well as to SmartMedia™ electrical and physical format specifications.

The TC6371AF can also be used with all power supplies for memory card interfaces. When the memory card is inserted, TC6371AF automatically detects the card type and the power supply in use. In addition to supporting a CLKRUN function and advanced configuration power interface (ACPI), the TC6371AF supports a PCI power management-compliant PME, giving the product fully developed power management functions that allow it to minimize the system's power dissipation.

With such features as subsystem ID and subsystem vendor ID supplied from external serial ROM, the TC6371AF can be used as a PCI card or CardBus card LSI.

1.1 Chip Specifications

- 0.35- μ m CMOS process
- Number of gates: 80,000 approx.
- 0.4-mm pitch, 128-pin QFP package (LQFP128-P-1414B)

1.2 Low power dissipation

- Conforms to PCI power management specifications (Supports #PME *)
- Supports CLOCKRUN (mobile PC/PCI)
- Internal gate clock design

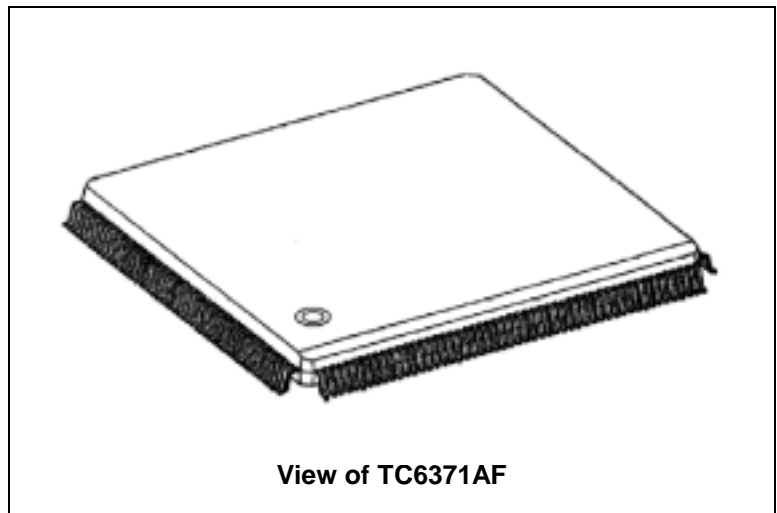
1.3 General Specifications

- Conforms to PCI power management specification revision 1.1
- Conforms to PCI local bus specification revision 2.2 *
- Supports remote wakeup feature (#PME-compliant) **
- Supports PCI interrupts (INT)
- Supports PCI CLKRUN
- Supports suspend state
- Supports Plug & Play
- Operating frequency: PCI (33 MHz max)
- Supports LSI MIC2563 which controls power supply
- Supports subsystem ID and subsystem vendor ID from 4k bits EEPROM (3-line serial ROM interface) (Only 4K bits EEPROM supports)
- Supports 3.3-V PCI interface
- Conforms to SD memory card physical layer specifications (ver. 1.0)
 - Operating frequency 16 MHz max
 - Offers Multimedia card read/write
 - Supports 3.3 V
 - Offers multi-block write/read
- Conforms to SmartMedia™ electrical specifications (ver. 1.20) and physical format specifications (ver. 1.20), supporting:
 - Supports 3.3-V SmartMedia™ (5.0 V not supported)
 - Supports hardware ECC

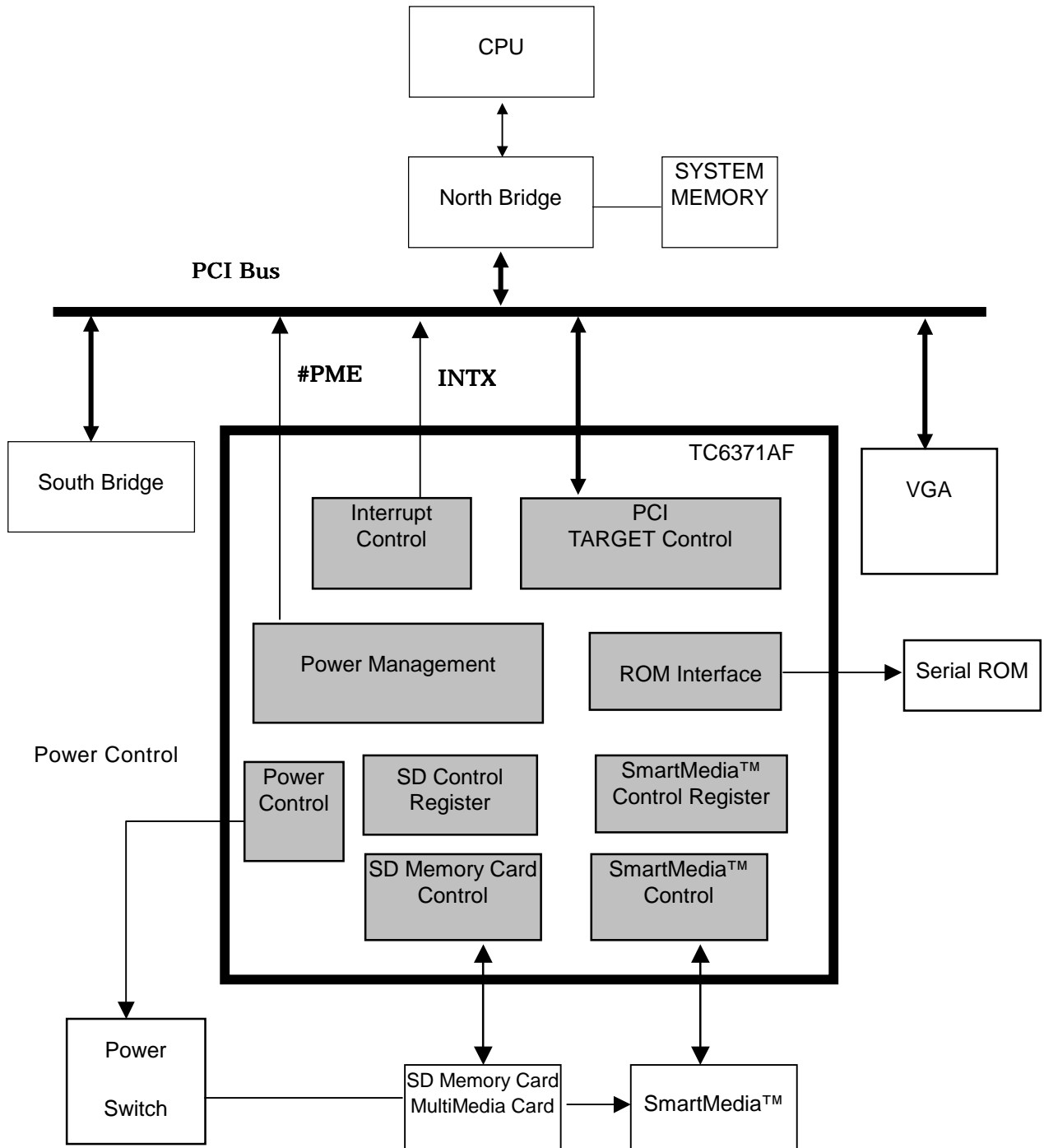
* The minimum input voltage level of "PCICLK" "#PCIRST" shall not exceed 0.7 times of Vcc. $V_{ih}(\min) = 0.7 * V_{cc}$

**As of January, 2002, the SD/MMC/SmartMedia™ driver does not perform any functions by enabling #PME.

SmartMedia™ is a registered trademark of Toshiba Corporation.



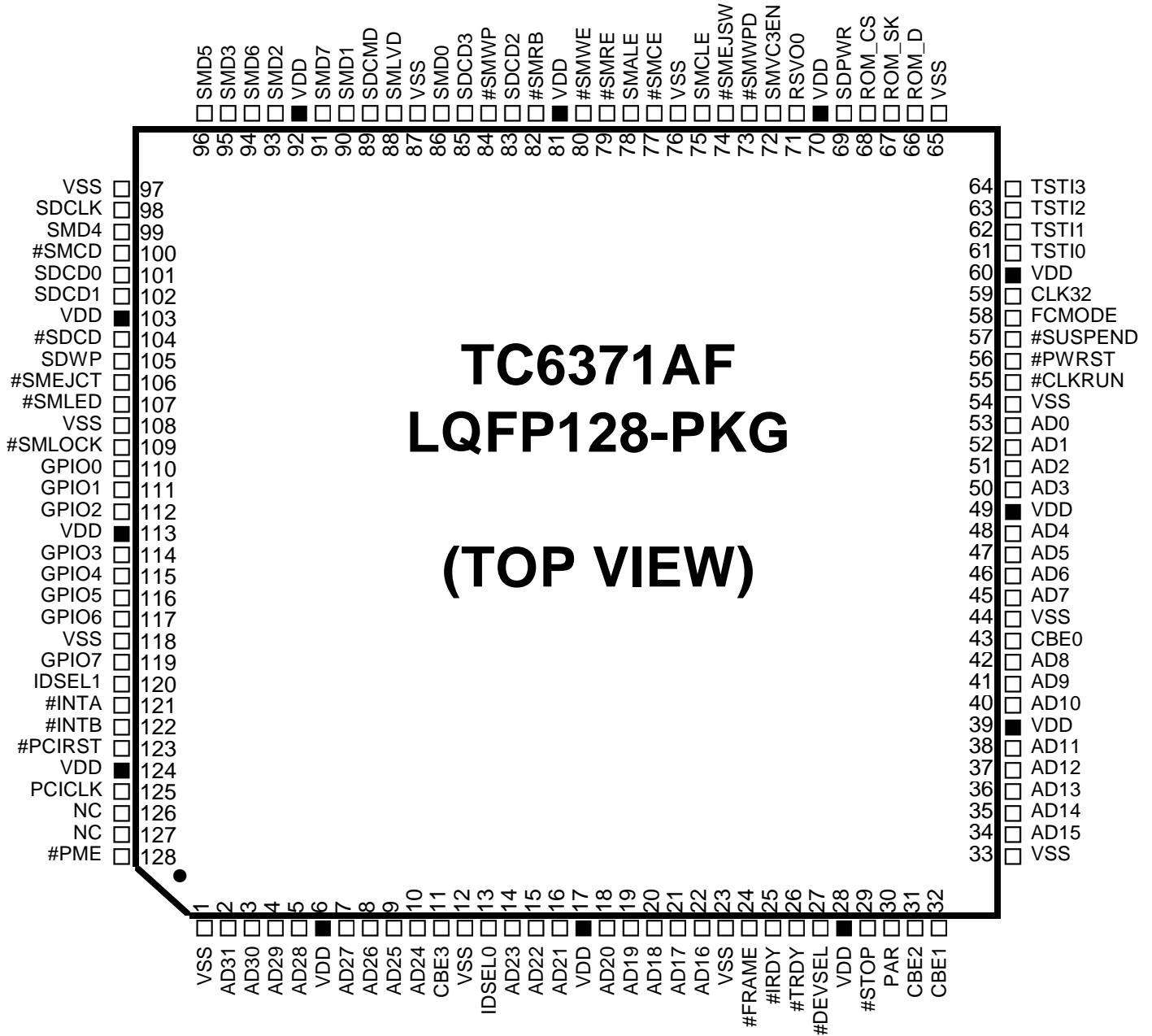
2 Block diagram



3 Signals

3.1 Pin Assignments

QFP128 Matrix Diagram



3.2 Pin Signals

PCI Interface (50-Pin)

NAME	Pin	IO	VCC (V)	FUNCTION
AD31	2	IO	3.3	PCI address/data bus
AD30	3			
AD29	4			
AD28	5			
AD27	7			
AD26	8			
AD25	9			
AD24	10			
AD23	14			
AD22	15			
AD21	16			
AD20	18			
AD19	19			
AD18	20			
AD17	21			
AD16	22			
AD15	34			
AD14	35			
AD13	36			
AD12	37			
AD11	38			
AD10	40			
AD9	41			
AD8	42			
AD7	45			
AD6	46			
AD5	47			
AD4	48			
AD3	50			
AD2	51			
AD1	52			
AD0	53			
#CBE3	11	IO	3.3	PCI bus command/byte enable. Specifies bus commands at the PCI cycle address phase. Specifies the byte enable that indicates which byte lane of the 32 bits to use for sending data at the data phase.
#CBE2	31			
#CBE1	32			
#CBE0	43			
PAR	30	O	3.3	PCI bus parity. Parity bit for even-number parity checks on the PCI address/data bus and bus command line.

Pin Signals (Continued)

PCI Interface (Continued)

NAME	Pin	IO	VCC (V)	FUNCTION
#FRAME	24	I	3.3	PCI cycle frame. Driven by the initiator, this signal indicates that the bus cycle is in progress. When the signal is asserted, address and bus command output starts. When de-asserted, the signal indicates that the next data transfer phase is the final data transfer.
#IRDY	25	I	3.3	Enables PCI initiator. Indicates that the initiator is ready for data transfer. The R/W data are transferred when signal asserted.
#TRDY	26	O	3.3	Enables PCI target. Indicates that the target is ready for data transfer. The R/W data are transferred when signal asserted.
#STOP	29	O	3.3	Terminates the PCI cycle. The target uses this signal to ask the initiator to terminate processing that is currently in progress. Supports three types of termination: retry/disconnect/target abort.
IDSEL0	13	I	3.3	Selects the PCI bus initialization device (ID). Asserted to specify the TC6371AF as the target device during a configuration access. This signal is used for SD card controller functions. When the FCMODE pin is set to H, this signal is used for the SD card/SmartMedia™ controller multifunction device feature.
IDSEL1	120	I	3.3	Selects the PCI bus initialization device (ID). Asserted when the TC6371AF is specified as the target device during configuration access. This signal is used for SmartMedia™ controller functions. When the FCMODE pin is set to H, the TC6371AF operates as a multifunction device using IDSEL0 and therefore this signal does not function. (In Multifunction mode, pull up this pin.)
#CLKRUN	55	IO	3.3	Runs the PCI clock. Can request a stop or slowdown of the PCI clock.
#DEVSEL	27	O	3.3	Selects the PCI device. Asserted by the TC6371AF in response to bus access.
PCICLK	125	I	3.3	PCI bus clock. Inputs a 33-MHz clock. All processing on the PCI bus is on the PCICLK rising edge.
#PCIRST	123	I	3.3	Resets PCI bus. Asserted when power is turned on and or when system has been reset.
#INTA	121	O (OD) *1	3.3	PCI interrupt INTA.
#INTB	122	O (OD) *1	3.3	PCI interrupt INTB.
#PME	128	O (OD) *1	3.3	#PME interrupt signal

*1: Level cannot be converted.

Pin Signals (Continued)**SD Card Interface (8 pins)**

NAME	Pin	IO	VCC (V)	FUNCTION
SDCD3	85	IO	3.3	SD card data bus
SDCD2	83			
SDCD1	102			
SDCD0	101			
SDCMD	89	IO	3.3	SD command
SDCLK	98	O	3.3	SD card clock
#SDCD	104	I	3.3	SD card detection
SDWP	105	I	3.3	SD card write-protect. When H, SD card write-protected.

SD Card Power Supply Controller (One pin)

NAME	Pin	IO	VCC (V)	FUNCTION
SDPWR	69	O	3.3	Controls SD card power supply. 3.3-V enable signal.

Pin Signals (Continued)**SmartMedia™ Interface (22 pins)**

NAME	Pin	IO	VCC (V)	FUNCTION
SMD7	91	IO	3.3	Data
SMD6	94			
SMD5	96			
SMD4	99			
SMD3	95			
SMD2	93			
SMD1	90			
SMD0	86			
SMCLE	75	O (3state)		Enables the command latch.
SMALE	78	O (3state)		Enables the address latch.
#SMCE	77	O (3state)		Enables the chip.
#SMWE	80	O (3state)		Enables a write.
#SMRE	79	O (3state)		Enables a read.
#SMWP	84	O (3state)		Protects against write.
#SMRB	82	I		Busy
#SMCD	100	I		Detects card.
SMLVD	88	I		Detects low voltage.
#SMWPD	73	I		Write-protection seal When L, a write-protected media is inserted.
#SMEJSW	74	I		Ejects request. When H, a media is inserted. When L, no media is inserted. Changes detection control to one where L indicates a media is inserted by setting bit 7 of the SmartMedia™ host controller's configuration register 63h.
#SMLED	107	O (OD) *1		Turns on the LED.
#SMLOCK	109	O (OD) *1		Lock mode
#SMEJCT	106	O (OD) *1		Eject response

*1: Level cannot be converted.

SmartMedia™ Power Supply Control (2 pins)

NAME	Pin	IO	VCC (V)	FUNCTION
SMVC3EN	72	O	3.3	Parallel power supply control. VCC 3.3 V enable signal.
RSVO0	71	O	3.3	Leave pin open.

Pin Signals (Continued)**System Interface (4 pins)**

NAME	Pin	IO	VCC (V)	FUNCTION
CLK32	59	I	3.3	Detects card or allow interruptions when PCICLK stops.
#PWRST	56	I	3.3	Power-on reset signal input.
#SUSPEND	57	I	3.3	When #SUSPEND is Low, prevents throughput of data input from the SD card and SmartMedia™. Control signals output from TC6371AF are controlled at non-active level.
FCMODE	58	I	3.3	Function mode signal. When the FCMODE pin is set to L, the TC6371AF operates as a single-function PCI device. (IDSEL0 is used for the SD card controller functions, IDSEL1 for the SmartMedia™ functions.) When the FCMODE pin is set to H, TC6371AF operates as a multifunction device. (Only IDSEL0 is valid. FUNCTION0 controls the SD card controller functions; FUNCTION1 controls the SmartMedia™ controller functions.)

Serial ROM Interface (3 pins)

NAME	Pin	IO	VCC (V)	FUNCTION
ROM_CS	68	O	3.3	Serial ROM interface: Chip selection Connect to serial ROM chip select (CS) pin. Set TSTI[3-0] to be "0010" when the serial ROM interface applied. Leave the pin open when the serial ROM interface not applied,.
ROM_SK	67	O	3.3	Serial ROM interface: Clock Connect to serial ROM clock pin (SK). Leave the pin open when the serial ROM interface not applied.
ROM_D	66	IO	3.3	Serial ROM interface: Data Connect to the serial ROM data input/output pin. Pull up the pin with a 100-kΩ resistor when the serial ROM interface not applied.

GPIO Interface (8 pins)

NAME	Pin	IO	VCC (V)	FUNCTION
GPIO0	110	IO	3.3	General-purpose port 0. Pull up this pin.
GPIO1	111	IO	3.3	General-purpose port 1. Pull up this pin.
GPIO2	112	IO	3.3	General-purpose port 2. Set to Low when 8-bit ROM selected or set to High when 16-bit ROM selected in ROM interface mode. Pull up this pin .when the serial ROM interface is not applied,
GPIO3	114	IO	3.3	General-purpose port 3. Pull up this pin.
GPIO4	115	I	3.3	General-purpose port 4. Set to Low.
GPIO5	116	I	3.3	General-purpose port 5. Set to High.
GPIO6	117	I	3.3	General-purpose port 6. Set to Low.
GPIO7	119	I	3.3	General-purpose port 7. Set to Low.

Pin Signals (Continued)**Test Pins (4 pins)**

NAME	Pin	IO	VCC (V)	FUNCTION
TSTI0	61	I	3.3	Test mode signals 3, 2, 1, 0 Used in Test mode. Set TSTI[3-0] to "0000" in normal operating mode. Set TSTI[3-0] to "0010" when using the serial ROM interface.
TSTI1	62			
TSTI2	63			
TSTI3	64			

3.3 Power Supply, GND, and NC Pins (26)

NAME	Pin	FUNCTION
VSS	1, 12, 23, 33, 44, 54, 65, 76, 87, 97, 108, 118	GND
VDD	6, 17, 28, 39, 49, 60, 70, 81, 92, 103, 113, 124	3.3V
NC	126, 127	Not connected.

3.4 Interface Pin Summary

Interface	Number of pins	Remarks
PCI	50	
SD card	8	
SD card power supply control	1	
SmartMedia™	22	
SmartMedia™ power supply control	2	
System	19	System interface, Serial ROM interface, GPIO interface, TEST pins
Sub total	103	
Power supply	12	
GND	12	
Not connected (NC)	2	Leave open.
Total	128	

4 Description of Functions

4.1 PCI Device Interface

- Address decode timing Medium
- Delayed transaction Supported
- LOCK# Not supported
- PERR#, SERR# Not supported
- Resource space

4.1.1 Resource Space

The TC6371AF has the following resource space:

- SD host controller configuration register space
- SD control register space
- SmartMedia™ host controller configuration register space
- SmartMedia™ control register space

SD host controller /SmartMedia™ host controller configuration register space

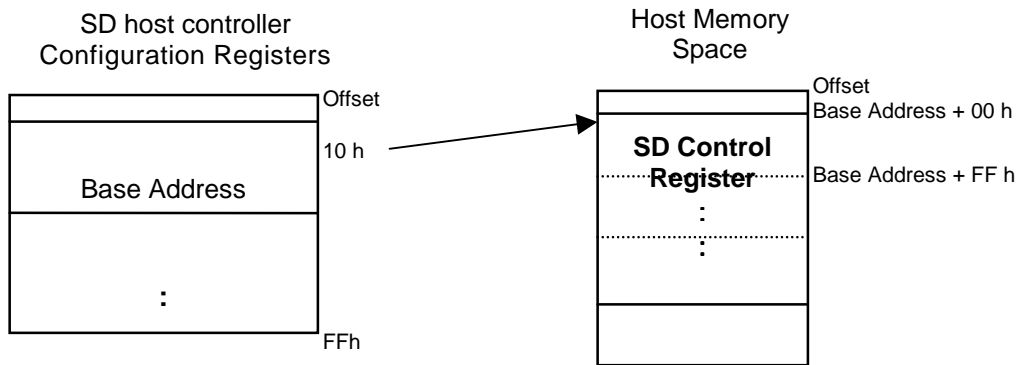
The configuration space of the host controllers is set by external pins IDSEL0, IDSEL1, and FCMODE.

FCMODE pin	SD host controller configuration register space	SmartMedia™ host controller configuration register space
0 Single-function mode	Determined by IDSEL0 Header-type 00h	Determined by IDSEL1 Header-type 00h
1 Multifunction mode	Determined by IDSEL0 FUNCTION No. 0 Header-type 80h IDSEL1 pulled up	Determined by IDSEL0 FUNCTION No. 1 Header-type 80h IDSEL1 pulled up

Note: When using only either the SD host controller function or the SmartMedia™ host controller function in systems using the TC6371AF, set Single-Function mode and mask the configuration space of the host controller you don't need.

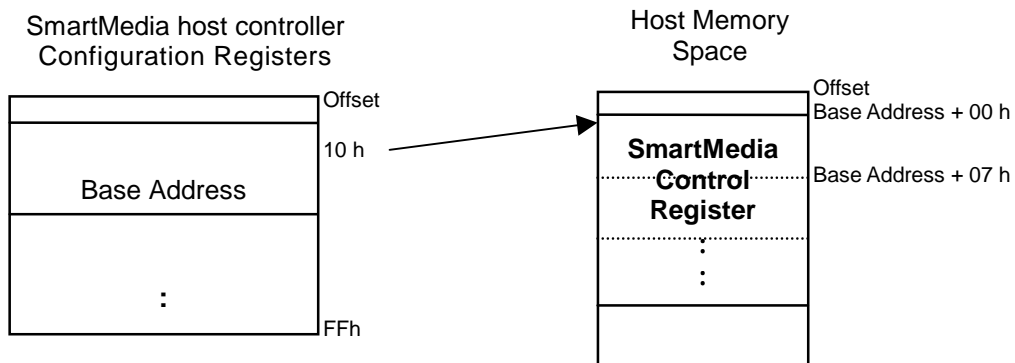
- SD Control Register Space

Use the base address register (config offset: 10h) of the SD host controller's configuration register for accessing the resources in the SD control register space. This allows you to set the SD control register space to any memory space. However, the SD control register space cannot be set to I/O resource space.



- SmartMedia™ Control Register Space

Use the base address register (config offset: 10h) of the SmartMedia™ host controller's configuration register for accessing the resources in the SmartMedia™ control register space. This allows you to set SmartMedia™ control register space to any memory or I/O space.



4.2 Register Map

The TC6371AF incorporates an SD host controller registers and a SmartMedia™ host controller registers.

- SD host controller configuration register
- SD control register
- SmartMedia™ host controller configuration register
- SmartMedia™ control register

4.2.1 SD Host Controller Configuration Register

31	23	15	07	00	Port
Device ID (0803h)		Vendor ID (1179h)			00h
Status (0210h)		Command (0000h)			04h
Class Code (088000h)			Revision ID (02h)		08h
Header Type		Cache Line Size			0Ch
SD Card Register Base Address					10h
					14h-27h
					CISPT
					28h
Subsystem Device ID (0001h) *1		Subsystem Vendor ID (1179h) *1			2Ch
					30h
					Capability Pointer
					34h
					38h
					Interrupt Pin
					Interrupt Line
					3Ch
SD Clock Mode		PCI Clock Control		Gated Clock Control	40h
					Pin Status
					*2 Power Control
					48h
Card Detect Reset		*2 Card Detect Mode			4Ch
					50h-7Fh
Power Management Capabilities (PMC)		Next Item Ptr		Capability ID	80h
Data	PMCSR PCI to PCI Bridge Support (PMCSR_BSE)	Power Management Control/Status (PMCSR)			84h
					*2 PME Trigger Enable
					88h
					8Ch-9Fh
*2 CIS					A0h-EFh
					F0h-F7h
					TEST
					F8h
Single Function	*2 PM Write Protect		Write Protect		FCh

*1:Regarding Subsystem Vendor ID and Subsystem Device ID, the default values of these register are The TOSHIBA's ID. In the case of using TC6371AF, please set these register to your ID. Please set your ID by BIOS as followings.

- (1) Set 01h to Write Protect Register(Config.FCh).
- (2) Set your ID to Subsystem Vendor ID and Subsystem Device ID Register.
- (3) Set 00h to Write Protect Register(Config.FCh).

*2: PME context register

4.2.2 SD Control Register

Offset	15-08 bit	07-00 bit	Offset	15-08 bit	07-00 bit
02h		SD_PORT	00h		SD_CMD
06h		SD_ARG1	04h		SD_ARG0
0Ah		SD_LENGTH	08h		SD_STOP
0Eh		SD_RSP1	0Ch		SD_RSP0
12h		SD_RSP3	10h		SD_RSP2
16h		SD_RSP5	14h		SD_RSP4
1Ah		SD_RSP7	18h		SD_RSP6
1Eh		SD_INFO2	1Ch		SD_INFO
22h		SD_INFO2_MASK	20h		SD_INFO_MASK
26h		SD_WIDTH	24h		SD_CLK
2Ah		---	28h		SD_OPTION
2Eh		---	2Ch		---
32h		SD_BUF1	30h		SD_BUF0
36h		---	34h		---
3Ah		---	38h		---
3Eh		---	3Ch		---
42h		---	40h		---
46h		---	44h		---
4Ah		---	48h		---
4Eh		---	4Ch		---
52h		---	50h		---
56h		---	54h		---
5Ah		---	58h		---
5Eh		---	5Ch		---
62h		---	60h		---
		---			---
7Eh		---	7Ch		---
82h		---	80h		---
86h		---	84h		---
8Ah		---	88h		---
8Eh		---	8Ch		---
92h		---	90h		---
96h		---	94h		---
9Ah		---	98h		---
9Eh		---	9Ch		---
A2h		---	A0h		---
A6h		---	A4h		---
AAh		---	A8h		---
A Eh		---	ACh		---
B2h		---	B0h		---
B6h		---	B4h		---
BAh		---	B8h		---
BEh		---	BCh		---
C2h		---	C0h		---
		---			---
DEh		---	DCh		---
E2h		CORE_REV	E0h		SOFT_RST
E6h		BUF_ADR	E4h		---
EAh		---	E8h		Resp_Header
EEh		---	ECh		---
F2h		---	F0h		---
F6h		---	F4h		---
FAh		---	F8h		---
FEh		Revision	FCh		---

4.2.3 SmartMedia™ Host Controller Configuration Register

31	23	15	07	00	Port
Device ID (0804h)		Vendor ID (1179h)			00h
Status (0490h)		Command (0000h)			04h
Class Code (088000h)			Revision ID (02h)		08h
Header Type					0Ch
SmartMedia™ Controller Register Base Address					10h
					14h-27h
CIS Pointer					28h
Subsystem Device ID(0001h)		Subsystem Vendor ID(1179h)			2Ch
					30h
					34h
					38h
		Interrupt Pin		Interrupt Line	3Ch
					40h-47h
		*2 Event Control	*2 PME Enable	*2 INT Enable	48h
					4Ch
					50h-57h
*2 Debug					58h
					5Ch-5Fh
*2 SmartMedia™ Detect Control	*2 SmartMedia™ Power Supply Control			*2 SmartMedia™ Transaction Control	60h
					64h-7Fh
*2 Power Management Capabilities (PMC)		*2 Next Item Ptr		*2 Capability ID	80h
*2 Data	*2 PMCSR PCI to PCI Bridge Support (PMCSR_BSE)	*2 Power Management Control/Status (PMCSR)			84h
					88h-9Fh
*2 CIS					A0h-EFh
*2 ROM Control	*2 ROM Index Port	*2 ROM Data Port			F0h
					F4h-FBh
*2 Monitor Select				*2 Configuration Control	FCh

*1:Regarding Subsystem Vendor ID and Subsystem Device ID, the default values of these register are The TOSHIBA's ID. In the case of using TC6371AF, please set these register to your ID. Please set your ID by BIOS as followings.

- (1) Set 01h to Configuration Control Register(Config.FCh).
- (2) Set your ID to Subsystem Vendor ID and Subsystem Device ID Register.
- (3) Set 00h to Configuration Control Register(Config.FCh).

*2: PME context register

4.2.4 SmartMedia™ Control Register

Config-60h bit4=1	Config-60h bit4=0	Register name	R/W
Offset1	Offset2		
00h	03h-00h	Data Register	RW
01h	-	Reserved	-
02h(Write)	04h(Read/Write)	*Mode Register	W(R/W)
02h(Read)	05h	*Status Register	R
04h	06h	*Interrupt Status Register	R
06h	07h	*Interrupt Mask Register	RW
03h, 05h, 07h	-	Reserved	-

* PME context register

The offset of this register set varies according to the status of the bit that controls the SmartMedia™ control register's High-Speed mode (config 60h bit 4). (Setting bit 4 = 0 enables 32/16-bit access to the data register.)

4.3 Clock / Reset

4.3.1 Clocks

The TC6371AF has two pins for input clocks: PCICLK and CLK32.

- (1) PCICLK: PCI clock input (33 MHz max)
PCI interface and internal operation reference clock.
- (2) CLK32: 32-kHz clock input

Used as detecting insertion and removal of SD card and SmartMedia and an interrupt detection clock and for event detection in D3 state. The interrupt signal, implied insertion or detachment, shall be generated synchronous to this clock signal. Note that if CLK32 is stopped, the interrupt detector does not operate while TC6371AF is suspended or in D1-3 state set according to the PCI bus power management interface specifications.

4.3.2 Reset

The TC6371AF uses the following two reset signals.

- (1) #PCIRST: PCI reset signal. Asserted at power on and at a transition to D3cold. When the input destination of this signal is set to D3 state, the contents of the context register are saved and not cleared even when #PCIRST is asserted.
- (2) #PWRST: Power-on reset signal. Asserted at power on. Asserting #PWRST clears all the TC6371AF's internal registers.

4.4 Detection of Insertion/Removal of SD Card/ SmartMedia™

4.4.1 Detection of Insertion/Removal of SD Card

The TC6371AF detects insertion and removal of the SD card using #SDCD and SDCD3. When #SDCD is Low or SDCD3 is High, the SD card is inserted. When #SDCD is High or SDCD3 is Low, the SD card is withdrawn.

The following is an example of how to detect insertion of the SD card.

1. The TC6371AF detects that #SDCD is Low, then turns power on to the SD card socket.
2. The TC6371AF detects that the SDCD3 pin is High.

The following is an example of how to detect removal of the SD card.

1. The TC6371AF detects that #SDCD is High, or SDCD3 is Low.
2. The TC6371AF turns power off.

* Removing the SD card while the card is being accessed may damage the card.

The SD card insertion/removal status can be checked by bit 9, 8, 4, and 3 of 1Ch SD port register.

4.4.2 Detection of Insertion/Removal of SmartMedia™

The TC6371AF can detect insertion and removal of the SmartMedia™ using #SMCD and #SMEJSW. When #SMCD or #SMEJSW is Low, the SmartMedia™ is inserted. When #SMCD or #SMEJSW is High, the SmartMedia™ is withdrawn. When the bit 7 of the SmartMedia™ host controller configuration register 63h set to "1" and when #SMEJSW is High, this indicates that the SmartMedia™ is inserted. When the bit 6 of SmartMedia™ host controller configuration register 63h set to "1", detection of SmartMedia™ has been masked using #SMEJSW.

The following is an example of how to detect insertion of the SmartMedia™.

1. The TC6371AF detects that #SMCD is Low, then #SMEJSW is Low.
2. The TC6371AF then turns power on to the SmartMedia™ socket.

The following is an example of how to detect removal of the SmartMedia™.

1. The TC6371AF detects that #SMEJSW is High, then #SMCD is High.
2. The TC6371AF then turns power off.

* Removing the SmartMedia™ card when the SmartMedia™ is being accessed may damage the SmartMedia™.

The SmartMedia™ insertion status can be checked using status bits 3 and 2 and interrupt status bit 3 of the SmartMedia™ control register.

4.5 Interrupts

When the TC6371AF detects the following interrupt sources, the TC6371AF asserts interrupt signals (#INTA, #INTB, #PME). The power management register has to be set in order to get #PME output.

4.5.1 Interrupt Sources by SD Card

Interrupt sources by the SD card are as listed below:

Normal interrupts

- SD card insertion interrupt by #SDCD *
- SD card removal interrupt by #SDCD *
- SD card insertion interrupt by SDCD3 *
- SD card removal interrupt by SDCD3 *
- Interrupt by write enable buffer signal
- Interrupt by read enable buffer signal
- Interrupt by R/W end signal
- Interrupt by response end signal

Error interrupts

- Timeout error (command) interrupt
- Buffer underflow interrupt
- Buffer overflow interrupt
- Timeout error (data) interrupt
- End bit error interrupt
- CRC error interrupt
- CMD index error interrupt

4.5.2 Interrupt Sources by SmartMedia™

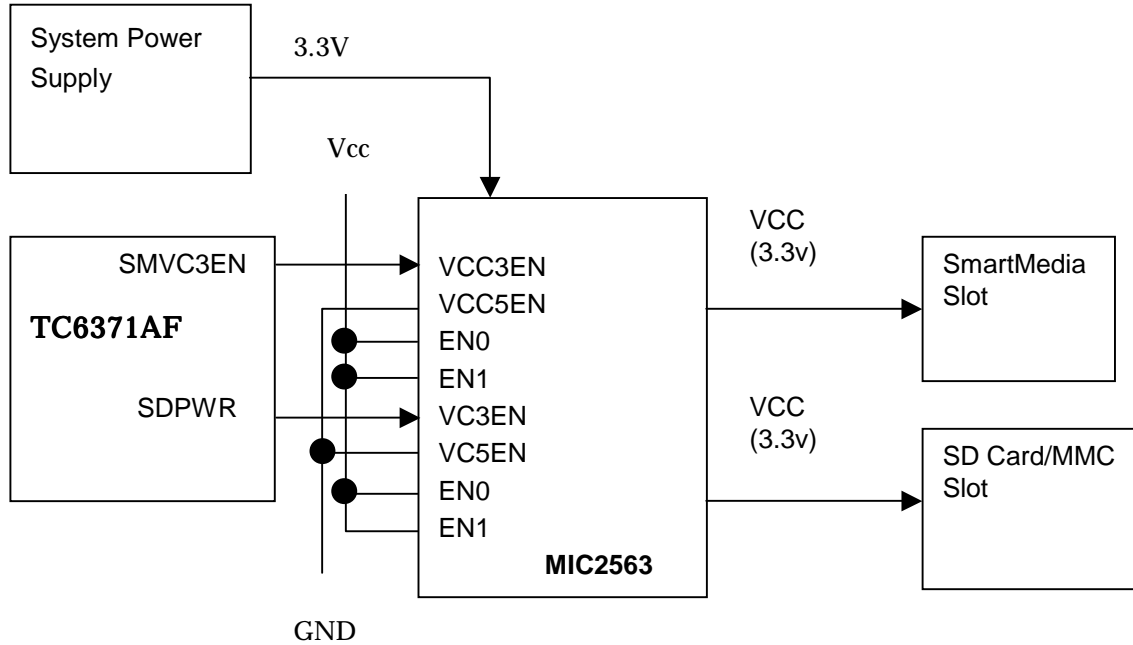
Interrupt sources by the SmartMedia™ are as listed below:

- SmartMedia™ insertion interrupt
- SmartMedia™ removal interrupt
- Interrupt by #SMEJSW signal
- Interrupt when #SMRB signal changes from Low to High

* Interrupt sources which can be output to #PME. Other interrupt sources can only be output to #INTA or #INTB.

4.6 Card Slot Power Supply Control

The TC6371AF is designed so that it can be connected to MIC2563 (power supply control LSI). An example of application circuit is shown below.



4.6.1 SD Card Slot Power Supply Control

Setting the power control register (config offset: 48h) enables to control the power supply of SD card.

Parallel power supply control signal

Signal name	Function	Pin
SDPWR	Controls 3.3-V VCC for SD card	69

4.6.2 SmartMedia™ Slot Power Supply Control

There are two modes for controlling power supply to the SmartMedia™ slot: Manual Power Supply Control mode and Automatic Power Supply Control mode. Those modes are switched using the bit 7 of the SmartMedia™ host controller configuration register at 62h. In Manual Power Supply Control mode, bits 3 and 2 of the SmartMedia™ control register (offset: 02h) are used. In Automatic Power Supply Control mode, when the SmartMedia™ is inserted, power is automatically turned on. When the SmartMedia™ is removed, power is turned off.

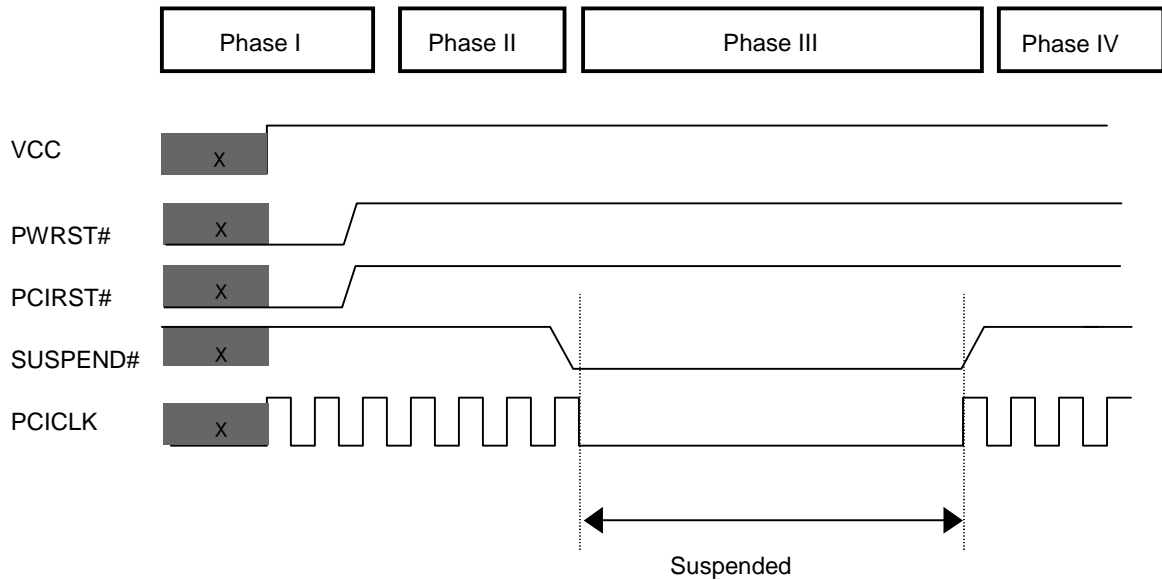
As of January, 2002, the SmartMedia™ driver uses a manual power supply control.

Parallel power supply control signal

Signal name	Function	Pin
SMVC3EN	Controls 3.3-V VCC for SmartMedia™	72

4.7 Suspend State

When #SUSPEND is Low, TC6371AF prevents throughput of data input from the SD card and SmartMedia™. Control signals, output from TC6371AF, are set at non-active level. Among PC system is Suspend state, it is recommended that VDD of TC6371AF is power off.



- Phase I: Immediately after power on, #PCIRST and #PWRST are L and #SUSPEND is H. This state clears all circuits.
- Phase II: Normal state with #PCIRST de-asserted (H).
- Phase III: Asserting #SUSPEND sets suspend state. In this state, TC6371AF prevents throughput of signals input from the SD card and SmartMedia™. (*) In this state, TC6371AF cannot accept PCI transactions. Stopping the PCICLK in suspend state reduces power consumption.
- Phase IV: De-asserting #SUSPEND restores TC6371AF to its normal operating state.

* When #SUSPEND is Low, TC6371AF prevents current flow from VCC to GND even if an intermediate potential is applied and TC6371AF masks out the input buffer signals as well.

4.8 Power Management

The TC6371AF supports a power management function conforming to PCI bus power management interface specification revision 1.1 (PCI-PM) for both the SD host controller and the SmartMedia™ host controller. As of January, 2002, the SD/MMC/ SmartMedia™ driver does not support a function which enables #PME and then performs output.

4.8.1 PME Register Structure

To support the #PME, the TC6371AF registers conform to PCI-PM specifications.

PME Registers			Config. Offset
Power Management Capabilities (PMC)		Next Item Ptr	80h
Data	PMCSR PCI to PCI Bridge Support (PMCSR_BSE)	Power Management Control/Status (PMCSR)	84h

4.8.2 PME State

The PCI power management specifications are defined by five states (D0uninitialized D0active, D1, D2, D3hot, and D3cold) according to the power dissipation level.
The TC6371AF can support all five states.

4.8.3 PME Context Register

In D3hot and D3cold states, TC6371AF supports PME. This allows the TC6371AF to detect wakeup events and assert #PME even when #PCIRST is asserted and auxiliary power only (D3cold) is supplied. The required registers must therefore be saved. The following are the registers to be saved.

1) SD Host Controller

Configuration register

- | | |
|-----------------|-----------------------------------|
| • Offset 80-87h | Power management-related register |
| • Offset 48h | Power Control |
| • Offset 4Ch | CardDetect Mode |
| • Offset 88h | PME Trigger Enable |
| • Offset A0-Efh | CIS |
| • Offset FDh | PM Write Protect |

SD IO register

- | | |
|--------------------------------|-----------------------|
| • Offset 20h
bit 9, 8, 4, 3 | SD INFO MASK register |
|--------------------------------|-----------------------|

2) Smart Media™ Host Controller

Configuration register

- | | |
|-----------------|-----------------------------------|
| • Offset 80-87h | Power management-related register |
| • Offset 48h | Interrupt Enable |
| • Offset 49h | PME Enable |
| • Offset 4Ah | Event Control |
| • Offset 4Ch | CLKRUN Control |
| • Offset 5Bh | Debug |
| • Offset 60h | SmartMedia™ Transaction Control |
| • Offset 62h | SmartMedia™ Power Supply Control |
| • Offset 63h | SmartMedia™ Detect Control |
| • Offset A0-EFh | CIS |
| • Offset F0-F1h | ROM Data Port |
| • Offset F2h | ROM Index Port |
| • Offset F3h | ROM Control |
| • Offset FCh | Configuration Control |
| • Offset FFh | Monitor Select Protect |

SmartMedia™ Control register

- | | |
|-------------------------|---------------------------|
| • Offset 00-03h(00h) | Data register |
| • Offset 04h(02h Write) | Mode register |
| • Offset 05h(02h Read) | Status register |
| • Offset 06h(04h) | Interrupt Status register |
| • Offset 07h(06h) | Interrupt Mask register |

4.8.4 #PME Generation

#PME is controlled (enabled/disabled) by the bit 8 (PME_EN) of the power management control/status register (config offset: 84h). The status can be checked using the bit 15 of the register. When the TC6371AF detects card insertion/removal events or other interrupt events, the TC6371AF asserts #PME. The host controller controls registers to perform masking events and controlling flags.

Card type	Interrupt event	Pin name	Details
SD host controller	Card insertion/removal	#SDCD、SDCD3(CD)	Indicates insertion into/removal from card slot
SmartMedia™ host controller	Card insertion/removal	#SMCD、#SMEJSW	Indicates insertion into/removal from card slot
	BSY release	#SMRB	Triggered by SmartMedia™ BSY release

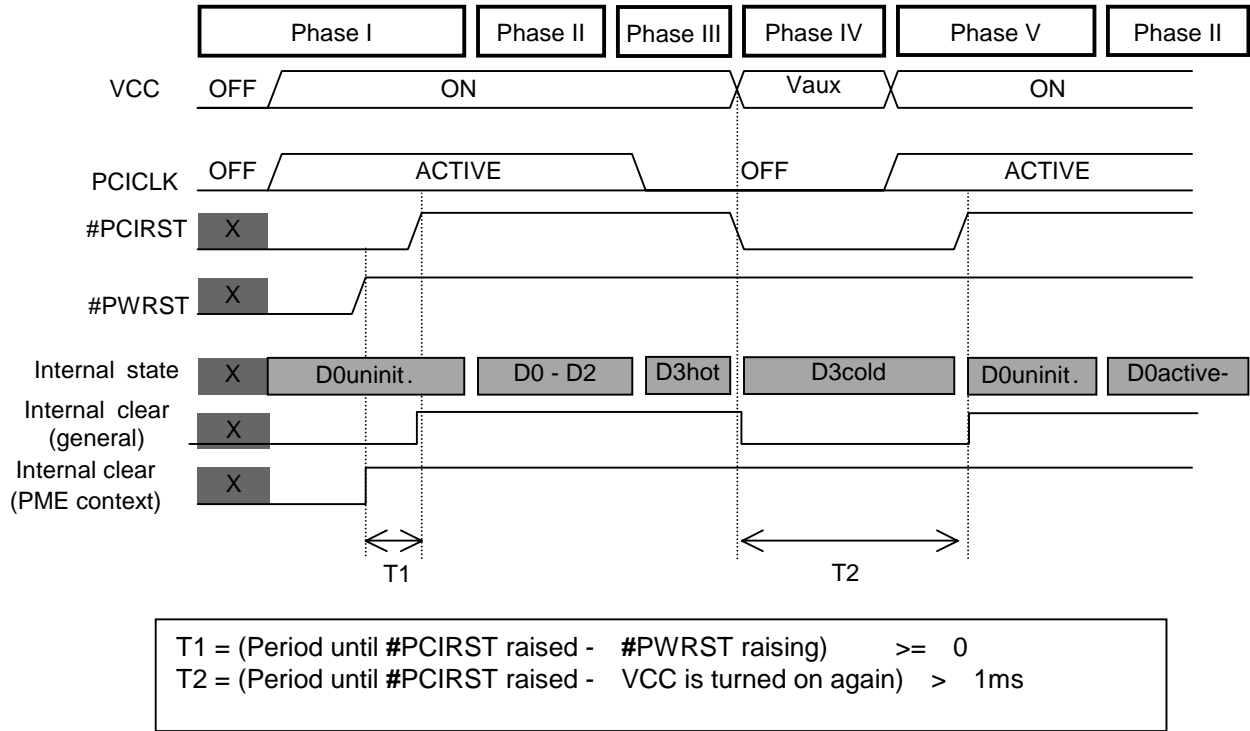
Note: The TC6371AF uses a 32-kHz clock (CLK32) for the #PME control circuit.
 In D3hot/D3cold state or in D1/D2 state where the CLKRUN protocol operates, PCICLK is stopped. Therefore, when CLK32 is not input, the TC6371AF's #PME control circuit does not operate and #PME cannot be supported.

4.8.5 #PME Pin

The #PME pin outputs power management interrupts according to PCI bus power management interface specifications. Because the pin is an open drain output determined by PCI bus power management interface specifications, it must be pulled up outside the TC6371AF. To prevent leak current from the external pull-up even when the power supply to this pin is off, the pin is open-drain output with failsafe measures.

4.8.6 #PWRST

The TC6371AF supports a #PME wakeup from D3cold state (in conformance to the PCI 2.1 power-on reset sequence). The #PWRST signal is used to reset the PME context at power on.



- Phase I: #PWRST and #PCIRST are L when the VCC is turned on from power off. This state clears all circuits, including the PME context.
- Phase II: Normal operating mode. #PWRST and #PCIRST are both H.
- Phase III: Setting PMCSR (config 84h) bits 1 and 0 to 11b sets the internal circuitry to D3hot. The PCICLK is set to L except at a configuration access of PMCSR. Setting bits 1 and 0 of PMCSR to 00b shifts to D0uninit state. Asserting #PCIRST at L shifts to Phase IV D3cold.
- Phase IV: Asserting #PCIRST at L sets the internal circuitry to D3cold. During this period, the power supply to VCC can be switched to Vaux. At that time, VCCP can be turned off, but because #PCIRST is L and #PWRST is H, the PME context is saved.
- Phase V: VCCP is turned back on and PCICLK goes active. While #PCIRST is L, an internal (general) clear resets all circuits except the PME context. Next, the TC6371AF returns to normal operating mode and the context can be written.

#PWRST	#PCIRST	PME context
L	X	Cleared
H	L	Saved
H	H	Normal

Notes:

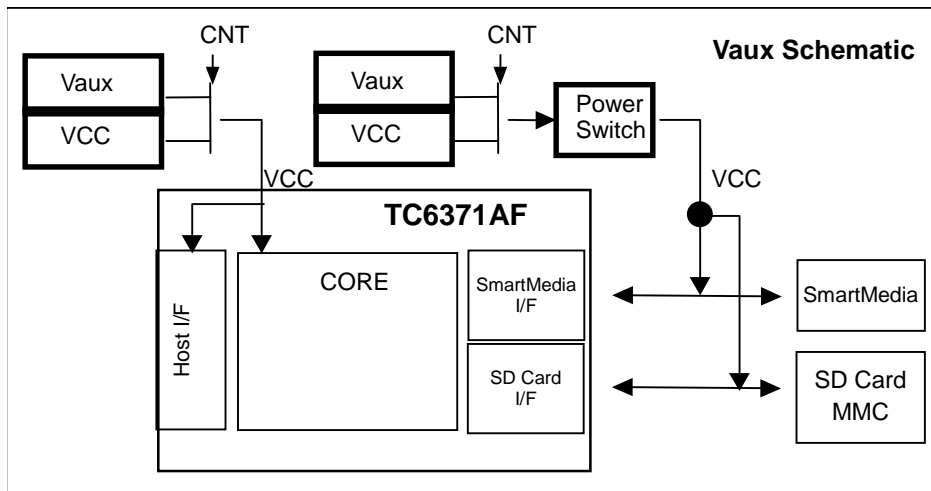
- If D3cold is not supported, set the #PCIRST input signal level the same as that of the #PWRST input signal.
- If D3cold is supported, it is desirable to switch Vaux after asserting #PCIRST. When restoring from D3cold state, make sure that the PCICLK waveform is stable.

4.8.7 Vaux in D3cold State

Because the TC6371AF supports a D3cold state, it requires an auxiliary power supply (Vaux). The four systems that need the auxiliary power supply are:

- TC6371AF internal PME context (includes interrupt detection): VCC
- Card slot power supply (power-SW) related control: VCC
- Interface with host (system interface): VCC
- SmartMedia™ slot/SD card slot interface: VCC

Toshiba recommends asserting #PCIRST to be “Low” before moving to Vaux operation.



Pins that are active when operating on auxiliary power supply.

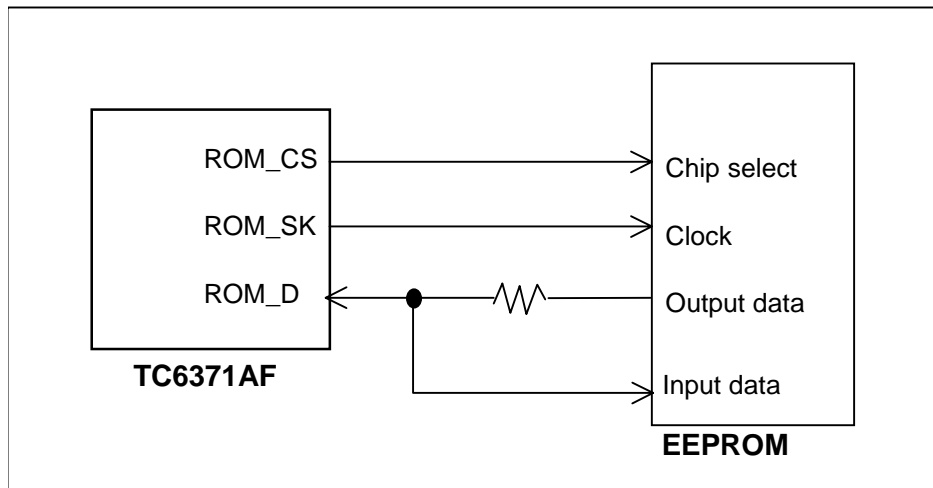
Host I/F	SD I/F (VCC)	SmartMedia™ (VCC)
#PME CLK32 #PWRST #SUSPEND SDPWR SMVC3EN	#SDCD	#SMCD #SMEJSW

4.9 Serial ROM Interface

The TC6371AF supports a serial ROM interface. The ROM interface is used to load the configuration register initial values (mainly subsystem ID and subsystem vendor ID initial values) and CIS information when using the CardBus card.

When using the serial ROM interface, connect the interface as below and set the external pins TST1[3-0] to D010.

Toshiba verified operation of the serial ROM interface using one "NM93C66"(Fairchild) with a 10-k Ω resistor connected shown as the figure below.



4.10 Pulled-Up/Pulled-Down Resistors

The TC6371AF needs pulled-up/pulled-down resistors attached to each interface. The following resistance values are provided as a guide.

4.10.1 SD Card Interface

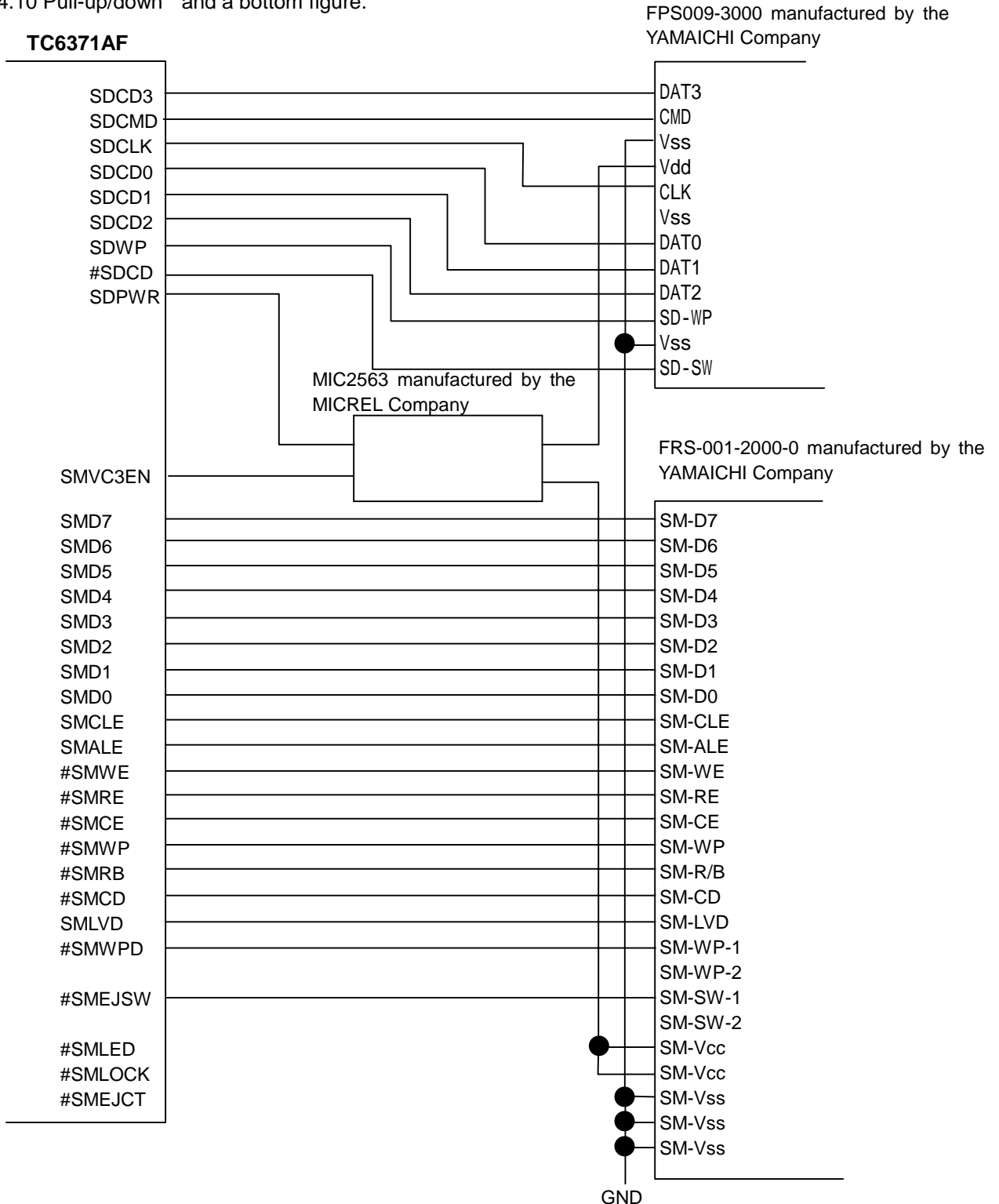
NAME	Pin	IO	Pull-up/ Pull-down	Pull-up power supply	Resistance	FUNCTION
SDCD3	85	IO	Pull-up	SDVCC	47KΩ	SD card data bus
SDCD2	83		Pull-up	SDVCC	100KΩ	
SDCD1	102		Pull-up	SDVCC	100KΩ	
SDCD0	101		Pull-up	SDVCC	100KΩ	
SDCMD	89	IO	Pull-up	SDVCC	*1 : 33K *2 : 100K	SD card / command *1: MultiMedia Card supported *2: MultiMedia Card not supported
SDCLK	98	O	—	—	—	SD card clock
#SDCD	104	I	Pull-up	VCC	10KΩ	SD card detection
SDWP	105	I	Pull-up	VCC	10KΩ	SD card write-protection

4.10.2 SmartMedia™ Interface

NAME	Pin	IO	Pull-up/ Pull-down	Pull-up power supply	Resistance	FUNCTION
SMD7	91	IO	Pull-down	—	100KΩ	Data
SMD6	94					
SMD5	96					
SMD4	99					
SMD3	95					
SMD2	93					
SMD1	90					
SMD0	86					
SMCLE	75	O (3state)	Pull-down	—	100KΩ	Enables the command latch.
SMALE	78	O (3state)	Pull-down	—	100KΩ	Enables the address latch.
#SMCE	77	O (3state)	Pull-up	SMVCC	100KΩ	Enables the chip.
#SMWE	80	O (3state)	Pull-up	SMVCC	100KΩ	Enables a write.
#SMRE	79	O (3state)	Pull-up	SMVCC	100KΩ	Enables a read.
#SMWP	84	O (3state)	Pull-down	—	100KΩ	Write-protection
#SMRB	82	I	Pull-up	SMVCC	10KΩ	Busy
#SMCD	100	I	Pull-up	VCC	10KΩ	Detects card.
SMLVD	88	I	Pull-down	—	100KΩ	Detects low voltage.
#SMWPD	73	I	Pull-up	VCC	10KΩ	Write-protection seal
#SMEJSW	74	I	Pull-up	VCC	10KΩ	Eject request
#SMLED	107	O (OD)	Pull-up	VCC	100KΩ	Turns on the LED.
#SMLOCK	109	O (OD)	Pull-up	VCC	100KΩ	Lock mode
#SMEJCT	106	O (OD)	Pull-up	VCC	100KΩ	Eject response

4.11 Connection example of SD Card/SmartMedia™ socket

It is shown that total 32 signal connections example of TC6371AF which have 8 signals of SD card interface, 1 signal of a power supply control for SD card, 22 signals of SmartMedia™ interface and 1 signal of a power supply control for SmartMedia™. As for our company, a movement confirmation of the SD card /SmartMedia™ was done by using FRS-001-2000-0 and FPS009-3000 of the YAMAICHI Company. An outside pull-up/down resistance that is mentioned on an item of the "4.10 Pull-up/down resistance" is not shown in a bottom figure. When you design a circuit, please refer to recommended resistance by an item of the "4.10 Pull-up/down " and a bottom figure.



4.12 Processing Unused Interface External Pins

TC6371AF accommodates one port of SD Card Interface and one port of SmartMedia™ Interface. See descriptions for processing pins in respective sections of interface when dealing with unused External Pins for interfaces.

4.12.1 Processing Pins (SmartMedia™ Interface unsupported)

Process Pins according to the following table when SmartMedia™ Interface is unused (when each signals are not connected to other parts) :

NAME	Pin	I/O	Process
SMD7	91	IO	Pull-up resistance for 100KΩ
SMD6	94	IO	Pull-up resistance for 100KΩ
SMD5	96	IO	Pull-up resistance for 100KΩ
SMD4	99	IO	Pull-up resistance for 100KΩ
SMD3	95	IO	Pull-up resistance for 100KΩ
SMD2	93	IO	Pull-up resistance for 100KΩ
SMD1	90	IO	Pull-up resistance for 100KΩ
SMD0	86	IO	Pull-up resistance for 100KΩ
SMCLE	75	O (3state)	OPEN
SMALE	78	O (3state)	OPEN
#SMCE	77	O (3state)	OPEN
#SMWE	80	O (3state)	OPEN
#SMRE	79	O (3state)	OPEN
#SMWP	84	O (3state)	OPEN
#SMRB	82	I	High
SMLVD	88	I	Low
#SMCD	100	I	High
#SMWPD	73	I	High
#SMEJSW	74	I	High
#SMLED	107	O (OD)	OPEN
#SMLOCK	109	O (OD)	OPEN
#SMEJCT	106	O (OD)	OPEN
SMVC3EN	72	O	OPEN

And,

NAME	Pin	I/O	Process
FCMODE	58	I	Low
IDSEL0	13	I	Connect to any AD line
IDSEL1	120	I	Low

4.12.2 Processing Pins (SD Interface unsupported)

Process Pins according to the following table when SD Interface is unused (when each signals are not connected to other parts):

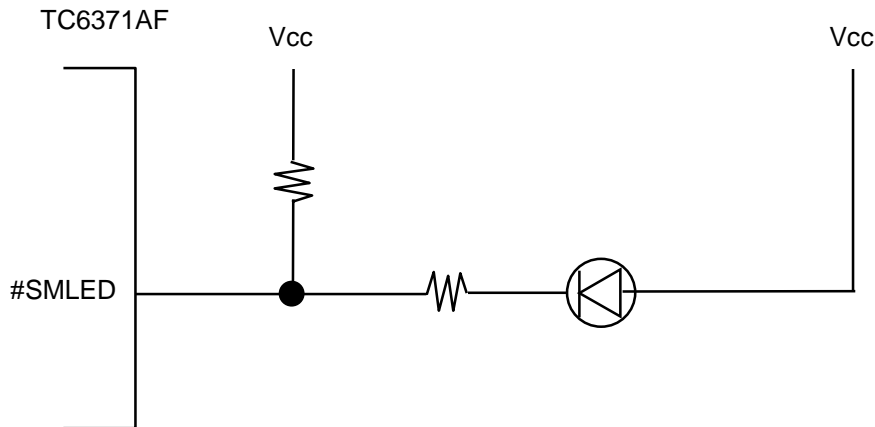
NAME	Pin	I/O	Process
SDCD3	85	IO	Pull-up resistance for 100KΩ
SDCD2	83	IO	Pull-up resistance for 100KΩ
SDCD1	102	IO	Pull-up resistance for 100KΩ
SDCD0	101	IO	Pull-up resistance for 100KΩ
SDCMD	89	IO	Pull-up resistance for 100KΩ
SDCLK	98	O	Low
#SDCD	104	I	High
SDWP	105	I	Low
SDPWR	69	O	OPEN

And,

NAME	Pin	I/O	Process
FCMODE	58	I	Low
IDSEL0	13	I	Low
IDSEL1	120	I	Connect to any AD line

4.13 #SMLED signal

TC6371AF has the #SMLED signal for SmartMedia interface. It is recommended that this signal is used for access LED, for example reading and writing. This signal is controlled by setting Mode Register(Offset:04h) of SmartMedia control register.



When Mode Register is written 04h, #SMLED becomes low and LED turns on. In reverse, in the case of being written 00h, #SMLED becomes high and LED turns off.

4.14 GPIO interface specification

TC6380AF holds 8 pins(GPIO[7:0] signals) as general port. As GPIO[7:4] signals are input ones, please use them as fixed values with referring to page 14. It shows a usage method of GPIO[3:0] signals.

GPIO[3:0] signals can be output by setting 1b to D5 of Monitor Select Register(Config Offset:FFh) of SmartMedia host controller register. GPIO3 signal can be controlled by D3 of Monitor Select Register, GPIO2 signal can be controlled by D2 of Monitor Select Register, GPIO1 signal can be controlled by D3 of Monitor Select Register and GPIO0 signal can be controlled by D0 of Monitor Select Register.

As of January, 2002, the SD/MMC/SmartMedia driver does not perform any functions by controlling GPIO signals.

5 Electrical Characteristics

5.1 Absolute Maximum Ratings

Absolute Maximum Ratings

Symbol	Parameter	Min	Max	Unit	Condition	Note
Vcc	Supply Voltage Range	-0.3	5.0	V	GND=0V	1
Vin3	Input Voltage (3.3V)	-0.3	Vcc+0.3	V	GND=0V	
Vout	Output Voltage	-0.3	Vcc+0.3	V	GND=0V	
Tstg	Storage Temperature Range	-40	125	°C		

Note 1: VCC power supply

(Caution)

The absolute maximum ratings indicate a level at which permanent damage to the device may occur if those ratings are exceeded and are not intended to provide a guarantee that damage will not occur by staying within the level of the ratings.

5.2 DC Characteristics

5.2.1 Power Supply Voltage: Recommended Conditions

Power Pin	Parameter	Min	Typ	Max	Unit	Note
Vcc	Supply Voltage for Core Logic	3.0	3.3	3.6	V	
Topr	Ambient Temperature under bias	0	25	70	°C	

5.2.2 PCI Interface DC Characteristics

PCI interface DC characteristics at 3.3 V operation.

Symbol	Parameter	Min	Max	Unit	Test Condition	Note
Vih	Input High Voltage	0.5Vcc	Vcc+0.5	V		1-1
Vil	Input Low Voltage	-0.5	0.3Vcc	V		1-1
Vih	Input High Voltage	0.7Vcc	Vcc+0.5	V		1-2
Vil	Input Low Voltage	-0.5	0.2Vcc	V		1-2
Voh	Output High Voltage	0.9Vcc	—	V	Iout=-500μA	1-3
Vol	Output Low Voltage	—	0.1Vcc	V	Iout=1500μA	1-4
Ioh	Switching Current High 1	-12Vcc	—	mA	Vout=0.3Vcc	1-3
	Switching Current High 2	—	-32Vcc	mA	Vout=0.7Vcc	1-3
Iol	Switching Current Low 1	16Vcc	—	mA	Vout=0.6Vcc	1-4
	Switching Current Low 2	—	38Vcc	mA	Vout=0.18Vcc	1-4
Iiik	Input Leakage Current	-10	10	μA	0<Vin<Vcc	1-1
						1-2
Slewr	Output Rise Slew Rate	1	4	V/ns		1-3
Slewf	Output Fall Slew Rate	1	4	V/ns		1-3

Note 1-1: Applied for AD[31:0], CBE#[3:0], #FRAME, #IRDY, #CLKRUN, IDSEL0, IDSEL1 pins

Note1-2: Applied for #PCIRST PCICLK pins

Note1-3: Applied for AD[31:0], CBE#[3:0], PAR, #TRDY, #STOP, #DEVSEL, #CLKRUN pins

Note1-4: Applied for AD[31:0], CBE#[3:0], PAR, #TRDY, #STOP, #DEVSEL, #CLKRUN, #INTA, #INTB, #PME pins

5.2.3 SmartMedia™ Interface DC Characteristics

SmartMedia™ interface DC characteristics at 3.3 V operation (VCC =3.0-3.6V, Ta=0-70°C)

Symbol	Parameter	Min	Max	Unit	Condition	Note
Vih	Input High Voltage	2.2	—	V		2-1
Vil	Input Low Voltage	—	0.6	V		2-1
Voh	Output High Voltage	2.4	—	V	Iout=-1mA 3.0V<Vcc<3.6V	2-2
Vol1	Output Low Voltage	—	0.4	V	Iout=1mA 3.0V<Vcc<3.6V	2-2
Vol2	Output Low Voltage	—	0.4	V	Iout=8mA 3.0V<Vcc<3.6V	2-3
Iilk	Input Leakage Current	-10	10	μA	Vin=0-Vcc	2-1

Note2-1: Applied for SMD[7:0], #SMRB, #SMCD, SMLVD, #SMWPD, #SMEJSW pins

Note2-2: Applied for SMD[7:0], SMCLE, SMALE, #SMCE, #SMWE, #SMRE, #SMWP pins

Note2-3: Applied for #SMLOCK, #SMEJCT, #SMLED pins

5.2.4 SmartMedia™ Power Supply Control DC Characteristics

SmartMedia™ power supply control DC characteristics at 3.3 V operation (Vcc =3.0-3.6V, Ta=0-70)

Symbol	Parameter	Min	Max	Unit	Condition	Note
Voh	Output High Voltage	2.4	—	V	Iout=-100μA 3.0V<Vcc<3.6V	2-4
Vol	Output Low Voltage	—	0.6	V	Iout=100μA 3.0V<Vcc<3.6V	2-4

Note2-4: Applied for SMVC3EN pin

5.2.5 SD Card Interface Pin DC Characteristics

SD card interface DC characteristics at 3.3 V operation ($V_{CC} = 3.0-3.6V$, $T_a = 0-70^{\circ}C$)

Symbol	Parameter	Min	Max	Unit	Condition	Note
Vih	Input High Voltage	0.7Vcc	Vcc+0.3	V		3-1
Vil	Input Low Voltage	Vss-0.3	0.175Vcc	V		3-1
Vih	Input High Voltage	0.8Vcc	—	V		3-2
Vil	Input Low Voltage	—	0.2Vcc	V		3-2
Voh	Output High Voltage	0.75Vcc	—	V	I _{out} =-1mA 3.0V<Vcc<3.6V	3-3
Vol	Output Low Voltage	—	0.125Vcc	V	I _{out} =1mA 3.0V<Vcc<3.6V	3-3
Iilk	Input Leakage Current	-10	10	μA	0<V _{in} <Vcc	3-1 3-2
Rdat3	Pull-up resistance inside card (pin1)	10	90	KΩ		

Note3-1: Applied for SDCD[3:0], SDCMD, SDWP pins

Note3-2: Applied for #SDCD pins

Note3-3: Applied for SDCD[3:0], SDCMD, SDCLK pins

5.2.6 SD Card Power Supply Control DC Characteristics

SD card power supply control DC characteristics at 3.3 V operation ($V_{CC} = 3.0-3.6V$, $T_a = 0-70^{\circ}C$)

Symbol	Parameter	Min	Max	Unit	Condition	Note
Voh	Output High Voltage	2.4	—	V	I _{out} =-100μA 3.0V<Vcc<3.6V	3-3
Vol	Output Low Voltage	—	0.6	V	I _{out} =100μA 3.0V<Vcc<3.6V	3-3

Note3-3: Applied for SDPWR pin

5.2.7 System Interface Pin (5 V-Tolerant) DC Characteristics

System interface pin DC characteristics (VCC =3.0-3.6V, Ta=0-70°C)

Symbol	Parameter	Min	Max	Unit	Test Condition	Note
Vih	Input High Voltage	Vcc-0.6	—	V		4-1
Vil	Input Low Voltage	—	0.6	V		4-1
Iilk	Input Leakage Current	-10	10	μA	0<Vin<Vcc	4-1
Vih	Input High Voltage	0.8Vcc	—	V		4-2
Vil	Input Low Voltage	—	0.6	V		4-2
Iilk	Input Leakage Current	-10	10	μA	0<Vin<Vcc	4-2
Vih	Input High Voltage	0.8Vcc	—	V		4-3
Vil	Input Low Voltage	—	0.2Vcc	V		4-3
Iilk	Input Leakage Current	-10	10	μA	Vin=	4-3
Vih	Input High Voltage	0.8Vcc	—	V		4-4
Vil	Input Low Voltage	—	0.2Vcc	V		4-4
Iilk	Input Leakage Current	-10	10	μA	0<Vin<Vcc	4-4

Note4-1: Applied for CLK32 pin

Note4-2: Applied for #PWRST pin

Note4-3: Applied for #SUSPEND pin

Note4-4: Applied for FCMODE pin

5.2.8 GPIO Interface Pin DC Characteristics

GPIO interface pin DC characteristics ($V_{cc} = 3.0-3.6V$, $T_a = 0-70$)

Symbol	Parameter	Min	Max	Unit	Condition	Note
Vih	Input High Voltage	0.8V _{cc}	—	V		5-1
Vil	Input Low Voltage	—	0.2V _{cc}	V		5-1
Ioh	Output High Current	—	-4	mA	Voh=2.4V	5-2
Iol	Output Low Current	4	—	mA	Vol=0.4V	5-2
Iilk	Input Leakage Current	-10	10	μA	0<Vin<V _{cc}	5-1

Note5-1: Applied for GPIO[7:0] pins

Note5-2: Applied for GPIO[3:0] pins

5.2.9 TEST Pin DC Characteristics

TEST pin DC characteristics ($V_{cc} = 3.0-3.6V$, $T_a = 0-70$)

Symbol	Parameter	Min	Max	Unit	Condition	Note
Vih	Input High Voltage	0.8V _{cc}	—	V		6-1
Vil	Input Low Voltage	—	0.2V _{cc}	V		6-1
Iilk	Input Leakage Current	-10	10	μA	0<Vin<V _{cc}	6-1

Note6-1: Applied for TSTI[3:0] pins

5.2.10 Current Dissipation Characteristics

Power Supply Current

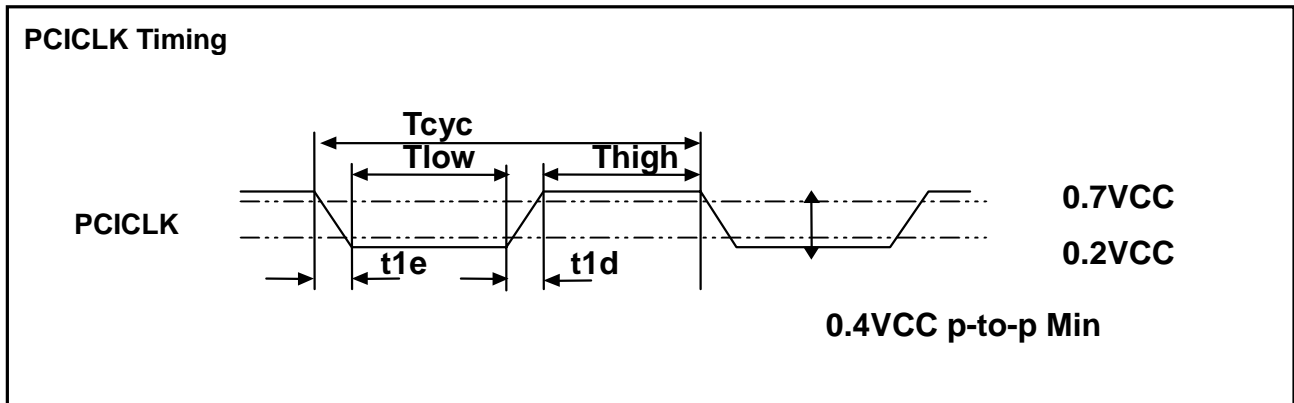
Symbol	Parameter	Min	Typ	Max	Unit	Condition
Iccstd	Power Supply Current, Standby			100	μA	PCICLK=0, CLK32=32KHz VCC=3.6V #SUSPEND=low
IccSM	Power Supply Current, Operating SmartMedia™			56	mA	PCICLK=33MHz, CLK32=32KHz VCC=3.6V
IccSD/ MMC	Power Supply Current, Operating SD Card or MultiMedia Card			75	mA	PCICLK=33MHz, CLK32=32KHz VCC=3.6V

5.3 AC Characteristics

5.3.1 PCI Interface Signal AC Characteristics

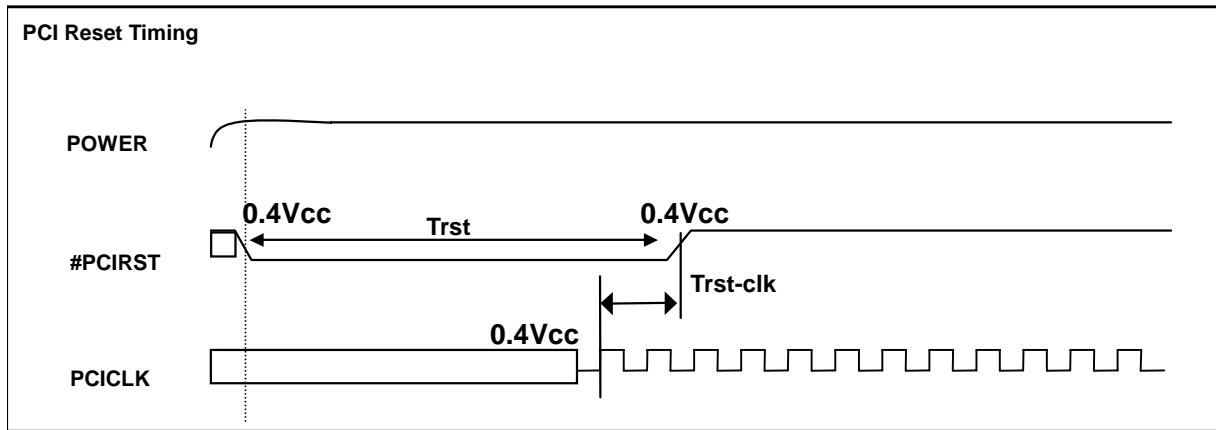
PCI clock AC characteristics (VCC=3.0-3.6V, Ta=0-70°C)

Symbol	Parameter	Min	Max	Unit	Notes
	PCICLK				
Tcyc	CLK cycle time	30	∞	ns	
Thigh	CLK High time	11	—	ns	
Tlow	CLK Low time	11	—	ns	
t1d	Slew Rate, PCICLK Rising Edge	1	4	V/ns	
t1e	Slew Rate, PCICLK Falling Edge	1	4	V/ns	



PCI Reset AC Characteristics (VCC=3.0-3.6V, Ta=0-70°C)

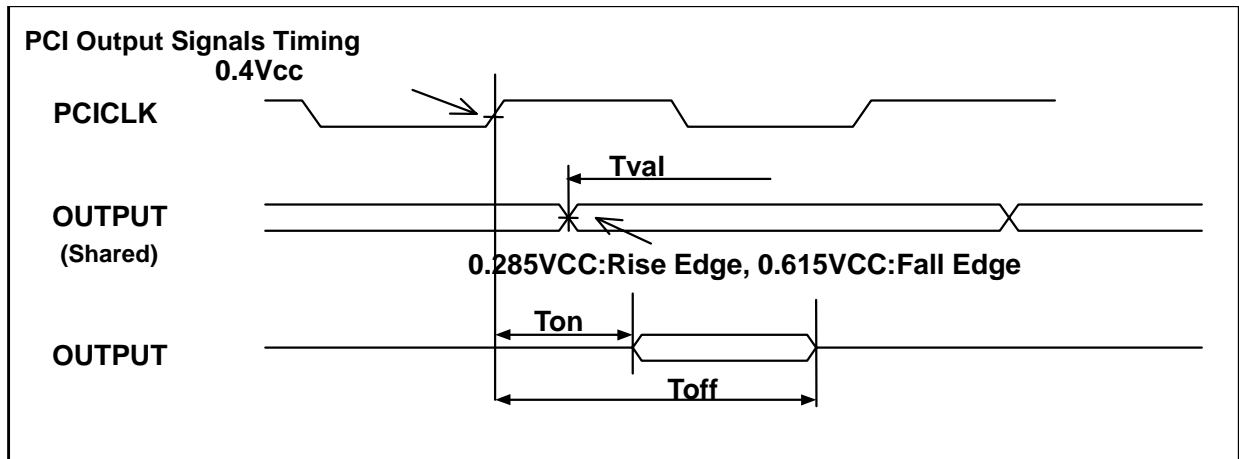
Symbol	Parameter	Min	Max	Unit	Notes
	#PCIRST				
Trst	Reset active time after power stable	1		ms	
Trst-clk	Reset active time after CLK stable	100		μs	



PCI Reset Timing

PCI Interface Output AC Characteristics (VCC=3.0-3.6V, Ta=0-70°C)

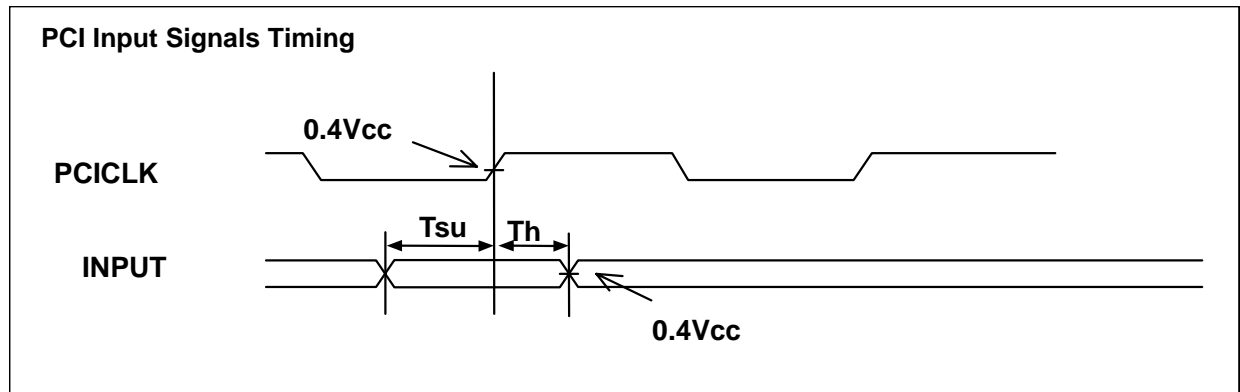
Symbol	Parameter	Min	Max	Unit	Notes
	AD[31:0], #CBE[3:0], PAR, #DEVSEL, #TRDY, #STOP, #CLKRUN				
Tval	CLK to signal valid delay-based signals	2	11	ns	CL=10pF
Ton	Float to active delay	2	—	ns	
Toff	Active to float delay	—	28	ns	



PCI Output Signal Timing

PCI Interface Input Signal AC Characteristics (VCC=3.0-3.6V, Ta=0-70°C)

Symbol	Parameter	Min	Max	Unit	Notes
	AD[31:0], #CBE[3:0], #FRAME, #IRDY, #CLKRUN, IDSEL0, IDSEL1				
Tsu	Input setup time to CLK-based signals	7	—	ns	
Th	Input hold time from CLK	0	—	ns	



PCI Input Signals Timing

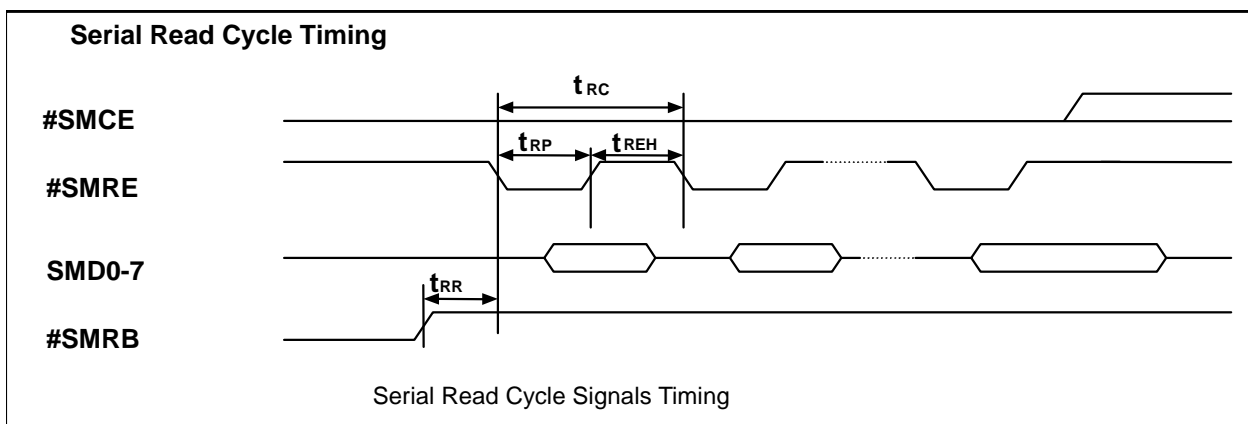
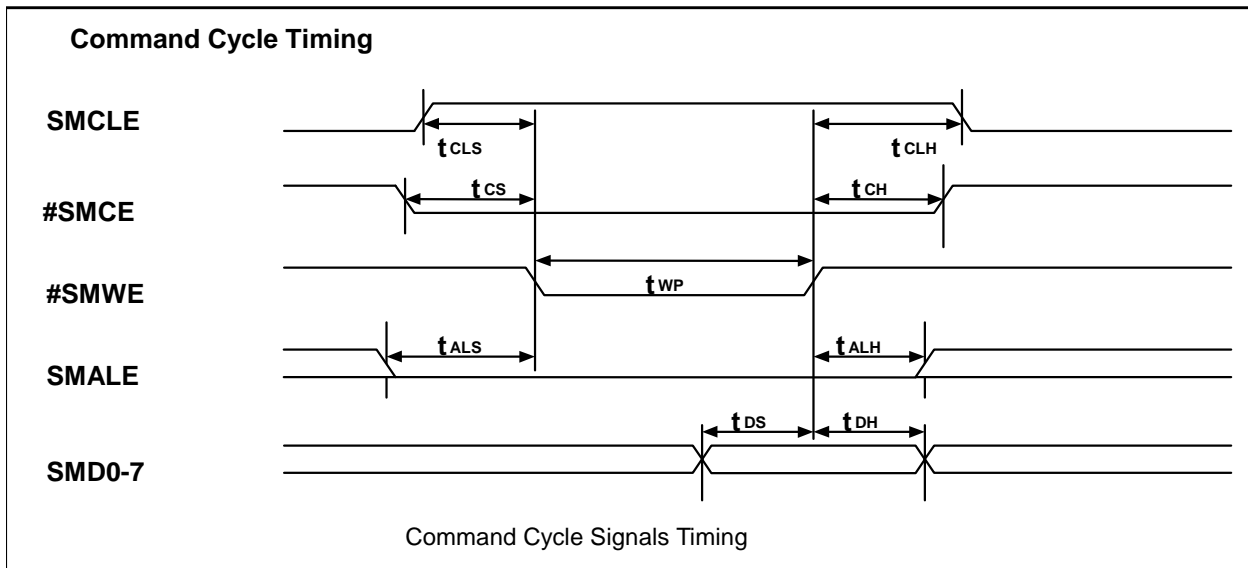
5.3.2 SmartMedia™ Interface Signal AC Characteristics

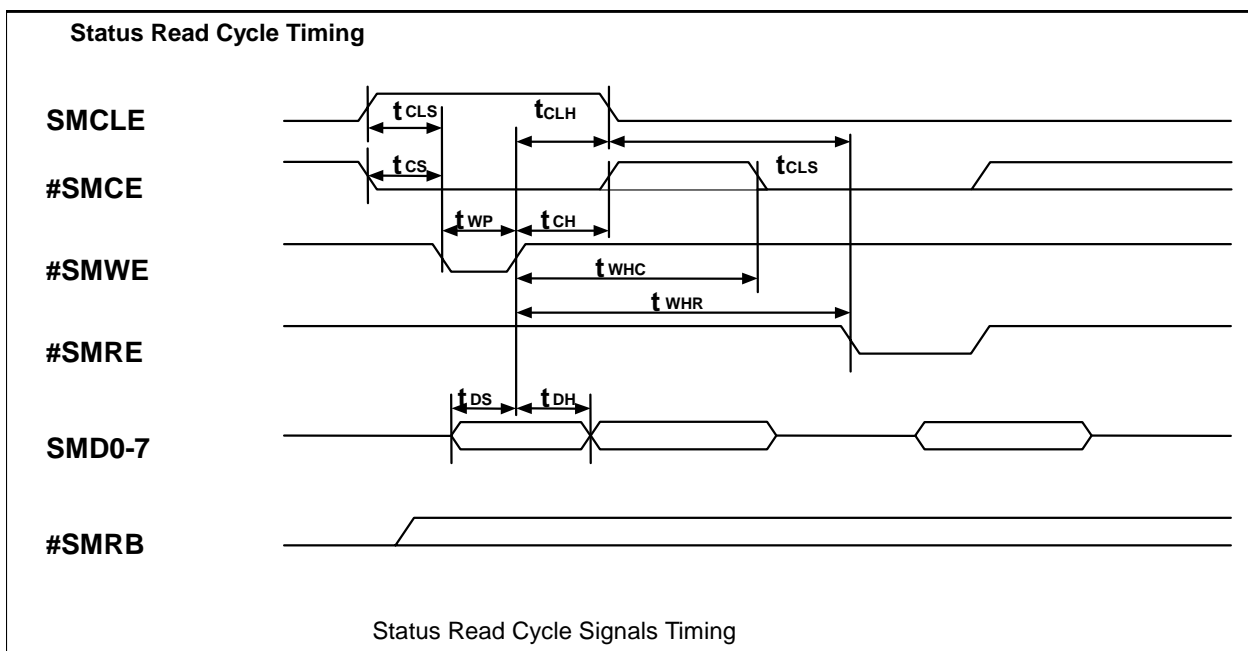
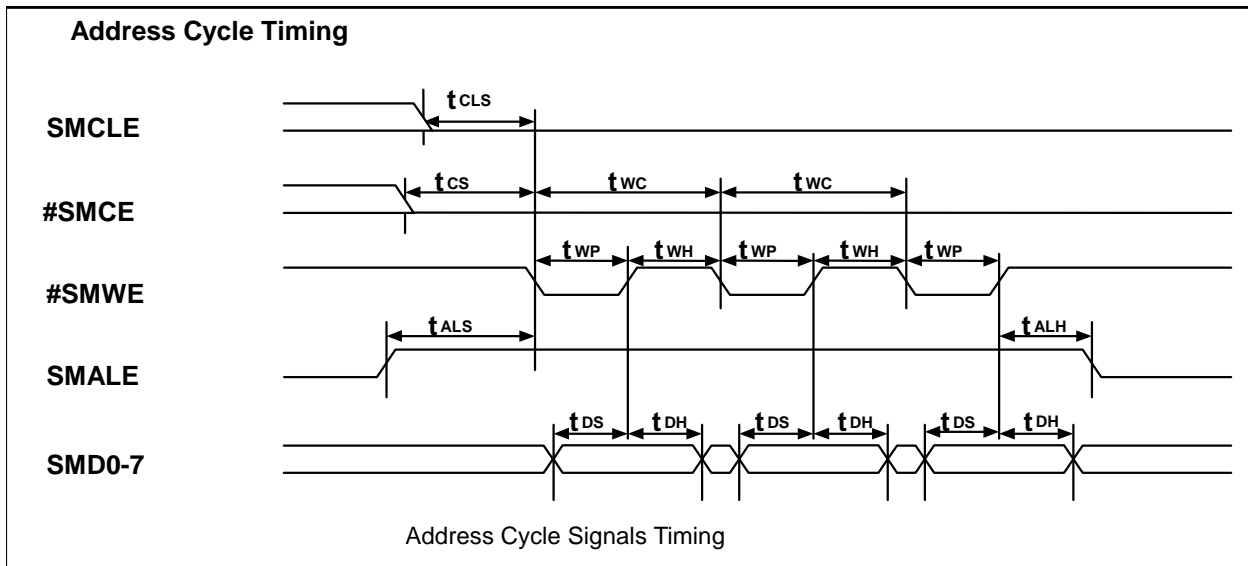
(VCC=3.0-3.6V, Ta=0-70°C)

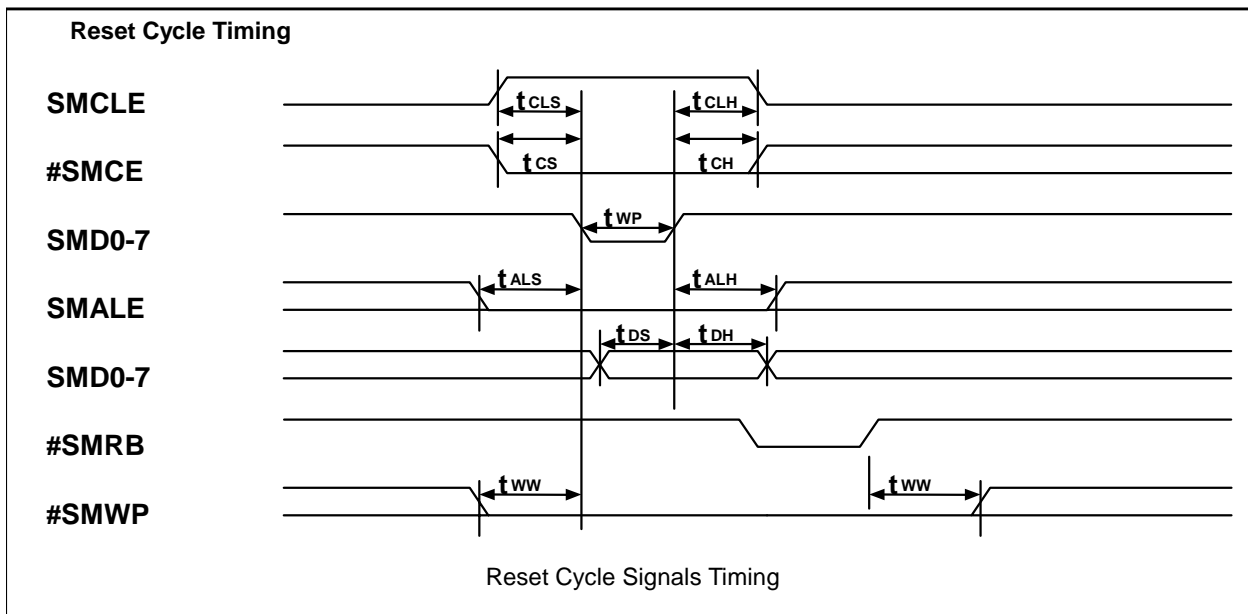
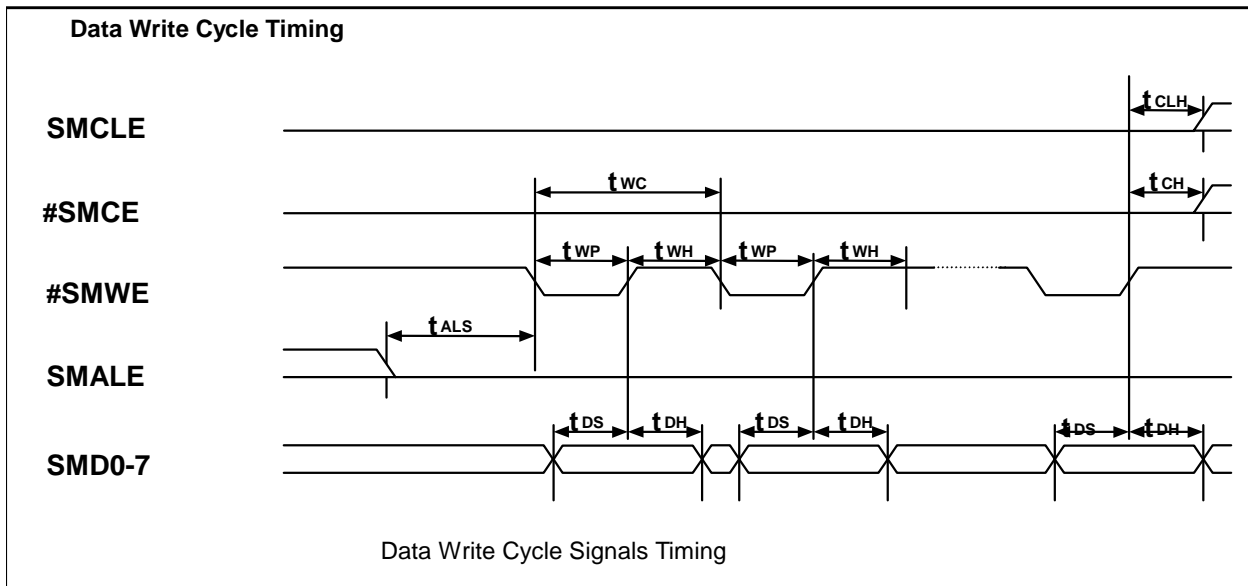
Symbol	Parameter	Min	Max	Unit
t _{CLS}	SMCLE Setup Time	20	—	ns
t _{CLH}	SMCLE Hold Time	40	—	ns
t _{CS}	#SMCE Setup Time	20	—	ns
t _{CH}	#SMCE Hold Time	40	—	ns
t _{WP}	#SMWE Pulse Width	2PCICK	6PCICK	ns
t _{ALS}	SMALE Setup Time	20	—	ns
t _{ALH}	SMALE Hold Time	40	—	ns
t _{DS}	Data Setup Time	30	—	ns
t _{DH}	Data Hold Time	20	—	ns
t _{WH}	#SMWE High Hold Time	3PCICK	—	ns
t _{WW}	#SMWP High to #SMWE Low	100	—	ns
t _{RR}	Ready to #SMRE Low	20	—	ns
t _{RP}	Read Pulse Width	3PCICK	6PCICK	ns
t _{RC}	Read Cycle Time	80	—	ns
t _{CEH}	#SMCE High Hold Time(at the Last Serial Read)	250	—	ns
t _{REH}	#SMRE High Hold Time	2PCICK	—	ns
t _{IR}	Output Hi-Z to #SMRE Low	0	—	ns
t _{WHC}	#SMWE High to #SMCE Low	50	—	ns
t _{WHR}	#SMWE High to #SMRE Low	60	—	ns
t _{AR1}	SMALE Low to #SMRE Low(Address Register Read, ID Read)	200	—	ns
t _{CR}	#SMCE Low to #SMRE Low(Data Register Read, ID Read)	200	—	ns

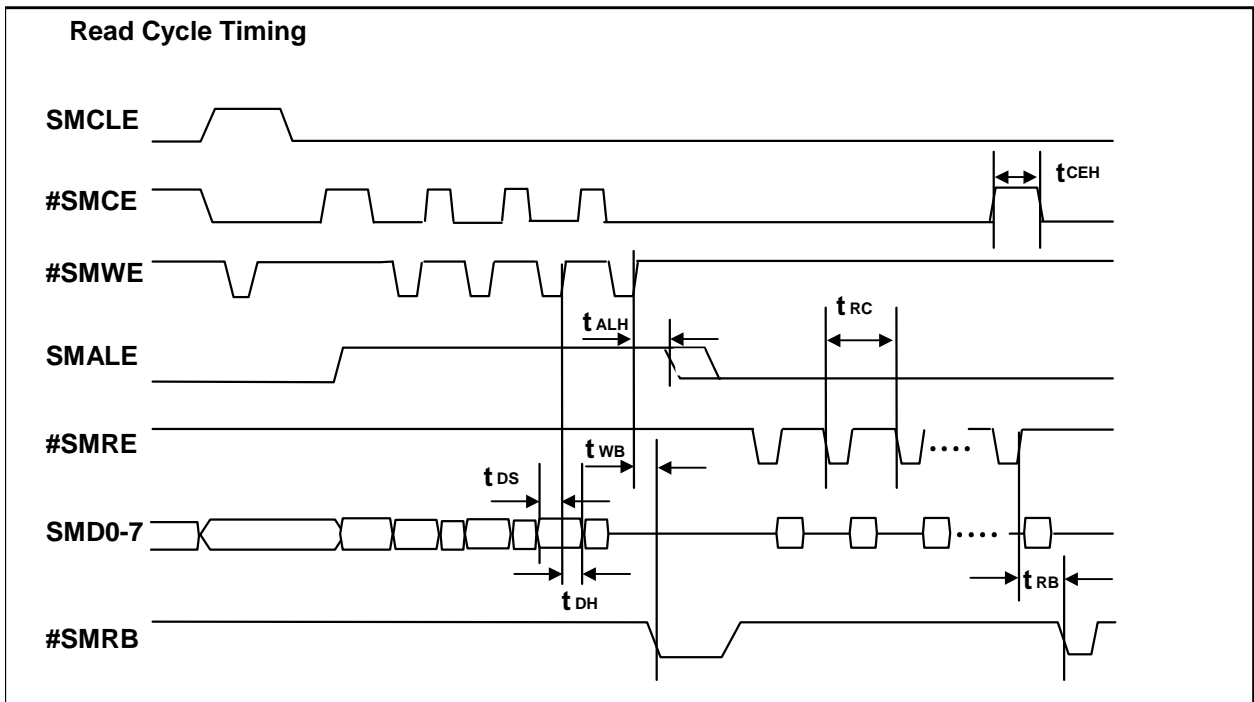
AC Test Conditions

Parameter	3.3V Model
Input Pulse Level	0.4V~2.4V
Input comparison Level	1.5V / 1.5V
Output Data comparison Level	1.5V / 1.5V
Output Load	1TTL Gate and CI=100pF

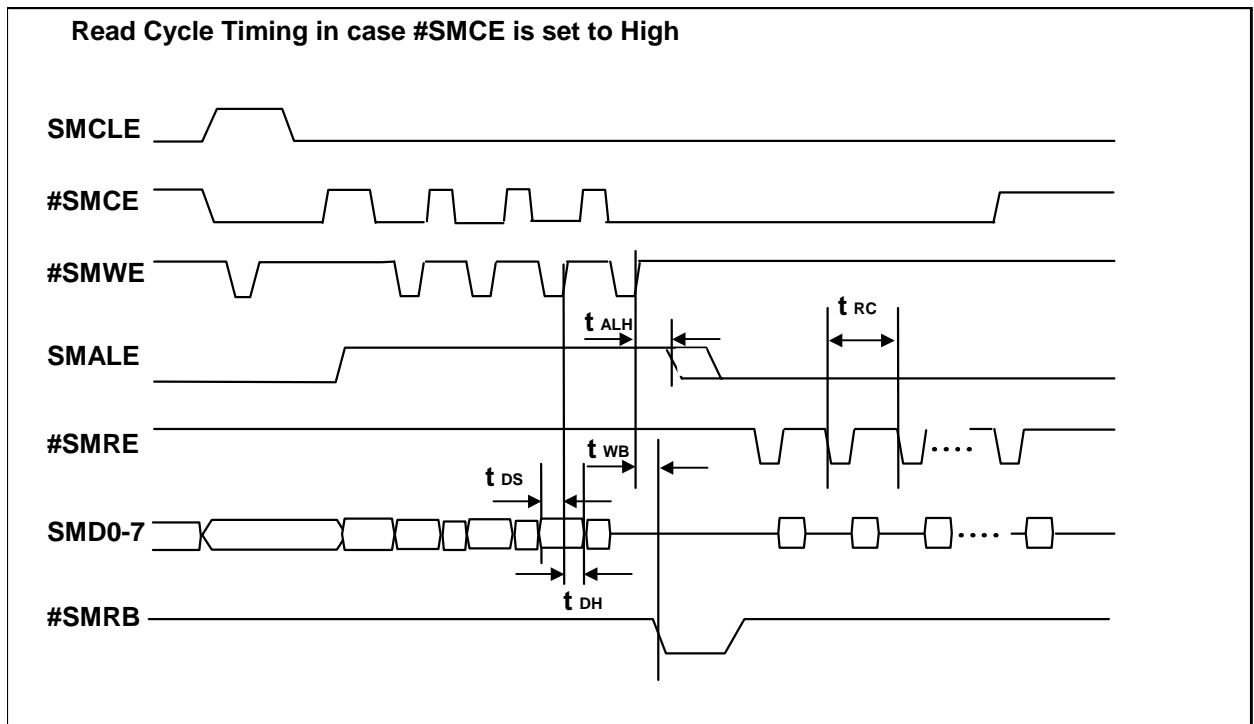




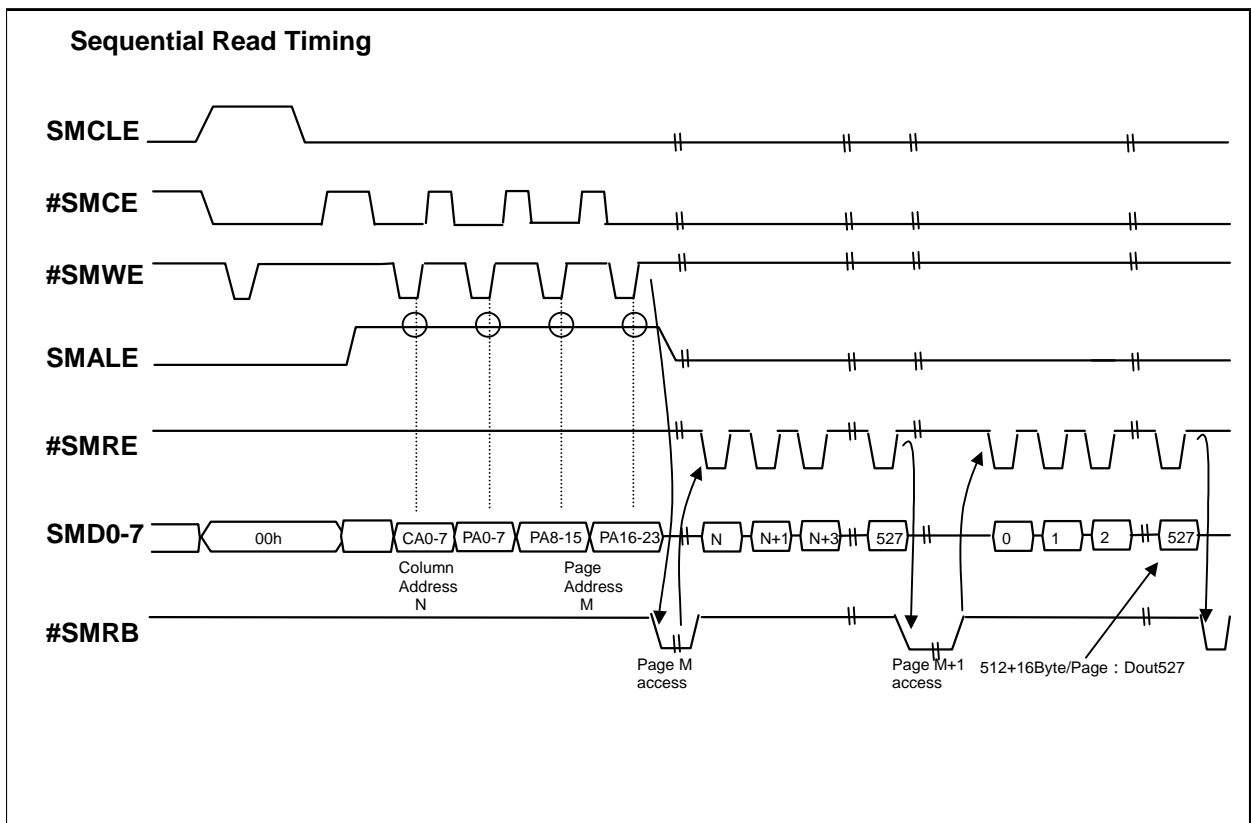
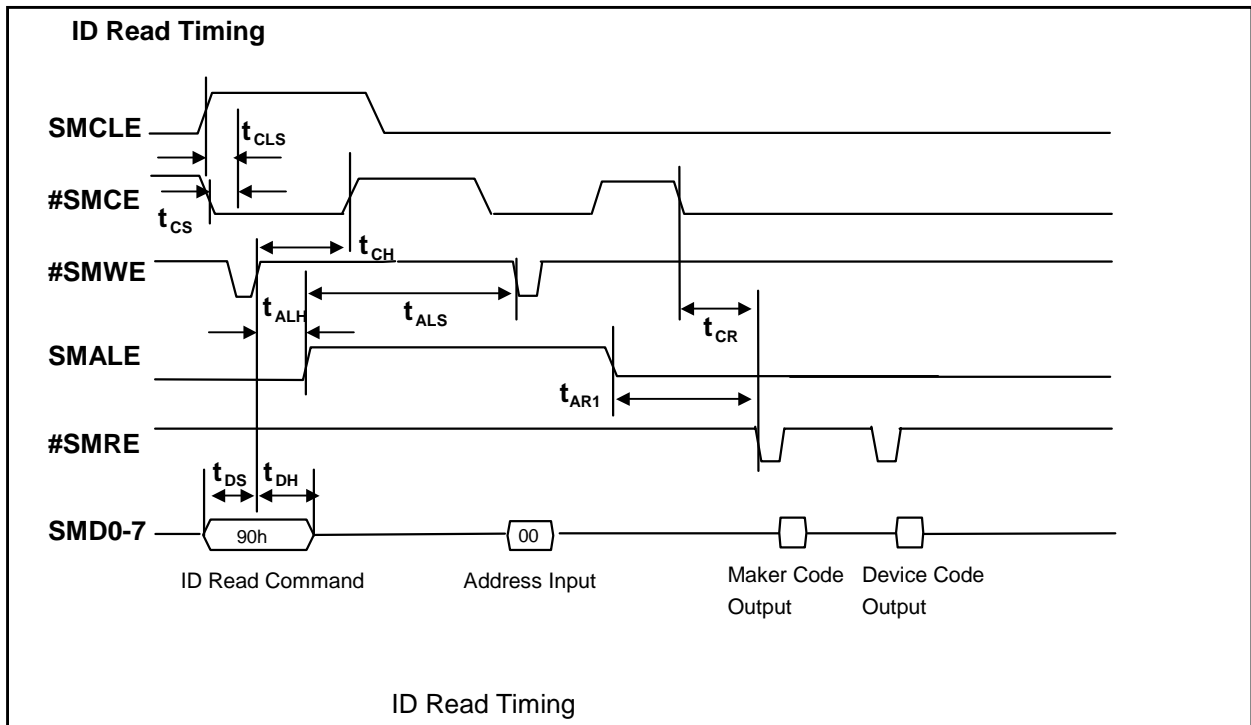


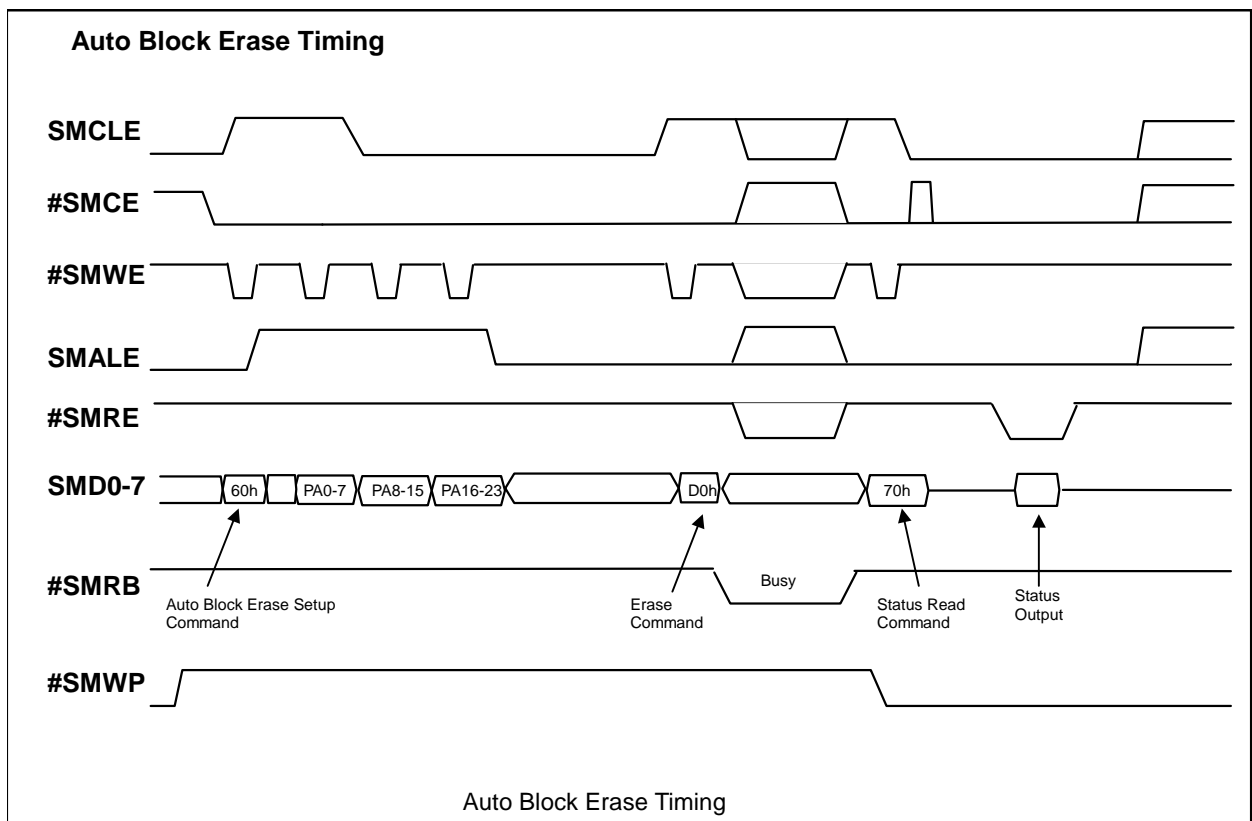
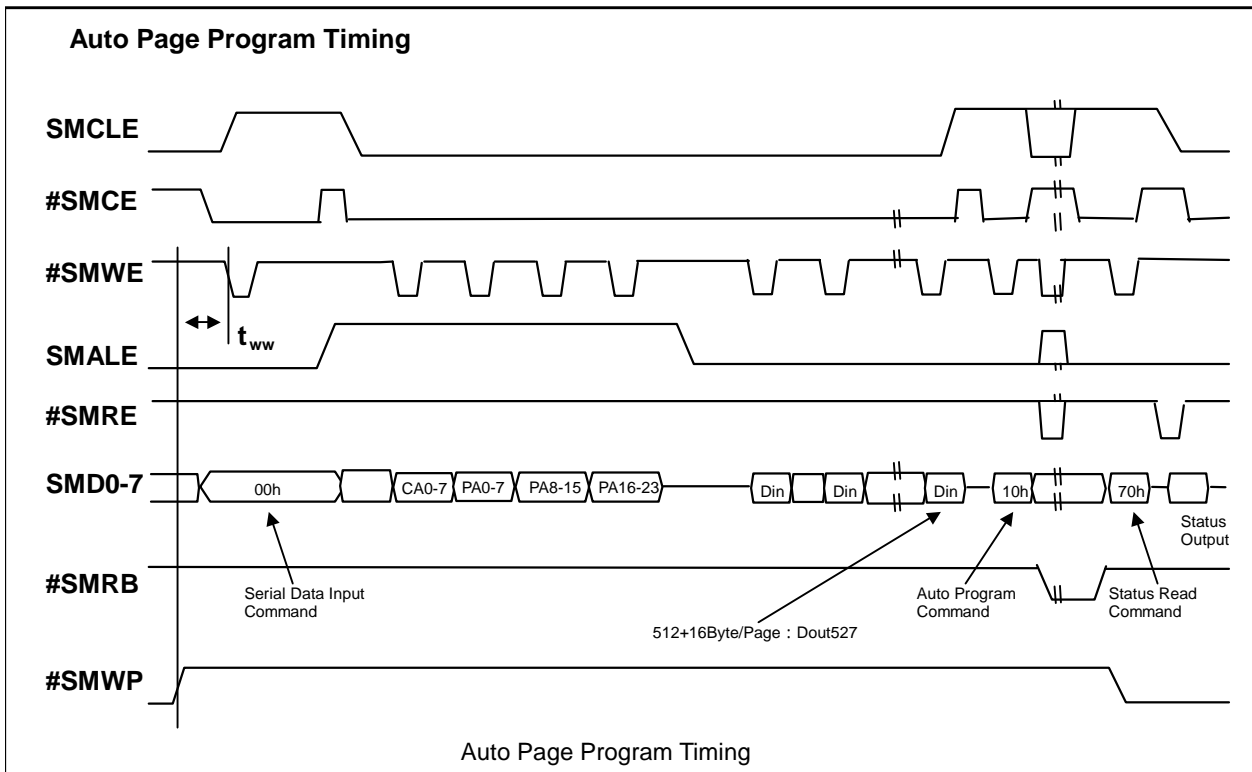


Read Cycle Timing



Read Cycle Timing in case #SMCE is set to High

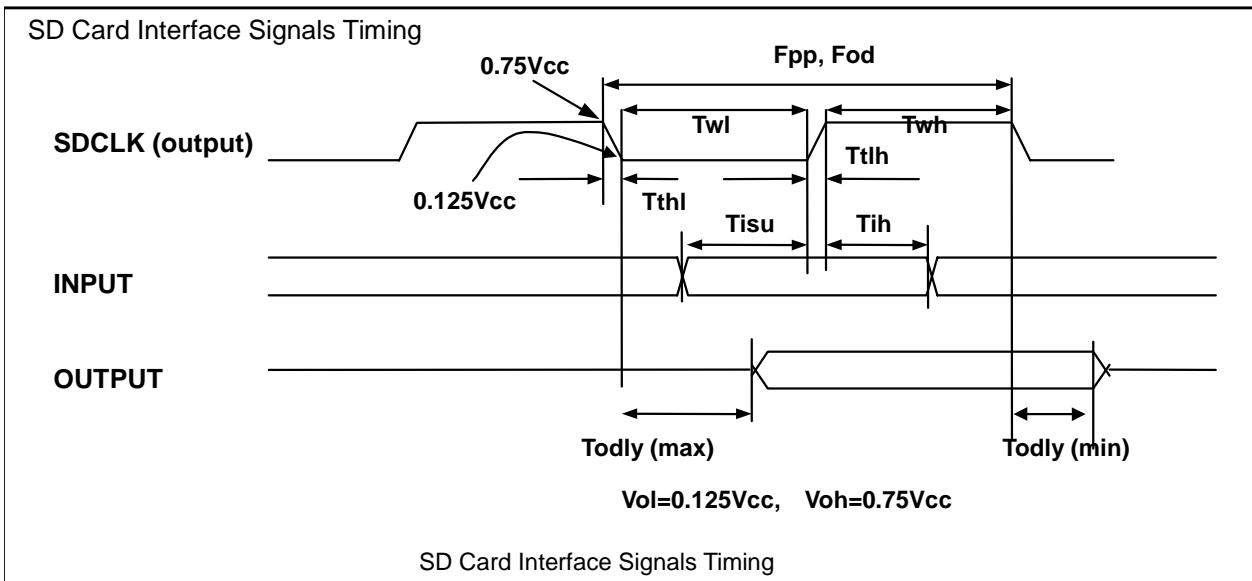




5.3.3 SD Card Interface Signal AC Characteristics

(VCC=3.0-3.6V, Ta=0-70°C)

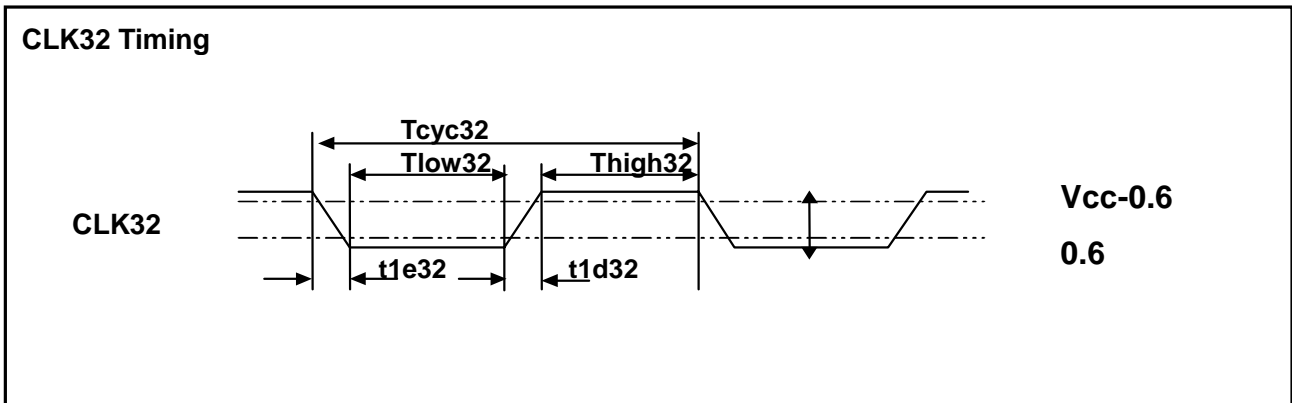
Symbol	Parameter	Min	Max	Unit	Notes
	SDCD[3:0], SDCMD, SDCLK				
Fpp	Clock frequency Data Transfer Mode	0	16	MHz	Cl=25pF
Fod	Clock frequency Identification Mode	0	256	KHz	Cl=25pF
Twl	Clock Low time	30	—	ns	Cl=25pF
Twh	Clock High time	30	—	ns	Cl=25pF
Ttlh	Clock fall time	—	10	ns	Cl=25pF
Tthl	Clock rise time	—	10	ns	Cl=25pF
Tisu	Input set-up time	10	—	ns	Cl=25pF
Tih	Input hold time	10	—	ns	Cl=25pF
Todly	Output delay time	—	25	ns	Cl=25pF



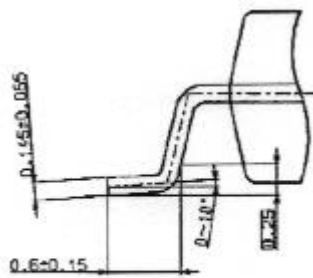
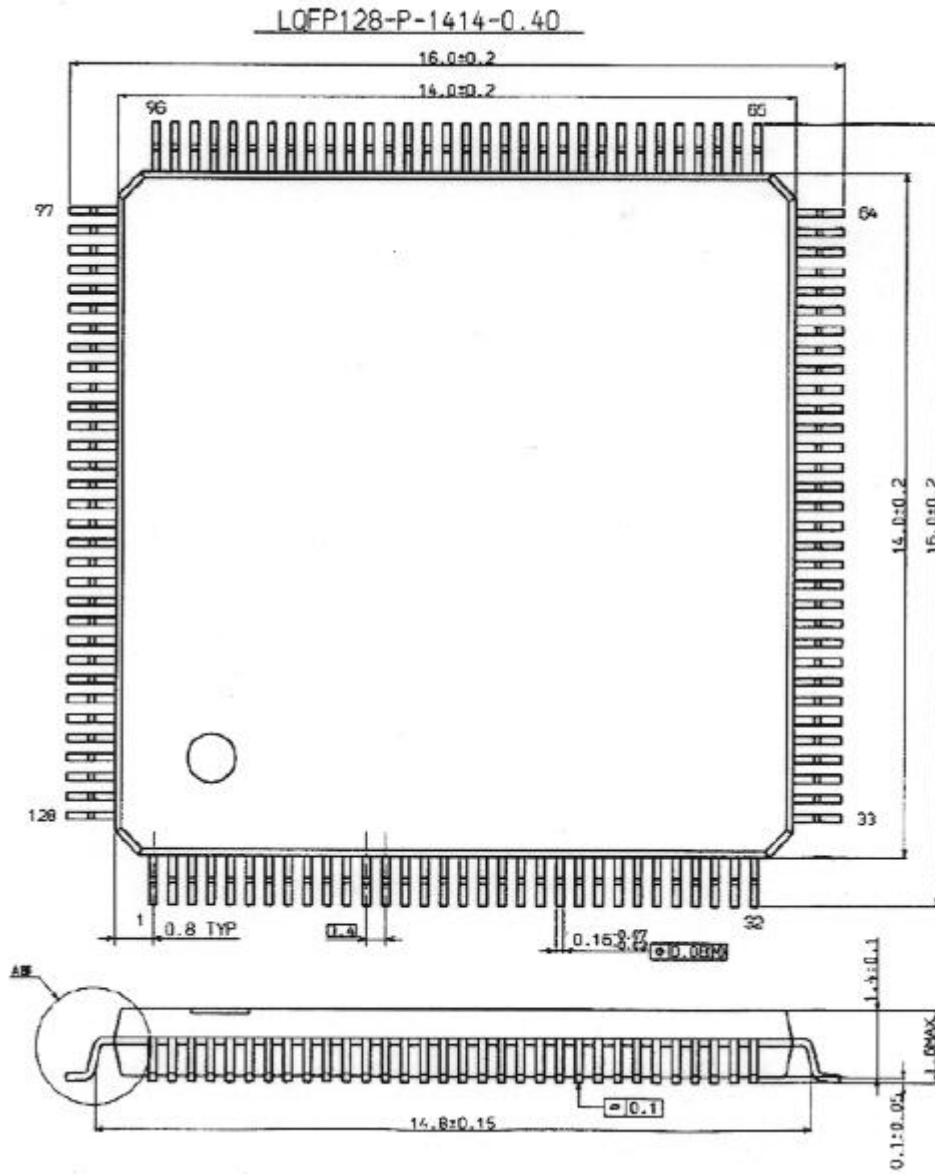
5.3.4 System Interface Signal AC Characteristics

CLK32 AC Characteristics (VCC=3.0-3.6V, Ta=0-70°C)

Symbol	Parameter	Min	Max	Unit	Notes
	CLK32				
Tcyc32	CLK cycle time	31	∞	μs	
Thigh32	CLK High time	11	—	μs	
Tlow32	CLK Low time	11	—	μs	
t1d32	Slew Rate, CLK32 Rising Edge	10	—	ns	
t1e32	Slew Rate, CLK32 Falling Edge	10	—	ns	



6 Package outline



A部詳細図(25/1)

000707EAA1

- TOSHIBA is continually working to improve the quality and reliability of its products. Nevertheless, semiconductor devices in general can malfunction or fail due to their inherent electrical sensitivity and vulnerability to physical stress. It is the responsibility of the buyer, when utilizing TOSHIBA products, to comply with the standards of safety in making a safe design for the entire system, and to avoid situations in which a malfunction or failure of such TOSHIBA products could cause loss of human life, bodily injury or damage to property.
In developing your designs, please ensure that TOSHIBA products are used within specified operating ranges as set forth in the most recent TOSHIBA products specifications. Also, please keep in mind the precautions and conditions set forth in the "Handling Guide for Semiconductor Devices," or "TOSHIBA Semiconductor Reliability Handbook" etc..
- The TOSHIBA products listed in this document are intended for usage in general electronics applications (computer, personal equipment, office equipment, measuring equipment, industrial robotics, domestic appliances, etc.). These TOSHIBA products are neither intended nor warranted for usage in equipment that requires extraordinarily high quality and/or reliability or a malfunction or failure of which may cause loss of human life or bodily injury ("Unintended Usage"). Unintended Usage include atomic energy control instruments, airplane or spaceship instruments, transportation instruments, traffic signal instruments, combustion control instruments, medical instruments, all types of safety devices, etc.. Unintended Usage of TOSHIBA products listed in this document shall be made at the customer's own risk.
- The information contained herein is presented only as a guide for the applications of our products. No responsibility is assumed by TOSHIBA CORPORATION for any infringements of intellectual property or other rights of the third parties which may result from its use. No license is granted by implication or otherwise under any intellectual property or other rights of TOSHIBA CORPORATION or others.
- The information contained herein is subject to change without notice.