

YOUDA INTEGRATED CIRCUIT

TDA1030

TV SOUND POWER AMPLIFIER—TDA1030

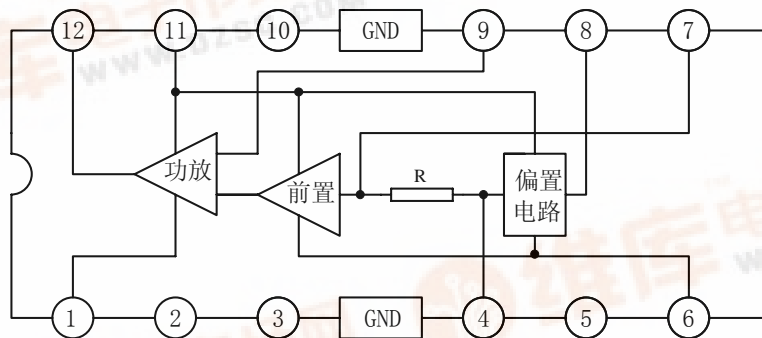
DESCRIPTION

The TDA1030 is a monolithic integrated circuit designed for the TV sound power amplifier. It also can be used in audio power amplifier sets.

FEATURES

- \*Wide operating voltage (9V to 25V)
- \* Few external components
- \*Fixed Closed Loop Gain
- \*High input impedance
- \*Built-in thermal protection circuit
- \*Fine ripple rejection characteristic

BLOCK DIAGRAM



ABSOLUTE MAXIMUM RATINGS (Tamb=25°C)

PARAMETER	SYMBOL	VALUE	UNIT
Supply Voltage	Vcc	9~25	V
Pulse Peak Output Current	Ios	3	A
Peak Output Current(continuously)	Ior	1.5	A
Operating Temperature	Topr	-25 to +75	°C
Storage Temperature	Tstg	-55 to +150	°C

WuXi YouDa Electronics Co., Ltd

Add: No.5 Xijin Road, National Hi-Tech Industrial Development Zone, Wuxi Jiangsu China

Tel: 86-510-85205117 86-510-85205106 Fax: 86-510-5205110 Website: www.e-youda.com

SHENZHEN OFFICE Tel: 86-755-83740369 Fax: 86-755-83741418

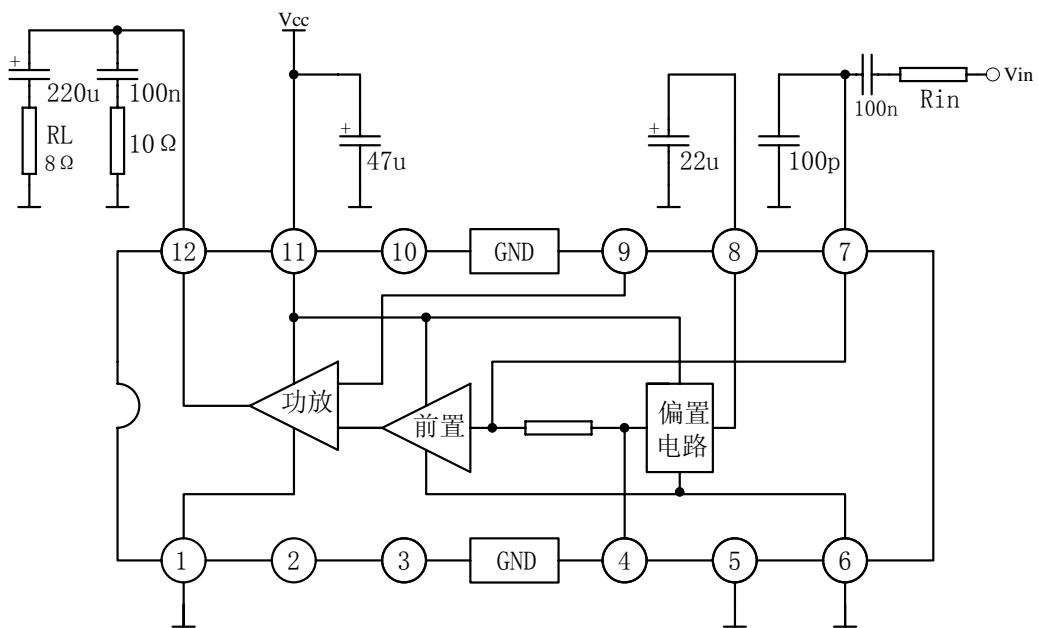


**ELECTRICAL CHARACTERISTICS**

( $T_{amb}=25^{\circ}C$ ,  $V_{cc}=18V$ ,  $R_L=8\Omega$ ,  $f=1kHz$ , Unless otherwise specified)

PARAMETER	SYMBOL	TEST CONDITIONS	MIN	TYP	MAX	UNIT
Quiescent Current	$I_{cc}$	No input Signal	14	25	37	mA
Output Power	$P_o$	THD=10%	3.8	4.0		W
		THD=1%	2.6	2.7		
		$V_{cc}=15V$ , THD=10%	2.4	2.6		
		$V_{cc}=15V$ , THD=1%	1.9	2.0		
Voltage Gain	$G_v$			40		dB
Total Harmonic Distortion	THD	$P_o=2W$		0.3	0.6	%
Noise Output Voltage	$V_{no}$	$R_g=5k\Omega$ , 60HZ~15KHz		0.2	0.5	mV
Input Impedance	$Z_i$			45		$k\Omega$
Supply Voltage Rejection	SVR	$f=100Hz$ , $V_r=0.5V$		37		dB

**APPLICATION CIRCUIT**



OUTLINE DRAWING

**12-DIPH-300**

