

INTEGRATED CIRCUITS

DATA SHEET

TDA8501 **PAL/NTSC encoder**

Preliminary specification
File under Integrated Circuits, IC02

April 1993

PAL/NTSC encoder**TDA8501****FEATURES**

- Two input stages: R, G, B and $-(R-Y)$, $-(B-Y)$, Y with multiplexing
- Chrominance processing, highly integrated, includes low frequency filters for the colour difference signals, and after the modulator a bandpass filter
- Fully controlled modulator produces a signal according to the PAL or NTSC standard without adjustments
- A free running oscillator. Can be tuned by crystal or by an external frequency source
- Output stages with separated Y + SYNC and chrominance (Y + C, SVHS), and a CVBS output. Signal amplitudes are correct for 75 Ω driving via an external emitter follower. Internal generation of NTSC setup
- Sync separator circuit and pulse shaper, to generate the required pulses for the processing, clamping, blanking, FH/2, and burst pulse
- H/2 control pin. In PAL mode the internally generated H/2 is connected to this pin and the phase of this signal can be reset
- Internal bandgap reference.

GENERAL DESCRIPTION

The TDA8501 is a highly integrated PAL/NTSC encoder IC which is designed for use in all applications where R, G and B or Y, U and V signals require transformation to PAL or NTSC values. The specification of the input signals are fully compatible with the specification of those of the TDA8505 SECAM-encoder.

ORDERING INFORMATION

| EXTENDED TYPE NUMBER | PACKAGE | | | |
|----------------------|---------|--------------|----------|--------------------------|
| | PINS | PIN POSITION | MATERIAL | CODE |
| TDA8501 | 24 | DIL | plastic | SOT234AH2 ⁽¹⁾ |
| TDA8501T | 24 | SO | plastic | SOT137AH1 ⁽²⁾ |

Note

1. SOT234-1; 1996 December 2.
2. SOT137-1; 1996 December 2.

PAL/NTSC encoder

TDA8501

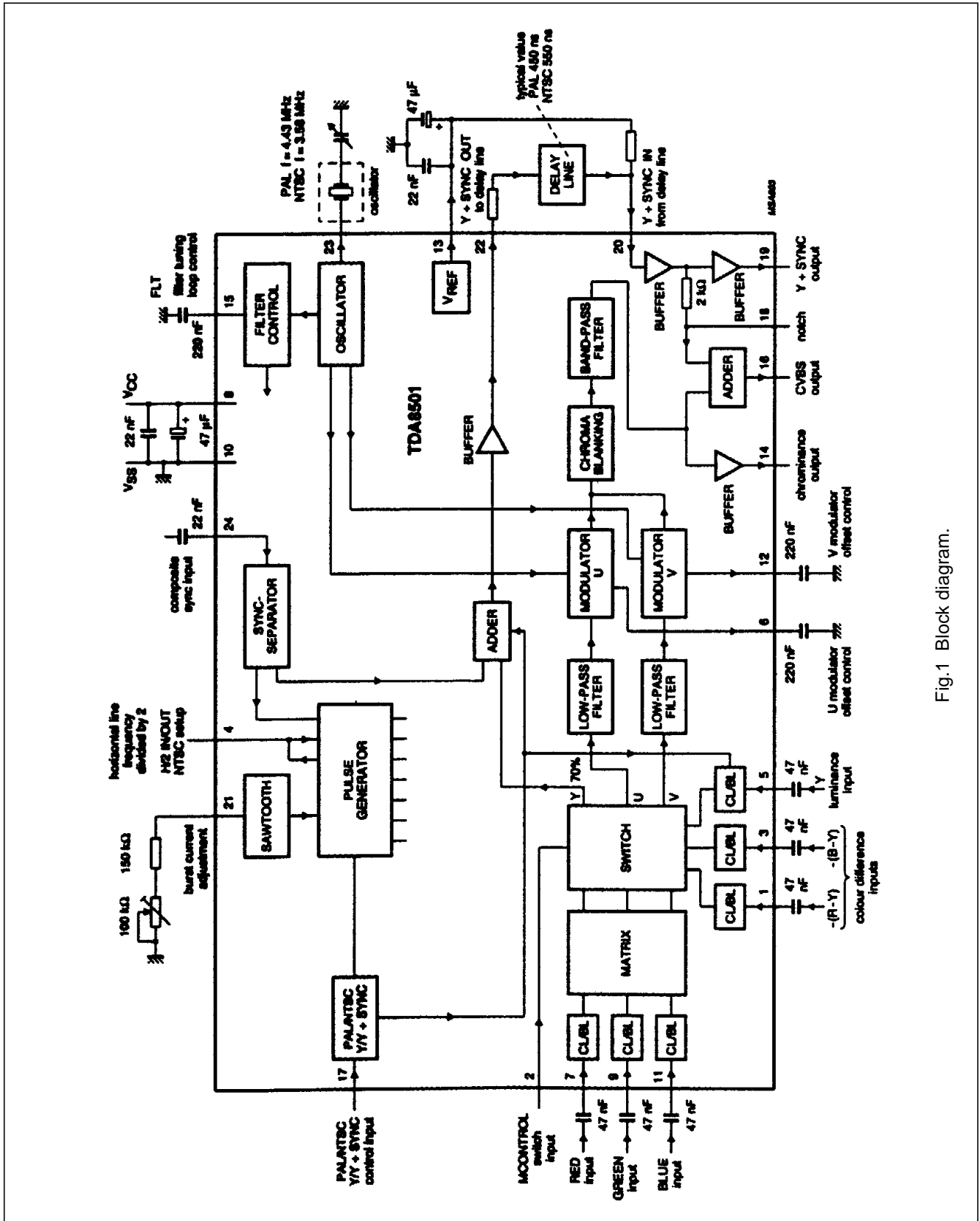


Fig.1 Block diagram.

PAL/NTSC encoder

TDA8501

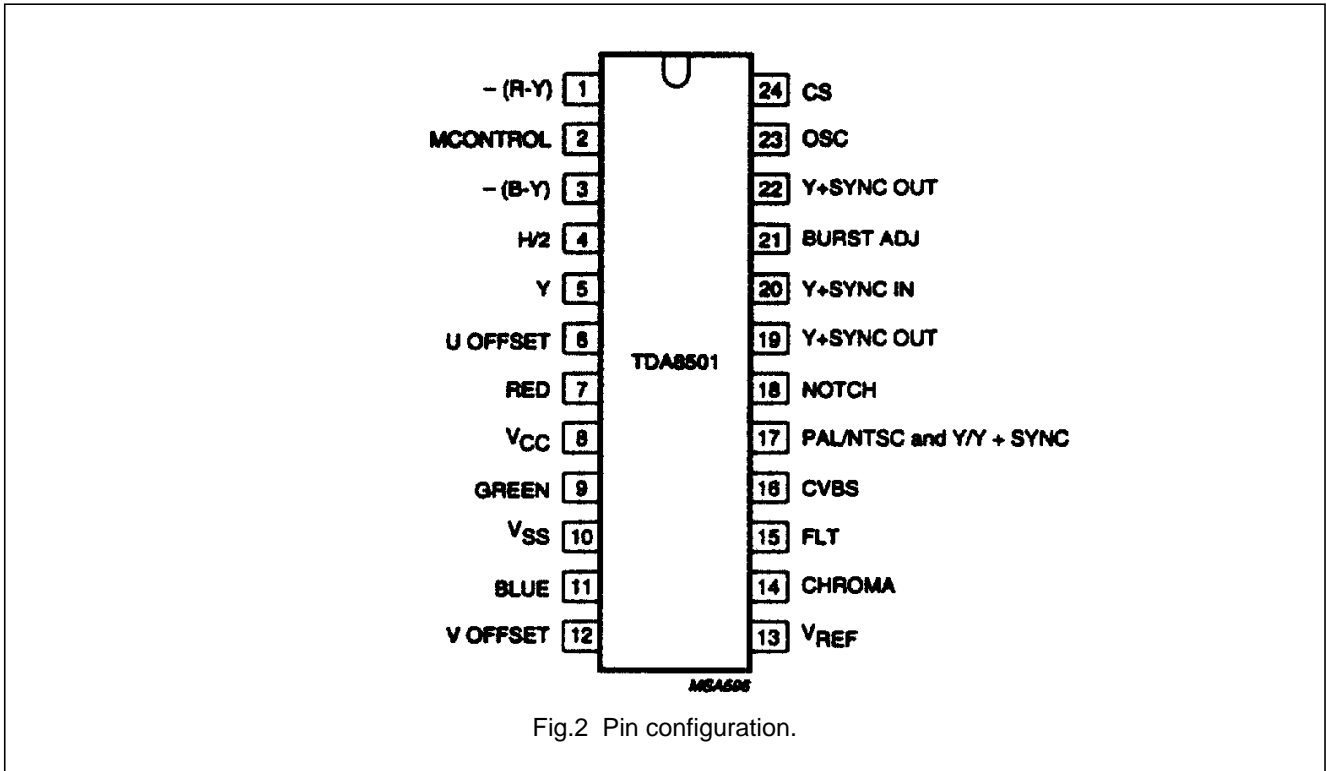


Fig.2 Pin configuration.

PINNING

U and V respectively, are the terms used to describe the colour difference signals at the output of the matrix.

| SYMBOL | PIN | DESCRIPTION |
|------------------|-----|---|
| -(R-Y) | 1 | colour difference input signal, for EBU bar (75%) 1.05 V (p-p) |
| MCONTROL | 2 | multiplexer switch control input; HIGH = RGB, LOW = -(R-Y), -(B-Y), Y |
| -(B-Y) | 3 | colour difference input signal, for EBU bar (75%) 1.33 V (p-p) |
| H/2 | 4 | line pulse input/output divided-by-2 for synchronizing the internal H/2, if not used, this pin dependent on mode selected, is either left open-circuit, or connected to V _{CC} or to ground (note 1) |
| Y | 5 | luminance input signal 1 V nominal without sync |
| U OFFSET | 6 | U modulator offset control capacitor |
| R | 7 | RED input signal for EBU bar of 75% 0.7 V (p-p) |
| V _{CC} | 8 | supply voltage; 5 V nominal |
| G | 9 | GREEN input signal for EBU bar of 75% 0.7 V (p-p) |
| V _{SS} | 10 | ground (0 V) |
| B | 11 | BLUE input signal for EBU bar of 75% 0.7 V (p-p) |
| V OFFSET | 12 | V modulator offset control capacitor |
| V _{REF} | 13 | 2.5 V internal reference voltage output |
| CHROMA | 14 | chrominance output |
| FLT | 15 | filter tuning loop capacitor |
| CVBS | 16 | composite PAL or NTSC output, 2 V (p-p) nominal |

PAL/NTSC encoder

TDA8501

| SYMBOL | PIN | DESCRIPTION |
|-------------------------|-----|---|
| PAL/NTSC and Y/Y + SYNC | 17 | four level control pin (note 2) |
| NOTCH | 18 | Y +SYNC output via an internal resistor of 2 k Ω ; a notch filter can be connected to this pin |
| Y +SYNC OUT | 19 | 2 V (p-p) nominal Y +SYNC output |
| Y +SYNC IN | 20 | Y +SYNC input; (from pin 22) connected to the output of the external delay line |
| BURST ADJ | 21 | burst current adjustment via external resistor |
| Y +SYNC OUT | 22 | Y +SYNC output 1 V (p-p) nominal, connected to the input of the external delay line |
| OSC | 23 | oscillator tuning: connected to either a crystal in series with capacitor to ground, or to an external frequency source via a resistor in series with a capacitor |
| CS | 24 | composite sync input, 0.3 V (p-p) nominal |

Notes

- Pin 4: in PAL mode, if not connected to external H2 pulse, this pin is the output for the internally generated H/2 signal.
Pin 4: in NTSC mode, for internal set-up this pin is connected to ground; when internal set-up is switched off, this pin is connected to V_{CC} .
- The listed voltages connected to pin 17 (if $V_{CC} = +5\text{ V}$) enable the following Y (via pin 5) input signal states:
0 V = PAL mode; at pin 5, Y without sync and input blanking on
5 V = NTSC mode; at pin 5, Y without sync and input blanking on
1.8 V = PAL mode; at pin 5, Y with sync and input blanking off
3.2 V = NTSC mode; at pin 5, Y with sync and input blanking off

PAL/NTSC encoder

TDA8501

FUNCTIONAL DESCRIPTION

The TDA8501 device comprises:

- encoder circuit
- oscillator and filter control
- sync separator and pulse shaper.

Within this functional description, the term Y is used to describe the luminance signal and the terms U and V respectively, are used to describe the colour difference signals.

Encoder circuit**INPUT STAGE**

The input stage of the device uses two signal paths (see Fig.1). Fast switching between the two signal paths is achieved by means of the signal path selection switch MCONTROL (pin 2).

R, B AND G INPUT SIGNALS PATH

One signal path provides the connection for R, G and B signal inputs (via pins 7, 9 and 11) which are connected to a matrix via clamping and line blanking circuits. The signal outputs from the matrix are U, V and Y.

For an EBU colour bar of 75% the amplitude of the signal must be 0.7 V (peak-to-peak):

$$U = 0.493 (B-Y)$$

$$V = 0.877 (R-Y)$$

$$Y = 0.299 R + 0.587 G + 0.114 B$$

When selected (via MCONTROL), the U, V signals from the matrix are routed through the selection switch to the low pass filters. The Y signal from the matrix is routed through the selection switch to the adder and combined with the sync pulse from the sync separator and then connected via a buffer internally to pin 22 (Y + SYNC OUT to delay line).

-(R-Y), -(B-Y) AND Y INPUT SIGNALS PATH

A second signal path provides the connection for negative colour difference signal inputs -(R-Y), -(B-Y) i.e. V, U (via pins 1, 3) and luminance Y (via pin 5), which are routed directly to the switch inputs via clamping and line blanking circuits.

The Y input signal (via pin 5) differs from other signal inputs, in that the timing of the internal clamp is after the sync period.

The amplitude and polarity of these colour difference and luminance input signals are processed to provide suitable switch inputs of U, V and Y signal values.

The condition for 75% colour bar is:

$$\text{pin 1} \quad -(R-Y) = 1.05 \text{ V (peak-to-peak)}$$

$$\text{pin 3} \quad -(B-Y) = 1.33 \text{ V (peak-to-peak)}$$

$$\text{pin 5} \quad Y = 1 \text{ V (peak-to-peak) without sync}$$

When selected (via MCONTROL), the U and V signals (via the switch) are routed to the low pass filters. The Y signal (via the switch) is routed via the adder and buffer to pin 22 (Y + SYNC OUT to delay line). Dependent on pin 17 conditioning, the Y signal may have external or internal sync added (see section Four level control pin).

FOUR LEVEL CONTROL PIN

The Y input signal (via pin 5) is conditioned by use of the 4-level control pin (pin 17) to emulate either the PAL or NTSC modes, with sync and input blanking off or without sync and input blanking on.

Pin 17 may be hard wire connected to either ground (LOW for PAL mode) or V_{CC} (HIGH for NTSC mode). External resistors can further modify the voltage level input at pin 17 to condition (pin 5) Y with sync and input blanking off or Y without sync and input blanking on. (see section PAL/NTSC and Y/Y + SYNC).

U AND V SIGNALS

In PAL and NTSC modes the U and V (colour difference) signals at the output of the switch are configured differently as follows:

PAL mode:

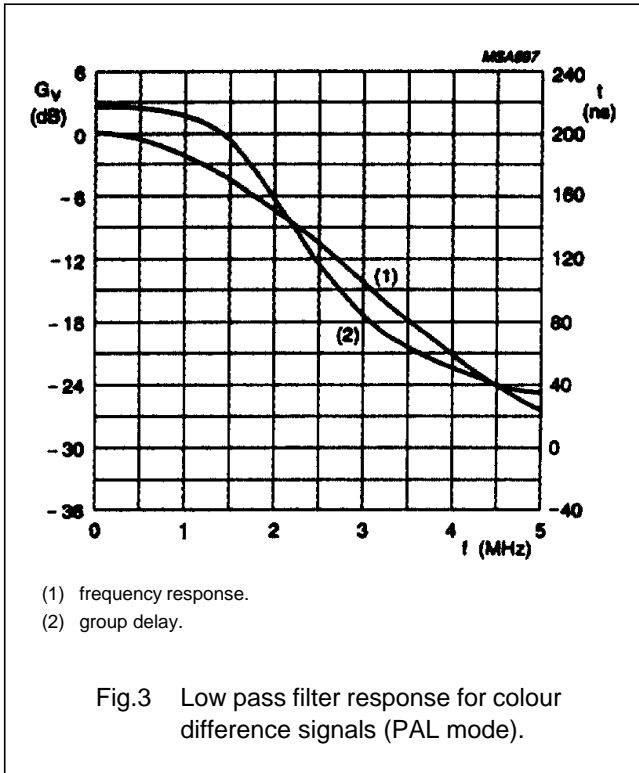
- after the adding of the burst pulse to U and V, these signals are connected to the input of the low pass filters. During the vertical sync period the burst pulse is suppressed.

NTSC mode:

- the burst pulse is only added to U and the gain of the U and V signals is 0.95 of the gain in PAL mode. During the vertical sync period the burst pulse is suppressed.

PAL/NTSC encoder

TDA8501



Low pass filters

The -3dB nominal frequency response level of the low pass filters are different in PAL and NTSC modes.

PAL mode: bandwidth = 1.35 MHz nominal (see Fig.3).

NTSC mode: bandwidth = 1.1 MHz nominal (see Fig.4).

The signal outputs of the low pass filters are connected to the signal inputs of the U and V modulators.

U AND V MODULATORS

Two four-quadrant multipliers are used for quadrature amplitude modulation of the U and V signals. The level of harmonics produced by the modulated signals are minimal, because of real multiplication with sinewave carriers.

The unbalance of the modulators is minimized by means of a control loop and two external capacitors, pin 6 for the U modulator and pin 12 for the V modulator. The timing of the control loop is triggered by the H/2 pulse, so that during one sync period the U control is active and during the next sync period the V control is active. In this way, when U and V are both zero, the suppressed carrier is guaranteed to be at a low level.

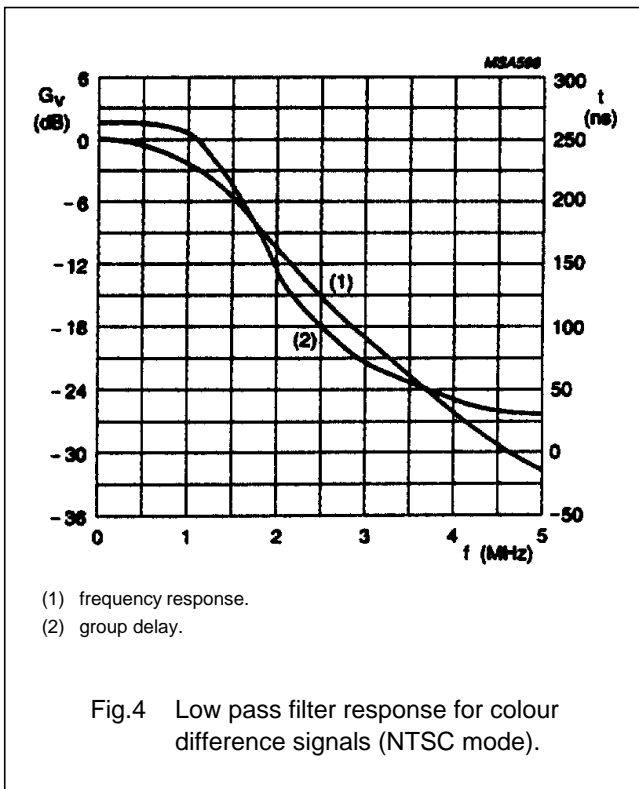
The internal oscillator circuit generates two sinewave carriers (0 degree and 90 degree). The '0 degree' (0) carrier is connected to the U modulator and the '90 degree' (1) carrier is connected to the V modulator.

PAL mode:

- switched sequentially by the H/2 pulse, the V signal is modulated alternately with the direct and inverse carrier.
- the internal H/2 pulse can be forced into a specific phase by means of an external pulse connected to pin 4 (H/2). Forcing is active at HIGH level. If not used pin 4 can be left open-circuit or connected to ground. If pin 4 is left open, the internally generated H/2 pulse (output) is connected to this pin.

NTSC mode:

- alternation of the V modulation is not allowed. If pin 4 is not used for set-up control (see Y +SYNC, CVBS and Chrominance outputs), it can be left open-circuit or connected to ground.



PAL/NTSC encoder

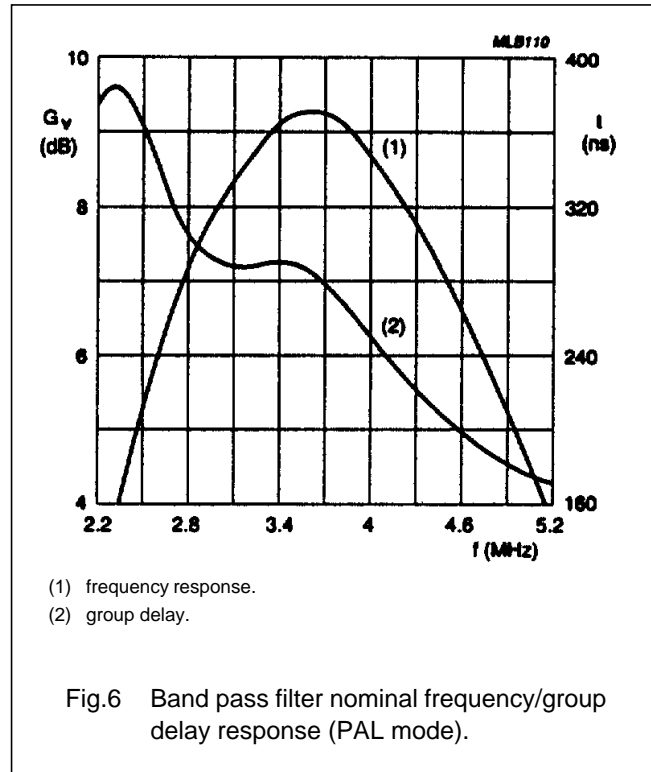
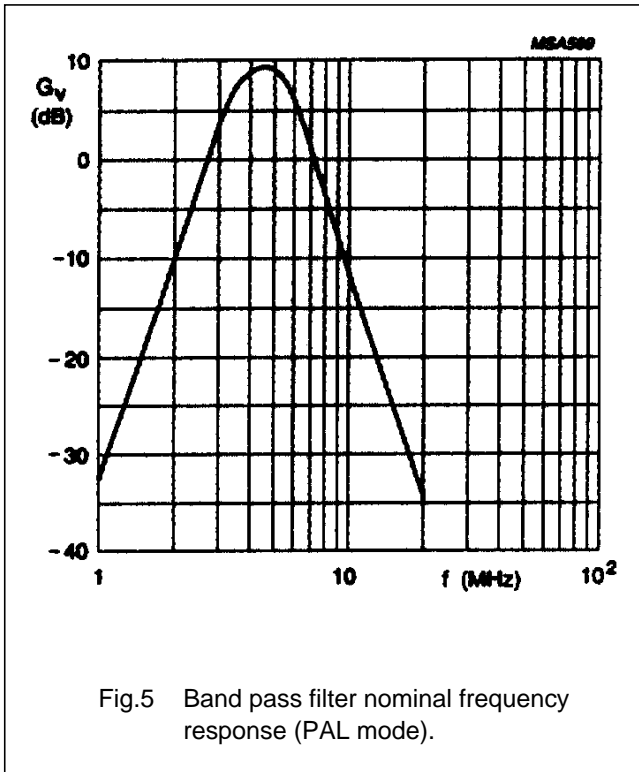
TDA8501

CHROMINANCE BLANKING

The signal outputs from the modulators are connected to the signal input of the chrominance blanking circuit. To avoid signal distortion that may be caused by the control loop, the signal outputs of the modulators are blanked during the sync period. This prevents signal distortion during the adding of the sync pulse at the CVBS output circuit.

BANDPASS FILTER

A wide symmetrical bandpass filter is used so that a maximum performance of the chrominance for Y +C (SVHS) is guaranteed. This wide curve is possible because of the minimal signal level of the harmonics within the modulators see Figs (PAL mode: 5 and 6); (NTSC mode: 7 and 8) which illustrate the nominal response for PAL and NTSC modes.



PAL/NTSC encoder

TDA8501

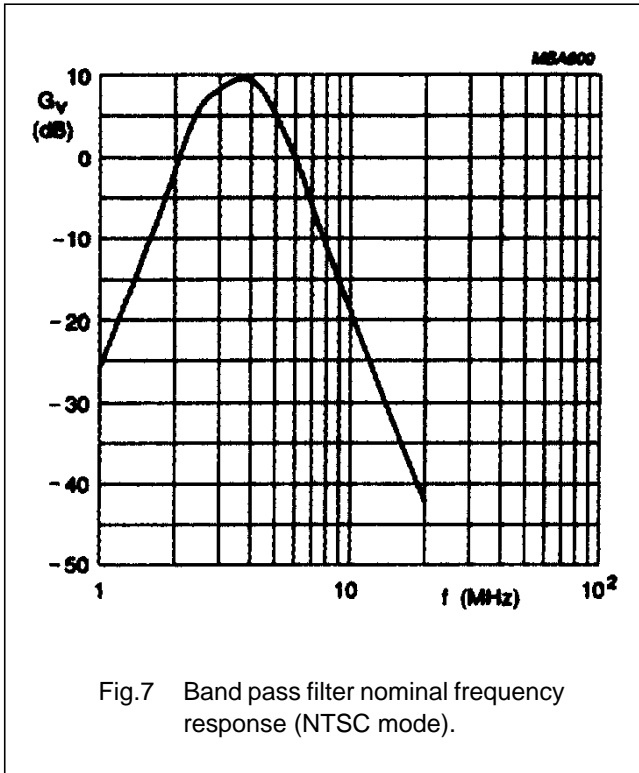
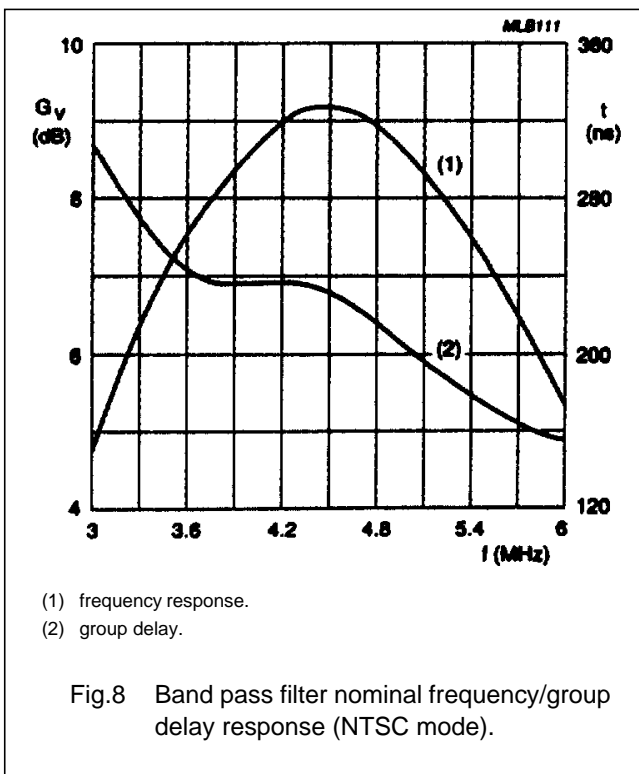


Fig.7 Band pass filter nominal frequency response (NTSC mode).



- (1) frequency response.
- (2) group delay.

Fig.8 Band pass filter nominal frequency/group delay response (NTSC mode).

Y + SYNC, CVBS AND CHROMINANCE OUTPUTS

The Y signal from the matrix, or the Y signal from pin 5, (selected via the switch) is added with the composite sync signal of the sync separator (dependent on pin 17 conditioning). The output of the adder, nominal 1 V (peak-to-peak), is connected to pin 22 (see Fig.1). Pin 22 is connected to an external delay line.

The delay line is necessary for correct timing of the Y + SYNC signal with the chrominance signal. The output resistor of the delay line is connected to V_{REF} (pin 13). The output of the external delay line is connected to (input) pin 20.

The Y + SYNC (delayed) input signal at pin 20 is amplified via a buffer to a level of 2 V (peak-to-peak) nominal and connected to pin 19 (Y + SYNC output).

The Y + SYNC (delayed) input signal at pin 20 is also connected via an internal resistor of 2 k Ω to the input of the CVBS adder stage. After the internal resistor of 2 k Ω , and before the input of the CVBS adder, an external notch filter can be connected via pin 18.

The chrominance output of the bandpass filter is added with Y + SYNC signal via the CVBS adder. The CVBS (combined video and blanking signal) output of the adder is connected to pin 16 with a nominal amplitude of 2 V (peak-to-peak).

The chrominance output of the bandpass filter is amplified via a buffer and connected to pin 14. The chrominance amplitude corresponds with the value of Y + SYNC signal output at pin 19. Together both outputs give the Y + C (SVHS) signals.

BLACK AND BLANKING LEVELS IN PAL AND NTSC MODES

PAL mode: Fig.9 illustrates the nominal Y + SYNC signal at pin 22, the difference between black and blanking level is 0 mV.

NTSC mode: Fig.10 illustrates the nominal Y + SYNC signal at pin 22, the difference between black and blanking level is 53 mV.

Because of the difference between the black and blanking level in the NTSC mode, there are two options for NTSC.

PAL/NTSC encoder

TDA8501

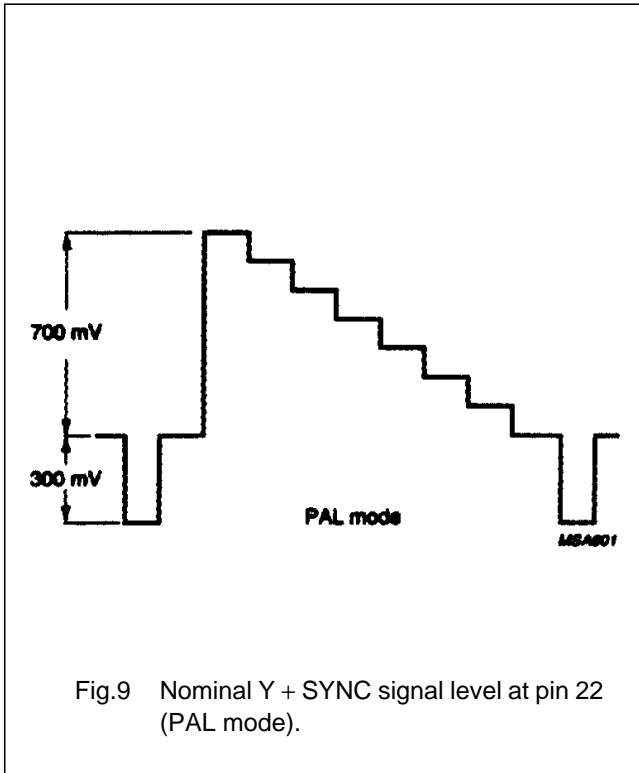


Fig.9 Nominal Y + SYNC signal level at pin 22 (PAL mode).

NTSC option with internal set-up generation

Pin 4 connected to ground or left open-circuit. The set-up is generated internally and the input signals have the values already specified in section Input stage. The set-up is not suppressed during vertical sync.

NTSC option without internal set-up generation

Pin 4 connected to V_{CC} . This option places some restrictions on the input signals as follows:

- if the output signal must be according to the NTSC standard, the input signals must be generated with a specific set-up level
- for R, G and B inputs a set-up level of 53 mV is required, therefore the specified amplitude must be 753 mV (peak-to-peak) instead of 700 mV (peak-to-peak)
- for U, V and Y inputs a set-up level for Y of 76 mV is required, therefore the specified amplitude must be 1076 mV (peak-to-peak) (without sync) instead of 1 V (peak-to-peak). This option, combined with U, V and Y inputs, is not possible if V_{CC} is < 4.75 V.

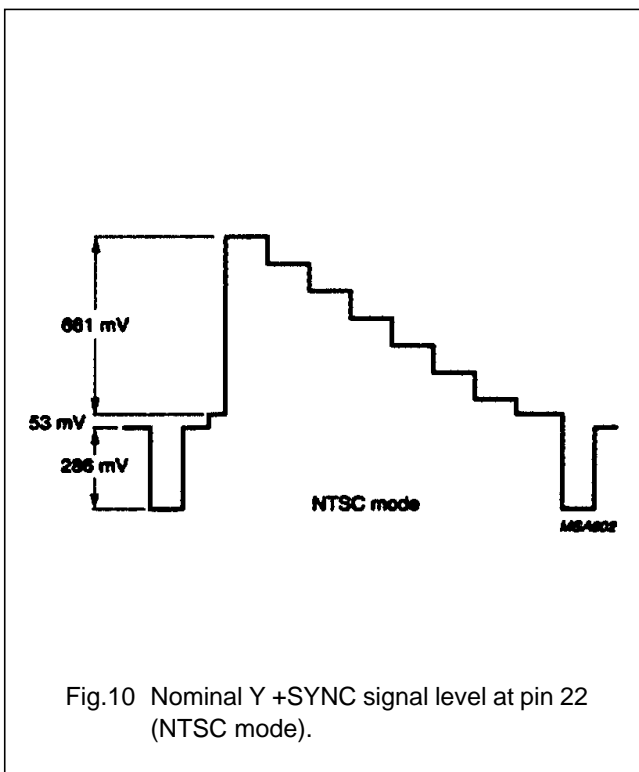


Fig.10 Nominal Y + SYNC signal level at pin 22 (NTSC mode).

PAL/NTSC encoder

TDA8501

Oscillator and Filter Control

The internal crystal oscillator is connected to pin 23 which provides for the external connection of a crystal in series with a trimmer to ground. It is possible to connect an external signal source to pin 23, via a capacitor in series with a resistor. The signal shape is not important. Figure 11 shows the external components connected to pin 23 and the required conditions. The minimum AC current of $50 \mu\text{A}$ must be determined by the resistors (R_{int} and R_{ext}) and the voltage of the signal source. For example, in this way an external sub-carrier, locked to the sync, can be used.

PAL mode: frequency of the oscillator is
4.433618 MHz.

NTSC mode: frequency of the oscillator is
3.579545 MHz.

The -3 dB of the low pass filters and the centre frequency of the bandpass filter are controlled by the filter control loop and directly coupled to the value of the frequency of the oscillator. The external capacitor of the control loop is connected to pin 15.

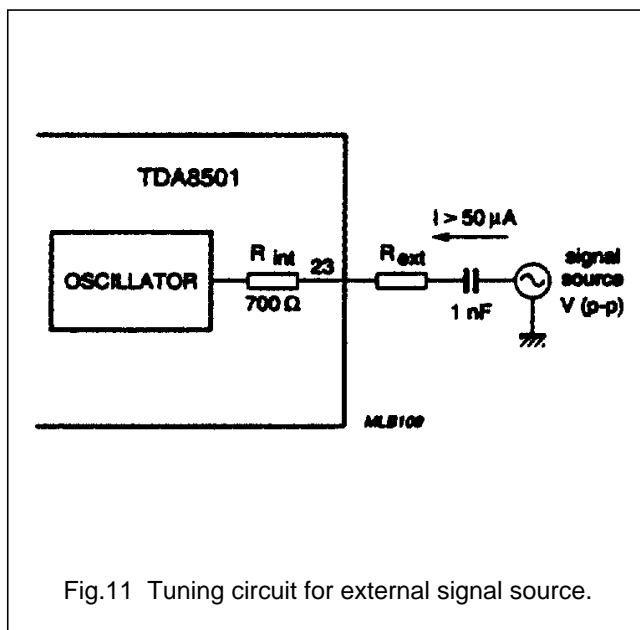


Fig.11 Tuning circuit for external signal source.

Sync separator and Pulse shaper

The composite sync (CS) input at pin 24 (via the sync separator) together with a sawtooth generator provide the source for all pulses necessary for the processing.

Pulses are used for:

- clamping
- video blanking
- H/2
- chrominance blanking
- burst pulse generation for adding to U, V
- pulses for the modulator offset control.

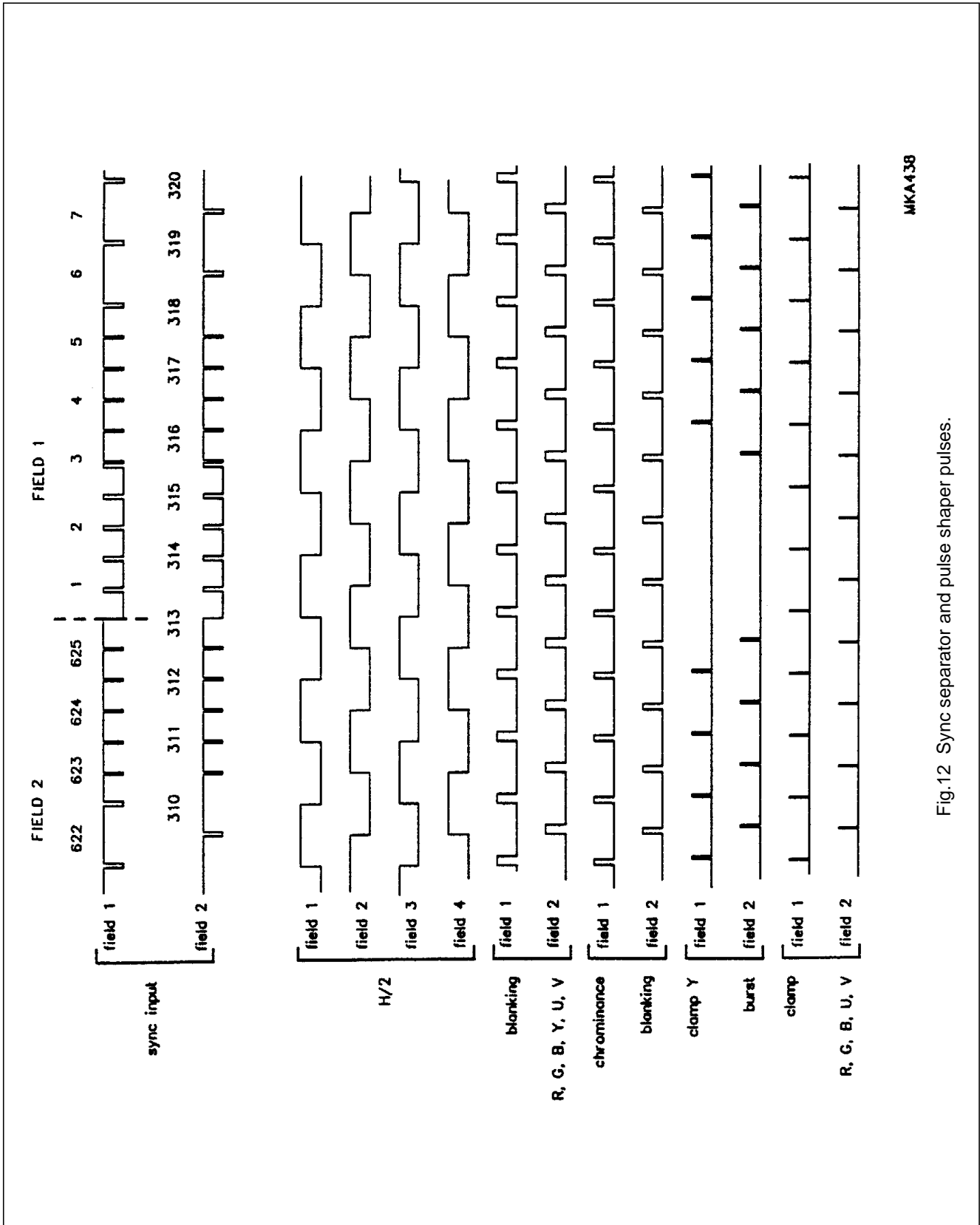
The value of the sawtooth generator output (current) is determined by the value of a fixed resistor to ground which is connected externally at pin 21 (BURST ADJ). When finer tolerance of the burst position is required, the fixed resistor is connected in series with a variable potentiometer to ground. By use of the potentiometer the burst position at the outputs can be finely adjusted, after which the pulse width of the burst and the position and pulse width of all other internal pulses are then determined. When using a fixed resistor with a tolerance of 2%, a tolerance of 10% of the burst position can be expected. Timing diagrams of the pulses are provided by Figs 12 and 13.

H/2 at pin 4 is only necessary in the PAL mode when the internal H/2 pulse requires locking with an external H/2 phase (two or more encoders locked in same phase). The forcing of the internal H/2 to a desired phase is possible by means of an external pulse. Forcing is active at HIGH level.

For the functioning of Pin 4 in the NTSC mode see also section Black and Blanking levels in PAL and NTSC modes.

PAL/NTSC encoder

TDA8501



MKA438

Fig.12 Sync separator and pulse shaper pulses.

PAL/NTSC encoder

TDA8501

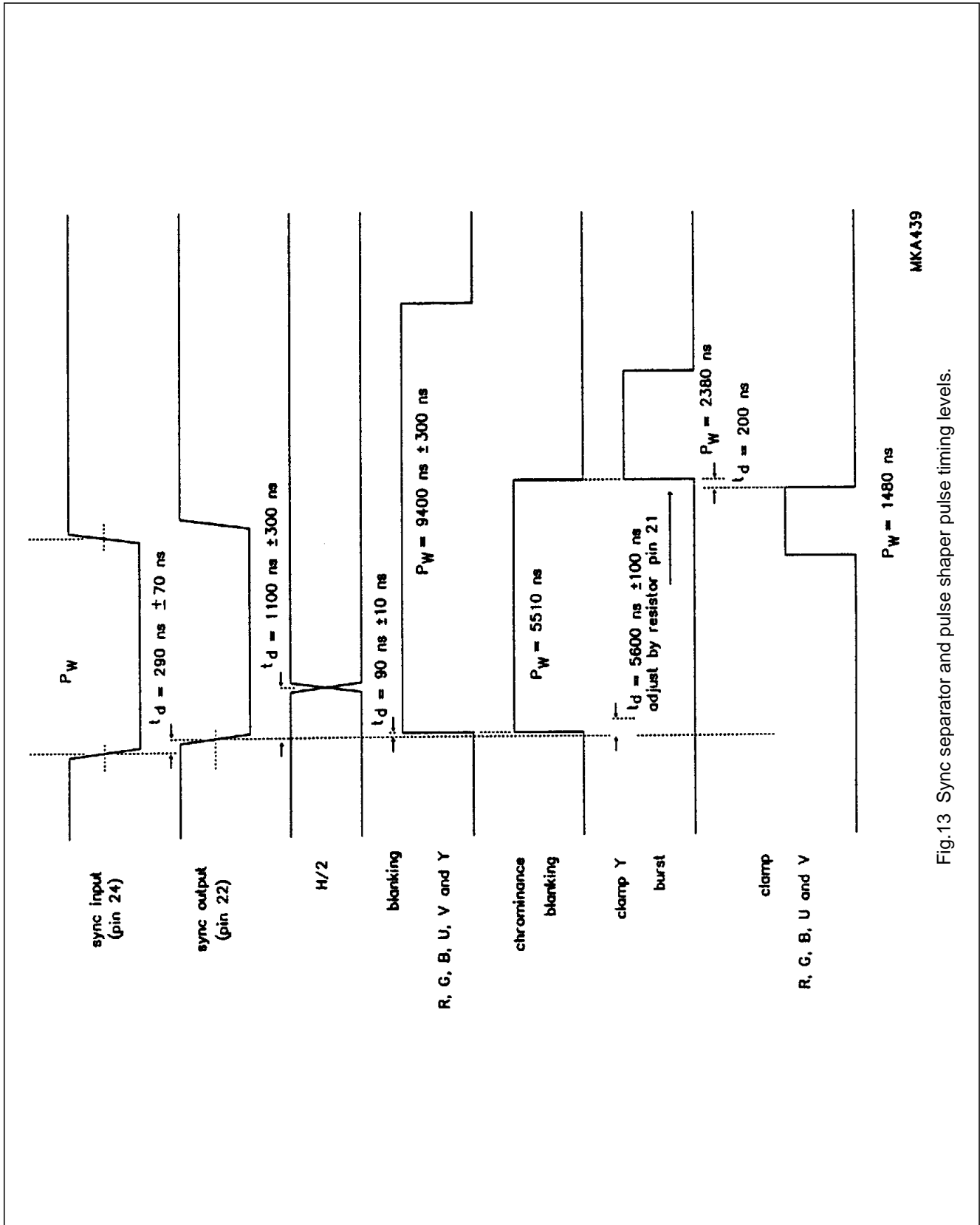


Fig.13 Sync separator and pulse shaper pulse timing levels.

PAL/NTSC encoder

TDA8501

PAL/NTSC and Y/Y + SYNC

Pin 17 is used as a four level control pin to condition the Y/Y + SYNC input signal (via pin 5). Pin 17 is normally connected to ground for PAL mode, or to V_{CC} for the NTSC mode. By use of external resistors (potential divider connected to pin 17), the input blanking at pin 5 can be switched on and off. (see Table 1 and Fig 14).

Table 1 PAL/NTSC Y/Y +SYNC pin 5 options (pin 17 connection configurations).

| MODE | PIN 5 STATUS | PIN 17 CONNECTION REQUIREMENT |
|------|--------------------------------------|---|
| PAL | Y without sync and input blanking on | pin 17 LOW, connected to V_{SS} |
| NTSC | Y without sync and input blanking on | pin 17 HIGH, connected to V_{CC} |
| PAL | Y with sync and input blanking off | pin 17 with 39 k Ω connected to V_{CC} and 22 k Ω connected to V_{SS} |
| NTSC | Y with sync and input blanking off | pin 17 with 22 k Ω connected to V_{CC} and 39 k Ω connected to V_{SS} |

LIMITING VALUES

In accordance with the Absolute Maximum System (IEC134); all voltages referenced to V_{SS} (pin 10).

| SYMBOL | PARAMETER | MIN. | MAX. | UNIT |
|-----------|-------------------------------|------|------|--------------------|
| V_{CC} | positive supply voltage | 0 | 5.5 | V |
| T_{stg} | storage temperature | -65 | +150 | $^{\circ}\text{C}$ |
| T_{amb} | operating ambient temperature | -25 | +70 | $^{\circ}\text{C}$ |

THERMAL RESISTANCE

| SYMBOL | PARAMETER | THERMAL RESISTANCE |
|---------------|--|--------------------|
| $R_{th\ j-a}$ | from junction to ambient in free air SOT234 SOT137 | 66 K/W 75 K/W |

DC CHARACTERISTICS

$V_{CC} = 5\text{ V}$; $T_{amb} = 25\text{ }^{\circ}\text{C}$; all voltages referenced to ground (pin 10); unless otherwise specified.

| SYMBOL | PARAMETER | CONDITIONS | MIN. | TYP. | MAX. | UNIT |
|-----------------------|-----------------------------------|------------|-------|------|-------|------|
| Supply (pin 8) | | | | | | |
| V_{CC} | supply voltage | | 4.5 | 5.0 | 5.5 | V |
| I_{CC} | supply current | | - | 40 | - | mA |
| P_{tot} | total power dissipation | | - | 200 | - | mW |
| V_{REF} | reference voltage output (pin 13) | | 2.425 | 2.5 | 2.575 | V |

PAL/NTSC encoder

TDA8501

AC CHARACTERISTICS

$V_{CC} = 5\text{ V}$; $T_{amb} = 25\text{ °C}$; composite sync signal connected to pin 24; unless otherwise specified.

| SYMBOL | PARAMETER | CONDITIONS | MIN. | TYP. | MAX. | UNIT |
|---|--|-------------------------------------|------|----------|------|---------------|
| Encoder circuit | | | | | | |
| Input stage (pins 1, 3, 5, 7, 9 and 11); black level = clamping level | | | | | | |
| $V_{n(max)}$ | maximum signal from black level positive | | – | 1.2 | – | V |
| $V_{n(min)}$ | from black level negative | only pins 1, 3 and 5 | – | 0.9 | – | V |
| I_{bias} | input bias current | $V_I = V_{13}$ | – | – | < 1 | μA |
| V_I | input voltage clamped | input capacitor connected to ground | tbf | V_{13} | tbf | V |
| $ Z_I $ | input clamping impedance | | | | | |
| | | $I_I = 1\text{ mA}$ | – | 80 | – | Ω |
| | | $I_O = 1\text{ mA}$ | – | 80 | – | Ω |
| | matrix and gain tolerance of R, G and B signals | | – | – | < 5 | % |
| G | gain tolerance of Y, $-(R-Y)$ and $-(B-Y)$ | | – | – | < 5 | % |
| MCONTROL (pin 2; note 1) | | | | | | |
| V_{IL} | LOW level input voltage Y, $-(R-Y)$ and $-(B-Y)$ | | 0 | – | 0.4 | V |
| V_{IH} | HIGH level input voltage R, G and B | | 1 | – | 5 | V |
| I_I | input current | | – | – | –3 | μA |
| t_{sw} | switching time | | – | 50 | – | ns |
| U modulator offset control (pin 6) | | | | | | |
| V_6 | DC voltage control level | | – | 2.5 | – | V |
| I_{LI} | input leakage current | | – | – | 100 | nA |
| V_{LL} | limited level voltage LOW | | – | 1.8 | – | V |
| V_{HL} | limited level voltage HIGH | | – | 3.2 | – | V |
| V modulator offset control (pin 12) | | | | | | |
| V_{12} | DC voltage control level | | – | 2.5 | – | V |
| I_{LI} | input leakage current | | – | – | 100 | nA |
| V_{LL} | limited level voltage LOW | | – | 1.8 | – | V |
| V_{HL} | limited level voltage HIGH | | – | 3.2 | – | V |
| Y + SYNC (pin 22 out to delay circuit) | | | | | | |
| R_O | output resistance | | – | – | < 25 | Ω |
| I_{sink} | maximum sink current | | 350 | – | – | μA |
| I_{source} | maximum source current | | 1000 | – | – | μA |
| V_{BL} | black level output voltage | | – | 2.5 | – | V |

PAL/NTSC encoder

TDA8501

| SYMBOL | PARAMETER | CONDITIONS | MIN. | TYP. | MAX. | UNIT |
|--|---|--|------|------|------|------|
| PAL mode; pin 17 = 0 V | | | | | | |
| V _{SYNC} | sync voltage amplitude | | 285 | 300 | 315 | mV |
| V _Y | Y voltage amplitude | | 665 | 700 | 735 | mV |
| V _{DIF} | difference between black and blanking level | | – | 0 | – | mV |
| NTSC mode; pin 17 = 5 V and pin 4 open-circuit or ground | | | | | | |
| V _{SYNC} | sync voltage amplitude | | 270 | 286 | 300 | mV |
| V _Y | Y voltage amplitude | | 628 | 661 | 694 | mV |
| V _{DIF} | difference between black and blanking level | | – | 53 | – | mV |
| BW | frequency response | pin 22 with external load of R = 10 kΩ and C = 10 pF | 10 | – | – | MHz |
| | group delay tolerance | | – | – | 20 | ns |
| t _d | sync delay from pin 24 to pin 22 | | 220 | 290 | 360 | ns |
| t _d | Y delay from pin 5 to pin 22 | | – | 10 | – | ns |
| α | Chrominance cross talk | 0 dB = 1330 mV (peak-to-peak) = 75% RED | – | – | –60 | dB |
| Y + SYNC IN (pin 20 from delay circuit; note 2) | | | | | | |
| I _{bias} | input bias current | | – | – | 1 | μA |
| V _I | maximum voltage amplitude | | – | – | 1 | V |
| Y + SYNC OUT (pin 19 output Y (SVHS); note 2) | | | | | | |
| R _O | output resistance | | – | 120 | – | Ω |
| I _{sink} | maximum sink current | | 650 | – | – | μA |
| I _{source} | maximum source current | | 1000 | – | – | μA |
| V _{BL} | black level output voltage | | – | 1.65 | – | V |
| G | Y + SYNC gain; from pin 20 to pin 19 | | – | 12 | – | dB |
| BW | frequency response | pin 19 with external load of R = 10 kΩ and C = 10 pF | 10 | – | – | MHz |
| | group delay tolerance | | – | – | 20 | ns |
| α | Chrominance cross talk | 0 dB = 1330 mV (peak-to-peak) = 75% RED | – | – | –54 | dB |

PAL/NTSC encoder

TDA8501

| SYMBOL | PARAMETER | CONDITIONS | MIN. | TYP. | MAX. | UNIT |
|------------------------------------|--|-------------------------------|------------|------------|------------|----------|
| NOTCH (pin 18) | | | | | | |
| R_O | output resistance | | 1750 | 2000 | 2500 | Ω |
| V_{CC} | DC voltage level | | – | 2.5 | – | V |
| I_{sink} | maximum sink current | | 350 | – | – | μA |
| Chrominance output (pin 14) | | | | | | |
| I_{sink} | maximum sink current | | 700 | – | – | μA |
| I_{source} | maximum source current | | 1000 | – | – | μA |
| R_O | output resistance | | – | 120 | – | Ω |
| ΔV_{DC} | variation of DC voltage level when chrominance signal is blanked and chrominance signal is not blanked | | – | – | 5 | mV |
| PAL mode; pin 17 = 0 V | | | | | | |
| V_O | chrominance output voltage (peak-to-peak) amplitude burst ratio: chrominance (75% RED)/burst | | 480 2.1 | 600 2.2 | 720 2.3 | mV |
| NTSC mode; pin 17 = 5 V | | | | | | |
| V_O | chrominance output voltage (peak-to-peak) amplitude burst ratio: chrominance (75% RED)/burst | | 460 2.1 | 570 2.2 | 680 2.3 | mV |
| | carrier suppression when input-signals are 0 V | 0 dB = 1330 mV (peak-to-peak) | – | 37 | – | dB |
| | phase accuracy (difference between 0 and 90 degree carriers) | | – | – | 2 | degrees |
| LPF | Low-pass filters | see Figs 3 and 4 | | | | |
| BPF | Band-pass filters | see Figs 5 and 6 | | | | |
| V_n | noise level (RMS value) | | – | – | 4 | mV |
| BP | burst phase; 0 degrees = phase U carrier | | | | | |
| | PAL mode | | – | ± 135 | – | degrees |
| | NTSC mode | | – | 180 | – | degrees |
| α | Y + SYNC cross talk (0 to 6 MHz) | 0 dB = 1400 mV (peak-to-peak) | – | – | –60 | dB |

PAL/NTSC encoder

TDA8501

| SYMBOL | PARAMETER | CONDITIONS | MIN. | TYP. | MAX. | UNIT |
|--------------------------------------|--|--|------|---------------------------|-------|---------------|
| CVBS output (pin 16) | | | | | | |
| I_{sink} | maximum sink current | | 650 | – | – | μA |
| I_{source} | maximum source current | | 1000 | – | – | μA |
| V_{O} | DC voltage level | Y +SYNC = 0 | – | 1.6 | – | V |
| G | Y +SYNC gain; from pin 20 to pin 16 | | – | 12 | – | dB |
| G | chrominance difference; from pin 14 to pin 16 | | – | 0 | – | dB |
| G_{\emptyset} | differential phase | note 3 | – | – | 3 | degrees |
| G_{V} | differential gain | note 4 | – | – | 3 | dB |
| R_{O} | output resistance | | – | 120 | – | Ω |
| Oscillator output (pin 23) | | | | | | |
| OSC | series-resonance | the resonance resistance of the crystal should be < 60 Ω and the parallel capacitance of the crystal should be < 10 pF. | | | | |
| Filter tuning loop (pin 15) | | | | | | |
| V_{DC} | DC control voltage level NTSC | | – | 0.83 | – | V |
| V_{DC} | DC control voltage level PAL | | – | 0.88 | – | V |
| V_{DCL} | limited DC-level LOW | $I_{\text{O}} = 200 \mu\text{A}$ | – | 0.27 | – | V |
| V_{DCH} | limited DC-level HIGH | $I_{\text{I}} = 200 \mu\text{A}$ | – | 1.8 | – | V |
| H2 (pin 4) | | | | | | |
| V_{IL} | LOW level input voltage | inactive | 0 | – | 1 | V |
| V_{IH} | HIGH level input voltage | active | 4 | – | 5 | V |
| I_{I} | current for forcing HIGH | | 220 | – | – | μA |
| I_{O} | current for forcing LOW | | 260 | – | – | μA |
| V_{O} | voltage out LOW | | – | – | < 0.5 | V |
| V_{O} | voltage out HIGH | | 4 | – | – | V |
| I_{sink} | maximum sink current | | 50 | – | – | μA |
| I_{source} | maximum source current | | 50 | – | – | μA |
| Composite sync input (pin 24) | | | | | | |
| V_{SYNC} | SYNC pulse amplitude | | 75 | 300 | 600 | mV (p-p) |
| | slicing level | | – | 50 | – | % |
| I_{I} | input current | | – | 4 | – | μA |
| I_{O} | maximum output current during SYNC | | – | 100 | – | μA |
| BURST ADJ (pin 21; note 5) | | | | | | |
| BP | DC voltage level | | – | V_{REF} (V13) | – | V |

PAL/NTSC encoder

TDA8501

| SYMBOL | PARAMETER | CONDITIONS | MIN. | TYP. | MAX. | UNIT |
|---|---|------------|------|------|------|------|
| Control pin PAL/NTSC and Y/Y + SYNC (pin 17; note 6) | | | | | | |
| V _I | PAL mode and blanking pin 5 active internal sync added to Y | | 0 | – | 1 | V |
| V _I | PAL mode and blanking pin 5 inactive internal sync not added to Y | | 1.6 | – | 2.0 | V |
| V _I | NTSC mode and blanking pin 5 active internal sync added to Y | | 4 | – | 5 | V |
| V _I | NTSC mode and blanking pin 5 inactive internal sync not added to Y | | 3 | – | 3.4 | V |
| I _{bias} | input bias current | | – | – | –10 | μA |

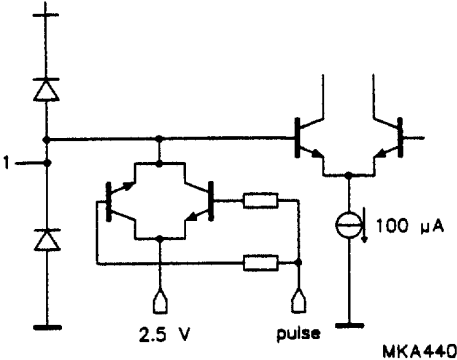
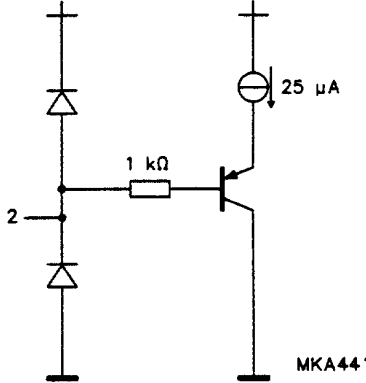
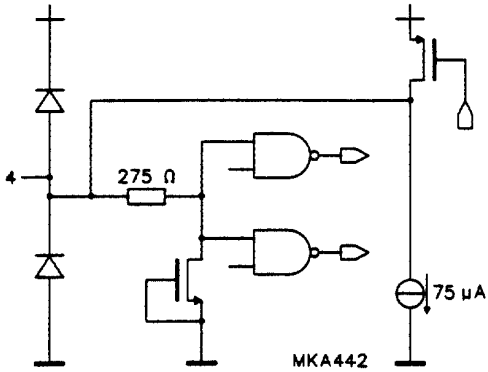
Notes

1. The threshold level of this pin is 700 mV ±20 mV. The specification of the HIGH and LOW levels is according to the SCART fast blanking.
2. Pin 20 condition: black level of input signal must be 2.5 V; amplitude 0.5 V (peak-to-peak) nominal.
3. Definition: *maximum phase – minimum phase = difference phase*
4. Definition: $\frac{\text{maximum gain} - \text{minimum gain}}{\text{maximum gain}} \times 100 = \text{difference gain \%}$
5. The output impedance of this pin is low (< 100 Ω). The nominal value of the external resistor is 196 kΩ (see also section Sync separator and Pulse shaper).
6. The threshold levels are: 0.25 times V_{CC}, 0.5 times V_{CC} and 0.75 times V_{CC}.

PAL/NTSC encoder

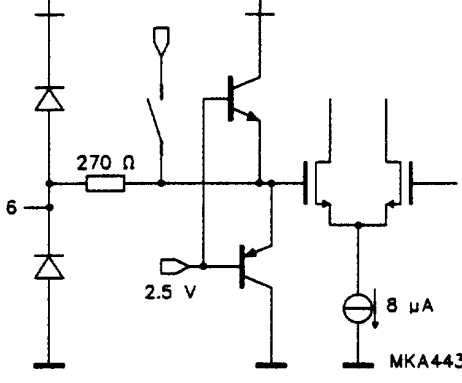
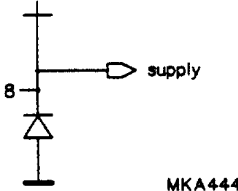
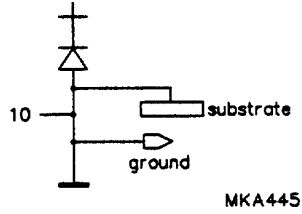
TDA8501

Table 2 Internal circuitry.

| PIN | NAME | CIRCUIT | DESCRIPTION |
|-----|---------------|--|--|
| 1 | -(R-Y) |  | -(R-Y) input; connected via 47 nF capacitor 1.05 V (p-p) for EBU bar of 75% see also pins 3, 5, 7, 9 and 11 |
| 2 | MCONTROL |  | multiplexer switch control input < 0.4 V Y, U and V >1 V R, G and B |
| 3 | -(B-Y) | see pin 1 | -(B-Y) input; connected via 47 nF capacitor 1.33 (p-p) for EBU bar of 75% |
| 4 | H/2 IN/OUT |  | H/2 input PAL MODE: pin open, output of internal H/2 Forcing possibility NTSC mode: 0 V set-up 5 V no set-up |

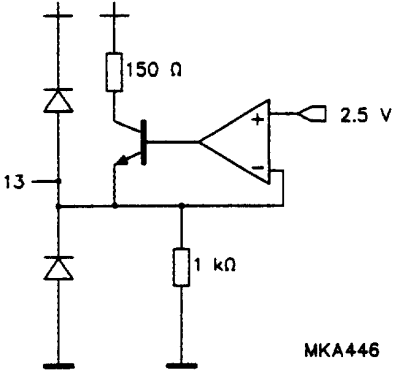
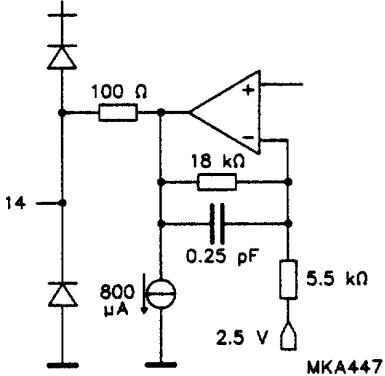
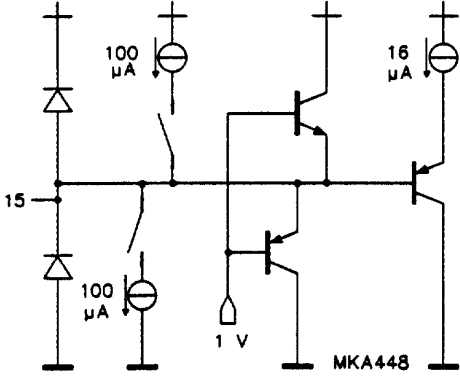
PAL/NTSC encoder

TDA8501

| PIN | NAME | CIRCUIT | DESCRIPTION |
|-----|-----------------|---|--|
| 5 | Y | see pin 1 | Y input; connected via 47 nF capacitor 1 V (p-p) for EBU bar of 75% |
| 6 | U OFFSET |  | 220 nF (low-leakage) connected to ground see also pin 12 |
| 7 | R | see pin 1 | RED input; connected via 47 nF capacitor 0.7 V (p-p) for EBU bar of 75% |
| 8 | V _{CC} |  | supply voltage 5 V nominal |
| 9 | G | see pin 1 | GREEN input; connected via 47 nF capacitor 0.7 V (p-p) for EBU bar of 75% |
| 10 | V _{SS} |  | ground |
| 11 | B | see pin 1 | BLUE input; connected via 47 nF capacitor 0.7 V (p-p) for EBU bar of 75% |

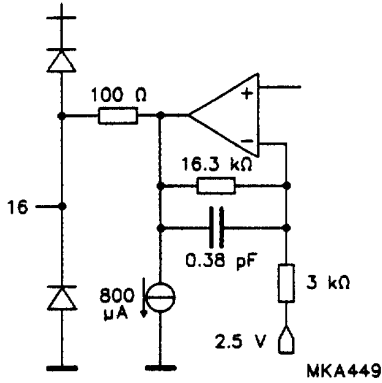
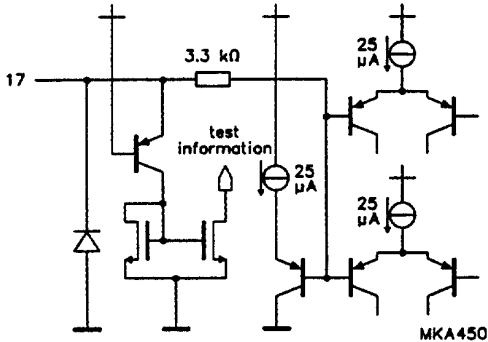
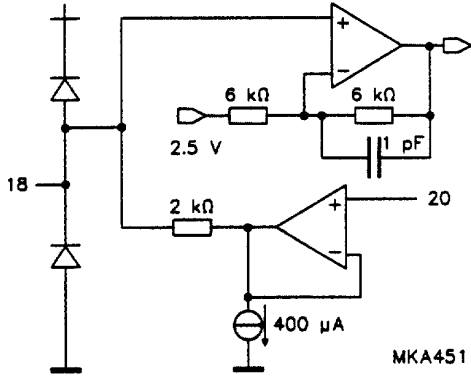
PAL/NTSC encoder

TDA8501

| PIN | NAME | CIRCUIT | DESCRIPTION |
|-----|------------------|---|--|
| 12 | V OFFSET | see pin 6 | 220 nF (low-leakage) connected to ground |
| 13 | V _{REF} |  | 2.5 V reference voltage decoupling with 47 μF and 22 nF capacitors |
| 14 | CHROMA |  | chrominance output; together with pin 19 the Y + C (SVHS) output |
| 15 | FLT |  | filter control pin 220 nF capacitor to ground |

PAL/NTSC encoder

TDA8501

| PIN | NAME | CIRCUIT | DESCRIPTION |
|-----|----------------------|--|---|
| 16 | CBVS |  <p>MKA449</p> | CVBS output |
| 17 | PAL/NTSC Y/Y+SYNC |  <p>MKA450</p> | 4-level control pin Pin 5: 0 V PAL, Y 1.8 V PAL Y+SYNC 3.2 V NTSC Y +SYNC 5 V NTSC Y |
| 18 | NOTCH |  <p>MKA451</p> | pin for external notch filter |

PAL/NTSC encoder

TDA8501

| PIN | NAME | CIRCUIT | DESCRIPTION |
|-----|------------|---------|---|
| 19 | Y+SYNC OUT | | output of the Y +SYNC signal; together with pin 14 the Y +C (SVHS) output |
| 20 | Y+SYNC IN | | input of the delayed Y+SYNC signal of the delay line black level must be 2.5 V |
| 21 | BURST ADJ | | external resistor to ground for adjusting the position of the burst |

PAL/NTSC encoder

TDA8501

| PIN | NAME | CIRCUIT | DESCRIPTION |
|-----|------------|---------|---|
| 22 | Y+SYNC OUT | | output of the Y+SYNC signal, connected to the delay line via a resistor |
| 23 | OSC | | subcarrier-crystal in series with a trimmer, or an external subcarrier signal, via 1 nF in series with a resistor |
| 24 | CS | | composite SYNC signal input amplitude < 600 mV (p-p) |

PAL/NTSC encoder

TDA8501

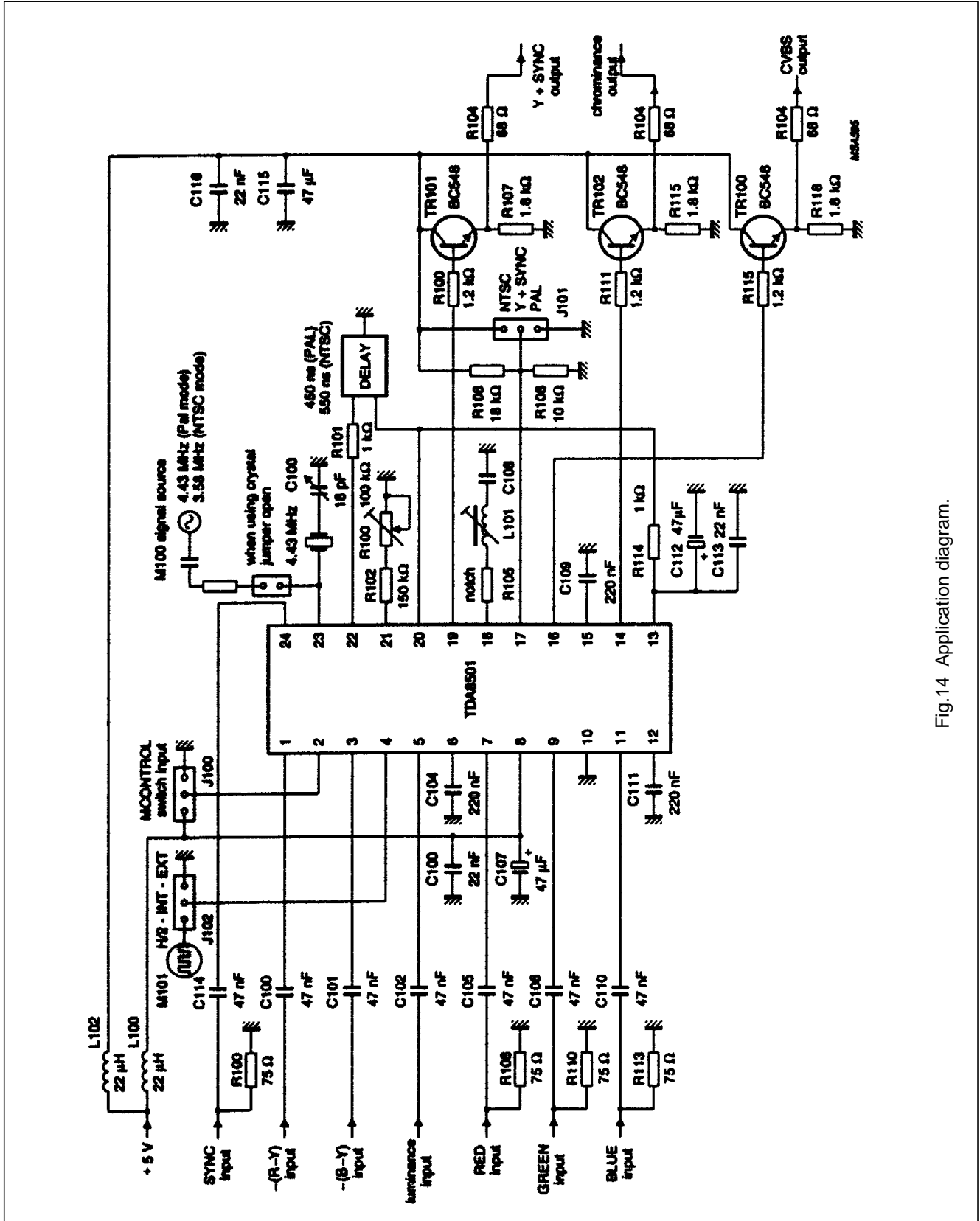


Fig.14 Application diagram.

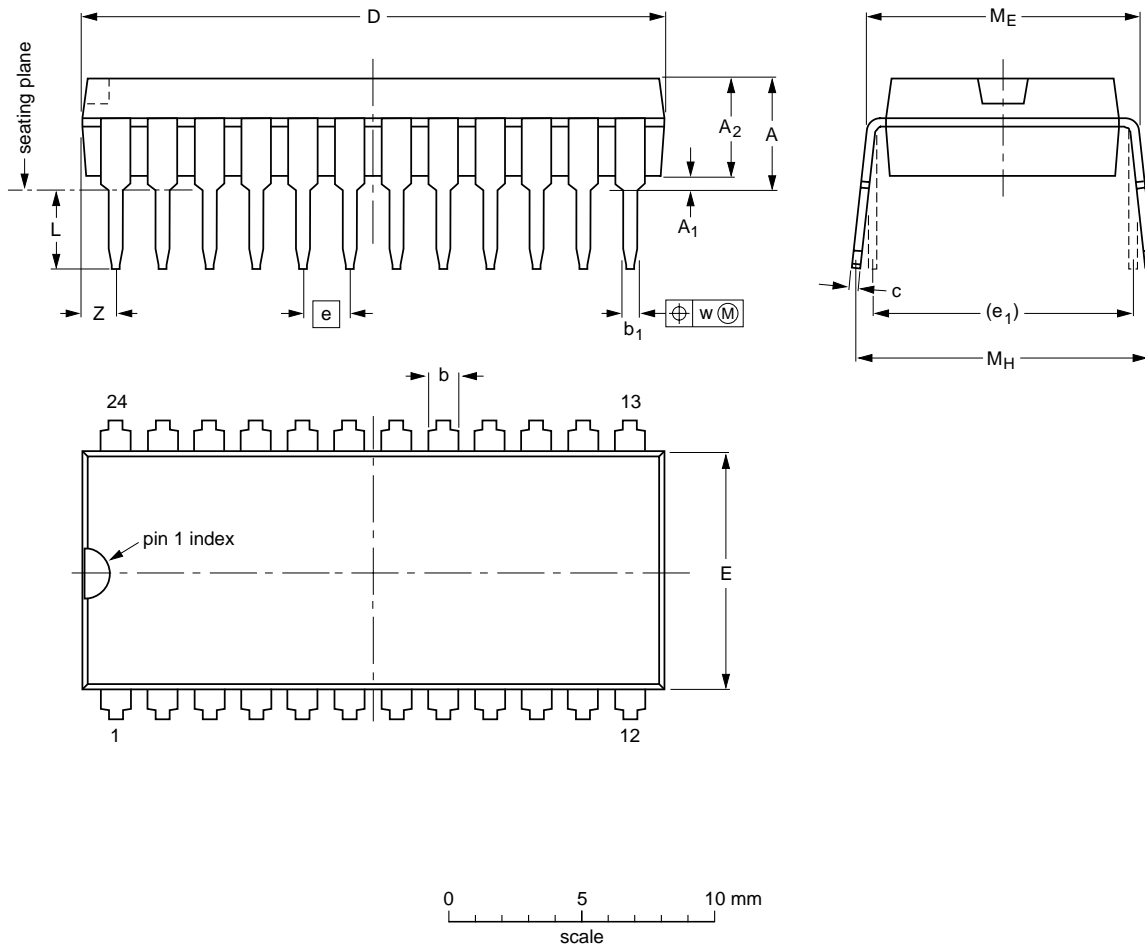
PAL/NTSC encoder

TDA8501

PACKAGE OUTLINES

SDIP24: plastic shrink dual in-line package; 24 leads (400 mil)

SOT234-1



DIMENSIONS (mm are the original dimensions)

| UNIT | A max. | A ₁ min. | A ₂ max. | b | b ₁ | c | D ⁽¹⁾ | E ⁽¹⁾ | e | e ₁ | L | M _E | M _H | w | Z ⁽¹⁾ max. |
|------|--------|---------------------|---------------------|------------|----------------|--------------|------------------|------------------|-------|----------------|------------|----------------|----------------|------|-----------------------|
| mm | 4.7 | 0.51 | 3.8 | 1.3 0.8 | 0.53 0.40 | 0.32 0.23 | 22.3 21.4 | 9.1 8.7 | 1.778 | 10.16 | 3.2 2.8 | 10.7 10.2 | 12.2 10.5 | 0.18 | 1.6 |

Note

1. Plastic or metal protrusions of 0.25 mm maximum per side are not included.

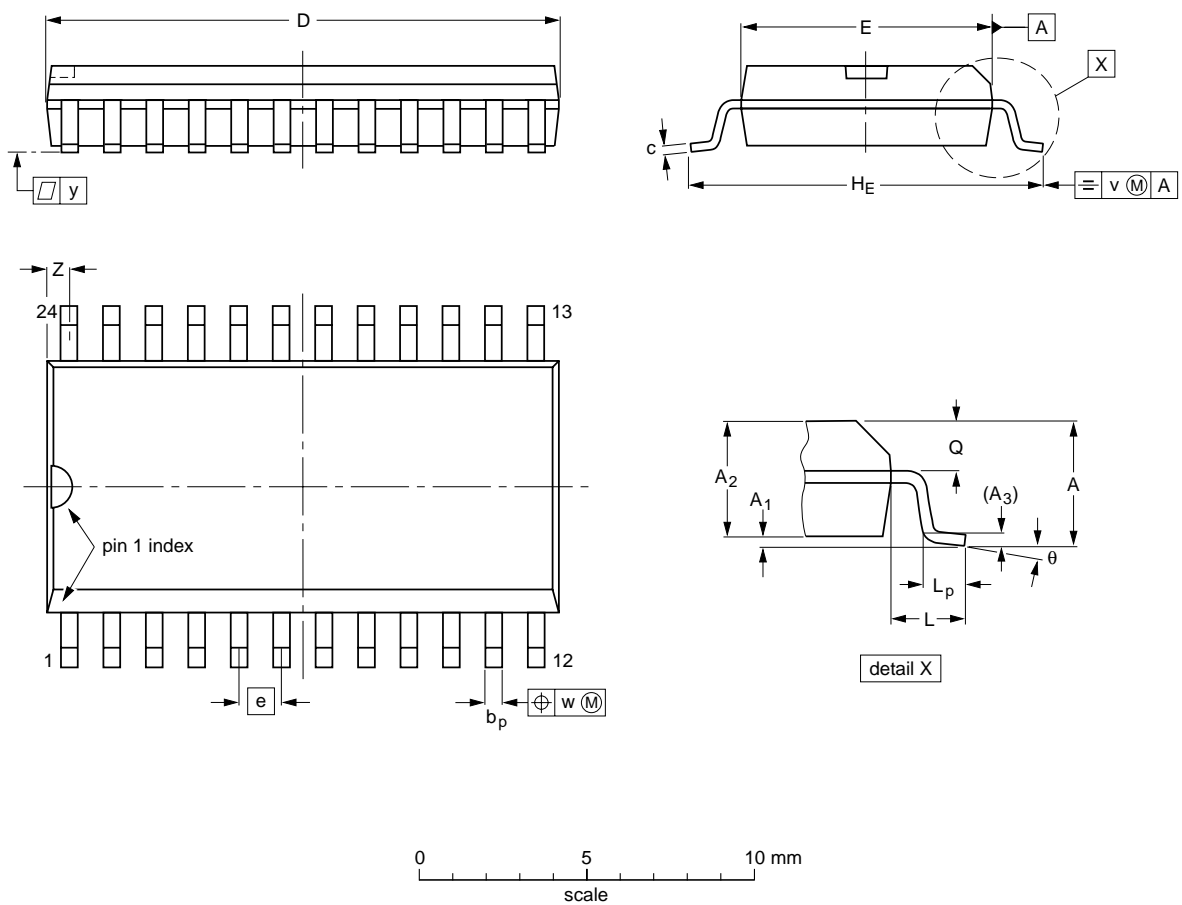
| OUTLINE VERSION | REFERENCES | | | EUROPEAN PROJECTION | ISSUE DATE |
|-----------------|------------|-------|------|---------------------|----------------------|
| | IEC | JEDEC | EIAJ | | |
| SOT234-1 | | | | | 92-11-17 95-02-04 |

PAL/NTSC encoder

TDA8501

SO24: plastic small outline package; 24 leads; body width 7.5 mm

SOT137-1



DIMENSIONS (inch dimensions are derived from the original mm dimensions)

| UNIT | A max. | A ₁ | A ₂ | A ₃ | b _p | c | D ⁽¹⁾ | E ⁽¹⁾ | e | H _E | L | L _p | Q | v | w | y | Z ⁽¹⁾ | θ |
|--------|--------|----------------|----------------|----------------|----------------|----------------|------------------|------------------|-------|----------------|-------|----------------|----------------|------|------|-------|------------------|----------|
| mm | 2.65 | 0.30 0.10 | 2.45 2.25 | 0.25 | 0.49 0.36 | 0.32 0.23 | 15.6 15.2 | 7.6 7.4 | 1.27 | 10.65 10.00 | 1.4 | 1.1 0.4 | 1.1 1.0 | 0.25 | 0.25 | 0.1 | 0.9 0.4 | 8° 0° |
| inches | 0.10 | 0.012 0.004 | 0.096 0.089 | 0.01 | 0.019 0.014 | 0.013 0.009 | 0.61 0.60 | 0.30 0.29 | 0.050 | 0.419 0.394 | 0.055 | 0.043 0.016 | 0.043 0.039 | 0.01 | 0.01 | 0.004 | 0.035 0.016 | |

Note

1. Plastic or metal protrusions of 0.15 mm maximum per side are not included.

| OUTLINE VERSION | REFERENCES | | | EUROPEAN PROJECTION | ISSUE DATE |
|-----------------|------------|----------|------|---------------------|----------------------|
| | IEC | JEDEC | EIAJ | | |
| SOT137-1 | 075E05 | MS-013AD | | | 95-01-24 97-05-22 |

PAL/NTSC encoder

TDA8501

SOLDERING

Introduction

There is no soldering method that is ideal for all IC packages. Wave soldering is often preferred when through-hole and surface mounted components are mixed on one printed-circuit board. However, wave soldering is not always suitable for surface mounted ICs, or for printed-circuits with high population densities. In these situations reflow soldering is often used.

This text gives a very brief insight to a complex technology. A more in-depth account of soldering ICs can be found in our *"IC Package Databook"* (order code 9398 652 90011).

SDIP

SOLDERING BY DIPPING OR BY WAVE

The maximum permissible temperature of the solder is 260 °C; solder at this temperature must not be in contact with the joint for more than 5 seconds. The total contact time of successive solder waves must not exceed 5 seconds.

The device may be mounted up to the seating plane, but the temperature of the plastic body must not exceed the specified maximum storage temperature ($T_{stg\ max}$). If the printed-circuit board has been pre-heated, forced cooling may be necessary immediately after soldering to keep the temperature within the permissible limit.

REPAIRING SOLDERED JOINTS

Apply a low voltage soldering iron (less than 24 V) to the lead(s) of the package, below the seating plane or not more than 2 mm above it. If the temperature of the soldering iron bit is less than 300 °C it may remain in contact for up to 10 seconds. If the bit temperature is between 300 and 400 °C, contact may be up to 5 seconds.

SO

REFLOW SOLDERING

Reflow soldering techniques are suitable for all SO packages.

Reflow soldering requires solder paste (a suspension of fine solder particles, flux and binding agent) to be applied to the printed-circuit board by screen printing, stencilling or pressure-syringe dispensing before package placement.

Several techniques exist for reflowing; for example, thermal conduction by heated belt. Dwell times vary between 50 and 300 seconds depending on heating method. Typical reflow temperatures range from 215 to 250 °C.

Preheating is necessary to dry the paste and evaporate the binding agent. Preheating duration: 45 minutes at 45 °C.

WAVE SOLDERING

Wave soldering techniques can be used for all SO packages if the following conditions are observed:

- A double-wave (a turbulent wave with high upward pressure followed by a smooth laminar wave) soldering technique should be used.
- The longitudinal axis of the package footprint must be parallel to the solder flow.
- The package footprint must incorporate solder thieves at the downstream end.

During placement and before soldering, the package must be fixed with a droplet of adhesive. The adhesive can be applied by screen printing, pin transfer or syringe dispensing. The package can be soldered after the adhesive is cured.

Maximum permissible solder temperature is 260 °C, and maximum duration of package immersion in solder is 10 seconds, if cooled to less than 150 °C within 6 seconds. Typical dwell time is 4 seconds at 250 °C.

A mildly-activated flux will eliminate the need for removal of corrosive residues in most applications.

REPAIRING SOLDERED JOINTS

Fix the component by first soldering two diagonally-opposite end leads. Use only a low voltage soldering iron (less than 24 V) applied to the flat part of the lead. Contact time must be limited to 10 seconds at up to 300 °C. When using a dedicated tool, all other leads can be soldered in one operation within 2 to 5 seconds between 270 and 320 °C.

PAL/NTSC encoder

TDA8501

DEFINITIONS

| | |
|---|---|
| Data sheet status | |
| Objective specification | This data sheet contains target or goal specifications for product development. |
| Preliminary specification | This data sheet contains preliminary data; supplementary data may be published later. |
| Product specification | This data sheet contains final product specifications. |
| Limiting values | |
| Limiting values given are in accordance with the Absolute Maximum Rating System (IEC 134). Stress above one or more of the limiting values may cause permanent damage to the device. These are stress ratings only and operation of the device at these or at any other conditions above those given in the Characteristics sections of the specification is not implied. Exposure to limiting values for extended periods may affect device reliability. | |
| Application information | |
| Where application information is given, it is advisory and does not form part of the specification. | |

LIFE SUPPORT APPLICATIONS

These products are not designed for use in life support appliances, devices, or systems where malfunction of these products can reasonably be expected to result in personal injury. Philips customers using or selling these products for use in such applications do so at their own risk and agree to fully indemnify Philips for any damages resulting from such improper use or sale.