

Quad Relay

20Amp • 120/240 Vac • AC Output

- **Zero Voltage and Random Turn-On Switching**
- **Triac Output**
- **Industry Standard Package**
- **Panel Mount**

Four independent AC output relays come in a single standard panel-mount package. Utilizing an AC switch output with internal snubber, relays provide greater protection against false triggering. Model choices include zero-voltage or random turn-on (phase controllable) switching.

Manufactured in Crydom's ISO 9001 Certified facility for optimum product performance and reliability.

CRYDOM

Control over power

MODEL NUMBER

T D2420Q

OUTPUT SPECIFICATIONS ①

Operating Voltage (47-63 Hz) [Vrms]	24-280
Load Current Range ③ [Arms]	.15-20
Transient Overvoltage [Vpk]	600
Max. Surge Current, (16.6ms) [Apk]	250
Max. On-State Voltage Drop @ Rated Current [Vpk]	1.6
Thermal Resistance Junction to Case (R _{θJC}) [°C/W]	1.2
Maximum I ² t for Fusing, (8.3 msec.) [A ² sec]	260
Max. Off-State Leakage Current @ Rated Voltage [mArms]	10
Min. Off-State dv/dt @ Max. Rated Voltage [V/μsec] ②	200
Max. Turn-On Time ④	1/2 cycle
Max. Turn-Off Time	1/2 cycle
Power Factor (Min.) with Max. Load	0.5

INPUT SPECIFICATIONS ①

Control Voltage Range	4-15 Vdc
Max. Turn-On Voltage	4.0 Vdc
Min. Turn-Off Voltage	1.0 Vdc
Nominal Input Impedance	330 Ohms
Typical Input Current @ 5 Vdc	12 mA

©2002 CRYDOM CORP, Specifications subject to change without notice.

GENERAL NOTES

- ① All parameters at 25°C and per section unless otherwise specified.
- ② Off-State dv/dt test method per EIA/NARM standard RS-443, paragraph 13.11.1
- ③ Heat sinking required, max. 20A per section, **max. 60A per package.**
- ④ Turn-on time for random turn-on versions is 0.1 msec.

For recommended applications and more information contact:

USA: Sales Support (877) 502-5500 **Tech Support** (877) 702-7700 **FAX** (619) 710-8540
Crydom Corp, 2320 Paseo de las Americas, Ste. 201, San Diego, CA 92154

Email: sales@crydom.com **WEB SITE:** http://www.crydom.com

UK: +44 (0)1202 365070 • **FAX** +44 (0)1202 365090 Crydom International Ltd., 7 Cobham Road, Ferndown Industrial Estate, Ferndown, Dorset BH21 7PE, **Email:** intsales@crydom.com.

GERMANY: +49 (0)180 3000 506





Control over power

Quad Relay

20Amp • 120/240 Vac • AC Output

GENERAL SPECIFICATIONS

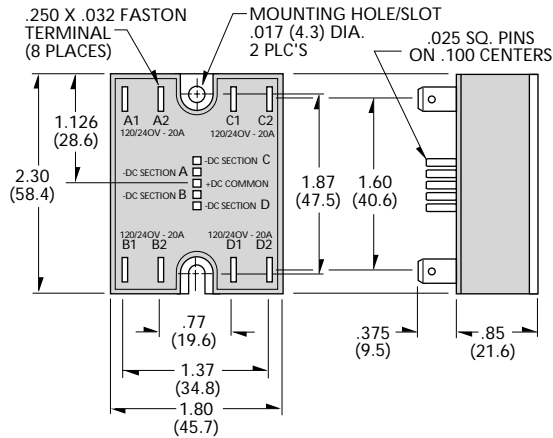
Dielectric Strength 50/60Hz Input/Output/Base	2500 Vrms
Insulation Resistance (Min.) @ 500 Vdc	10 ⁹ Ohm
Max. Capacitance Input/Output	10 pF
Ambient Operating Temperature Range	-40 to 80°C
Ambient Storage Temperature Range	-40 to 125°C

MECHANICAL SPECIFICATIONS

Weight: (typical)	3.5 oz. (109g)
Encapsulation:	Thermally Conductive Epoxy
Terminals:	.250 Faston, .025 Square Pins

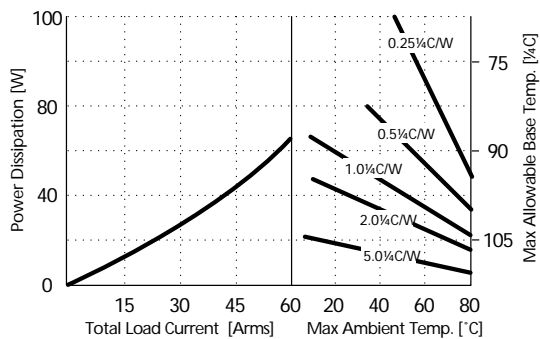
AVAILABLE OPTIONS

- 10 Random Turn-On, Phase Controllable
Example: TD242 0Q-10

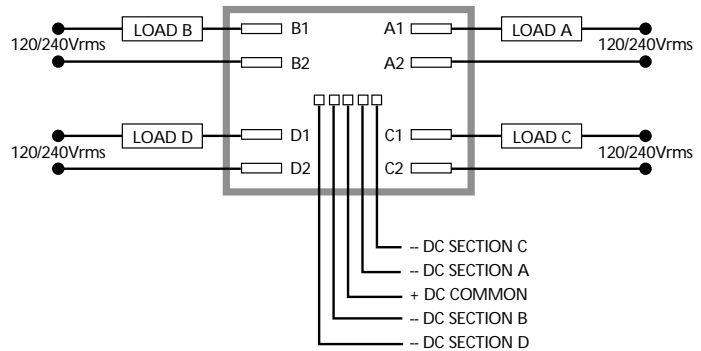


All dimensions are in inches (millimeters)

CURRENT DERATING CURVES



WIRING DIAGRAM



Crydom Heat Sinks offer excellent thermal management and are perfectly matched to the load current ratings of Crydom panel mount relays. Request Crydom's Heat Sink specification sheet for all the details.

©2002 CRYDOM CORP, Specifications subject to change without notice.

APPROVALS

UL E116949
CSA LR81689



For recommended applications and more information contact:

USA: Sales Support (877) 502-5500 Tech Support (877) 702-7700 FAX (619) 710-8540
Crydom Corp, 2320 Paseo de las Americas, Ste. 201, San Diego, CA 92154

Email: sales@crydom.com WEB SITE: http://www.crydom.com

UK: +44 (0)1202 365070 • FAX +44 (0)1202 365090 Crydom International Ltd., 7 Cobham Road, Ferndown Industrial Estate, Ferndown, Dorset BH21 7PE, Email: intsales@crydom.com.

GERMANY: +49 (0)180 3000 506

