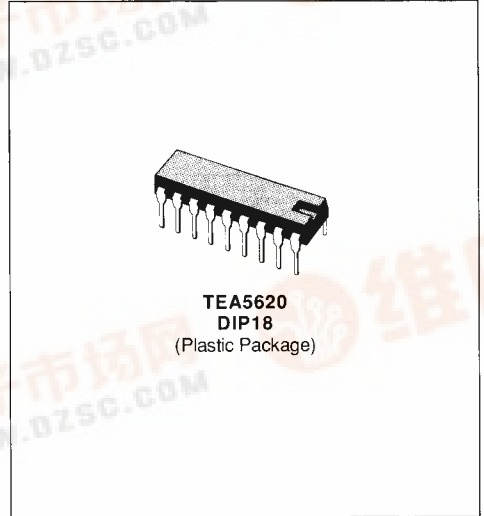


COLOR TV PAL DECODER

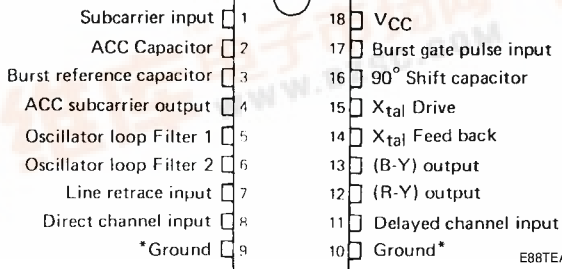
- PHASE LOCKED REFERENCE OSCILLATOR
- U AND V AXIS DECODERS
- ACC AND IDENTIFICATION DETECTORS
- KILLER
- USE OF A STANDARD 4.43 MHz Xtal
- COMPATIBILITY WITH THE SECAM DECODER TEA5630 FOR PAL-SECAM APPLICATION



DESCRIPTION

The TEA5620 is a color TV PAL decoder. It combines all functions required for the identification and demodulation of PAL signal.

PIN CONNECTIONS

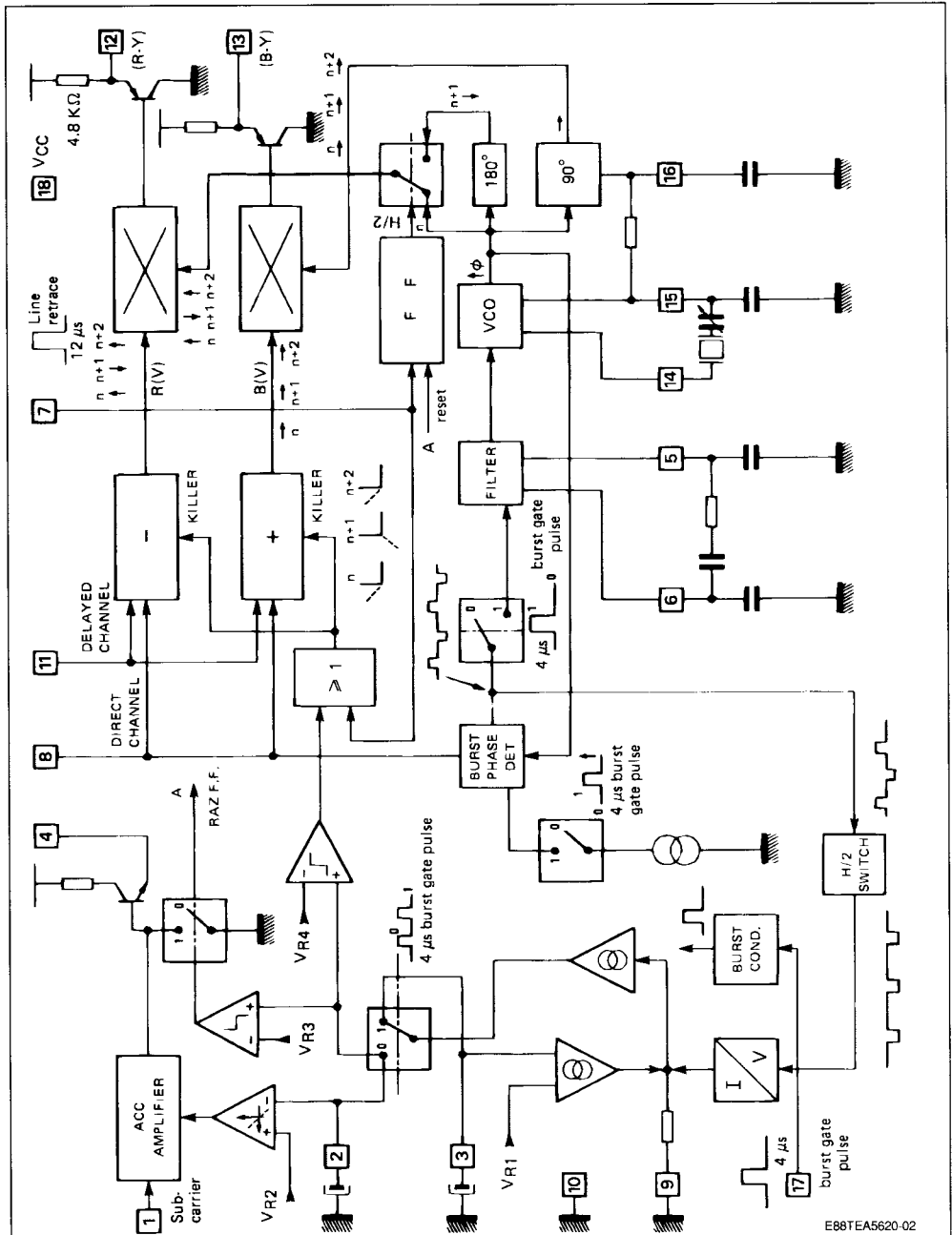


E88TEA5620-01



* Pins 9 and 10 have to be both grounded.

BLOCK DIAGRAM



ABSOLUTE MAXIMUM RATINGS

Symbol	Parameter	Value	Unit
V _{CC}	Supply Voltage	14.4	V
P _D	Power Dissipation	800	mW
T _{amb}	Operating Ambient Temperature	0 to 70	°C
T _{stg}	Storage Temperature	- 55 to 150	°C

THERMAL DATA

Symbol	Parameter	Value	Unit
R _{th(j-a)}	Junction–ambient Thermal Resistance	70	°C/W

DC ELECTRICAL CHARACTERISTICS

T_{amb} = + 25 °C V_{CC} = 12 V (unless otherwise specified)

(see test circuit 1)

Parameter		Switch State		Min.	Typ.	Max.	Unit
		S1	S2				
Operating Supply Voltage	Pin 18	1	1	10	12	14.4	V
Supply Current	Pin 18	1	1		40	52	mA
DC Voltage at :							
	Pin 1	1	1	5.1	5.7	6.3	V
	Pin 4	0	1	7.6	8.5	9.4	V
	Pin 5	1	2	6.2	7.7	9.2	V
	Pin 6	1	2	6.2	7.7	9.2	V
	Pin 8 - Pin 11	1	1	2.2	2.5	2.8	V
	Pin 12 - Pin 13	1	1	9.5	10.3	11.1	V
	Pin 14	1	2	8.7	9.5	10.7	V
	Pin 15 - Pin 16	1	1	2.7	3.3	3.9	V
DC Voltage, with Sample Pulse to Pin 17, at :							
	Pin 2 – Pin 3	0	3	4.3	4.7	5.3	V

TEA5620

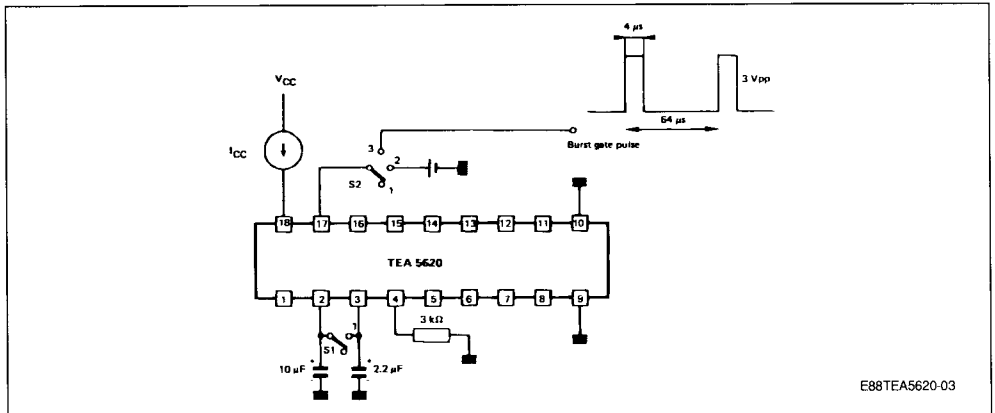
AC ELECTRICAL CHARACTERISTICS

$T_{amb} = +25\text{ }^{\circ}\text{C}$ $V_{CC} = 12\text{ V}$ (unless otherwise specified)

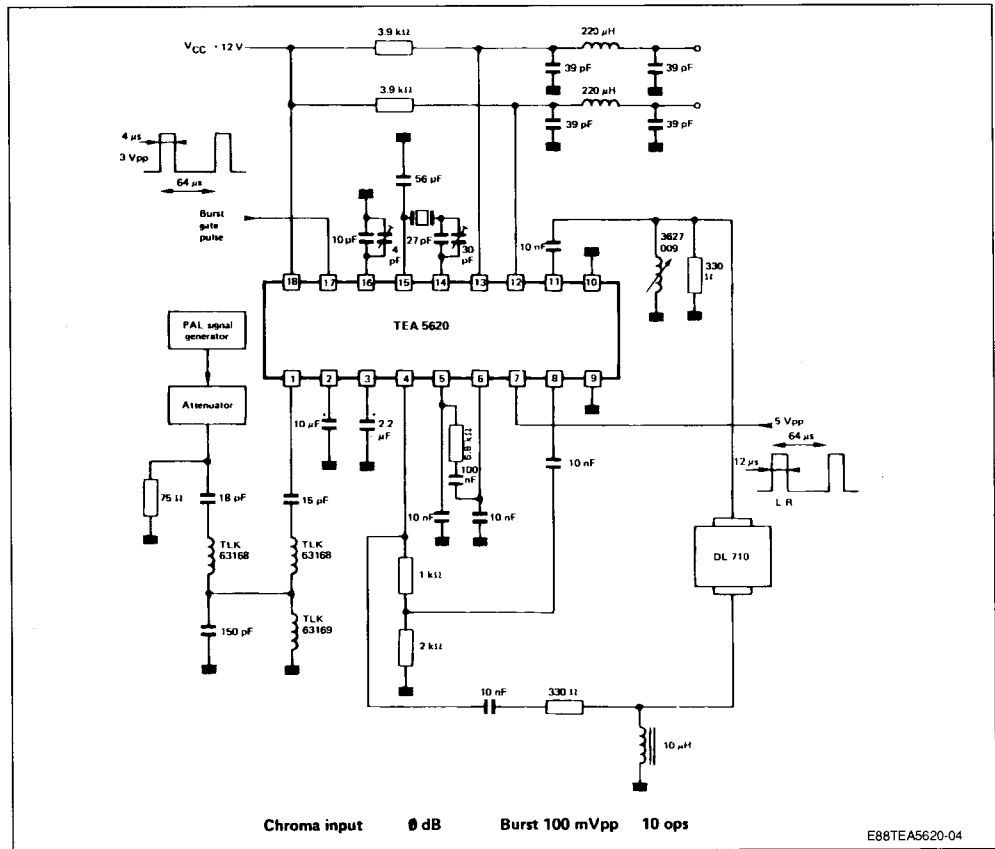
(see test circuit 2)

Symbol	Parameter	Min.	Typ.	Max.	Unit
BoV	ACC Amplifier Output Voltage (burst input : 0.1 Vpp) Pin 4	0.45	0.6	0.76	Vpp
ΔBoV_1	ACC Amplifier Output Voltage Variation (burst input : + 6 dB = 0.2 Vpp) Pin 4	- 1	0	+ 1	dB
ΔBoV_2	ACC Amplifier Output Voltage Variation (burst input : - 20 dB = 10 mVpp) Pin 4	- 5	- 2	+ 1	dB
ED1 _{RY}	R-Y Output Voltage (colour bar input signal : 0.1 Vpp) Pin 12	0.7	1.4	1.95	Vpp
ED1 _{BY}	B-Y Output Voltage (colour bar input signal : 0.1 Vpp) Pin 13	0.9	1.5	1.95	Vpp
$\frac{\text{ED1}_{\text{BY}}}{\text{ED1}_{\text{RY}}}$	Output Voltage Ratio : B-Y/R-Y	0.9	1.05	1.15	
$\Delta\text{ED1}_{\text{RY}}$	R-Y Output Voltage Variation ($V_{CC} : 12\text{ V}$ to 14.4 V or $V_{CC} : 12\text{ V}$ to 9.6 V) Pin 12	0.15		0.55	Vpp
$\Delta\text{ED1}_{\text{BY}}$	B-Y Output Voltage Variation ($V_{CC} : 12\text{ V}$ to 14.4 V or $V_{CC} : 12\text{ V}$ to 9.6 V) Pin 13	0.15		0.55	Vpp
EL	HF Residual Voltage (colour bar input signal : 0.1 Vpp) Pins 12 - 13		100	120	mVpp
EK	Colour Killer Level (reference input signal : 0.1 Vpp)	- 40	- 35	- 30	dB
ELK	Colour Killer Leakage (colour killer on) Pins 12 - 13			20	mVpp
V_{CC}	Minimum Supply Voltage for Internal Oscillator Operation		6	8	V
Ri ₁	Input Impedance (input signal : F = 4.43 MHz) Pin 1		2.8		k Ω
Cl ₁	$V_i = 100\text{ mVpp}$		10		pF
To	Delay time between line retrace pulse and first colour response Pin 12	0.4	1.3	2	μs
	VCO Control Sensitivity : Variation of Frequency Oscillator Versus Pin 5 to Pin 6 Difference Voltage (burst input 0.7 Vpp on pin 8)		1.8		Hz/mV
Fp	Pull-in Frequency Range (variation of burst frequency) Pin 15		± 800		Hz
\emptyset	Phase Hold Characteristics (phase deviation for ΔF burst = 100 Hz)		0.03		$^{\circ}/\text{Hz}$
V _{dir}	Line retrace threshold Pin 7		2.5		V
V _{dl}	Sampling Pulse Threshold Pin 17	0	.6	0.8	1

Test Circuit 1.

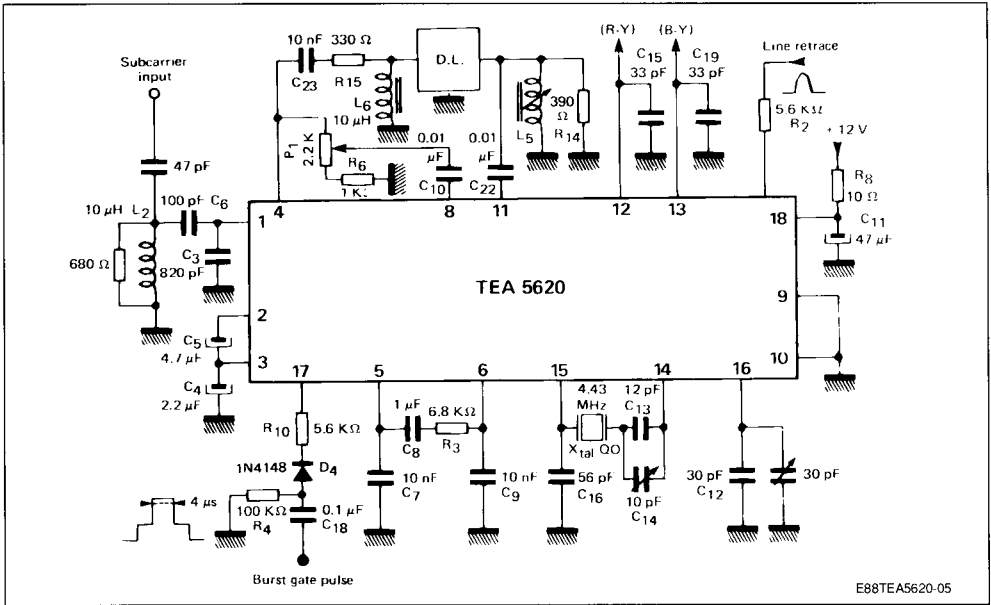


Test Circuit 2.



TEA5620

TYPICAL PAL APPLICATION

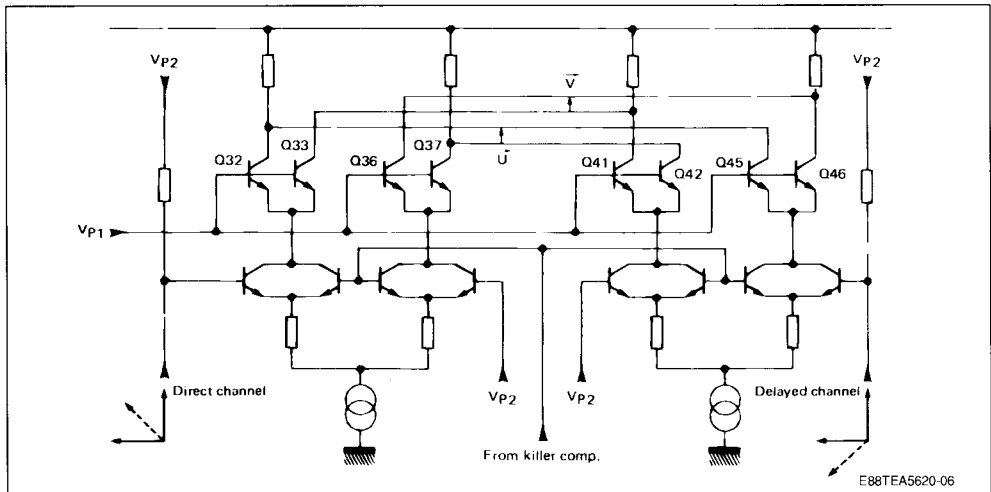


GENERAL DESCRIPTION

DL MATRIX

The adding and subtraction function for the direct signal and the delayed signal are also performed by the IC with the under circuit. The U matrix is made with Q32 - Q45 - Q37 - Q42 ; the V matrix is made

with Q33 - Q41 - Q46 - Q36. The integration of the DL matrix only requires one delay line for the PAL/SECAM application with the TEA5630. It also allows lower cost for external components.

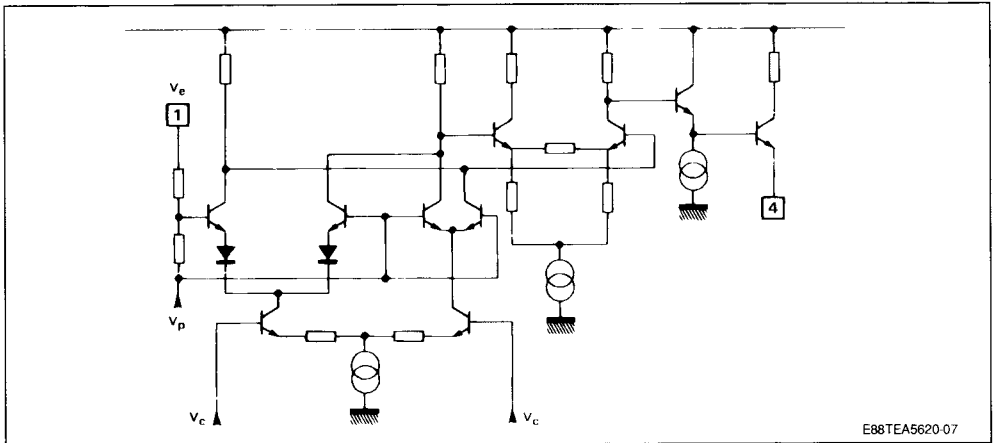


ACC AMPLIFIER

This ACC amplifier is performed with a double differential stage. The subcarrier is sent to the input of the first pair, while the second is connected to a reference voltage. The gain of the amplifier is controlled by the ACC voltage, by switching the bias current through a third differential pair.

The dynamic range obtained by this device is 32 dB. The bias voltage on the pin 1 is 5.6 V. The burst signal delivered by the pin 4 is about 0.6 Vpp for an input signal on pin 1 variable from 5 to 200 mV.

ACC amplifier.



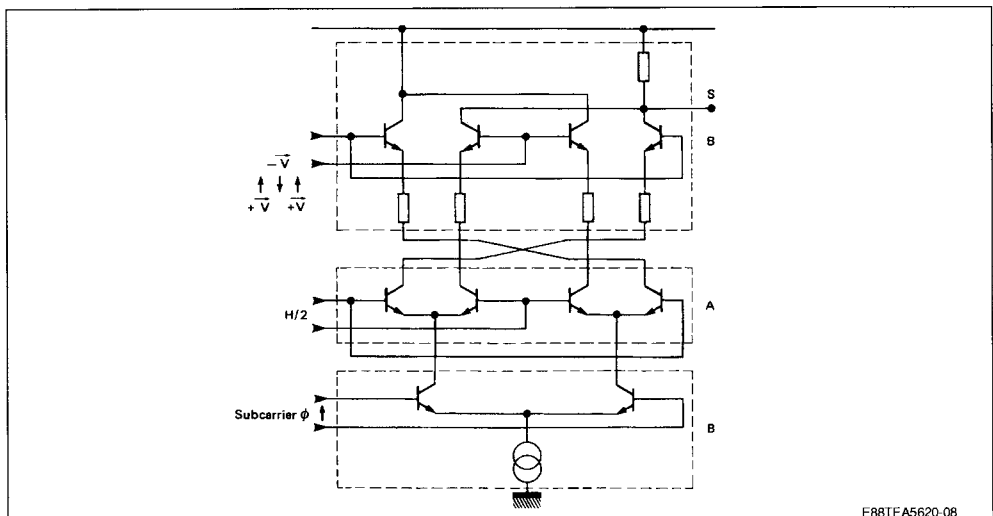
E88TEA5620-07

U AND V AXIS DECODERS

They consist on two phase detector stages (B). They provide output signals proportional to the magnitude of the chroma signal phased with the regenerated subcarrier feeding the stage.

The subcarrier is fed to the Vaxis decoder through an H/2 switch (A). This switch is required to make the phase of this signal the same than the burst.

U and V Axis Decoders.



E88TEA5620-08

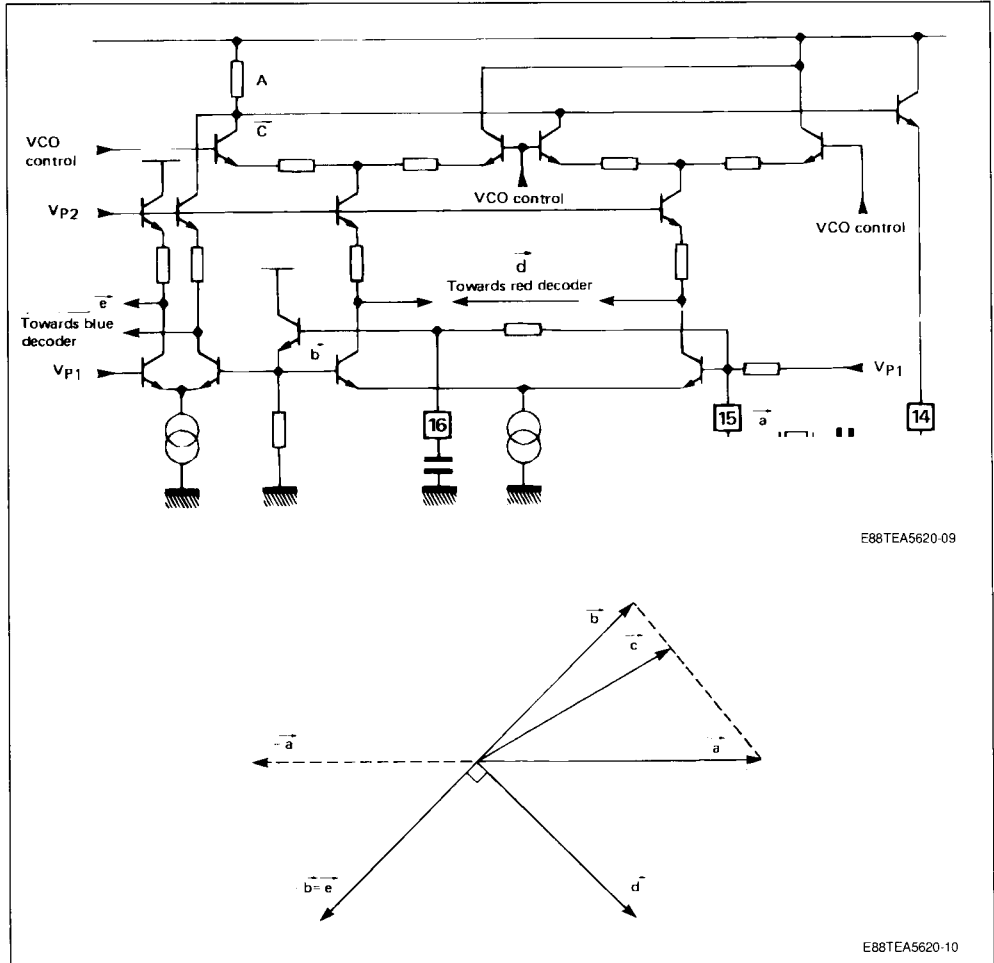
TEA5620

VOLTAGE CONTROL OSCILLATOR

The frequency of the VCO is depending on the vector adding performed at point A between \vec{b} and \vec{d} (see graphe). This adding is controlled by the voltage coming from the burst phase detector. This

VCO is attractive because it uses a standard low cost Xtal. The 90° phase shift is made by vector addition and by a 45° phase shifter connected to the pin 16.

Voltage Control Oscillator.



E88TEA5620-09

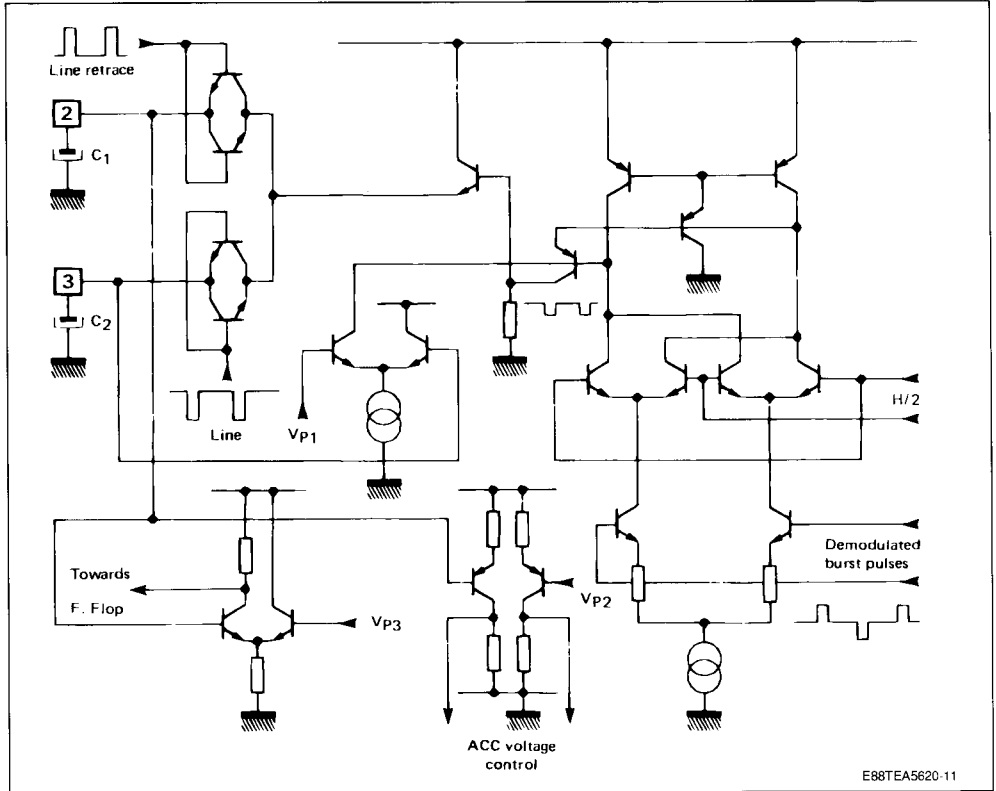
E88TEA5620-10

SAMPLING AND HOLD STAGE

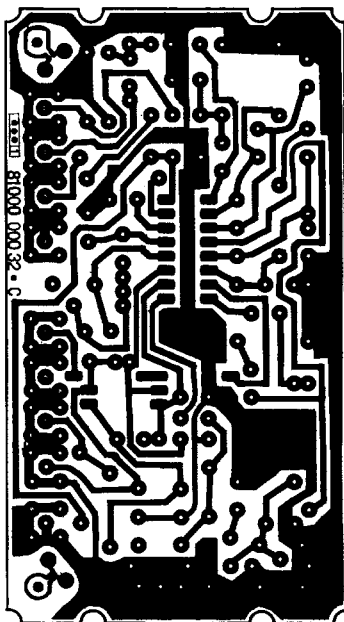
This stage performs the identification and provides the ACC control voltage. A bias voltage is stored in C_2 capacitor during the line trace. The C_1 capacitor stores this bias voltage decreased by the demodu-

lated burst peak value. So the differential voltage between C_1 and C_2 is not depending of a bias voltage, out of any drift, and therefore suitable to control the ACC amplifier.

Sampling and Hold Stage.



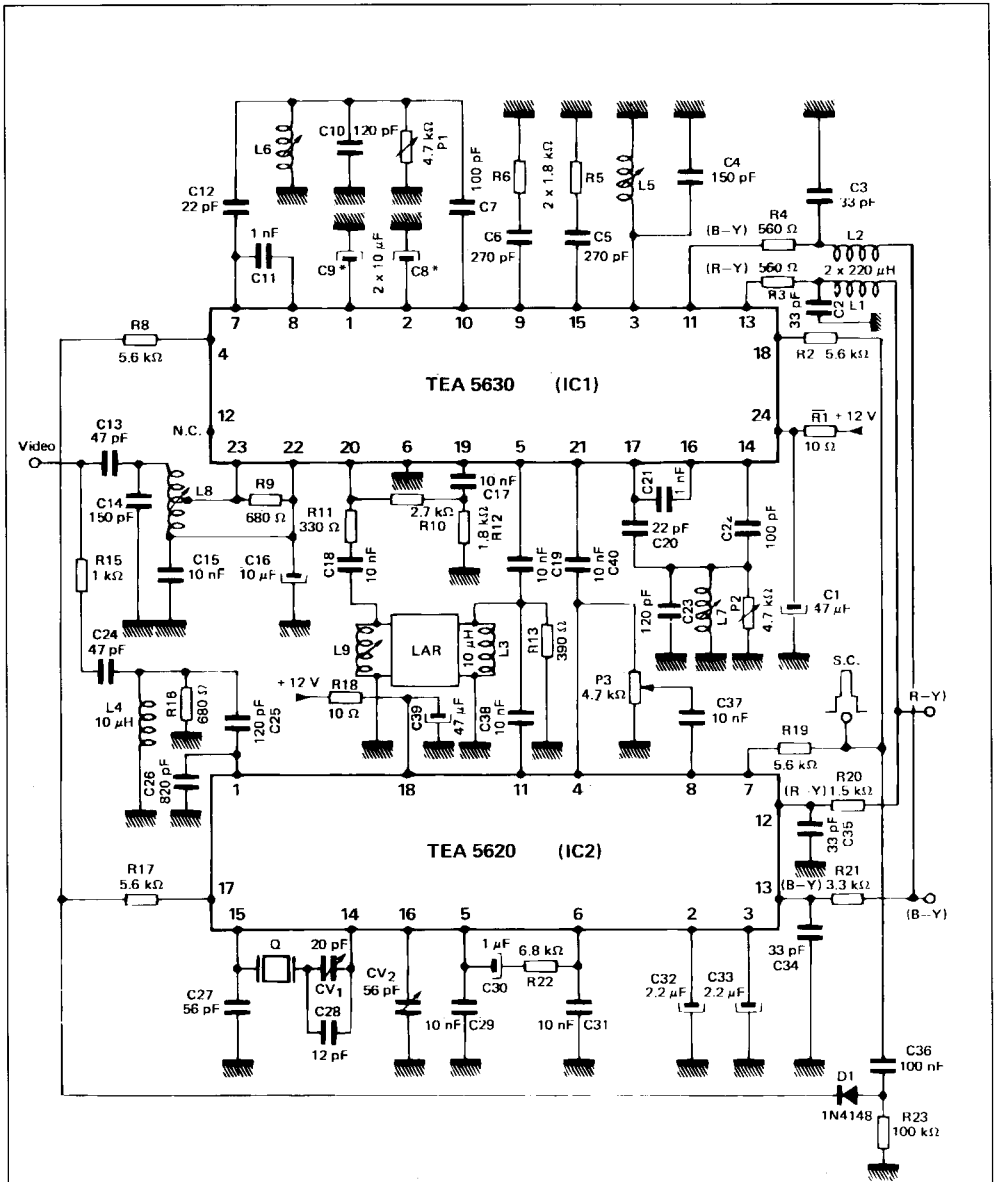
Copper Side.



E88TEA5620-13

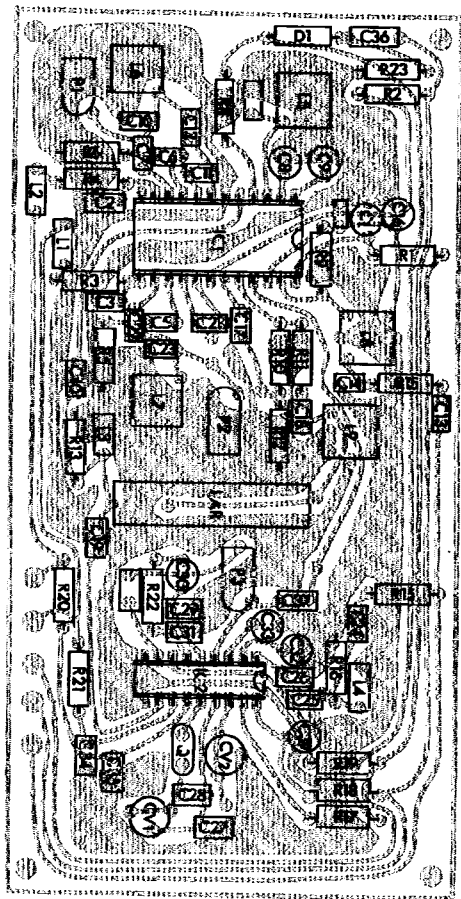
TEA5620

PAL SECAM APPLICATION TEA5620-TEA5630



* C8, C9 values can be reduced to 1 μF (polypropylene capacitors) if line identification only.

Component Side.



E88TEA5620-15

N°	Value	N°	Value
C1	47 μ F	R1	10 Ω
C2	33 pF	R2	5.6 k Ω
C3	33 pF	R3	560 Ω
C4	150 pF	R4	560 Ω
C5	270 pF	R5	1.8 k Ω
C6	270 pF	R6	1.8 k Ω
C7	100 pF	R8	5.6 k Ω
C8-C9	10 μ F/16 V	R9	680 Ω
C10	120 pF	R10	2.7 k Ω
C11	1 nF	R11	330 Ω
C12	22 pF	R12	1.8 k Ω
C13	47 pF	R13	390 Ω
C14	150 pF	R15	1 k Ω
C15	10 nF	R16	680 Ω
C16	10 μ F/16 V	R17	5.6
C17	10 nF	R18	k Ω
C18	10 nF	R19	10 Ω
C19	10 nF	R20	5.6 k Ω
C20	22 pF	R21	1.5 k Ω
C21	1 nF	R22	3.3 k Ω
C22	100 pF	R23	6.8 k Ω
C23	120 pF		
C24	47 pF		
C25	120 pF		
C26	820 pF		
C27	56 pF		
C28	12 pF		
C29	10 nF		
C30	1 μ F/16 V		
C31	10 nF		
C32	2.2 μ F/16 V		
C33	2.2 μ F/16 V		
C34	33 pF		
C35	33 pF		
C36	100 nF		
C37	10 nF		
C38	10 nF		
C39	47 μ F/25 V		
C40	10 nF		

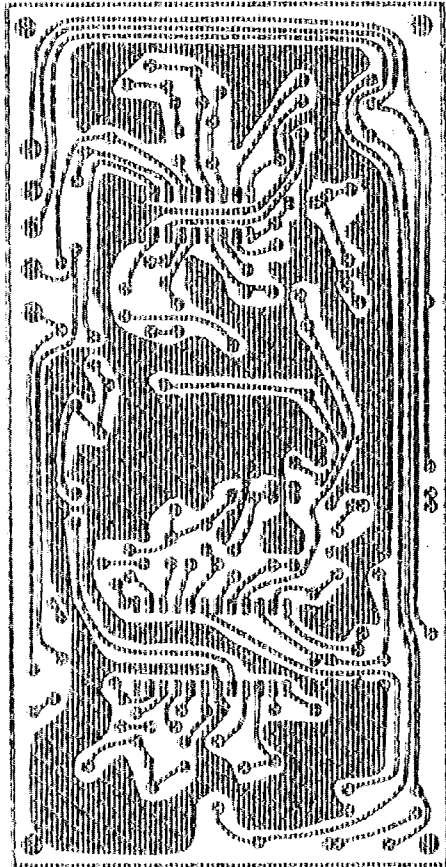
N°	Value
P1	4.7 k Ω
P2	4.7 k Ω
P3	4.7 k Ω
Q Quartz	4.433 MHz
CV ₁	3-30 pF
CV ₂	6-60 pF

N°	Type or Value
D1	1N4148
LAR :	LAAG4 μ s
IC ₁	TEA5630
IC ₂	TEA5620
L1	220 μ H
L2	220 μ H
L3	10 μ H
L4	10 μ H
L8	0.7-1.3 μ H

N°	Type	Value
L5	TOKO RCL 36270-14	10-15 μ H
L6	TOKO RCL 36270-13	7 μ H
L7	TOKO RCL 36270-13	7 μ H
L8	TOKO RCL 36270-09	10 μ H

TEA5620

Copper Side.



E88TEA5620-16

