

## The Embedded I/O Company

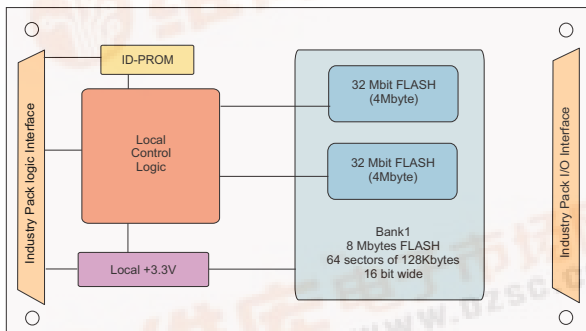
# TIP250 8 Mbytes Flash Memory

### Application Information

The TIP250 is an IndustryPack® compatible module that offers an easy and reliable way to implement 8 Mbytes of Flash memory. The TIP250 is ideal for holding application code, operating system software or data.

Two AM29LV033 devices (32Mbit, x8 organized) are used to provide 1 bank of 8 Mbytes (16 bit wide) Flash memory which is divided into 64 sectors of 128 Kbytes (16 bit wide).

Accesses to the TIP250 Flash memory occur within the IP memory space. After power-on the TIP250 comes up in read only mode. The IP I/O space holds the Flash Control Register and the interrupt vector register.



For First-Time-Buyers the engineering documentation TIP250-ED is recommended. The engineering documentation includes TIP250-DOC, schematics and data sheets.

Driver support (TIP250-SW-xx) is available for different operating systems.

### Technical Information

- Interface according to IndustryPack specification
- Identification-PROM supports auto-configuration
- Single Size IndustryPack
- 8 Mbytes of Flash Memory
- Organized in 1 bank of 8 Mbytes (16 bit wide), 64 sectors of 128 Kbytes (16 bit wide)
- Flash chip: 2 x AM29LV033, 90 ns, TSOP package
- Guaranteed min. erase and program cycle endurance: 1.000.000 cycles
- Typical bank erase time: 45 s
- Typical sector erase time: 0.7 s
- Typical word programming time: 9 µs
- Typical bank programming time: 36 s
- Interrupt support on program / erase cycles
- Power requirements: +5V only, on board +3.3V generation
- No connections to IP-I/O connector
- Operating temperature -40°C to +85°C

### Order Information

<b>TIP250-10</b>	8 Mbytes Flash Memory
<b>TIP250-DOC</b>	User Documentation
<b>TIP250-ED</b>	Engineering Documentation, includes TIP250-DOC
<b>TIP250-SW-12</b>	OS-9 Software Support
<b>TIP250-SW-32</b>	pSOS Software Support
<b>TIP250-SW-42</b>	VxWorks Software Support
<b>TIP250-SW-62</b>	Windows NT 4.0 Software Support
<b>TIP250-SW-72</b>	LynxOS Software Support
<b>TIP250-SW-82</b>	LiNux Software Support
<b>TIP250-SW-92</b>	QNX 4 Software Support
<b>TIP250-SW-95</b>	QNX 6 Software Support