

The Embedded I/O Company

TIP550 8 (4) Channels of Isolated 12 bit D/A Conversion

Application Information

The TIP550 is an IndustryPack® compatible module and provides 8 or 4 channels of isolated 12 bit analog outputs. The settling time to 0.01% is 13µs typical. The programmable output voltage range is +/-10V or 0-10V selectable by jumper. The isolated DAC and the output buffer are powered by an on board DC/DC converter.

Each TIP550 is factory calibrated. The calibration information is stored in the Identification-PROM unique to each IP.

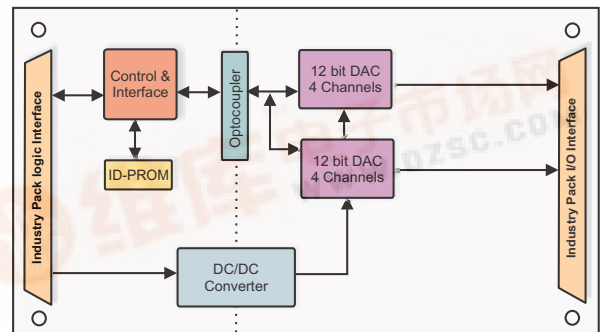


For First-Time-Buyers the engineering documentation TIP550-ED is recommended. The engineering documentation includes TIP550-DOC, schematics and data sheets.

Driver support (TIP550-SW-xx) for different operating systems is available.

Technical Information

- Interface according to IndustryPack specification
- Identification-PROM supports auto-configuration
- Single Size IndustryPack
- 8 (4) channels of isolated 12 bit analog output
- Full-scale output range +/-10 V or 0-10V selectable by jumper
- Factory calibrated, calibration information in Identification-PROM unique to each IP
- Operating temperature -40°C to +85°C



Order Information

- TIP550-10** 8 Channels of Isolated 12 bit Analog Output
- TIP550-11** 4 Channels of Isolated 12 bit Analog Output
- TIP550-DOC** User Documentation
- TIP550-ED** Engineering Documentation, includes TIP550-DOC
- TIP550-SW-12** OS-9 Software Support
- TIP550-SW-32** pSOS Software Support
- TIP550-SW-42** VxWorks Software Support
- TIP550-SW-62** Windows NT 4.0 Software Support
- TIP550-SW-72** LynxOS Software Support
- TIP550-SW-82** LINUX Software Support
- TIP550-SW-92** QNX 4 Software Support
- TIP550-SW-95** QNX 6 Software Support

