

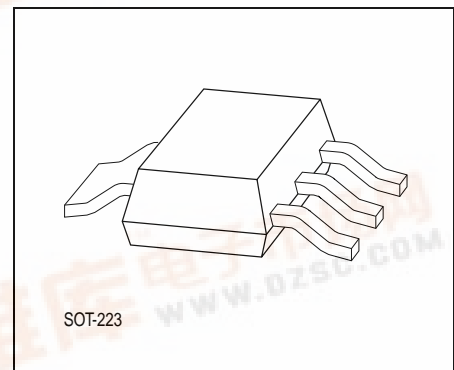


Dual Voltage Regulator with 5 V and 15 V Outputs

TLE 4484

Features

- Dual output: 5 V and 15 V
- High input voltage range: up to 45 V
- High output current capability
- High output voltage accuracy
- Very low current consumption
- Short circuit protected
- Over-temperature protected
- Thermal and space optimized package



Type	Ordering Code	Package
TLE 4484 G	Q67006-A9396	P-SOT223-4-2 (SMD)

Functional Description

The **TLE 4484 G** is a monolithic integrated voltage regulator providing two output voltages, output Q5 is a 5 V output for loads up to 25 mA and output Q15 is a 15 V output providing up to 30 mA. The device is based on the Infineon double isolated bipolar technology **DOPL** with high accuracy polysilicon resistors and is available in the **SOT223 (SMD)** package.

The **TLE 4484 G** is designed to supply systems with a microcontroller (5 V) and a standard MOS-driver-IC (15 V) under severe conditions and is therefore equipped with additional protection functions.

Both outputs are protected against overload, short circuit to ground and to the input voltage. A build-in shutdown-circuit protects the device against overheat.

The IC operates in a wide input voltage range up to 45 V. The output voltages are regulated to $V_{Q5} = 5 \text{ V}$ and $V_{Q15} = 15 \text{ V}$ with a drop voltage less than 1.5 V. The standard **SOT223 (SMD)** package is especially suitable for this kind of application, saves PCB-board-space and reduces system cost.

Pin Configuration
(top view)

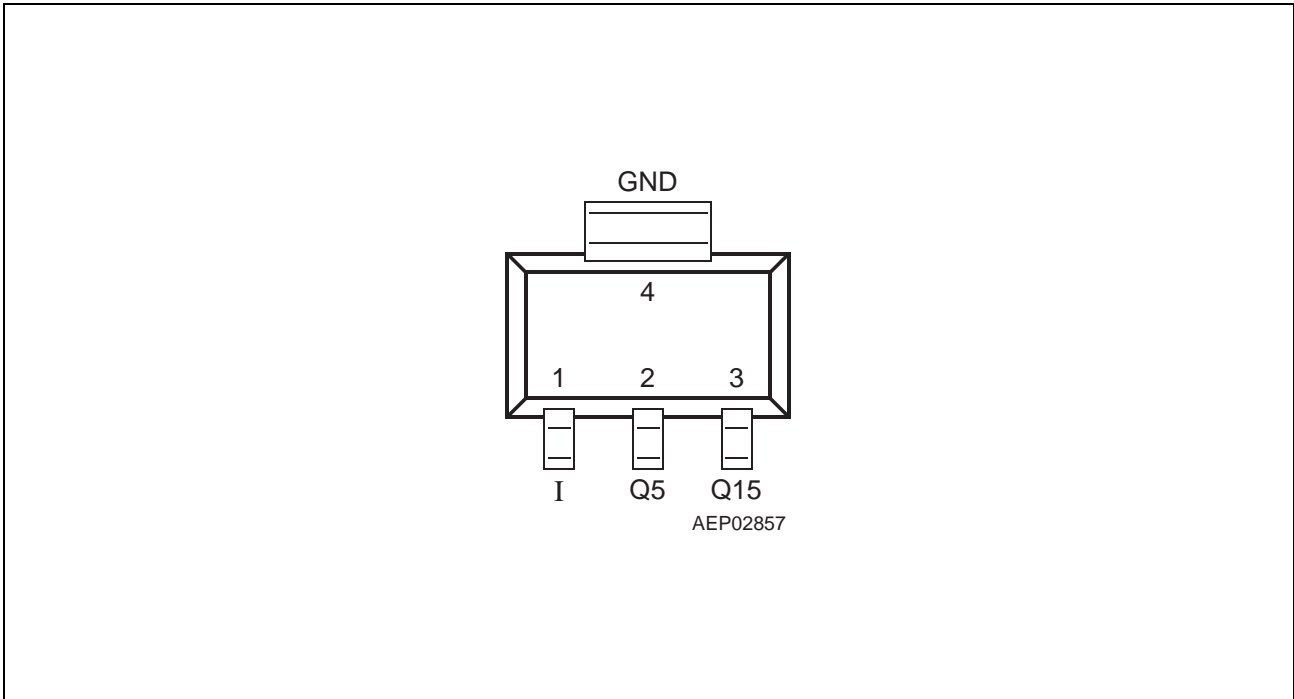


Figure 1

Pin Definitions and Functions

Pin No.	Symbol	Function
1	I	Input voltage; block to ground directly at the IC with a ceramic capacitor.
2	Q5	Output voltage for microcontroller and logic circuit; block to ground with a ceramic capacitor.
3	Q15	Output voltage for MOS driver circuit; block to ground with a ceramic capacitor.
4	GND	Ground

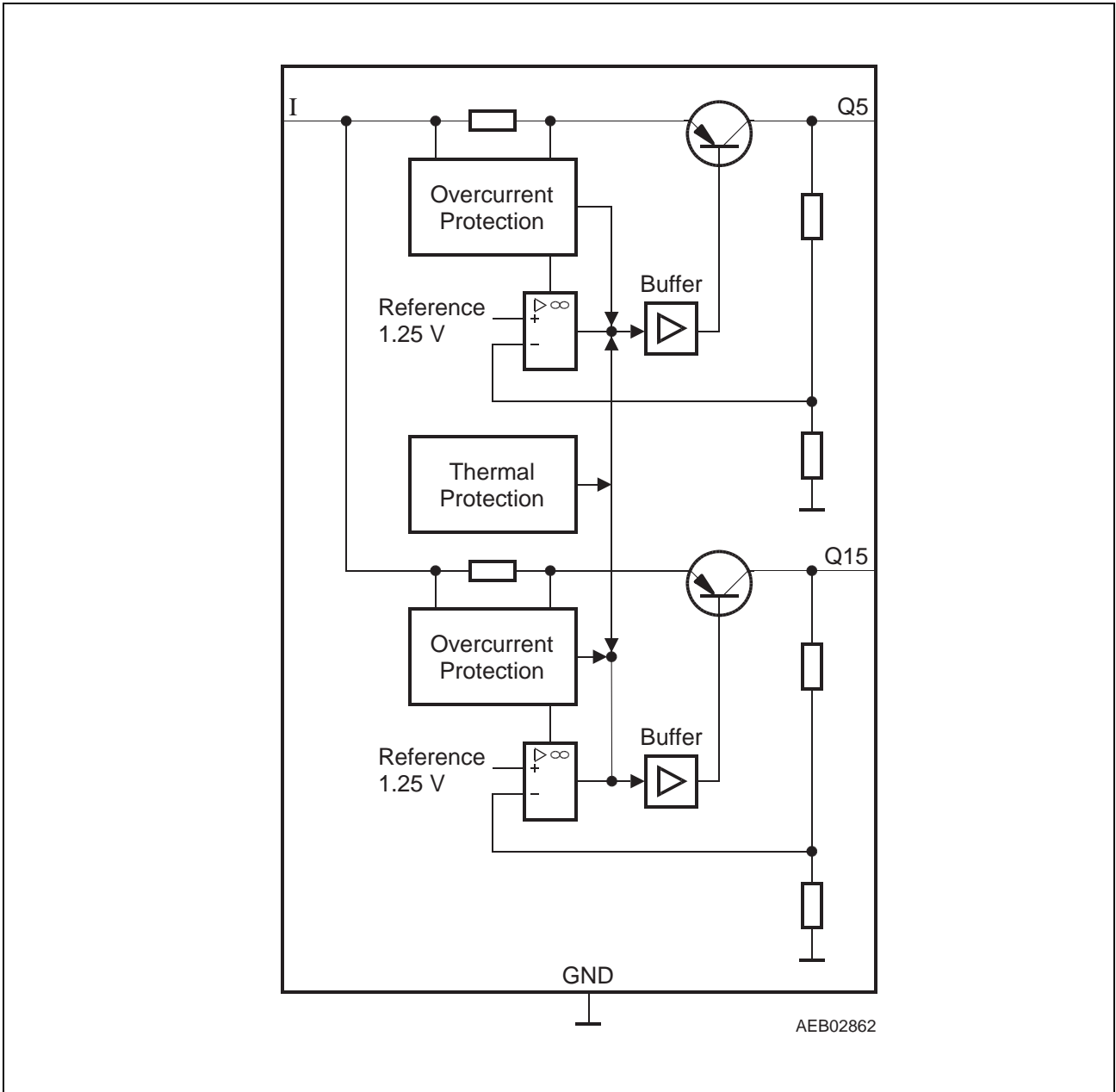


Figure 2 Block Diagram

Absolute Maximum Ratings

Parameter	Symbol	Limit Values		Unit	Remarks
		min.	max.		

Input

Voltage	V_I	- 0.3	45	V	-
Current	I_I	-	-	-	internally limited

Output Q5

Voltage	V_{Q5}	- 1	45	V	$V_{Q5} < V_I$
Current	I_{Q5}	-	-	-	internally limited

Output Q15

Voltage	V_{Q15}	- 1	45	V	$V_{Q15} < V_I$
Current	I_{Q15}	-	-	-	internally limited

GND

Current	I_{GND}	- 5	5	mA	-
---------	-----------	-----	---	----	---

Temperatures

Junction temperature	T_j	- 50	150	°C	1)
Storage temperature	T_{stg}	- 50	150	°C	-

ESD-Protection (Human Body Model)

all pins	V_{ESD}	- 2	2	kV	
----------	-----------	-----	---	----	--

1) The overtemperature protection will be set to 150 °C min. The voltage regulator should not be operated continuously at 170 °C as device reliability will be reduced to 500 h.

Note: Stresses above those listed here may cause permanent damage to the device. Exposure to absolute maximum rating conditions for extended periods may affect device reliability.

Operating Range

Parameter	Symbol	Limit Values		Unit	Remarks
		min.	max.		
Output Q5 input voltage	V_{I1}	6.5	45	V	–
Output Q15 input voltage	V_{I1}	16.5	45	V	–
Junction temperature	T_j	– 40	150	°C	–

Thermal Resistances

Junction ambient	$R_{th,j-a}$	–	165	K/W	zero airflow, zero heat sink area
------------------	--------------	---	-----	-----	-----------------------------------

Note: In the operating range, the functions given in the circuit description are fulfilled.

Electrical Characteristics

17 V < V_I < 42 V; -40 °C < T_j < 125 °C; all voltages with respect to ground; positive current defined flowing out of pin; unless otherwise specified.

Parameter	Symbol	Limit Values			Unit	Test Condition
		min.	typ.	max.		

Current Consumption

Quiescent current; $I_q = I_I - (I_{Q5} + I_{Q15})$	I_q	–	450	550	μA	$I_{Q5} = 1 \text{ mA};$ $I_{Q15} = 1 \text{ mA}$
Quiescent current; $I_q = I_I - (I_{Q5} + I_{Q15})$	I_q	–	0.76	1	mA	$I_{Q5} = 25 \text{ mA};$ $I_{Q15} = 30 \text{ mA}$

5 V Output Q5

Output voltage	V_{Q5}	4.85	5.00	5.15	V	$I_{Q5} = 10 \text{ mA}; T_j = 25 \text{ °C}$
Output voltage	V_{Q5}	4.75	–	5.25	V	$1 \text{ mA} < I_{Q5} < 25 \text{ mA}$
Output current limitation	I_{Q5}	16	40	–	mA	¹⁾
Output current limitation	I_{Q5}	30	–	–	mA	$T_j = 25 \text{ °C}$
Output drop voltage; $V_{DRQ5} = V_I - V_{Q5}$	V_{DRQ5}	–	0.9	1.5	V	$I_{Q5} = 25 \text{ mA}^{1)}$
Load regulation	ΔV_{Q5}	–	25	50	mV	$1 \text{ mA} < I_{Q5} < 25 \text{ mA};$ $V_I = 17 \text{ V}$
Line regulation	ΔV_{Q5}	–	20	50	mV	$I_{Q5} = 1 \text{ mA};$ $7 \text{ V} < V_I < 27 \text{ V}$
Power-Supply-Ripple- -Rejection	$PSRR5$	–	50	–	dB	$20 \text{ Hz} < f_r < 20 \text{ kHz};$ $V_r = 5 V_{SS}$
Value of output cap	C_{Q5}	1.0	–	–	μF	–
ESR of output cap	R_{ESRQ5}	–	–	2.0	Ω	–

Electrical Characteristics (cont'd)

17 V < V_I < 42 V; $-40\text{ }^\circ\text{C} < T_j < 125\text{ }^\circ\text{C}$; all voltages with respect to ground; positive current defined flowing out of pin; unless otherwise specified.

Parameter	Symbol	Limit Values			Unit	Test Condition
		min.	typ.	max.		

15 V Output Q15

Output voltage	V_{Q15}	14.4	15.0	15.6	V	$I_{Q15} = 15\text{ mA}$; $T_j = 25\text{ }^\circ\text{C}$
Output voltage	V_{Q15}	14.25		15.75	V	$1\text{ mA} < I_{Q15} < 30\text{ mA}$
Output current limitation	I_{Q15}	40	–	–	mA	¹⁾
Output drop voltage; $V_{DRQ15} = V_I - V_{Q15}$	V_{DRQ15}	–	0.9	1.5	V	$I_{Q15} = 30\text{ mA}$ ¹⁾
Load regulation	ΔV_{Q15}	–	10	50	mV	$1\text{ mA} < I_{Q15} < 30\text{ mA}$; $V_I = 17\text{ V}$
Line regulation	ΔV_{Q15}	–	80	150	mV	$I_{Q15} = 5\text{ mA}$; $16\text{ V} < V_I < 36\text{ V}$
Power-Supply-Ripple -Rejection	$PSRR_{15}$	–	50	–	dB	$20\text{ Hz} < f_r < 20\text{ kHz}$; $V_r = 5\text{ }V_{SS}$
Value of output cap	C_{Q15}	1.0	–	–	μF	–
ESR of output cap	R_{ESRQ15}	–	–	4.0	Ω	–

¹⁾ Measured when the output voltage V_Q has dropped 100 mV from the nominal value.

Note: The listed characteristics are ensured over the operating range of the integrated circuit. Typical characteristics specify mean values expected over the production spread. If not otherwise specified, typical characteristics apply at $T_A = 25\text{ }^\circ\text{C}$ and the given supply voltage.

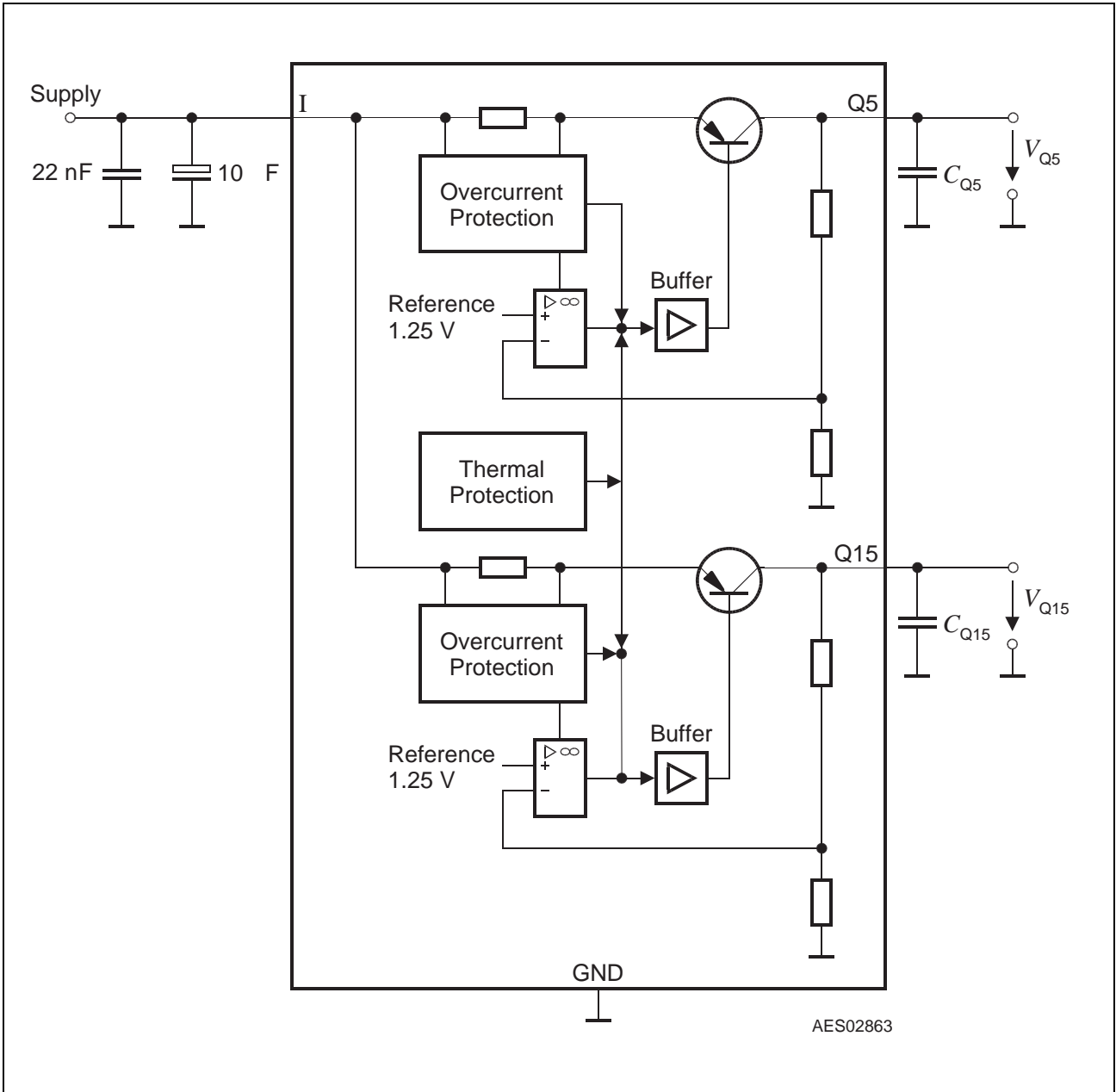
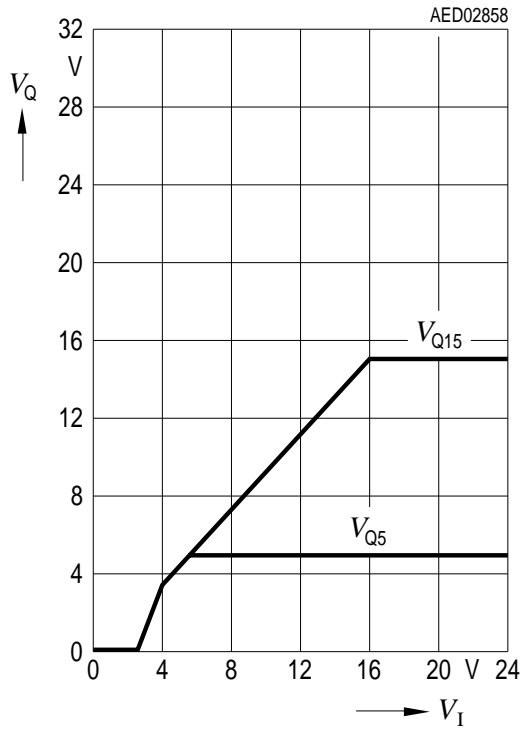


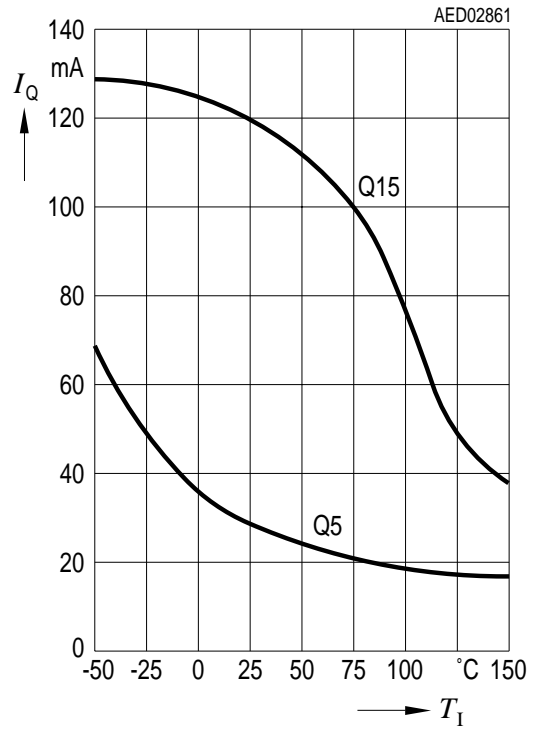
Figure 3 Application Circuit

Typical Performance Characteristics

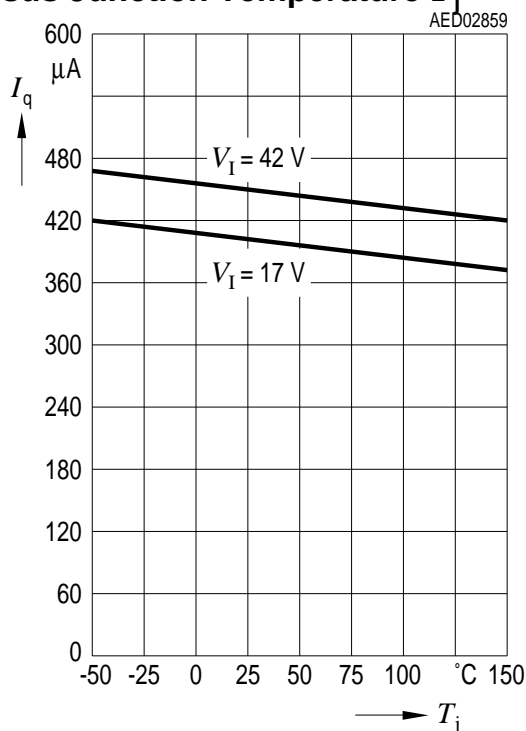
Output Voltage V_{Q5} and V_{Q15} versus Input Voltage V_I



Output Current Limit I_{Q5} and I_{Q15} versus Junction Temperature T_j

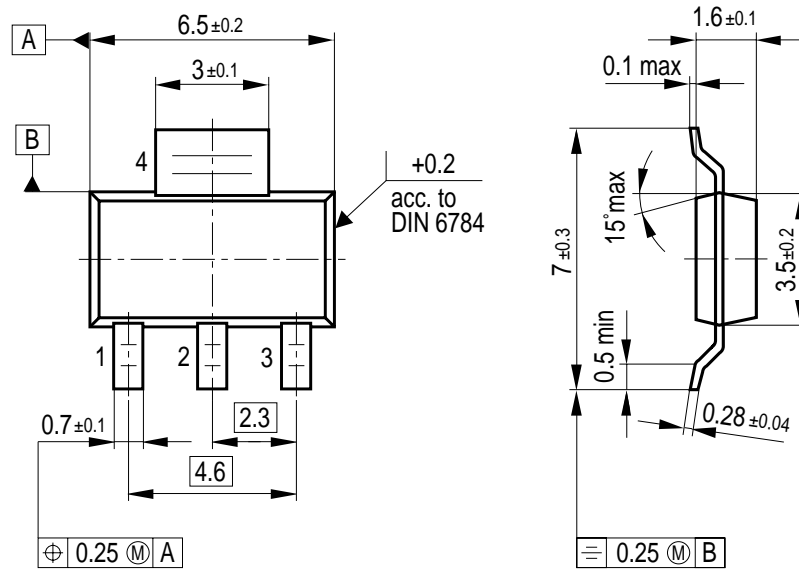


Current Consumption I_q versus Junction Temperature T_j



Package Outlines

P-SOT223-4-2 (SMD)
(Plastic Dual Small Outline)



Sorts of Packing

Package outlines for tubes, trays etc. are contained in our Data Book "Package Information"

SMD = Surface Mounted Device

Dimensions in mm

Edition 2000-08-04

**Published by Infineon Technologies AG,
St.-Martin-Strasse 53,
D-81541 München, Germany**

**© Infineon Technologies AG 2000.
All Rights Reserved.**

Attention please!

The information herein is given to describe certain components and shall not be considered as warranted characteristics.

Terms of delivery and rights to technical change reserved.

We hereby disclaim any and all warranties, including but not limited to warranties of non-infringement, regarding circuits, descriptions and charts stated herein.

Infineon Technologies is an approved CECC manufacturer.

Information

For further information on technology, delivery terms and conditions and prices please contact your nearest Infineon Technologies Office in Germany or our Infineon Technologies Representatives worldwide (see address list).

Warnings

Due to technical requirements components may contain dangerous substances. For information on the types in question please contact your nearest Infineon Technologies Office.

Infineon Technologies Components may only be used in life-support devices or systems with the express written approval of Infineon Technologies, if a failure of such components can reasonably be expected to cause the failure of that life-support device or system, or to affect the safety or effectiveness of that device or system. Life support devices or systems are intended to be implanted in the human body, or to support and/or maintain and sustain and/or protect human life. If they fail, it is reasonable to assume that the health of the user or other persons may be endangered.