

Audio

Line Matching Transformer

TPA2273

TPA2273 is a 600/900Ω to 600Ω line matching transformer with the following features:

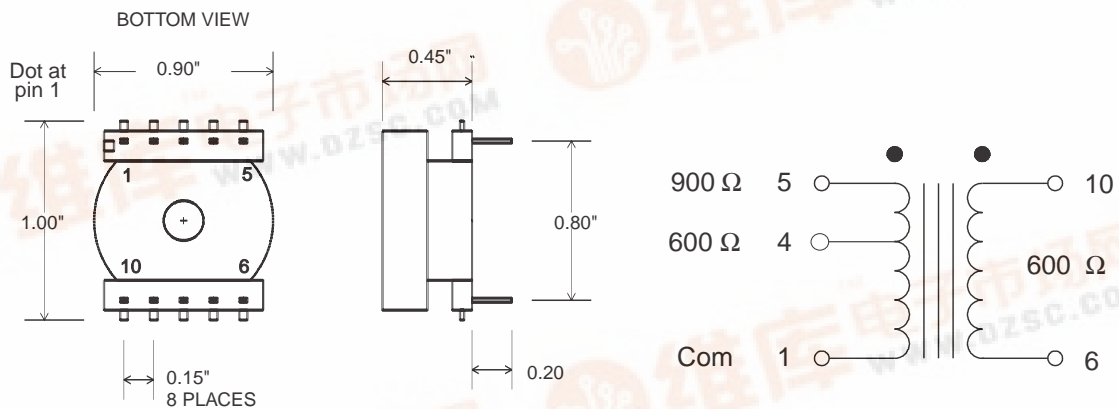
- Low profile.
- Conforming to FCC part 68 and CS 03 regulations.
- Low bridging and insertion losses.
- Low cost.

Applications:

Interfacing 600Ω or 900Ω line to a 600Ω load at the subscriber premises.



MECHANICAL



All dimensions are in inches

ELECTRICAL

Impedance	600/900 Ω 600 Ω	(1 - 4/5) (6 - 10)
Frequency Response	± 0.5 dB	100 Hz - 20 KHz
Insertion Loss	1.4 dB typ.	@ 1000 Hz
Longitudinal Balance	>60 dB	200 - 4000 Hz
Return Loss	>15 dB	200 - 4000 Hz
Phase shift	<5 deg.	@ 200 Hz
Dielectric Strength	1320 Vrms	winding to winding & Windings to core

