



## SINGLE SYNCHRONOUS STEP-DOWN CONTROLLER

### FEATURES

- High Efficiency, Low Power Consumption, 4.5- $\mu$ A Typical Shutdown Current
- *Fixed Frequency Emulated On-Time Control*, Adjustable from 100 kHz to 550 kHz
- Fast Transient Response
- < 1% Initial Reference Accuracy
- Output Voltage Range: 0.75 V to 5.5 V
- Wide Input Voltage Range: 1.8 V to 28 V
- Selectable Auto-Skip/PWM-Only Operation
- Temperature Compensated (4500 ppm/ $^{\circ}$ C) Low-Side  $R_{DS(on)}$  Overcurrent Sensing
- Negative Overcurrent Limit
- Integrated Boost Diode
- Integrated OVP/UVP and Thermal Shutdown
- Power-Good Signal
- Internal 1.2-ms Voltage Softstart
- Output Discharge (Softstop)

### DESCRIPTION

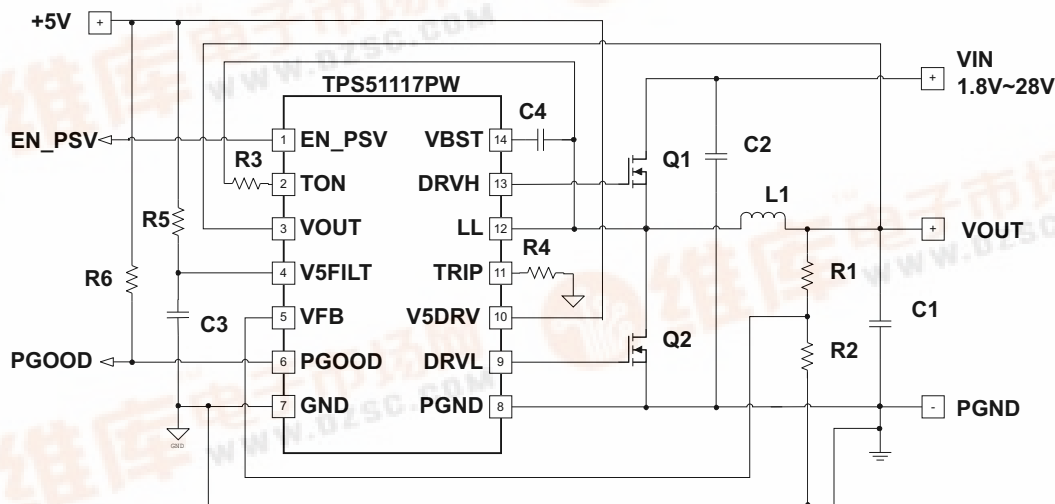
The TPS51117 is a cost effective, synchronous buck controller for POL voltage regulation in notebook PC applications. The controller is dedicated for Adaptive On-Time D-CAP™ Mode operation that provides ease of use, low external component count, and excellent fast transient response at the same time. Auto-skip mode for high efficiency down to the milli-ampere load range, or PWM-only mode for low noise operation is selectable.

The current sensing scheme for positive overcurrent and negative overcurrent protection is loss-less low-side  $R_{DS(on)}$  sensing plus temperature compensation. The device receives 5-V (4.5 V to 5.5 V) supply from another regulator such as the TPS51120 or TPS51020 in the NBPC system. The conversion input can be either VBAT or 5-V rail, ranging from 1.8 V to 28 V, and the output voltage range is from 0.75 V to 5.5 V.

The TPS51117 is available in the 14-pin TSSOP package and is specified from  $-40^{\circ}$ C to  $85^{\circ}$ C.

### APPLICATIONS

- Notebook Computers
- I/O Supplies
- System Power Supplies



# TPS51117

SLVS631–DECEMBER 2005



## ORDERING INFORMATION<sup>(1)(2)</sup>

T <sub>A</sub>	PACKAGE	ORDERING PART NUMBER	PINS	OUTPUT SUPPLY	MINIMUM ORDER QUANTITY	ECO PLAN
-40°C to 85°C	PLASTIC TSSOP (PW)	TPS51117PW	14	Tube	90	Green (RoHS & no Sb/Br)
		TPS51117PWR		Tape-and-Reel	2000	

- (1) All packaging options have Cu NIPDAU lead/ball finish.  
 (2) For the most current package and ordering information, see the Package Option Addendum at the end of this document, or see the TI website at [www.ti.com](http://www.ti.com).

## ABSOLUTE MAXIMUM RATINGS<sup>(1)</sup>

		VALUE	UNIT
Input voltage range	VBST	-0.3 to 36	V
	VBST (with respect to LL)	-0.3 to 6	
	EN_PSV, TRIP, V5DRV, V5FILT	-0.3 to 6	
	VOUT	-0.3 to 6	
	TON	-0.3 to 6	
Output voltage range	DRVH	-1 to 36	V
	DRVH (with respect to LL)	-0.3 to 6	
	LL	-1 to 30	
	PGOOD, DRVL	-0.3 to 6	
	PGND	-0.3 to 0.3	
T <sub>A</sub>	Operating free-air temperature	-40 to 85	°C
T <sub>stg</sub>	Storage temperature range	-55 to 150	°C
T <sub>J</sub>	Junction temperature range	-40 to 125	°C
	Lead temperature 1,6 mm (1/16 inch) from case for 10 seconds	260	°C

- (1) Stresses beyond those listed under *absolute maximum ratings* may cause permanent damage to the device. These are stress ratings only and functional operation of the device at these or any other conditions beyond those indicated under *recommended operating conditions* is not implied. Exposure to absolute-maximum-rated conditions for extended periods may affect device reliability.

## DISSIPATION RATINGS

PACKAGE	T <sub>a</sub> <25°C POWER RATING	DERATING FACTOR ABOVE T <sub>A</sub> = 25°C	T <sub>A</sub> = 85°C POWER RATING
14 pin TSSOP	750 mW	7.5 mW/°C	300 mW

## RECOMMENDED OPERATING CONDITIONS

over operating free-air temperature range (unless otherwise noted)

		MIN	MAX	UNIT
Supply input voltage range		4.5	5.5	V
Input voltage range	VBST	4.5	34	V
	VBST (with respect to LL)	4.5	5.5	
	EN_PSV, TRIP, V5DRV, V5FILT	-0.1	5.5	
	VOUT	-0.1	5.5	
	TON	-0.1	5.5	
Output voltage range	DRVH	-0.8	34	V
	DRVH (with respect to LL)	-0.1	5.5	
	LL	-0.8	28	
	PGOOD, DRVL	-0.1	5.5	
	PGND	-0.1	0.1	
Operating free-air temperature, T <sub>A</sub>		-40	85	°C

## ELECTRICAL CHARACTERISTICS

over operating free-air temperature range (unless otherwise noted)

PARAMETER		TEST CONDITIONS	MIN	TYP	MAX	UNIT
<b>SUPPLY CURRENT</b>						
$I_{V5FILTPWM}$	Supply current	V5FILT + V5DRV current, PWM, EN_PSV = float, VFB = 0.77V, LL = -0.1 V		400	750	$\mu$ A
$I_{V5FILTSKIP}$	Supply current	V5FILT + V5DRV current, auto-skip, EN_PSV = 5 V, VFB = 0.77V, LL = 0.5 V		250	470	$\mu$ A
$I_{V5DRVSDN}$	V5DRV shutdown current	V5DRV current, EN_PSV = 0 V		0	1	$\mu$ A
$I_{V5FILTSDN}$	V5FILT shutdown current	V5FILT current, EN_PSV = 0 V		4.5	7.5	$\mu$ A
<b>VOU AND VFB VOLTAGES</b>						
$V_{OUT}$	Output voltage	Adjustable output range	0.75		5.5	V
$V_{VFB}$	VFB regulation voltage			750		mV
$V_{VFB\_TOL}$	VFB regulation voltage tolerance	$T_A = 25^\circ\text{C}$ , bandgap initial accuracy	-0.9%		0.9%	
		$T_A = 0^\circ\text{C}$ to $85^\circ\text{C}$	-1.3%		1.3%	
		$T_A = -40^\circ\text{C}$ to $85^\circ\text{C}$	-1.6%		1.6%	
$I_{VFB}$	VFB input current	$V_{FB} = 0.75$ V, absolute value		0.02	0.1	$\mu$ A
$R_{Dischg}$	VOUT discharge resistance	EN_PSV = 0 V, $V_{OUT} = 0.5$ V		20	32	$\Omega$
<b>ON-TIME TIMER AND INTERNAL SOFT START</b>						
$T_{ONN}$	Nominal on time	$V_{LL} = 12$ V, $V_{OUT} = 2.5$ V, $R_{TON} = 250$ k $\Omega$		750		ns
$T_{ONF}$	Fast on time	$V_{LL} = 12$ V, $V_{OUT} = 2.5$ V, $R_{TON} = 100$ k $\Omega$	264	330	396	ns
$T_{ONS}$	Slow on time	$V_{LL} = 12$ V, $V_{OUT} = 2.5$ V, $R_{TON} = 400$ k $\Omega$		1169		ns
$T_{ON(MIN)}$	Minimum on time	$V_{OUT} = 0.75$ V, $R_{TON} = 100$ k $\Omega$ to 28 V <sup>(1)</sup>	80	110	140	ns
$T_{OFF(MIN)}$	Minimum off time	$V_{FB} = 0.7$ V, LL = -0.1 V, TRIP = open		440		ns
$T_{SS}$	Internal soft start time	Time from EN_PSV > 3 V to $V_{FB}$ regulation value = 0.735 V	0.82	1.2	1.5	ms
<b>OUTPUT DRIVERS</b>						
$R_{DRVH}$	DRVH resistance	Source, $V_{VBST-DRVH} = 0.5$ V		5	7	$\Omega$
		Sink, $V_{DRVH-LL} = 0.5$ V		1.5	2.5	$\Omega$
$R_{DRVL}$	DRVL resistance	Source, $V_{V5DRV-DRVL} = 0.5$ V		5	7	$\Omega$
		Sink, $V_{DRVL-PGND} = 0.5$ V		1.5	2.5	$\Omega$
$T_D$	Dead time	DRVH-low (DRVH = 1 V) to DRVL-high (DRVL = 4 V), LL = -0.05 V	10	20	50	ns
		DRVL-low (DRVL = 1 V) to DRVH-high (DRVH = 4V), LL = -0.05 V	30	40	60	ns
<b>INTERNAL BST DIODE</b>						
$V_{FBST}$	Forward voltage	$V_{V5DRV-VBST}$ , IF = 10 mA, $T_A = 25^\circ\text{C}$	0.7	0.8	0.9	V
$I_{VBSTLK}$	VBST leakage current	VBST = 34 V, LL = 28 V		0.1	1	$\mu$ A

 (1) Design constraint, ensure actual on-time is larger than the max value (i.e., design  $R_{TON}$  such that the min tolerance is 100 k $\Omega$ ).

**ELECTRICAL CHARACTERISTICS (Continued)**

over operating free-air temperature range (unless otherwise noted)

PARAMETER		TEST CONDITIONS	MIN	TYP	MAX	UNIT
<b>UVLO/LOGIC THRESHOLD</b>						
V <sub>UVLO</sub>	V5FILT UVLO Threshold	Wake up	3.7	3.9	4.1	V
		Hysteresis	200	300	400	mV
V <sub>EN_PSV</sub>	EN_PSV logic input voltage	EN_PSV low	0.7	1.0	1.3	V
		Hysteresis	150	200	250	mV
		EN_PSV float (set PWM_only mode)	1.7	1.95	2.25	V
		EN_PSV high (set Auto_skip mode)	2.4	2.65	2.9	V
		Hysteresis	100	175	250	mV
I <sub>EN_PSV</sub>	EN_PSV source current	EN_PSV = GND, absolute value <sup>(1)</sup>		1		μA
<b>POWERGOOD COMPARATOR</b>						
V <sub>THPG</sub>	PG threshold	PG in from lower (PGOOD goes high)	92.5%	95%	97.5%	
		PG low hysteresis (PGOOD goes low)	−4%	−5.5%	−7%	
		PG in from higher (PGOOD goes high)	102%	105%	107%	
		PG high hysteresis (PGOOD goes low)	4%	5.5%	7%	
I <sub>PGMAX</sub>	PG sink current	PGOOD = 0.5 V	2.5	7.5		mA
T <sub>PGDEL</sub>	PG delay	Delay for PGOOD in	45	63	85	μs
<b>CURRENT SENSE</b>						
I <sub>TRIP</sub>	TRIP source current	V <sub>TRIP</sub> < 0.3 V, T <sub>A</sub> = 25°C	9	10	11	μA
T <sub>CITRIP</sub>	ITRIP temperature coefficient	On the basis of 25°C		4500		ppm/°C
V <sub>Rtrip</sub>	Current limit threshold range setting range	V <sub>TRIP-GND</sub> voltage <sup>(1)</sup> , all temperatures	30		200	mV
V <sub>OCLoff</sub>	Overcurrent limit comparator offset	(V <sub>TRIP-GND</sub> −V <sub>PGND-LL</sub> ) voltage V <sub>TRIP-GND</sub> = 60 mV	−10	0	10	mV
V <sub>UCLoff</sub>	Negative overcurrent limit comparator offset	(V <sub>TRIP-GND</sub> −V <sub>LL-PGND</sub> ) voltage V <sub>TRIP-GND</sub> = 60 mV, EN_PSV = float	−9.5	0.5	10.5	mV
V <sub>ZCoff</sub>	Zero crossing comparator offset	V <sub>PGND-LL</sub> voltage, EN_PSV = 3.3 V	−9.5	0.5	10.5	mV
<b>UNDERVOLTAGE AND OVERVOLTAGE PROTECTION</b>						
V <sub>OVP</sub>	VFB OVP trip threshold	OVP detect	111%	115%	119%	
T <sub>OVPDEL</sub>	VFB OVP propagation delay	See <sup>(1)</sup>		1.5		μs
V <sub>UVP</sub>	VFB UVP trip threshold	UVP detect	65%	70%	75%	
		Hysteresis		10%		
T <sub>UVPDEL</sub>	VFB UVP delay		22	32	42	μs
T <sub>UVPEN</sub>	UVP enable delay	After 1.7 × T <sub>SS</sub> , UVP protection engaged	1.4	2	2.6	ms
<b>THERMAL SHUTDOWN</b>						
T <sub>SDN</sub>	Thermal shutdown threshold	Shutdown temperature <sup>(1)</sup>		160		°C
		Hysteresis <sup>(1)</sup>		12		°C

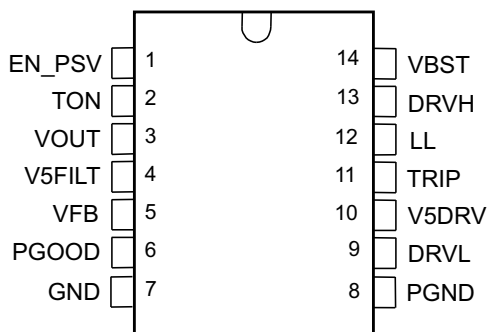
(1) Ensured by design. Not production tested.

## DEVICE INFORMATION

### TERMINAL FUNCTIONS

TERMINAL		I/O	DESCRIPTION
NAME	NO.		
DRVH	13	O	High-side NFET gate driver output. Source 5 $\Omega$ , sink 1.5 $\Omega$ LL-node referenced driver. Drive voltage corresponds to VBST to LL voltage.
DRVL	9	O	Rectifying (low-side) NFET gate driver output. Source 5 $\Omega$ , sink 1.5 $\Omega$ PGND referenced driver. Drive voltage is V5DRV voltage.
EN_PSV	1	I	Enable/power save pin. Connect to ground to disable SMPS. Connect to 3.3 V or 5 V to turn on SMPS and activate skip mode. Float to turn on SMPS but disable skip mode (forced continuous conduction mode).
GND	7	I	Signal ground pin.
LL	12	I/O	High-side NFET gate driver return. Also serves as anode of overcurrent comparator.
PGND	8	I/O	Ground return for rectifying NFET gate driver. Also cathode of overcurrent protection and source node of the output discharge switch.
PGOOD	6	O	Power-good window comparator, open-drain, output. Pull up to 5-V rail with a pull-up resistor. Current capability is 7.5 mA.
TON	2	I	On-time / frequency adjustment pin. Connect to LL with 100-k $\Omega$ to 600-k $\Omega$ resistor.
TRIP	11	I	Overcurrent trip point set input. Connect resistor from this pin to signal ground to set threshold for both overcurrent and negative overcurrent limit.
VBST	14	I	Supply input for high-side NFET gate driver (boost terminal). Connect capacitor from this pin to LL-node. An internal PN diode is connected between V5DRV to this pin. Designer can add external schottky diode if forward drop is critical to drive the power NFET.
VFB	5	I	SMPS voltage feedback input. Connect the resistor divider here for adjustable output.
VOUT	3	I	Connect to SMPS output. This terminal serves two functions: output voltage monitor for on-time adjustment, and input for the output discharge switch.
V5DRV	10	I	5-V Power supply input for FET gate drivers. Internally connected to VBST by a PN diode. Connect 1 $\mu$ F or more between this pin and PGND to support instantaneous current for gate drivers.
V5FILT	4	I	5-V Power supply input for all the control circuitry except gate drivers. Supply 5-V ramp rate should be 17 mV/us or less and $T_J < 85^\circ\text{C}$ to secure safe start-up of the internal reference circuit. Apply RC filter consists of 300 $\Omega$ + 1 $\mu$ F or 100 $\Omega$ + 4.7 $\mu$ F at the pin input.

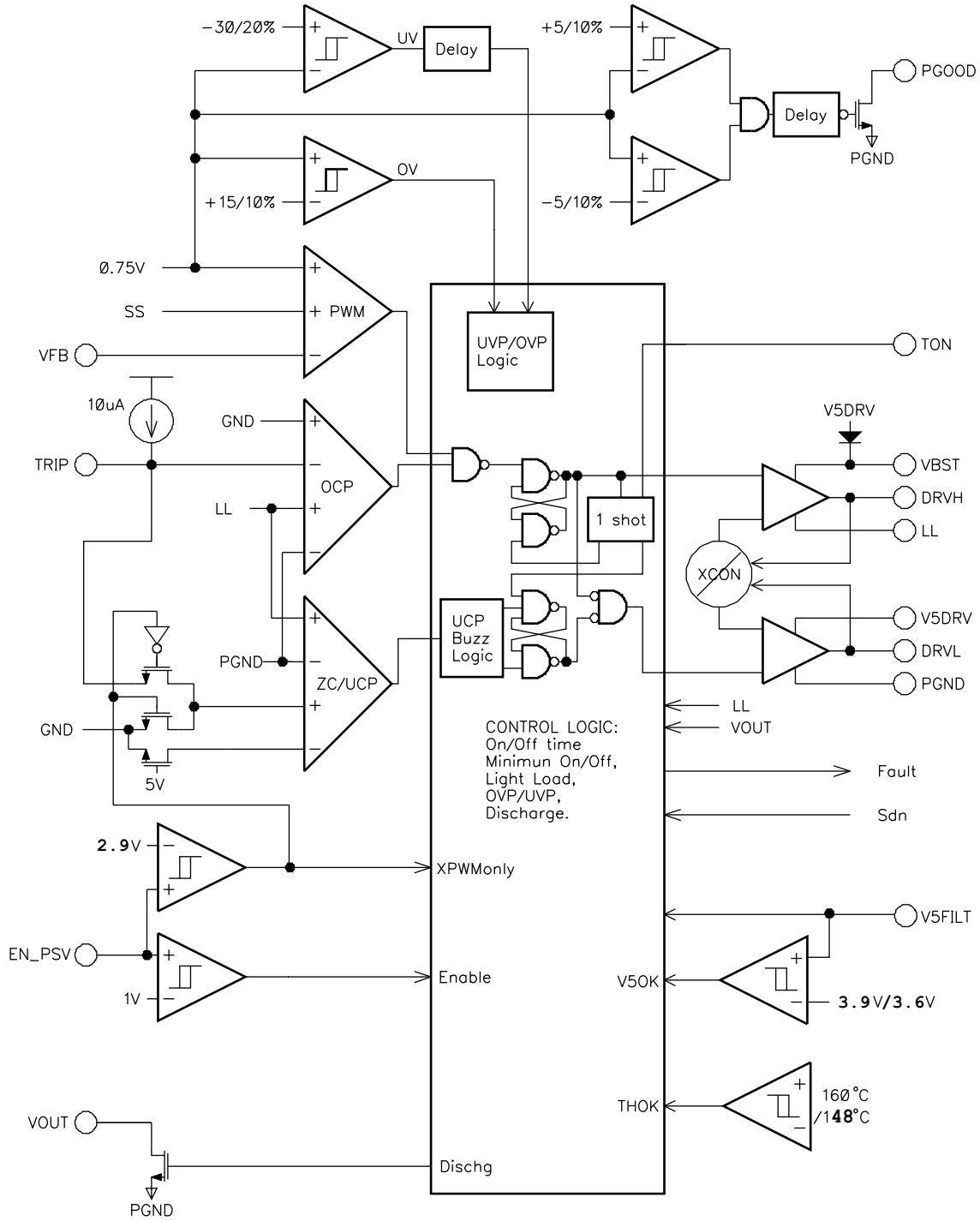
**TSSOP (PW) PACKAGE  
(TOP VIEW)**



# TPS51117

SLVS631-DECEMBER 2005

## FUNCTIONAL BLOCK DIAGRAM



## DETAILED DESCRIPTION

### PWM OPERATION

The main control loop of the TPS51117 is designed as an adaptive on-time pulse width modulation (PWM) controller. It supports proprietary D-CAP™ Mode that uses an internal compensation circuit and is suitable for minimal external component count configuration when an appropriate amount of ESR at the output capacitor(s) is allowed. Basic operation of D-CAP Mode can be described as follows.

At the beginning of each cycle, the synchronous high-side MOSFET is turned on, or becomes *ON* state. This MOSFET is turned off, or becomes *OFF* state, after the internal one shot timer expires. This one shot is determined by  $V_{IN}$  and  $V_{OUT}$  to keep the frequency fairly constant over the input voltage range at steady state, hence it is called adaptive on-time control or *fixed frequency emulated* on-time control (see *PWM frequency and Adaptive On-Time Control*). The MOSFET is turned on again when both feedback information, monitored at  $V_{FB}$  voltage, indicates insufficient output voltage *AND* inductor current information indicates below the overcurrent limit. Repeating the operation in this manner, the controller regulates the output voltage. The synchronous low-side or *rectifying* MOSFET is turned on each *OFF* state to keep the conduction loss to a minimum.

The TPS51117 supports selectable PWM-only and auto-skip operation modes. If EN\_PSV is grounded, the switching regulator is disabled. If the EN\_PSV pin is connected to 3.3 V or 5 V, the regulator is enabled with auto-skip mode selected. The rectifying MOSFET is turned off when inductor current information detects zero level. This enables a seamless transition to reduced frequency operation during a light load condition so that high efficiency is maintained over a broad range of load currents. If the EN\_PSV pin is floated, it is internally pulled up to 1.95 V, and the regulator is enabled with PWM-only mode selected. The rectifying MOSFET is not turned off when inductor current reaches zero. The converter runs forced continuous conduction mode for the entire load range. System designers may want to use this mode to avoid a certain frequency during a light load condition but with the cost of low efficiency. However, be aware the output has the capability to both source and sink current in this mode. If the output terminal is connected to a voltage source higher than the regulator's target, the converter sinks current from the output and boosts the charge into the input capacitor. This may cause unexpected high voltage at  $V_{IN}$  and may damage the power FETs.

DC output voltage can be set by the external resistor divider as follows (refer to [Figure 22](#) and [Figure 23](#)).

$$V_{OUT} \approx \left( 1 - \frac{R_1}{R_2} \right) \times 0.75 \text{ V} \quad (1)$$

### LIGHT LOAD CONDITION WITH AUTO-SKIP FUNCTION

If auto-skip mode is selected, the TPS51117 automatically reduces the switching frequency during a light load condition to maintain high efficiency. This reduction of frequency is achieved smoothly and without an increase of  $V_{out}$  ripple or load regulation. Detailed operation is described as follows. As the output current decreases from a heavy load condition, the inductor current is also reduced and eventually comes to the point that its *valley* touches zero current, which is the boundary between continuous conduction and discontinuous conduction modes. The rectifying MOSFET is turned off when this zero inductor current is detected. Since the output voltage is still higher than the reference at this moment, both high-side and low-side MOSFETs are turned off and wait for the next cycle. As the load current decreases further, the converter runs in discontinuous conduction mode, taking longer time to discharge the output capacitor below the reference voltage. Note the ON time is kept the same as during the heavy load condition. In reverse, when the output current increases from a light load to a heavy load, the switching frequency increases to the preset value as the inductor current reaches to the continuous conduction. The transition load point to light load operation,  $I_{OUT(LL)}$  (i.e., the threshold between continuous and discontinuous conduction mode), can be calculated as follows:

$$I_{OUT(LL)} \approx \frac{1}{2 \times L \times f_{sw}} \times \frac{(V_{IN} - V_{OUT}) \times V_{OUT}}{V_{IN}} \quad (2)$$

where  $f_{sw}$  is the PWM switching frequency.

Switching frequency versus output current in the light load condition is a function of  $L$ ,  $f_{sw}$ ,  $V_{IN}$  and  $V_{OUT}$ , but it decreases almost proportional to the output current from the  $I_{OUT(LL)}$  given above. For example, it is about 60 kHz at  $I_{OUT(LL)}/5$  if the PWM switching frequency is 300 kHz.

## DETAILED DESCRIPTION (continued)

### PWM FREQUENCY AND ADAPTIVE ON-TIME CONTROL

The TPS51117 employs an adaptive on-time control scheme and does not have a dedicated oscillator on board. However, the device emulates a constant frequency by feed-forwarding the input and output voltages into the on-time one-shot timer. The ON time is controlled inverse proportional to the input voltage, and proportional to the output voltage, so that the duty ratio is kept as  $V_{OUT}/V_{IN}$  technically with the same cycle time. Equation 3 shows a simplified calculation of the on time.

$$T_{ON} = \left( 19 \times 10^{-12} \times R_{TON} \frac{(2/3)V_{OUT} - 100 \text{ mV}}{V_{IN}} \right) - 50 \text{ ns} \quad (3)$$

Here,  $R_{TON}$  is the external resistor connected from TON pin to the LL node. In the equation, 19 pF represents the internal timing capacitor with some typical parasitic capacitance at the TON pin. Also, 50 nsec is the turn-off delay time contributed by the internal circuit and that of the high-side MOSFET. Although this equation provides a good approximation to start with, the accuracy depends on each design and selection of the high-side MOSFET. Figure 1 shows the relationship of  $R_{TON}$  to the switching frequency.

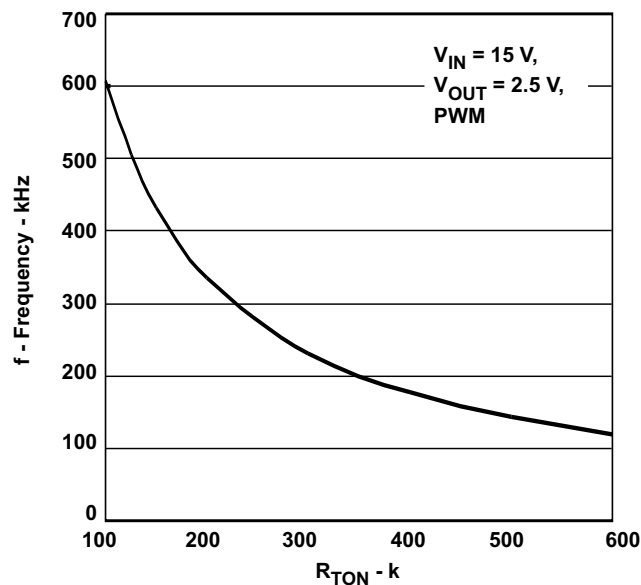


Figure 1. Switching Frequency vs  $R_{TON}$

The TPS51117 does not have a pin connected to  $V_{IN}$ , but the input voltage information comes from the switch node (LL node) during the ON state. An advantage of LL monitoring is that the loss in the high-side NFET is now a part of the on-time calculation, thereby making the frequency more stable with load.

Another consideration about frequency is jitter. Jitter may be caused by many reasons, but the constant on-time D-CAP mode scheme has some amount of inherent jitter. Since the output voltage ripple height is in the range of a couple of tens of milli-volts. A milli-volt order of noise on the feedback signal can affect the frequency by a few to ten percent. This is normal operation and has little harm to the power supply performance.

### LOW-SIDE DRIVER

The low-side driver is designed to drive high-current, low  $R_{DS(on)}$  N-channel MOSFET(s). The drive capability is represented by its internal resistance, which is  $5 \Omega$  for V5DRV to DRV1 and  $1.5 \Omega$  for DRV1 to PGND. A dead time to prevent shoot through is internally generated between high-side MOSFET off to low-side MOSFET on, and low-side MOSFET off to high-side MOSFET on. A 5-V bias voltage is delivered from V5DRV supply. The average drive current is calculated by the FET gate charge at  $V_{GS} = 5 \text{ V}$  times the switching frequency. The instantaneous drive current is supplied by an input capacitor connected between V5DRV and GND.



## DETAILED DESCRIPTION (continued)

### HIGH-SIDE DRIVER

The high-side driver is designed to drive high-current, low  $R_{DS(on)}$  N-channel MOSFET(s). When configured as a floating driver, 5-V bias voltage is delivered from V5DRV supply. An internal PN diode is connected between V5DRV to this pin. The designer can add an external schottky diode if forward drop is critical to drive the high-side NFET or to achieve the last one percent efficiency improvement. The average drive current is also estimated by the gate charge at  $V_{gs} = 5$  V times the switching frequency. The instantaneous drive current is supplied by the flying capacitor between the VBST pin and LL pin. The drive capability is represented by its internal resistance, which is 5  $\Omega$  for VBST to DRVH and 1.5  $\Omega$  for DRVH to LL.

### SOFTSTART

The TPS51117 has an internal, 1.2-ms, voltage servo softstart with overcurrent limit. When the EN\_PSV pin becomes high, an internal DAC begins ramping up the reference voltage to the error amplifier. Smooth control of the output voltage is maintained during start up.

### POWERGOOD

The TPS51117 has power-good output. PGOOD is an open drain 7.5-mA pull-down output. This pin should be typically connected to a 5-V power supply node through a 100-k $\Omega$  resistor. The power-good function is activated after the soft start has finished. If the output voltage becomes within  $\pm 5\%$  of the target value, internal comparators detect the power-good state and the power-good signal becomes high after a 64- $\mu$ s internal delay. If the output voltage goes outside  $\pm 10\%$  of the target value, the power-good signal becomes low immediately.

### OUTPUT DISCHARGE CONTROL (SOFTSTOP)

The TPS51117 discharges output when EN\_PSV is low or the converter is in a fault condition (UVP, OVP, UVLO, or thermal shutdown). The TPS51117 discharges output using an internal 20- $\Omega$  MOSFET which is connected to VOUT and PGND. The discharge time-constant is a function of the output capacitance and resistance of the discharge transistor.

### OVERCURRENT LIMIT

The TPS51117 has cycle-by-cycle overcurrent limiting control. Inductor current is monitored during the *OFF* state and the controller keeps the *OFF* state when inductor current is larger than the overcurrent trip level. In order to provide both good accuracy and a cost effective solution, the TPS51117 supports temperature compensated MOSFET  $R_{DS(on)}$  sensing. The TRIP pin should be connected to GND through the trip voltage setting resistor,  $R_{TRIP}$ . The TRIP terminal sources 10- $\mu$ A  $I_{TRIP}$  current, and the trip level is set to the OCL trip voltage,  $V_{TRIP}$  as in the following equation.

$$V_{TRIP}(mV) = R_{TRIP}(k\Omega) \times 10 (\mu A) \quad (4)$$

Inductor current is monitored by the voltage between the PGND pin and the LL pin so the LL pin should be connected to the drain terminal of the low-side MOSFET.  $I_{TRIP}$  has 4500 ppm/ $^{\circ}$ C temperature coefficient to compensate the temperature dependency of the  $R_{DS(on)}$ . PGND is used as the positive current sensing node so PGND should be connected to the source terminal of the bottom MOSFET.

As the comparison is done during the *OFF* state,  $V_{TRIP}$  sets the valley level of the inductor current. Thus, the load current at overcurrent threshold,  $I_{ocp}$ , can be calculated as follows;

$$I_{ocp} = \left( \frac{V_{TRIP}}{R_{DS(on)}} - \frac{I_{ripple}}{2} \right) \times \frac{1}{L \times f} \times \frac{V_{IN} \approx V_{OUT} \times V_{OUT}}{V_{IN}} \quad (5)$$

In an overcurrent condition, the current to the load exceeds the current to the output capacitor thus the output voltage tends to fall. Eventually it crosses the undervoltage protection threshold and shutdown.

## DETAILED DESCRIPTION (continued)

### NEGATIVE OVERCURRENT LIMIT (PWM-ONLY MODE)

The TPS51117 also supports cycle-by-cycle negative overcurrent limiting in PWM-only mode. The overcurrent limit is set to be negative but is the same absolute value as the positive overcurrent limit. If output voltage continues to rise, the bottom MOSFET stays on, thus inductor current is reduced and reverses direction after it reaches zero. When there is too much negative current in the inductor, the bottom MOSFET is turned off and the current flows to VIN through the body diode of the top MOSFET. Because this protection reduces current to discharge the output capacitor, output voltage tends to rise, eventually hitting the overvoltage protection threshold and shutdown. In order to prevent false OVP from triggering, the bottom MOSFET is turned on again 400 ns after it is turned off. If the device hits the negative overcurrent threshold again before output voltage is discharged to the target level, the bottom MOSFET is turned off and the process repeats, which is called *NOCL Buzz*. It ensures maximum allowable discharge capability when output voltage continues to rise. On the other hand, if the output voltage is discharged to the target level before the NOCL threshold is reached, the bottom MOSFET is turned off, the top MOSFET is then turned on, and the device resumes normal operation.

### OVERVOLTAGE PROTECTION

The TPS51117 monitors a resistor divided feedback voltage to detect overvoltage and undervoltage condition. When the feedback voltage becomes higher than 115% of the target value, the top MOSFET is turned off and the bottom MOSFET is turned on immediately. The output is also discharged by the internal 20- $\Omega$  transistor. Also, the TPS51117 monitors VOUT terminal voltage directly and if it becomes greater than 5.75 V, it turns off the top MOSFET driver.

### UNDERVOLTAGE PROTECTION

When the feedback voltage becomes lower than 70% of the target value, the UVP comparator output goes high and an internal UVP delay counter begins counting. After 32  $\mu$ s, the TPS51117 latches off the high-side and low-side MOSFETs and discharges the output with the internal 20- $\Omega$  transistor. This function is enabled after 2 ms from when EN\_PSV is brought high, i.e., UVP is disabled during start up.

### UVLO PROTECTION

The TPS51117 has V5FILT undervoltage lockout protection (UVLO). When the V5FILT voltage is lower than the UVLO threshold voltage, the TPS51117 is shut off. This is a nonlatched protection.

### THERMAL SHUTDOWN

The TPS51117 monitors the temperature of itself. If the temperature exceeds the threshold value (typically 160°C), the TPS51117 shuts itself off. Both top and bottom gate drivers are tied low with output discharged through the VOUT terminal. This is also a nonlatched protection. The device recovers once the temperature has decreased approximately 12°C.

**TYPICAL CHARACTERISTICS**

**PWM SUPPLY CURRENT  
vs  
JUNCTION TEMPERATURE**

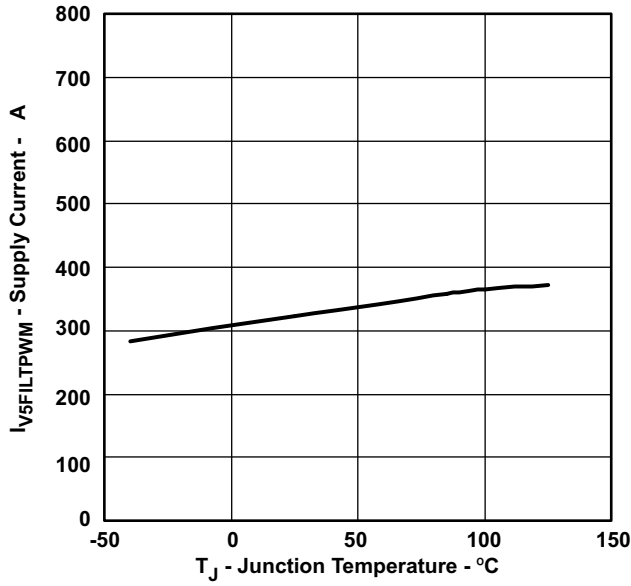


Figure 2.

**V5FILT SHUTDOWN CURRENT  
vs  
JUNCTION TEMPERATURE**

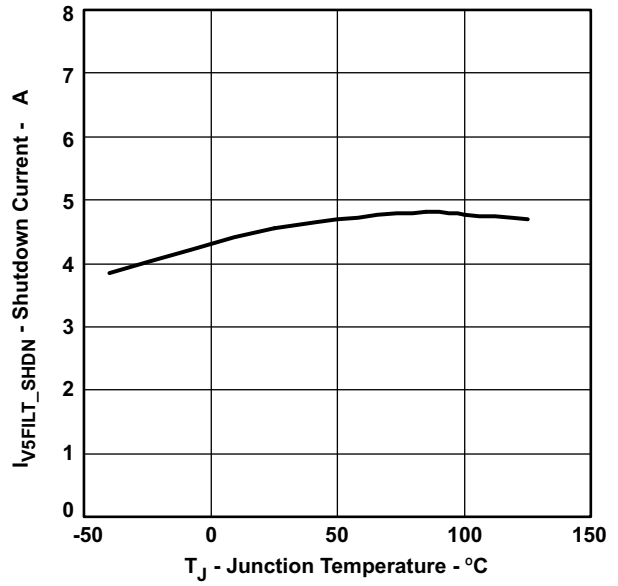


Figure 3.

**TRIP CURRENT  
vs  
JUNCTION TEMPERATURE**

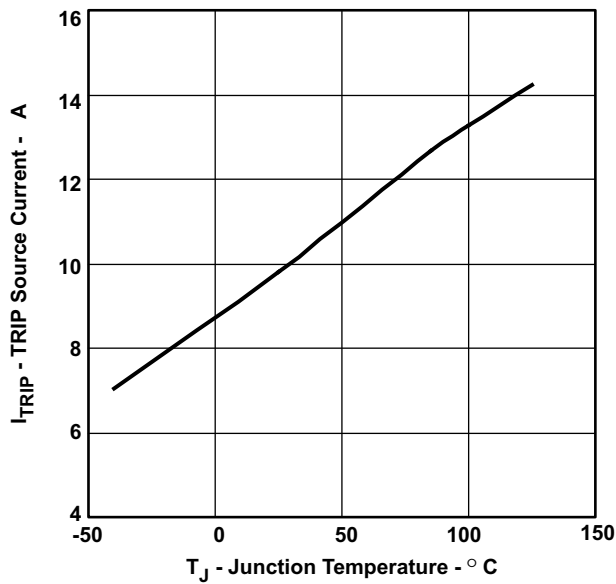


Figure 4.

**OVP/UVP THRESHOLD  
vs  
JUNCTION TEMPERATURE**

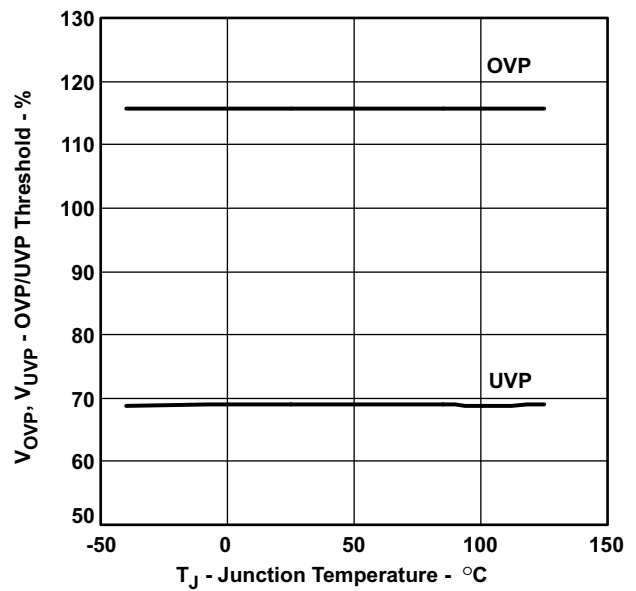


Figure 5.

TYPICAL CHARACTERISTICS (continued)

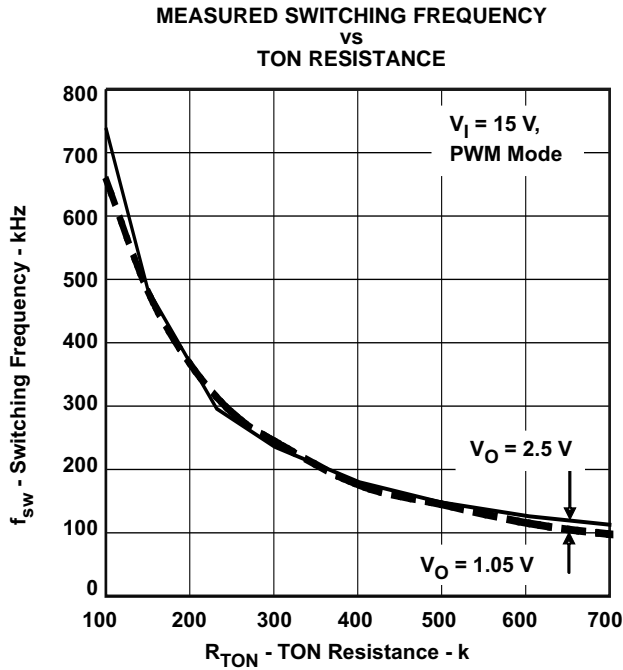


Figure 6.

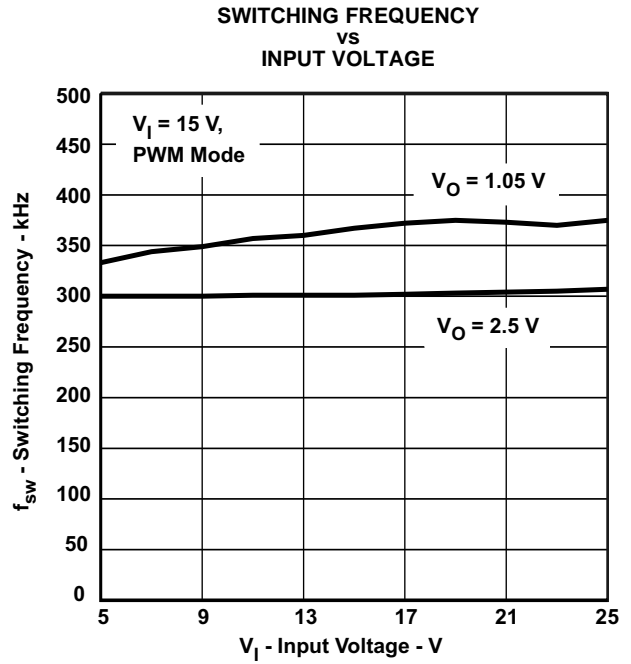


Figure 7.

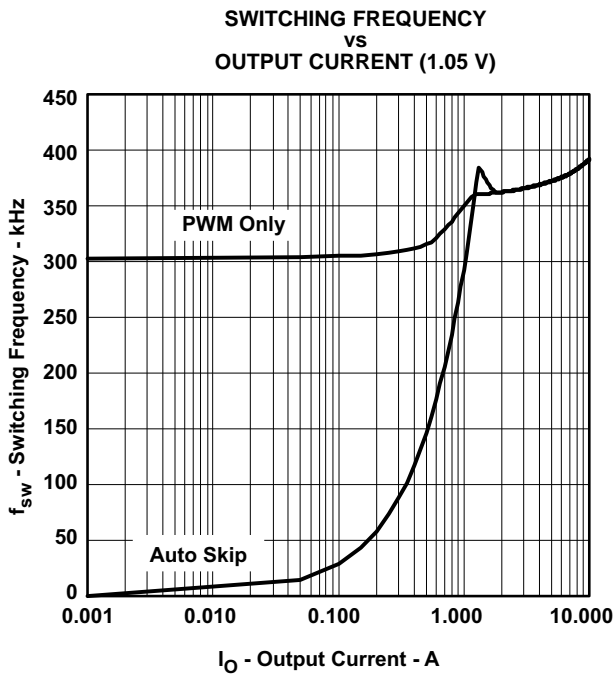


Figure 8.

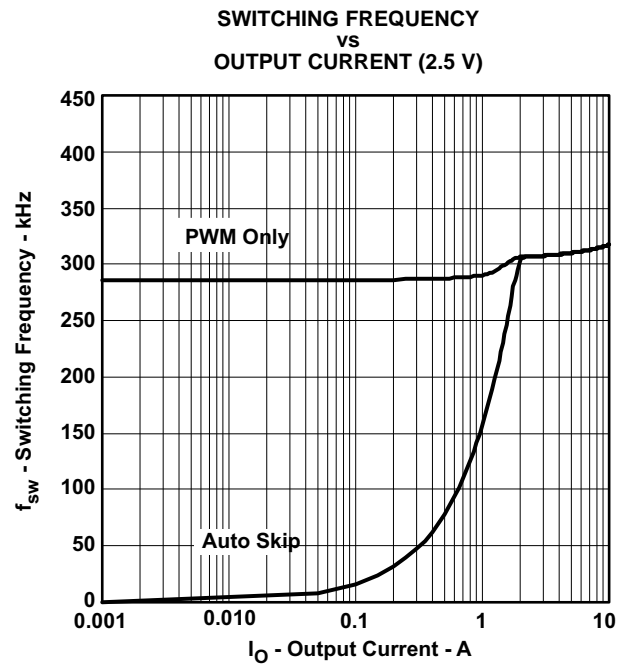


Figure 9.

**TYPICAL CHARACTERISTICS (continued)**

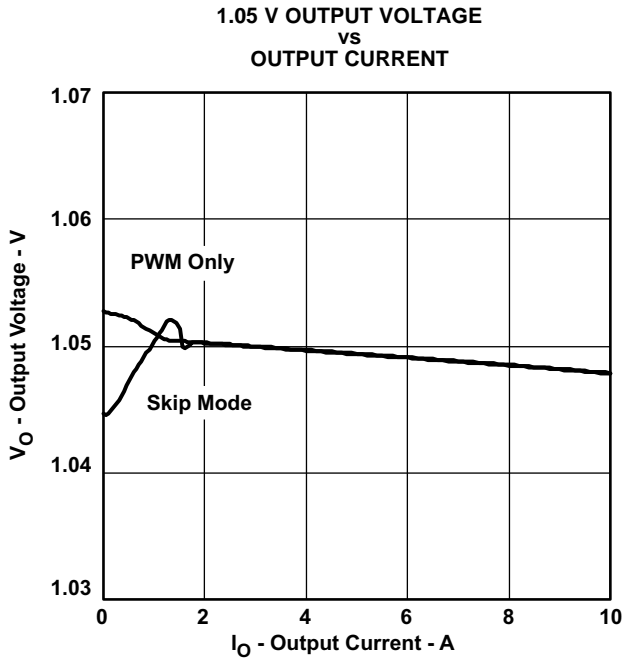


Figure 10.

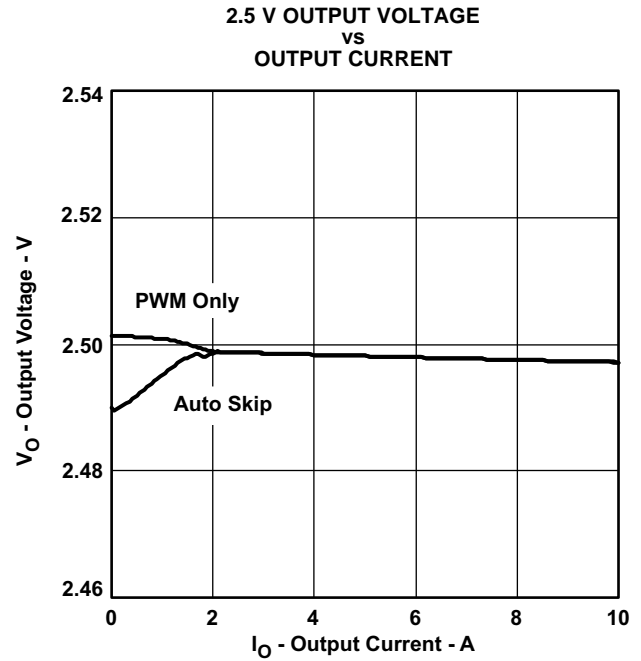


Figure 11.

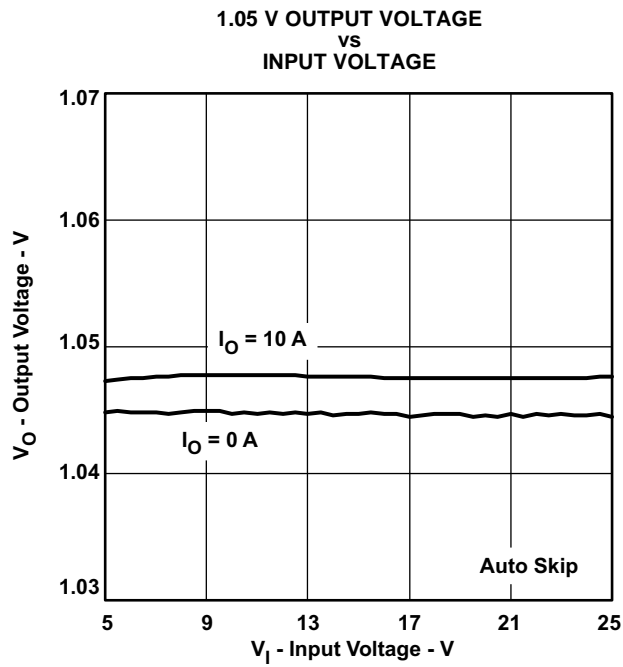


Figure 12.

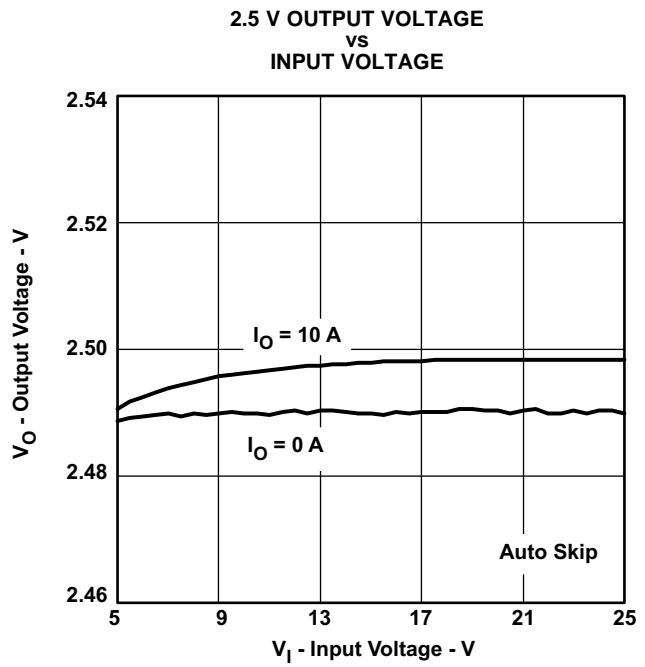


Figure 13.

TYPICAL CHARACTERISTICS (continued)

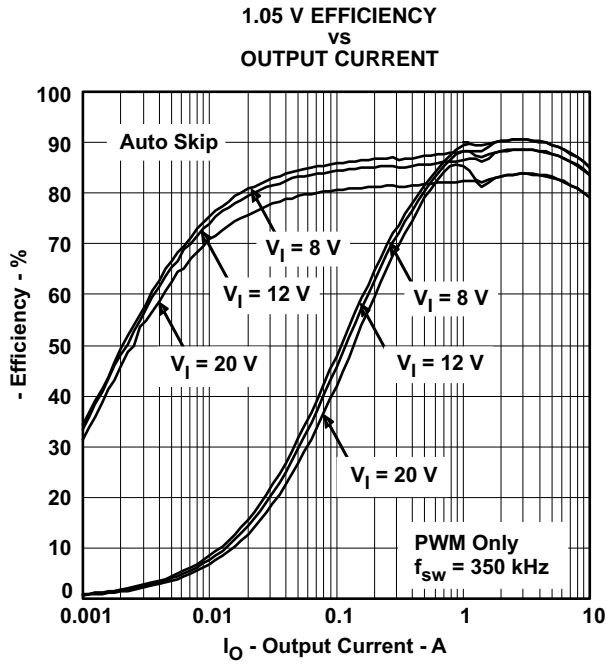


Figure 14.

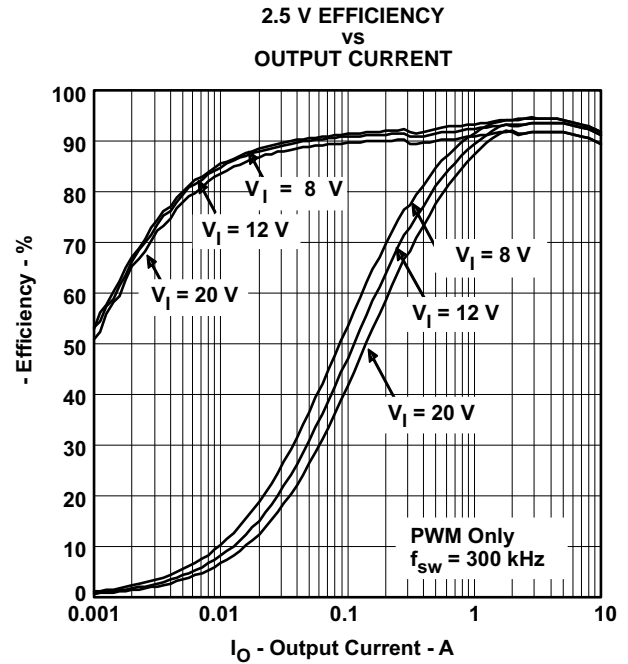


Figure 15.

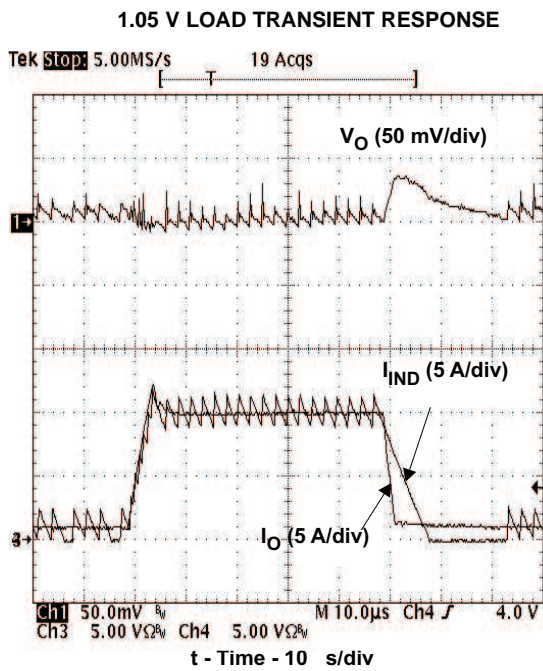


Figure 16.

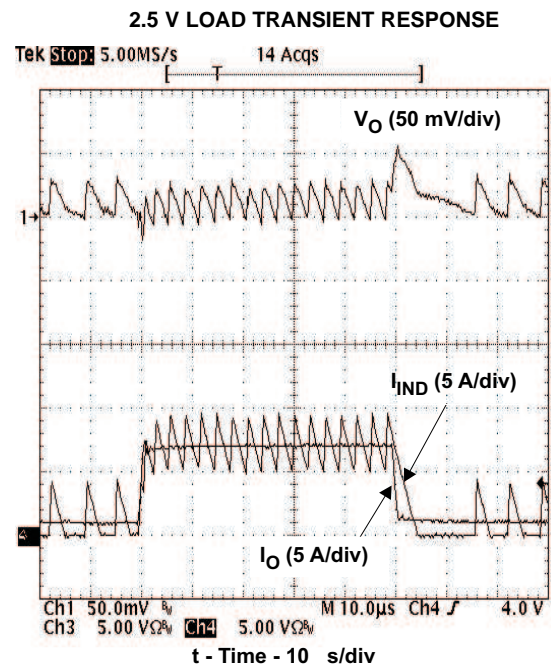


Figure 17.

**TYPICAL CHARACTERISTICS (continued)**

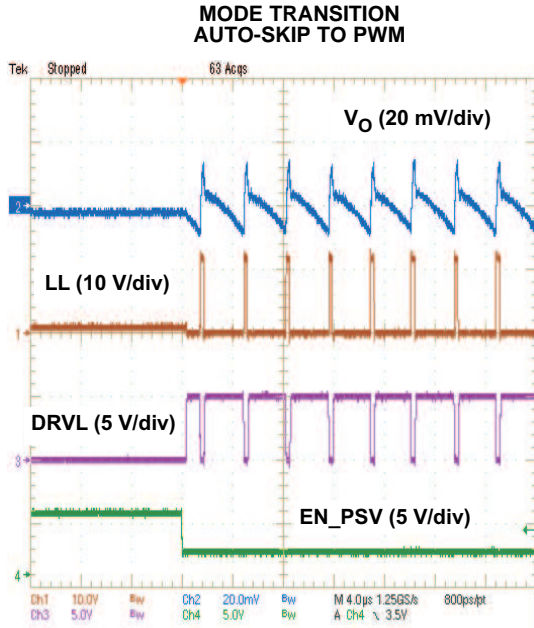


Figure 18.

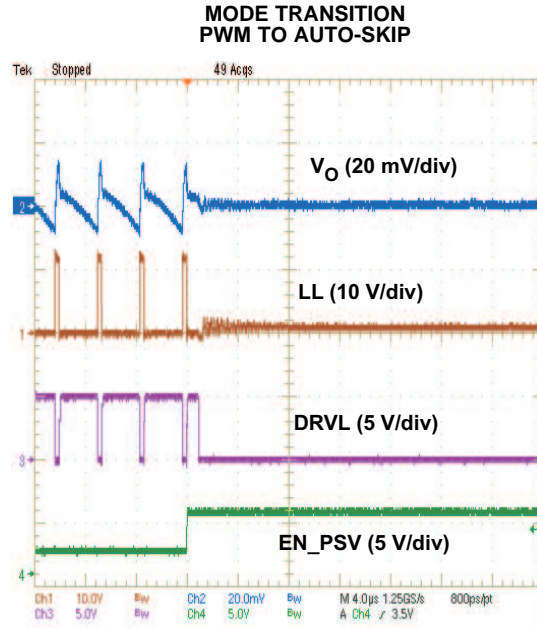


Figure 19.

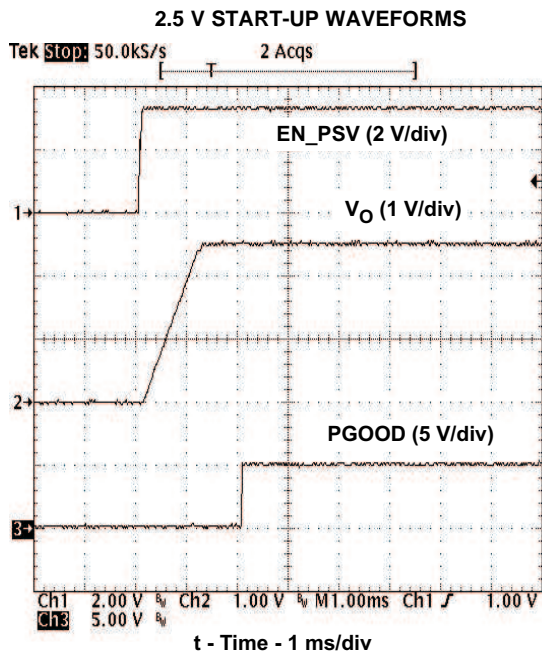


Figure 20.

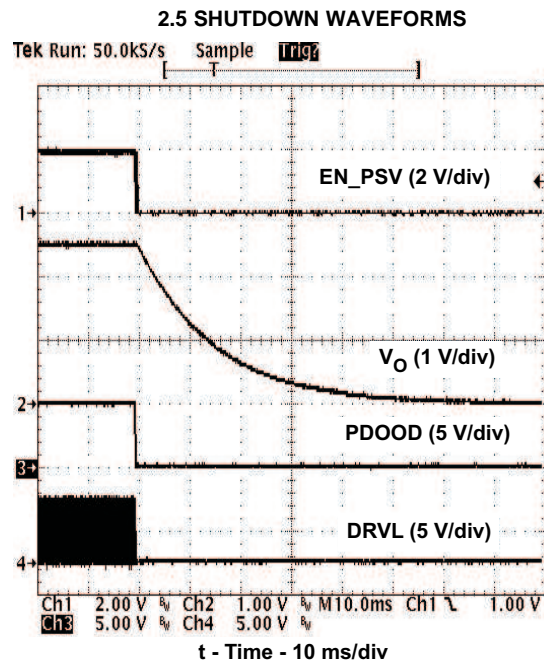


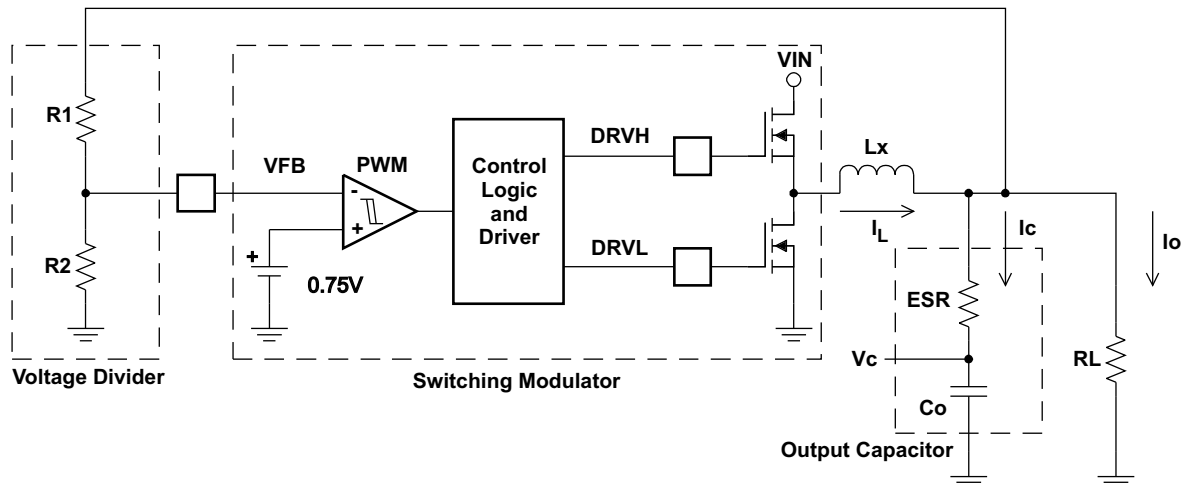
Figure 21.

## APPLICATION INFORMATION

### LOOP COMPENSATION AND EXTERNAL PARTS SELECTION

#### D-CAP™ Mode Operation

A buck converter system using D-CAP™ Mode can be simplified as shown in [Figure 22](#).



**Figure 22. Simplified Diagram of the Modulator**

The VFB voltage is compared with the internal reference voltage after the divider resistors. The PWM comparator determines the timing to turn on the top MOSFET. The gain and speed of the comparator is high enough to keep the voltage at the beginning of each on cycle (or the end of off cycle) substantially constant. The DC output voltage may have line regulation due to ripple amplitude that slightly increases as the input voltage increases.

For loop stability, the 0 dB frequency,  $f_0$ , defined in the follow equation must be lower than 1/4 of the switching frequency.

$$f_0 = \frac{1}{2\theta \times \text{ESR} \times C_o} \approx \frac{f_{\text{sw}}}{4} \quad (6)$$

As  $f_0$  is determined solely by the output capacitor characteristics, loop stability of D-CAP™ Mode is determined by capacitor chemistry. For example, specialty polymer capacitors (SP-CAP) have  $C_o$  in the order of several 100  $\mu\text{F}$  and ESR in range of 10 m $\Omega$ . These values make  $f_0$  in the order of 100 kHz or less and the loop is stable. However, ceramic capacitors have  $f_0$  at more than 700 kHz, which is not suitable for this operational mode.

Although D-CAP™ Mode provides many advantages such as ease-of-use, minimum external component configuration, and extremely short response time, due to not employing an error amplifier in the loop, a sufficient feedback signal needs to be provided by an external circuit to reduce the jitter level. The required signal level is approximately 15 mV at the comparing point. This generates  $V_{\text{ripple}} = (V_{\text{OUT}}/0.75) \times 15 \text{ mV}$  at the output node. The output capacitor ESR should meet this requirement.

The external component selection is simple in D-CAP™ Mode:

1. Determine the value of R1 and R2

The recommended R2 value is 10 k $\Omega$  to 100 k $\Omega$ . Calculate R1 by [Equation 7](#).

$$R1 \approx \frac{(V_{\text{OUT}} - 0.75)}{0.75} \times R2 \quad (7)$$

2. Choose  $R_{\text{TON}}$



### APPLICATION INFORMATION (continued)

Switching frequency is usually determined by the overall view of the DC-DC converter design of: size, efficiency or cost, and mostly dictated by external component constraints such as the size of inductor and/or output capacitor. In the case where an extremely low or high duty factor is expected, the minimum on-time or off-time also needs to be considered to satisfy the required duty factor. Once the switching frequency is decided,  $R_{TON}$  can be determined by [Equation 8](#) and [Equation 9](#),

$$T_{ON(max)} = \frac{1}{f} \times \frac{V_{OUT}}{V_{IN(min)}} \quad (8)$$

$$R_{TON} \left( \frac{3}{2} \times \frac{T_{ON(max)} \approx 50 \text{ ns}}{19 \times 10^{-12}} \times \frac{V_{IN(min)}}{\sqrt{V_{OUT} - 150 \text{ mV}}} \right) [\theta] \quad (9)$$

#### 3. Choose inductor

A good starting point inductance value is where the ripple current is approximately 1/4 to 1/2 of the maximum output current.

$$L_{IND} \approx \frac{1}{I_{IND(ripple)} \times f} \times \frac{(V_{IN(max)} - V_{OUT}) \times V_{OUT}}{V_{IN(max)}} \approx \frac{3}{I_{OUT(max)} \times f} \times \frac{(V_{IN(max)} - V_{OUT}) \times V_{OUT}}{V_{IN(max)}} \quad (10)$$

For applications that require fast transient response with minimum  $V_{OUT}$  overshoot, consider a smaller inductance than above. The cost of a small inductance value is higher steady state ripple, larger line regulation, and higher switching loss.

The inductor also needs to have low DCR to achieve good efficiency, as well as enough room above peak inductor current before saturation. The peak inductor current can be estimated as follows.

$$I_{IND(peak)} \left( \frac{V_{TRIP}}{R_{DS(on)}} - \frac{1}{L \times f} \times \frac{\sqrt{V_{IN(max)} \approx V_{OUT}} \times V_{OUT}}{V_{IN(max)}} \right) \quad (11)$$

#### 4. Choose output capacitor(s)

Organic semiconductor capacitor(s) or specialty polymer capacitor(s) are recommended. Determine ESR to meet the required ripple voltage above. A quick approximation is shown in [Equation 12](#).

$$ESR = \frac{V_{OUT} \times 0.015}{I_{ripple} \times 0.75} \approx \frac{V_{OUT}}{I_{OUT(max)}} \times 60 \text{ [m}\theta\text{]} \quad (12)$$

#### 5. Choose MOSFETs

Loss-less current sensing and overcurrent protection of the TPS51117 is determined by  $R_{DS(on)}$  of the low-side MOSFET. So,  $R_{DS(on)}$  times the inductor current value at the overcurrent point should be in the range of 30 mV to 200 mV for the entire operational temperature range. Assuming a 20% guard band,  $R_{DS(on)}$  in the following equation should satisfy the full temperature range.

$$\frac{30 \text{ mV}}{1.2 \times I_{OUT(max)} - 0.5 \times I_{ripple}} \approx R_{DS(on)} \approx \frac{200 \text{ mV}}{1.2 \times I_{OUT(max)} - 0.5 \times I_{ripple}} \quad (13)$$

#### 6. Choose $R_{trip}$

Once the low-side FET is decided, select an appropriate  $R_{trip}$  value that provides  $V_{trip}$  equal to  $R_{DS(on)}$  times  $I_{peak}$ .

#### 7. LPF for V5FILT

In order to reject high frequency noise and also secure safe start-up of the internal reference circuit, apply 1  $\mu$ F of MLCC closely at the V5FILT pin with a 300- $\Omega$  resistor to create a LPF between +5-V supply and the pin.

#### 8. VBST capacitor, VBST diode

## APPLICATION INFORMATION (continued)

Apply 0.1- $\mu$ F MLCC between VBST and the LL node as the flying capacitor for the high-side FET driver. The TPS51117 has its own boost diode on-board between V5DRV and VBST. This is a PN junction diode and strong enough for most typical applications. However, in case efficiency has priority over cost, the designer may add a Schottky diode externally to improve gate drive voltage of the high-side FET. A Schottky diode has a higher leakage current, especially at high temperature, than a PN junction diode. A low leakage diode should be selected in order to maintain VBST voltage during low frequency operation in skip mode.

## THERMAL CONSIDERATION

Power dissipation of the TPS51117 is mainly generated from the FET drivers. Average drive current can be estimated by gate charge,  $Q_g$ , times the switching frequency.

$$I_G = Q_g \times f_{sw} \quad (14)$$

$Q_g$  is the charge needed to charge gate capacitance up to the V5DRV voltage of 5 V. Actual values are shown on MOSFET datasheets provided by the manufacturer. Total power dissipation, therefore, to drive the top and bottom MOSFETs can be calculated by the following equation [Equation 15](#).

$$W_{DRIVE} \approx V_{V5DRV} \times (Q_{g(top)} + Q_{g(btm)}) \times f_{sw} \quad (15)$$

This power plus a small amount of dissipation (less than 5 mW) from controller circuitry needs to be effectively dissipated from the package. Maximum power dissipation allowed for the package is calculated by:

$$W_{PKG} = \frac{T_{J(max)} \times T_{A(max)}}{\theta_{JA}} \quad (16)$$

Where

- $T_{J(max)}$  is 125°C
- $T_{A(max)}$  is the maximum ambient temperature in the system
- $\theta_{JA}$  is the thermal resistance from the silicon junction to the ambient

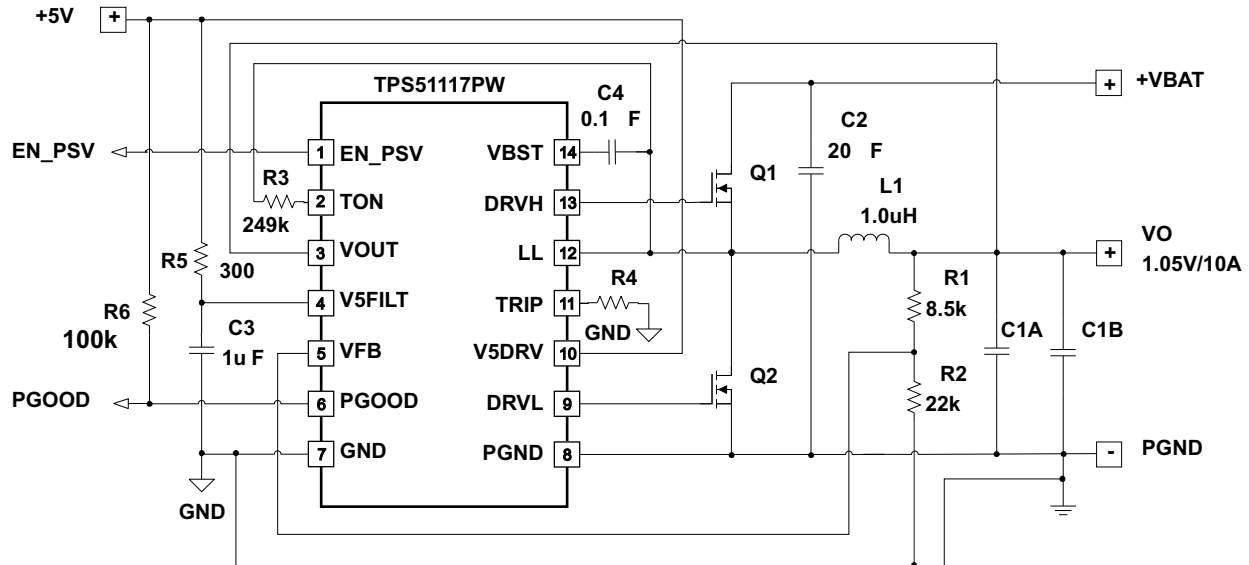
This thermal resistance strongly depends on board layout. The TPS51117 is assembled in a standard TSSOP package and the heat mainly moves to the board through its leads.

## LAYOUT CONSIDERATIONS

Certain points must be considered before starting a layout work using the TPS51117.

- Connect the RC low-pass filter from 5-V supply to V5FILT, 300 k $\Omega$  and 1  $\mu$ F are recommended. Place the filter capacitor close to the IC, within 12 mm (0.5 inches) if possible.
- Connect the overcurrent setting resistors from TRIP to GND close to the IC, right next to the IC, if possible. The trace from TRIP to resistor and resistor to GND should avoid coupling to a high voltage switching node.
- The discharge path (VOUT) should have a dedicated trace to the output capacitor(s); separate from the output voltage sensing trace, and use a 1.5 mm (60 mils) or wider trace with no loops. Make sure the feedback current setting resistor (the resistor between VFB to GND) is tied close to the IC GND. The trace from this resistor to the VFB pin should be short and thin. Place on the component side and avoid vias between this resistor and the IC.
- Connections from the drivers to the respective gate of the high-side or the low-side MOSFET should be as short as possible to reduce stray inductance. Use a 0.65 mm (25 mils) or wider trace.
- All sensitive analog traces and components such as VOUT, VFB, GND, EN\_PSV, PGOOD, TRIP, V5FILT, and TON should be placed away from high-voltage switching nodes such as LL, DRV\_L, DRV\_H or VBST to avoid coupling. Use internal layer(s) as ground plane(s) and shield feedback trace from power traces and components.
- Gather the ground terminals of the  $V_{IN}$  capacitor(s),  $V_{OUT}$  capacitor(s), and the source of the low-side MOSFETs as close as possible. GND (signal ground) and PGND (power ground) should be connected strongly together near the IC. The PCB trace defined as LL node, which connects to the source of the high-side MOSFET, the drain of the low-side MOSFET, and the high-voltage side of the inductor, should be as short and wide as possible.

**APPLICATION INFORMATION (continued)**



**Figure 23. 1.05-V/10-A Application From VBAT**

**Table 1. Typical Application Circuit Components**

SYMBOL	SPECIFICATION	MANUFACTURER	PART NUMBER
C1A, C1B	470 $\mu$ F, 2.5 V, 12 m $\Omega$	SANYO	2R5TPE470MC
C2	10 $\mu$ F, 25 V, 2 pcs	Murata	GRM31CR61E106KA12B
L1	1.0 $\mu$ H	Vishay, Toko	IHLP-5050, FDA1254-1R0M
Q1	30V, 13 m $\Omega$	International Rectifier	IRF7821
Q2	30 V, 5.8 m $\Omega$	International Rectifier	IRF8113
R4	8.06 k $\Omega$	—	Std

## PACKAGING INFORMATION

Orderable Device	Status <sup>(1)</sup>	Package Type	Package Drawing	Pins	Package Qty	Eco Plan <sup>(2)</sup>	Lead/Ball Finish	MSL Peak Temp <sup>(3)</sup>
TPS51117PW	ACTIVE	TSSOP	PW	14	90	Green (RoHS & no Sb/Br)	CU NIPDAU	Level-1-260C-UNLIM
TPS51117PWG4	ACTIVE	TSSOP	PW	14	90	Green (RoHS & no Sb/Br)	CU NIPDAU	Level-1-260C-UNLIM
TPS51117PWR	ACTIVE	TSSOP	PW	14	2000	Green (RoHS & no Sb/Br)	CU NIPDAU	Level-1-260C-UNLIM
TPS51117PWRG4	ACTIVE	TSSOP	PW	14	2000	Green (RoHS & no Sb/Br)	CU NIPDAU	Level-1-260C-UNLIM

<sup>(1)</sup> The marketing status values are defined as follows:

**ACTIVE:** Product device recommended for new designs.

**LIFEBUY:** TI has announced that the device will be discontinued, and a lifetime-buy period is in effect.

**NRND:** Not recommended for new designs. Device is in production to support existing customers, but TI does not recommend using this part in a new design.

**PREVIEW:** Device has been announced but is not in production. Samples may or may not be available.

**OBSELETE:** TI has discontinued the production of the device.

<sup>(2)</sup> Eco Plan - The planned eco-friendly classification: Pb-Free (RoHS), Pb-Free (RoHS Exempt), or Green (RoHS & no Sb/Br) - please check <http://www.ti.com/productcontent> for the latest availability information and additional product content details.

**TBD:** The Pb-Free/Green conversion plan has not been defined.

**Pb-Free (RoHS):** TI's terms "Lead-Free" or "Pb-Free" mean semiconductor products that are compatible with the current RoHS requirements for all 6 substances, including the requirement that lead not exceed 0.1% by weight in homogeneous materials. Where designed to be soldered at high temperatures, TI Pb-Free products are suitable for use in specified lead-free processes.

**Pb-Free (RoHS Exempt):** This component has a RoHS exemption for either 1) lead-based flip-chip solder bumps used between the die and package, or 2) lead-based die adhesive used between the die and leadframe. The component is otherwise considered Pb-Free (RoHS compatible) as defined above.

**Green (RoHS & no Sb/Br):** TI defines "Green" to mean Pb-Free (RoHS compatible), and free of Bromine (Br) and Antimony (Sb) based flame retardants (Br or Sb do not exceed 0.1% by weight in homogeneous material)

<sup>(3)</sup> MSL, Peak Temp. -- The Moisture Sensitivity Level rating according to the JEDEC industry standard classifications, and peak solder temperature.

**Important Information and Disclaimer:**The information provided on this page represents TI's knowledge and belief as of the date that it is provided. TI bases its knowledge and belief on information provided by third parties, and makes no representation or warranty as to the accuracy of such information. Efforts are underway to better integrate information from third parties. TI has taken and continues to take reasonable steps to provide representative and accurate information but may not have conducted destructive testing or chemical analysis on incoming materials and chemicals. TI and TI suppliers consider certain information to be proprietary, and thus CAS numbers and other limited information may not be available for release.

In no event shall TI's liability arising out of such information exceed the total purchase price of the TI part(s) at issue in this document sold by TI to Customer on an annual basis.

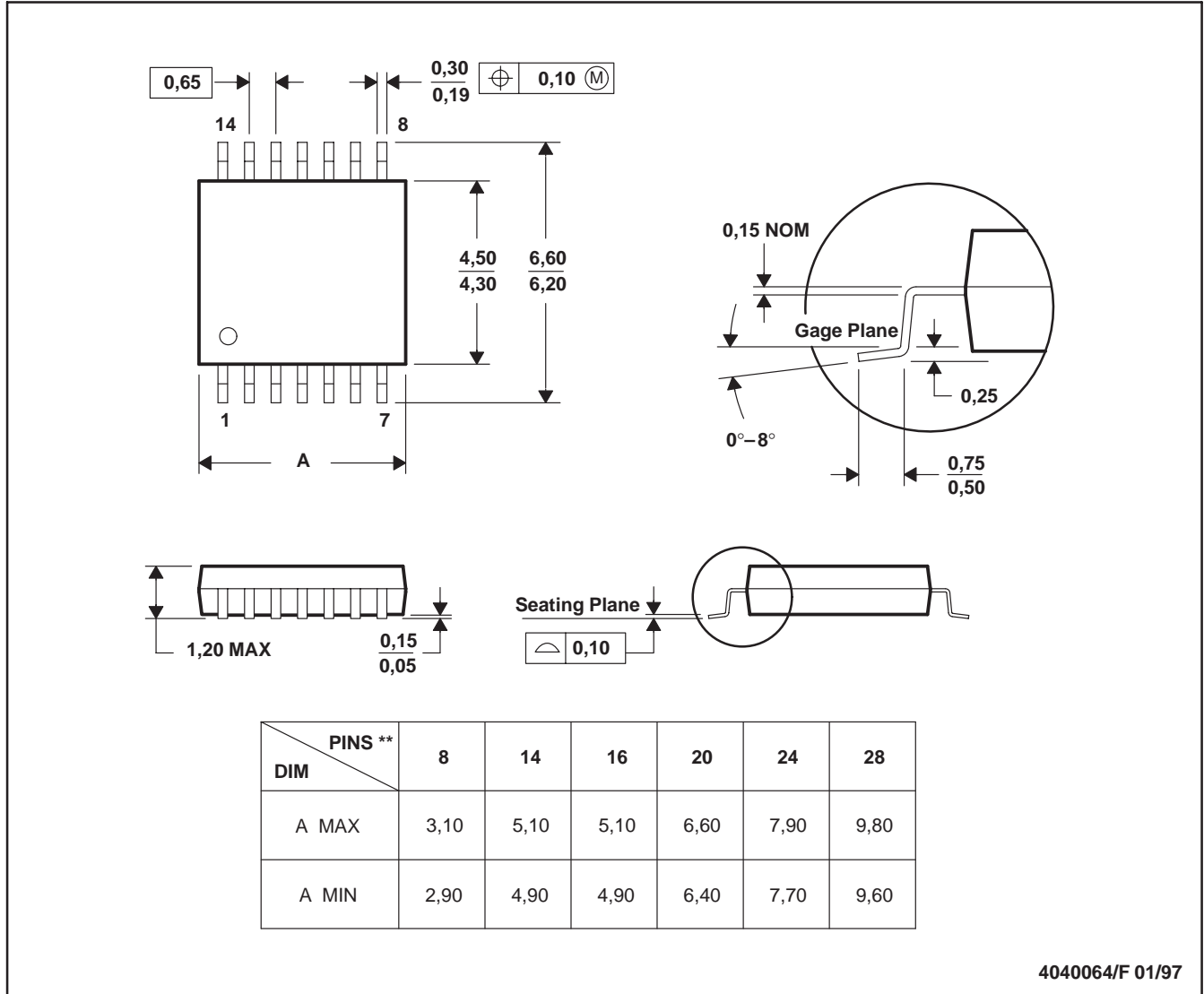
# MECHANICAL DATA

MTSS001C – JANUARY 1995 – REVISED FEBRUARY 1999

**PW (R-PDSO-G\*\*)**

**PLASTIC SMALL-OUTLINE PACKAGE**

14 PINS SHOWN



- NOTES:
- All linear dimensions are in millimeters.
  - This drawing is subject to change without notice.
  - Body dimensions do not include mold flash or protrusion not to exceed 0,15.
  - Falls within JEDEC MO-153

## IMPORTANT NOTICE

Texas Instruments Incorporated and its subsidiaries (TI) reserve the right to make corrections, modifications, enhancements, improvements, and other changes to its products and services at any time and to discontinue any product or service without notice. Customers should obtain the latest relevant information before placing orders and should verify that such information is current and complete. All products are sold subject to TI's terms and conditions of sale supplied at the time of order acknowledgment.

TI warrants performance of its hardware products to the specifications applicable at the time of sale in accordance with TI's standard warranty. Testing and other quality control techniques are used to the extent TI deems necessary to support this warranty. Except where mandated by government requirements, testing of all parameters of each product is not necessarily performed.

TI assumes no liability for applications assistance or customer product design. Customers are responsible for their products and applications using TI components. To minimize the risks associated with customer products and applications, customers should provide adequate design and operating safeguards.

TI does not warrant or represent that any license, either express or implied, is granted under any TI patent right, copyright, mask work right, or other TI intellectual property right relating to any combination, machine, or process in which TI products or services are used. Information published by TI regarding third-party products or services does not constitute a license from TI to use such products or services or a warranty or endorsement thereof. Use of such information may require a license from a third party under the patents or other intellectual property of the third party, or a license from TI under the patents or other intellectual property of TI.

Reproduction of information in TI data books or data sheets is permissible only if reproduction is without alteration and is accompanied by all associated warranties, conditions, limitations, and notices. Reproduction of this information with alteration is an unfair and deceptive business practice. TI is not responsible or liable for such altered documentation.

Resale of TI products or services with statements different from or beyond the parameters stated by TI for that product or service voids all express and any implied warranties for the associated TI product or service and is an unfair and deceptive business practice. TI is not responsible or liable for any such statements.

Following are URLs where you can obtain information on other Texas Instruments products and application solutions:

<b>Products</b>		<b>Applications</b>	
Amplifiers	<a href="http://amplifier.ti.com">amplifier.ti.com</a>	Audio	<a href="http://www.ti.com/audio">www.ti.com/audio</a>
Data Converters	<a href="http://dataconverter.ti.com">dataconverter.ti.com</a>	Automotive	<a href="http://www.ti.com/automotive">www.ti.com/automotive</a>
DSP	<a href="http://dsp.ti.com">dsp.ti.com</a>	Broadband	<a href="http://www.ti.com/broadband">www.ti.com/broadband</a>
Interface	<a href="http://interface.ti.com">interface.ti.com</a>	Digital Control	<a href="http://www.ti.com/digitalcontrol">www.ti.com/digitalcontrol</a>
Logic	<a href="http://logic.ti.com">logic.ti.com</a>	Military	<a href="http://www.ti.com/military">www.ti.com/military</a>
Power Mgmt	<a href="http://power.ti.com">power.ti.com</a>	Optical Networking	<a href="http://www.ti.com/opticalnetwork">www.ti.com/opticalnetwork</a>
Microcontrollers	<a href="http://microcontroller.ti.com">microcontroller.ti.com</a>	Security	<a href="http://www.ti.com/security">www.ti.com/security</a>
		Telephony	<a href="http://www.ti.com/telephony">www.ti.com/telephony</a>
		Video & Imaging	<a href="http://www.ti.com/video">www.ti.com/video</a>
		Wireless	<a href="http://www.ti.com/wireless">www.ti.com/wireless</a>

Mailing Address: Texas Instruments  
Post Office Box 655303 Dallas, Texas 75265