

Tyco / Electronics  
 Raychem Circuit Protection  
 308 Constitution Drive  
 Menlo Park, CA 94025-1164  
 Phone: 800-227-4856  
 Fax: 800-227-4866

**PolySwitch®**  
**PTC Devices**  
 Overcurrent Protection Device

**PRODUCT: TR250-120**

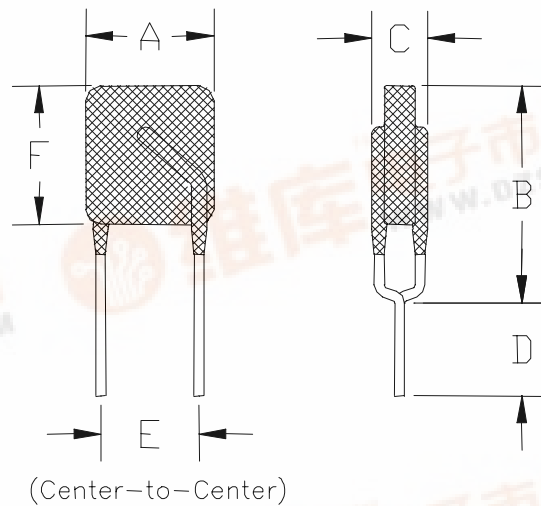
DOCUMENT: SCD 22547  
 PCN: 018960, 395235  
 REV LETTER: J  
 REV DATE: JANUARY 14, 2002  
 PAGE NO.: 1 OF 1

**Specification Status: RELEASED**

**Max Electrical Rating at 20°C**

**Operating Voltage: 60V<sub>DC</sub>**  
**Fault Voltage: 250V<sub>RMS</sub>**  
**Interrupt Current: 3A<sub>RMS</sub>**

Lead Material : 22 AWG Sn/Pb plated copper



**Marking:**

- Raychem Logo
- XX 20 — Part Identification
- — Lot Identification

**TABLE I. DIMENSIONS:**

	A		B		C		D		E	F
	Min	Max	Min	Max	Min	Max	Min	Max	Nom	Max
mm:	--	6.5	--	11.0	--	4.6	4.7	--	5.0	7.0
in:	--	(0.256)	--	(0.433)	--	(0.180)	(0.185)	--	(0.197)	(0.276)

**TABLE II. PERFORMANCE RATINGS @ 20°C (unless otherwise noted):**

IHOLD (A)		RESISTANCE (Ω) @ 20° C			TIME TO TRIP @ 1A	OPERATING TEMPERATURE (°C)	
20°C	70°C	R MIN	R MAX	R <sub>1 MAX</sub> *	Seconds, Typical	MIN	MAX
0.120	0.060	4.0	8.0	16.0	1.5	-40	85

\*Maximum device resistance at 20°C measured 1 hour post trip.

**Additional Rating @ 20°C**

Lightning Withstand: ITU @ 1.5KV      Storage Temperature: -40° to 85° C

Reference Documents:  
 Precedence:  
 Effectivity:  
**CAUTION:**

PS300  
 This specification takes precedence over documents referenced herein.  
 Reference documents shall be the issue in effect on the date of invitation for bid.  
 Operation beyond the rated voltage or current may result in rupture, electrical arcing or flame.

