



**0603 PACKAGE 0.8mm HEIGHT
SUPER YELLOW LED
TSP1-XF1608H8-3133**

0603 Package 0.8mm Height Super Yellow LED

Features

- Package in 8mm tape on 7" diameter reel
- Compatible with automatic placement equipment
- Compatible with infrared and vapor phase reflow solder process
- Mono-color type
- RoHS



QSLP1XF1



Descriptions

- The SMD series enable smaller board size, higher packing density, reduced storage space, and small equipment.
- Besides, light weight makes them ideal for miniature applications.

Applications

- Automotive: backlighting in dashboard and switch
- Telecommunication: indicator and backlighting in telephone and fax
- Flat backlight for LCD, switches and symbols
- General use

Device Selection Guide

Part No.	Chip		Lens Color
	Material	Emitted Color	
TSP1-XF1608H8-3133	AllnGaP	Super Yellow	Water Clear

0603 Package 0.8mm Height Super Yellow LED

TSP1-XF1608H8-3133

Absolute Maximum Ratings (Ta=25°C)

Parameter	Symbol	Rating	Unit
Reverse Voltage	VR	5	V
Forward Current	IF	25	mA
Operating Temperature	Topr	-40 ~ +85	°C
Storage Temperature	Tstg	-40 ~ +90	°C
Electrostatic Discharge	ESD	2000	V
Power Dissipation	Pd	60	mW
Peak Forward Current (Duty 1/10 @1KHz)	IFP	60	mA
Soldering Temperature	Tsol	260 for 5 sec.	°C

0603 Package 0.8mm Height Super Yellow LED

TSP1-XF1608H8-3133

Electro-Optical Characteristics (Ta=25°C)

Parameter	Symbol	Min.	Typ.	Max.	Unit	Condition
Luminous Intensity	I _v	70.7	-----	108	mcd	IF=20mA
Peak Wavelength	λ _p	-----	591	-----	nm	
Dominant Wavelength	λ _d	586	-----	594	nm	
Spectrum Radiation Bandwidth	Δλ	-----	15	-----	nm	
Viewing Angle	2θ _{1/2}	-----	100	-----	deg	
Forward Voltage	V _F	1.75	-----	2.35	V	
Reverse Current	I _R	-----	-----	10	μA	VR=5V

Notes: Tolerance of Luminous Intensity ±10%

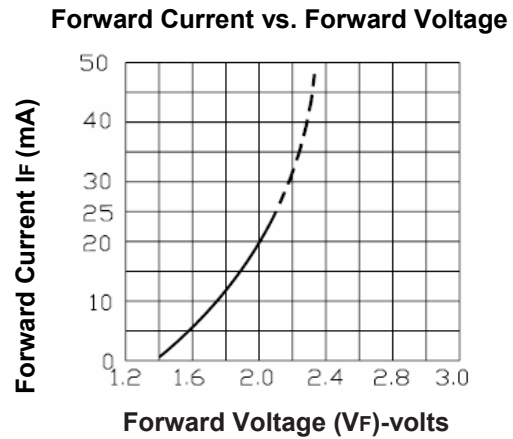
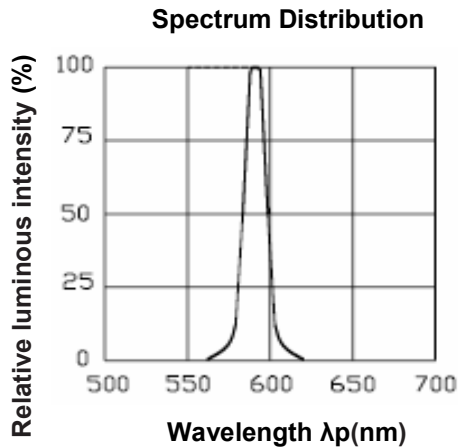
Tolerance of Dominant wavelength ±1nm

Tolerance of Forward Voltage ±0.1V

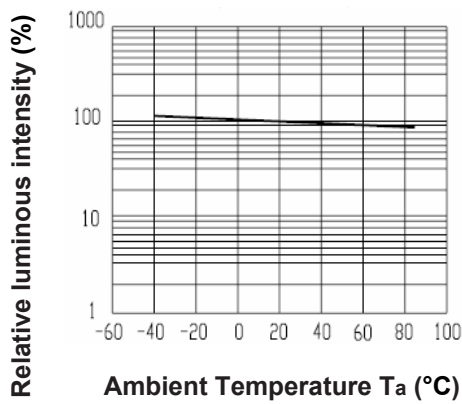
0603 Package 0.8mm Height Super Yellow LED

TSP1-XF1608H8-3133

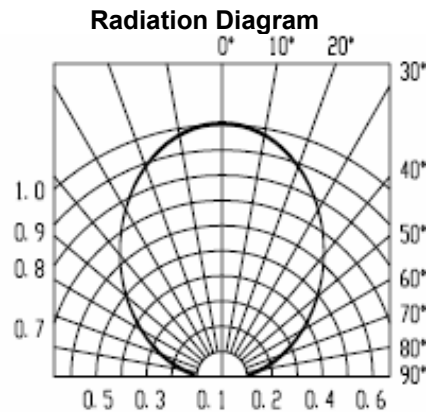
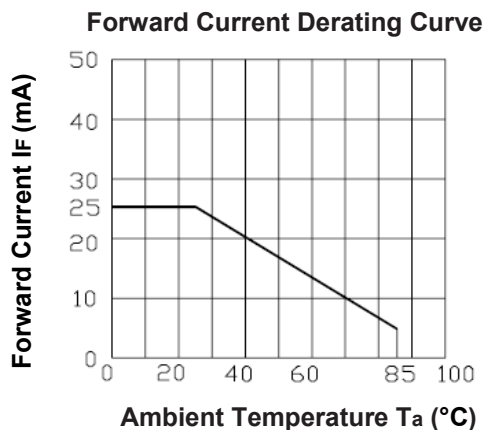
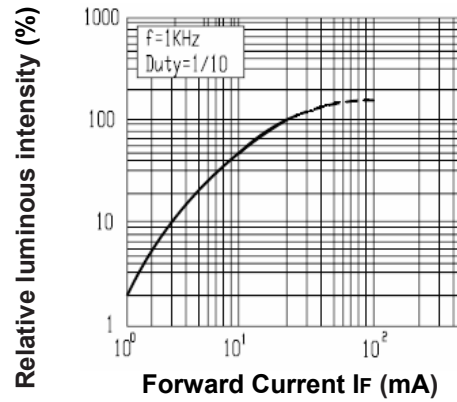
Typical Electro-Optical Characteristics Curves (Ta=25°C)



Luminous Intensity vs. Ambient Temperature



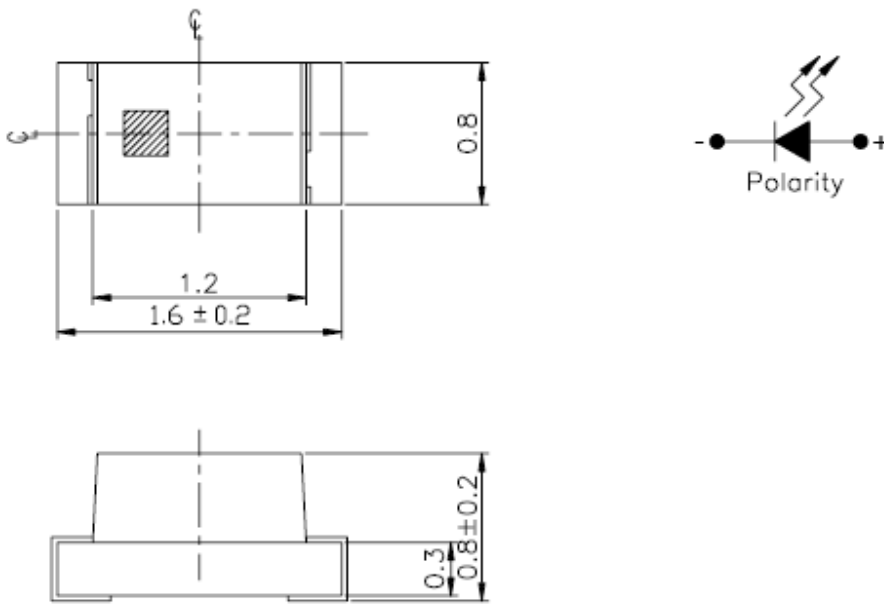
Luminous Intensity vs. Forward Current



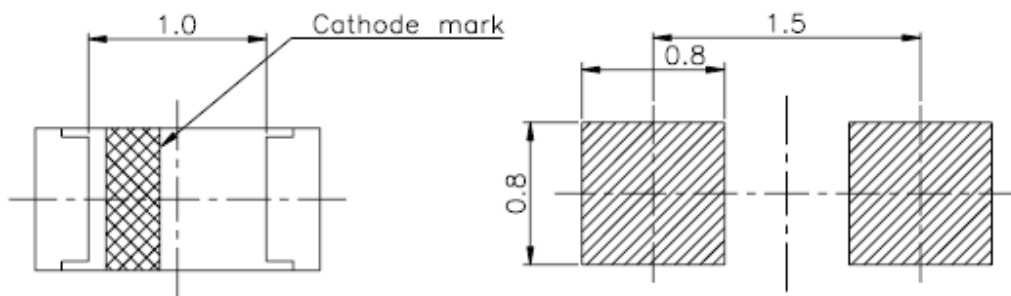
0603 Package 0.8mm Height Super Yellow LED

TSP1-XF1608H8-3133

Package Outline Dimensions (Unit=mm)



Note: The tolerances unless mentioned is ±0.1mm, Unit = mm

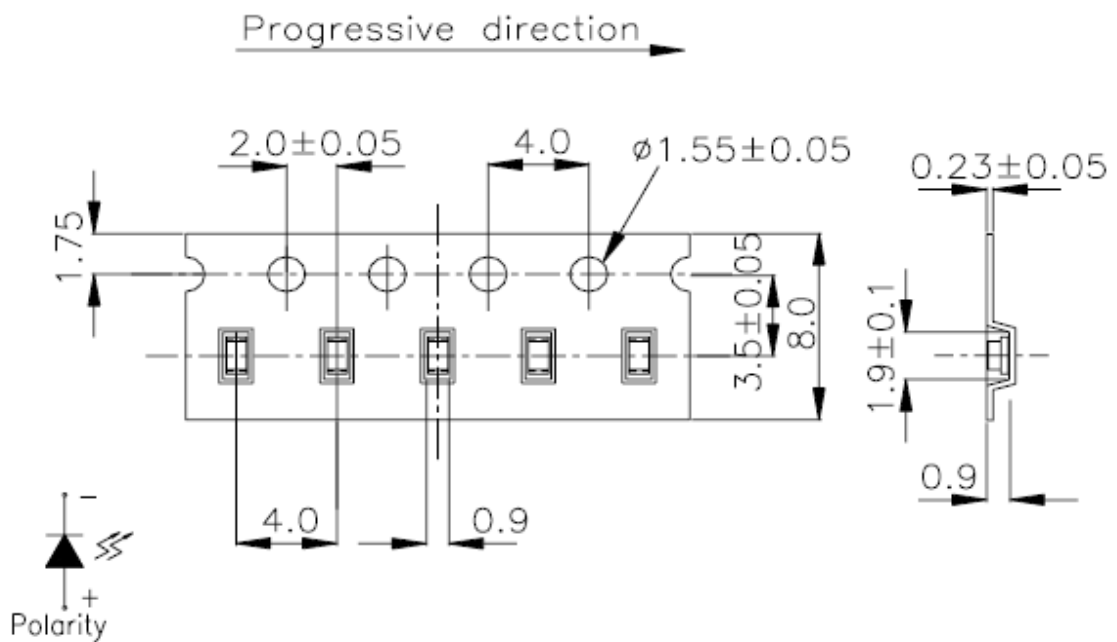


Note: The tolerances unless mentioned is ±0.1mm, Unit = mm

0603 Package 0.8mm Height Super Yellow LED

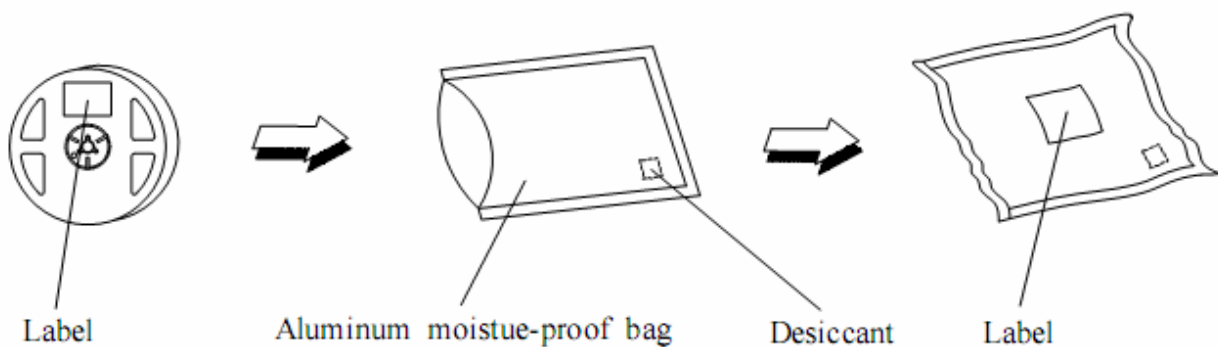
TSP1-XF1608H8-3133

Carrier Tape Dimensions (Unit=mm): Loaded quantity 2000pcs per reel



Note: The tolerances unless mentioned is ± 0.1 mm.

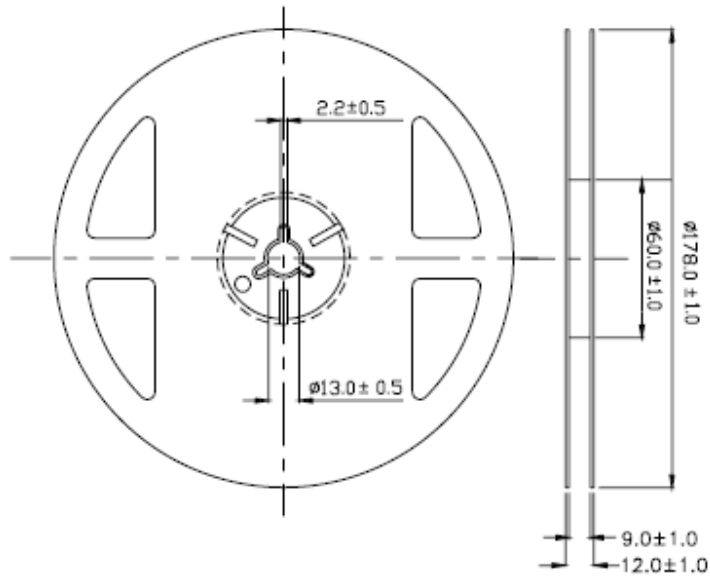
Moisture Resistant Packaging



0603 Package 0.8mm Height Super Yellow LED

TSP1-XF1608H8-3133

Reel Dimensions (Unit=mm):

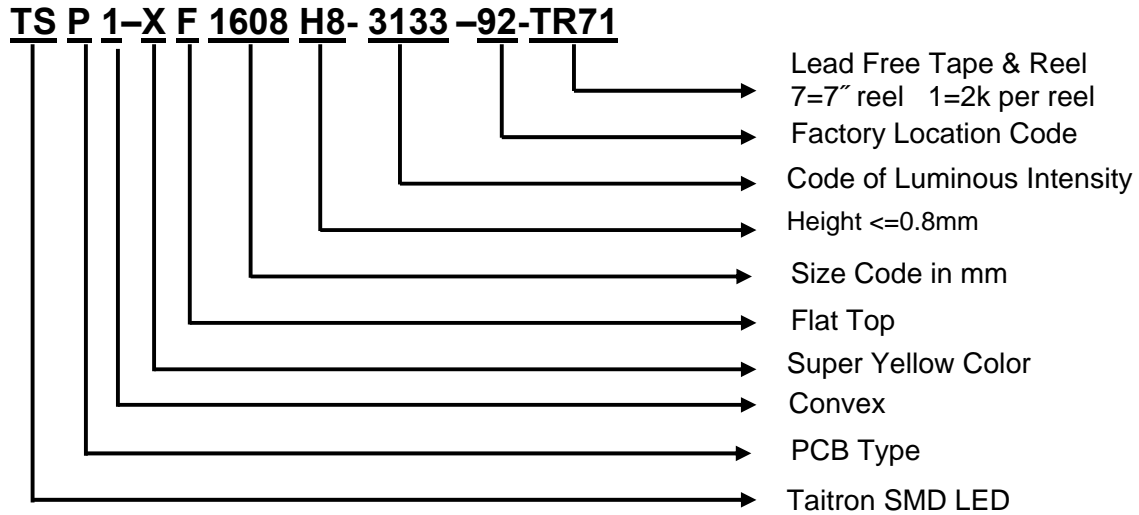


Note: The tolerances unless mentioned is ± 0.1 mm.

0603 Package 0.8mm Height Super Yellow LED

TSP1-XF1608H8-3133

Ordering Information



Label Explanation

- CAT:** Luminous Intensity Rank
- HUE:** Dom. Wavelength Rank
- REF:** Forward Voltage Rank

CPN :
P/N: XXXXXXXXXXXX



XX-XXXXXXXX CAT: Bin Iv
QTY: XXXX HUE: Bin λd
REF: Bin VF



LOT NO: XXXXXXXXXXXX



0603 Package 0.8mm Height Super Yellow LED

TSP1-XF1608H8-3133

Bin Range of HUE

Groups	Bin Code	Min	Max	Unit	Condition
F	DD1	586	588	nm	IF=20mA
	DD2	588	590		
	DD3	590	592		
	DD4	592	594		

Bin Range of Luminous Intensity

Bin Code	Min	Max	Unit	Condition
31	70.7	81.3	mcd	IF=20mA
32	81.3	93.5		
33	93.5	108.0		

Bin Range of Forward Voltage

Groups	Bin Code	Min	Max	Unit	Condition
B	0	1.75	1.95	V	IF=20mA
	1	1.95	2.15		
	2	2.15	2.35		

Notes: Tolerance of Luminous Intensity $\pm 10\%$

Tolerance of Dominant wavelength $\pm 1\text{nm}$

Tolerance of Forward Voltage $\pm 0.1\text{V}$

0603 Package 0.8mm Height Super Yellow LED

TSP1-XF1608H8-3133

How to contact us

US HEADQUARTER

28040 WEST HARRISON PARKWAY, VALENCIA, CA 91355-4162

Tel: (800) TAITRON (800) 824-8766 (661) 257-6060

Fax: (800) TAITFAX (800) 824-8329 (661) 257-6415

Email: taitron@taitroncomponents.com

Http://www.taitroncomponents.com

TAITRON COMPONENTS MEXICO, S.A .DE C.V.

BOULEVARD CENTRAL 5000 INTERIOR 5 PARQUE INDUSTRIAL ATITALAQUIA, HIDALGO

C.P. 42970 MEXICO

Tel: +52-55-5560-1519

Fax: +52-55-5560-2190

TAITRON COMPONETS INCORPORATED E REPRESENTAÇÕES DO BRASIL LTDA

RUA DOMINGOS DE MORAIS, 2777, 2.ANDAR, SALA 24 SAÚDE - SÃO PAULO-SP 04035-001

BRAZIL

Tel: +55-11-5574-7949

Fax: +55-11-5572-0052

TAITRON COMPONETS INCORPORATED, SHANGHAI REPRESENTATIVE OFFICE

METROBANK PLAZA, 1160 WEST YAN'AN ROAD, SUITE 1502, SHANGHAI 200052, CHINA.

Tel: +86-21-5424-9942

Fax: +86-21-5424-9931