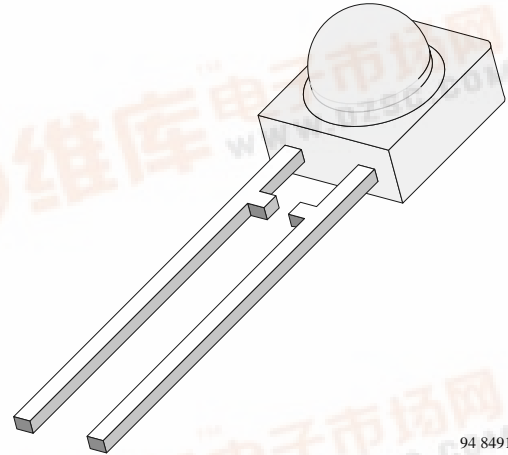


GaAs/GaAlAs Infrared Emitting Diode in Sideview Package

Description

TSSP4400 is a high intensity infrared emitting diode in GaAlAs on GaAs technology, molded in a clear, blue-grey tinted plastic package with spherical side view lens. The device is spectrally matched to silicon photodiodes and phototransistors.



Features

- High radiant power and high radiant intensity
- Suitable for high pulse current operation
- Low forward voltage
- Angle of half intensity $\phi = \pm 22^\circ$
- Peak wavelength $\lambda_p = 925 \text{ nm}$
- High reliability

Applications

High power infrared emitter in light curtains, light barriers, transmissive or reflective sensors in combination with PIN photodiodes or phototransistors.

Infrared remote control and free air transmission systems for long transmission distance and medium wide angle requirements in combination with PIN photo diodes or photo modules.

Suitable as replacement of CQX47.

Absolute Maximum Ratings

$T_{amb} = 25^\circ\text{C}$

| Parameter | Test Conditions | Symbol | Value | Unit |
|-------------------------------------|--|------------|------------|------------------|
| Reverse Voltage | | V_R | 5 | V |
| Forward Current | | I_F | 100 | mA |
| Peak Forward Current | $t_p/T=0.5, t_p=100 \mu\text{s}$ | I_{FM} | 200 | mA |
| Surge Forward Current | $t_p=100 \mu\text{s}$ | I_{FSM} | 2.0 | A |
| Power Dissipation | | P_V | 170 | mW |
| Junction Temperature | | T_j | 100 | $^\circ\text{C}$ |
| Operating Temperature Range | | T_{amb} | -55...+100 | $^\circ\text{C}$ |
| Storage Temperature Range | | T_{stg} | -55...+100 | $^\circ\text{C}$ |
| Soldering Temperature | $t \leq 5\text{sec}, 2 \text{ mm from case}$ | T_{sd} | 260 | $^\circ\text{C}$ |
| Thermal Resistance Junction/Ambient | | R_{thJA} | 450 | K/W |

Basic Characteristics

$T_{amb} = 25^{\circ}\text{C}$

| Parameter | Test Conditions | Symbol | Min | Typ | Max | Unit |
|----------------------------------|--|------------------|-----|----------|-----|---------------|
| Forward Voltage | $I_F = 100\text{ mA}, t_p = 20\text{ ms}$ | V_F | | 1.3 | 1.8 | V |
| | $I_F = 1.5\text{ A}, t_p = 100\text{ }\mu\text{s}$ | V_F | | 2.4 | 3.2 | V |
| Temp. Coefficient of V_F | $I_F = 100\text{ mA}$ | TK_{V_F} | | -1.3 | | mV/K |
| Reverse Current | $V_R = 5\text{ V}$ | I_R | | | 100 | μA |
| Junction Capacitance | $V_R = 0\text{ V}, f = 1\text{ MHz}, E = 0$ | C_j | | 30 | | pF |
| Radiant Intensity | $I_F = 100\text{ mA}, t_p = 20\text{ ms}$ | I_e | 10 | 23 | | mW/sr |
| | $I_F = 1.5\text{ A}, t_p = 100\text{ }\mu\text{s}$ | I_e | | 300 | | mW/sr |
| Radiant Power | $I_F = 100\text{ mA}, t_p = 20\text{ ms}$ | ϕ_e | | 18 | | mW |
| Temp. Coefficient of ϕ_e | $I_F = 100\text{ mA}$ | TK_{ϕ_e} | | -0.8 | | %/K |
| Angle of Half Intensity | | ϕ | | ± 22 | | deg |
| Peak Wavelength | $I_F = 100\text{ mA}$ | λ_p | | 925 | | nm |
| Spectral Bandwidth | $I_F = 100\text{ mA}$ | $\Delta\lambda$ | | 50 | | nm |
| Temp. Coefficient of λ_p | $I_F = 100\text{ mA}$ | TK_{λ_p} | | 0.2 | | nm/K |
| Rise Time | $I_F = 100\text{ mA}$ | t_r | | 800 | | ns |
| | $I_F = 1.5\text{ A}$ | t_r | | 500 | | ns |
| Fall Time | $I_F = 100\text{ mA}$ | t_f | | 800 | | ns |
| | $I_F = 1.5\text{ A}$ | t_f | | 500 | | ns |

Typical Characteristics ($T_{amb} = 25^{\circ}\text{C}$ unless otherwise specified)

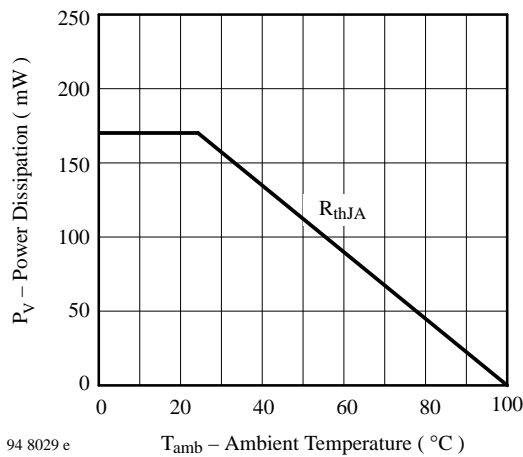


Figure 1. Power Dissipation vs. Ambient Temperature

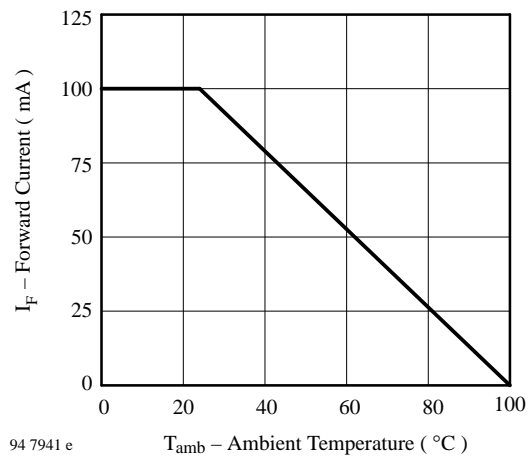


Figure 2. Forward Current vs. Ambient Temperature

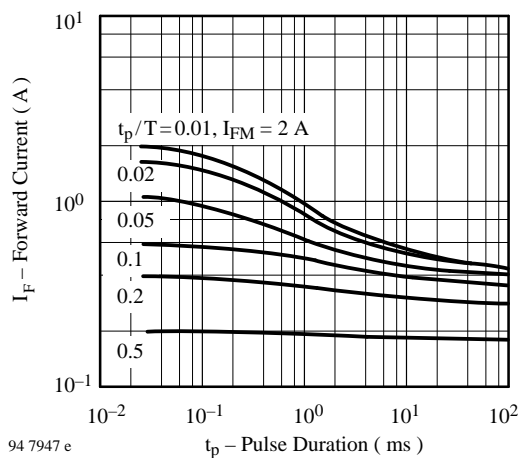


Figure 3. Pulse Forward Current vs. Pulse Duration

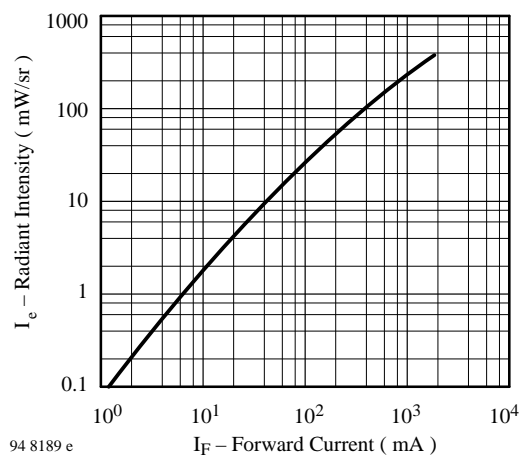


Figure 6. Radiant Intensity vs. Forward Current

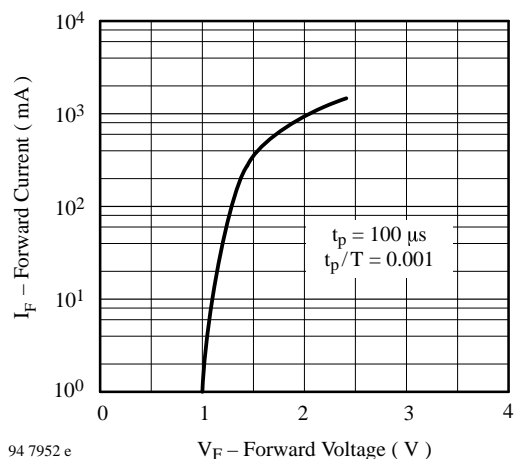


Figure 4. Forward Current vs. Forward Voltage

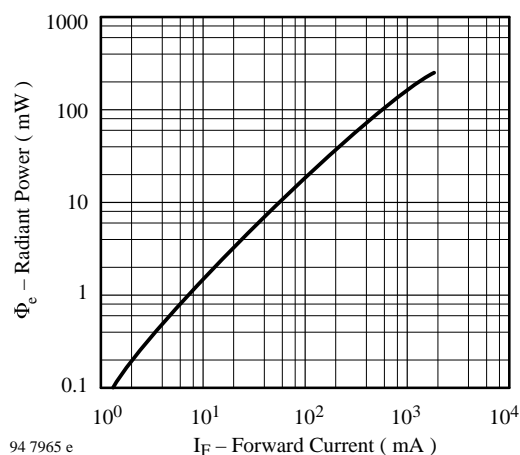


Figure 7. Radiant Power vs. Forward Current

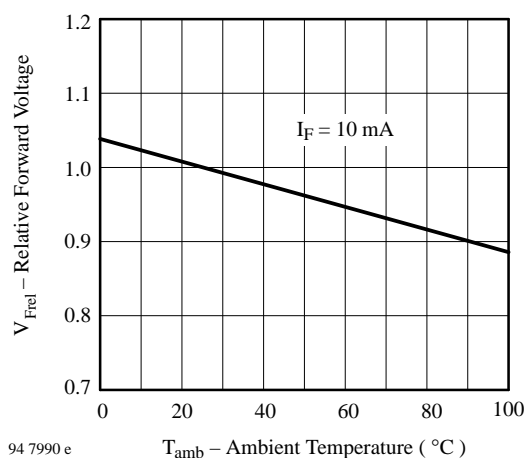


Figure 5. Relative Forward Voltage vs. Ambient Temperature

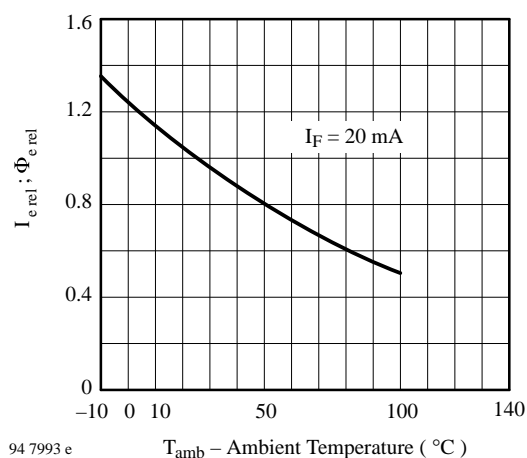


Figure 8. Rel. Radiant Intensity/Power vs. Ambient Temperature

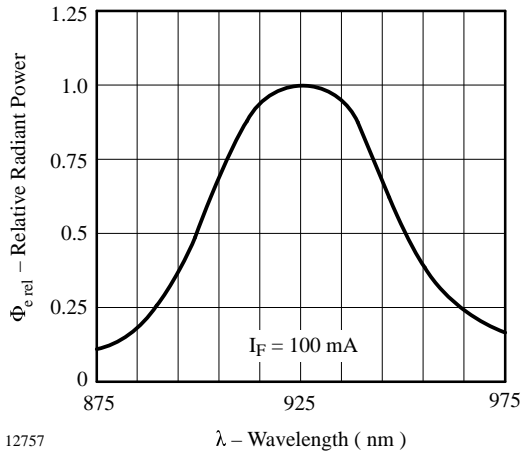


Figure 9. Relative Radiant Power vs. Wavelength

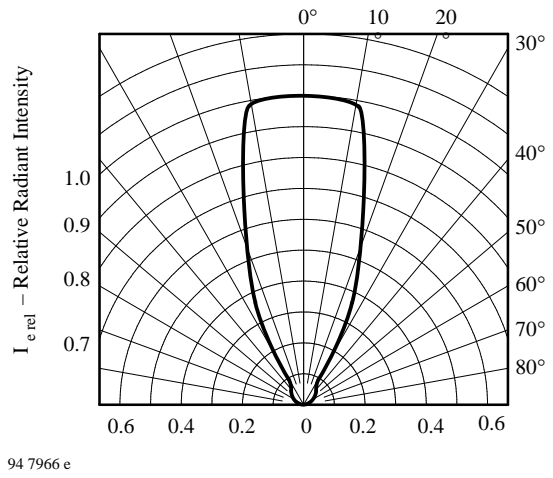
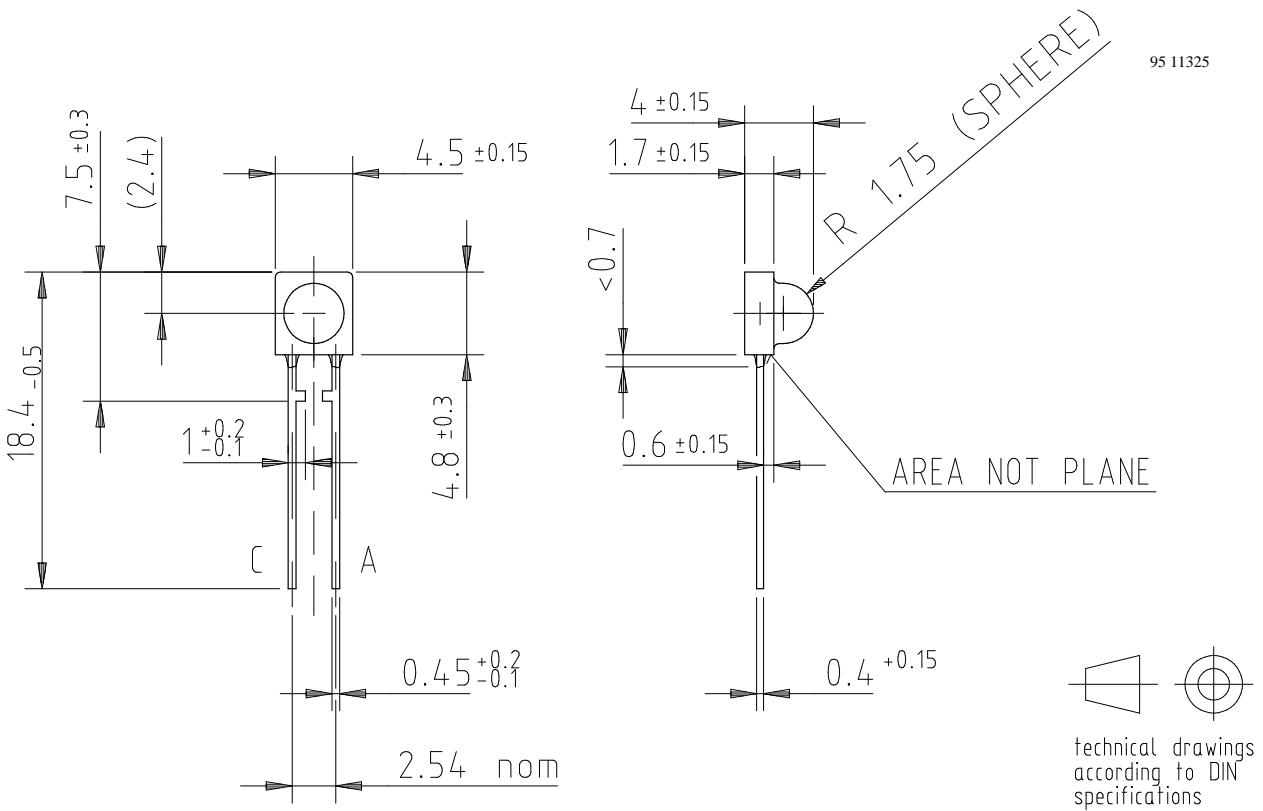


Figure 10. Relative Radiant Intensity vs. Angular Displacement

Dimensions in mm



Ozone Depleting Substances Policy Statement

It is the policy of **TEMIC TELEFUNKEN microelectronic GmbH** to

1. Meet all present and future national and international statutory requirements.
2. Regularly and continuously improve the performance of our products, processes, distribution and operating systems with respect to their impact on the health and safety of our employees and the public, as well as their impact on the environment.

It is particular concern to control or eliminate releases of those substances into the atmosphere which are known as ozone depleting substances (ODSs).

The Montreal Protocol (1987) and its London Amendments (1990) intend to severely restrict the use of ODSs and forbid their use within the next ten years. Various national and international initiatives are pressing for an earlier ban on these substances.

TEMIC TELEFUNKEN microelectronic GmbH semiconductor division has been able to use its policy of continuous improvements to eliminate the use of ODSs listed in the following documents.

1. Annex A, B and list of transitional substances of the Montreal Protocol and the London Amendments respectively
2. Class I and II ozone depleting substances in the Clean Air Act Amendments of 1990 by the Environmental Protection Agency (EPA) in the USA
3. Council Decision 88/540/EEC and 91/690/EEC Annex A, B and C (transitional substances) respectively.

TEMIC can certify that our semiconductors are not manufactured with ozone depleting substances and do not contain such substances.

We reserve the right to make changes to improve technical design and may do so without further notice.

Parameters can vary in different applications. All operating parameters must be validated for each customer application by the customer. Should the buyer use TEMIC products for any unintended or unauthorized application, the buyer shall indemnify TEMIC against all claims, costs, damages, and expenses, arising out of, directly or indirectly, any claim of personal damage, injury or death associated with such unintended or unauthorized use.

TEMIC TELEFUNKEN microelectronic GmbH, P.O.B. 3535, D-74025 Heilbronn, Germany
Telephone: 49 (0)7131 67 2831, Fax number: 49 (0)7131 67 2423