



TS836

MICROPOWER VOLTAGE SUPERVISOR RESET ACTIVE HIGH

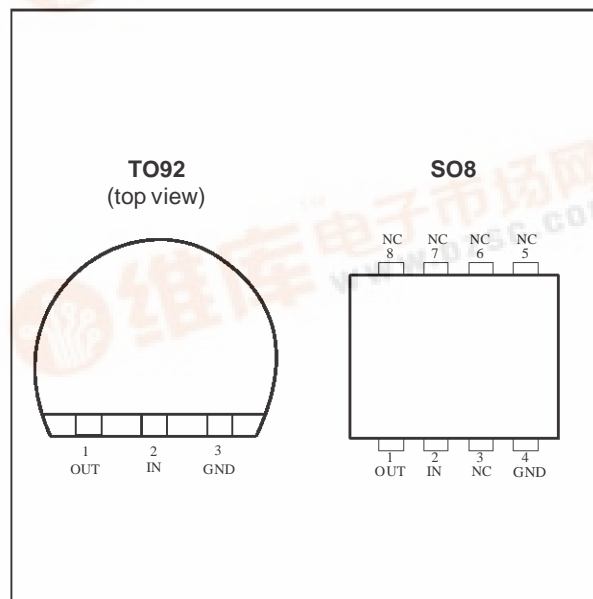
- ULTRA LOW POWER CONSUMPTION :
12 μ A max. @ $V_{CC} = 5V$
- PRECISION RESET THRESHOLD (guaranteed over Temperature)
- 4.50Vtyp. THRESHOLD VOLTAGE (TS836-4)
- GUARANTEED RESET OPERATION FOR V_{CC} DOWN TO 1V
- OPEN DRAIN OUTPUT COMPARATOR WITH $V_{OI} = 450mV$ typ. @ $I_{OI} = 8mA$ & $V_{CC} = 4V$
- FAST RESPONSE TIME : 20 μ s FOR A 10mV OVERDRIVE
- 100mV INTERNAL HYSTERESIS



ORDER CODES

Part Number	Temperature Range	Package	
		D	Z
TS836-4I	-40, +85°C	•	ù

PIN CONNECTIONS



DESCRIPTION

The TS836 ultra low power integrated circuit incorporates a high stability band gap voltage reference and a comparator with open drain output. The threshold voltage is set at 4.5V for TS836-4 by internal thermally matched resistances. The comparator exhibits a 20 μ s response (with 10mV overdrive) and has an open drain output active when input voltage is higher than the threshold. An internal hysteresis of 100mV increases the comparator's noise margin and prevents false reset operation.

APPLICATIONS

- Power-on reset generator for microcontroller
- Power failure detector



ABSOLUTE MAXIMUM RATINGS

Symbol	Parameter	Value	Unit
V _{CC}	Supply Voltage - note 1	7	V
V _{out}	Output Voltage	-0.3 to V _{CC} + 0.3	V
I _{out}	Output Current	20	mA
P _d	Power Dissipation	200	mW
T _{oper}	Operating Free Air Temperature Range	-40 to +85	°C
T _{stg}	Storage Temperature	-65 to +150	°C

Note: 1. All voltages values, except differential voltage are with respect to network ground terminal.

OPERATING CONDITIONS

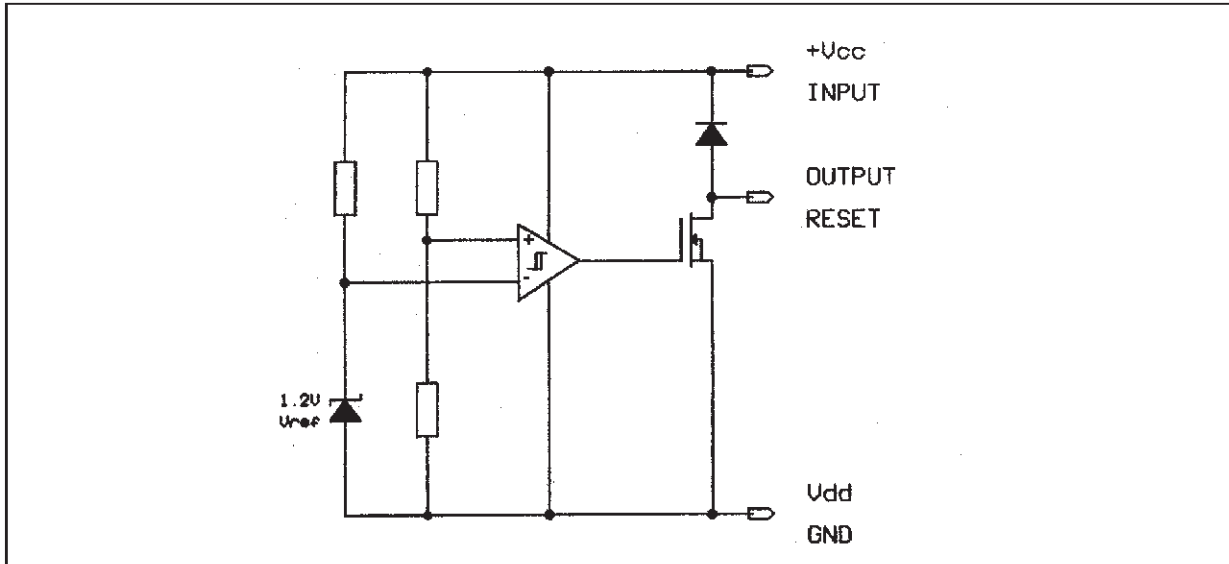
Symbol	Parameter	Value	Unit
V _{CC}	Supply Voltage	1 to 5.5	V

TS836-4

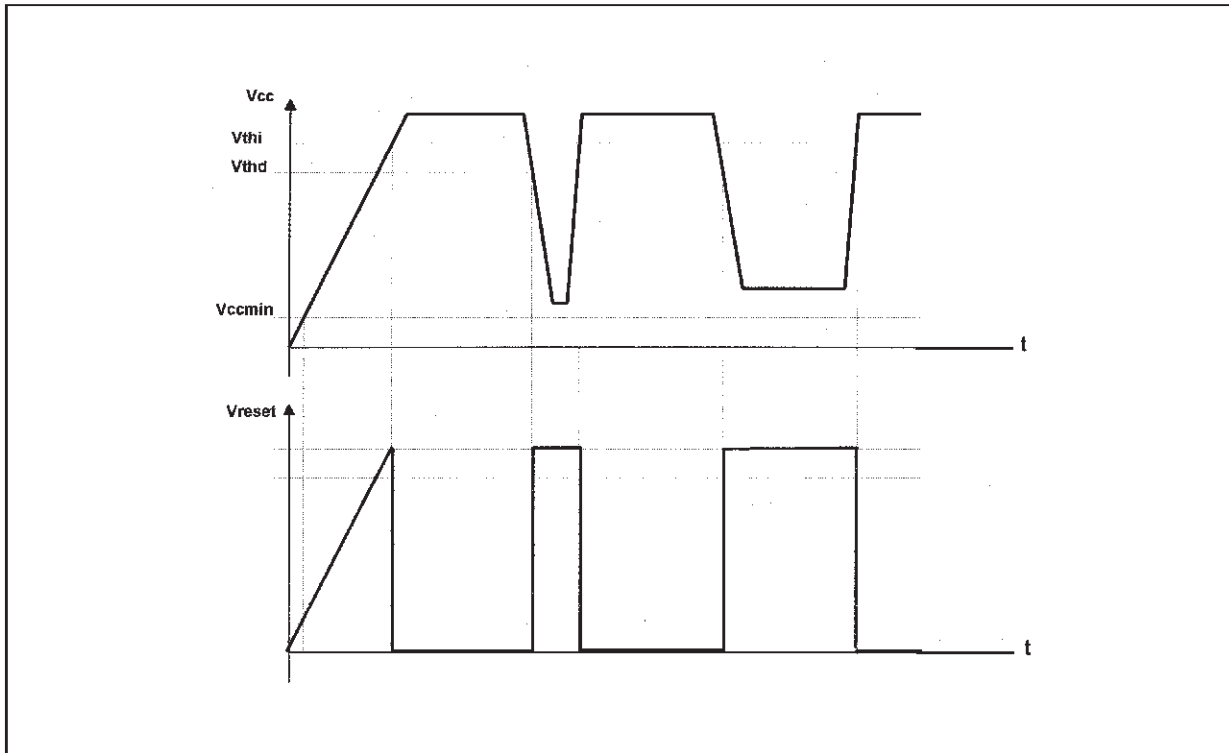
ELECTRICAL CHARACTERISTICS T_{amb} = 25°C (unless otherwise specified)

Symbol	Parameter	Min.	Typ.	Max.	Unit
V _{thi}	Threshold Voltage - V _{CC} Increasing T _{min.} ≤ T _{amb} ≤ T _{max.}	4.17	4.5	4.66	V
V _{thd}	Threshold Voltage - V _{CC} Decreasing T _{min.} ≤ T _{amb} ≤ T _{max.}	4.17	4.4	4.66	V
V _{hys}	Hysteresis Voltage	50	100	200	mV
I _{CC}	Current Consumption V _{CC} = 5V			12	μA
V _{OL}	Low Level Output Voltage I _{OL} = 8mA, T _{min.} ≤ T _{amb} ≤ T _{max.}		450	800 1000	mV
I _{OH}	Output Off-state Leakage T _{min.} ≤ T _{amb} ≤ T _{max.}		2	100 1000	nA
t _{phl}	Response Time High to Low R _L = 10kΩ, C _L = 15pF, V _{CC} = V _{thd} -10mV		20		μs

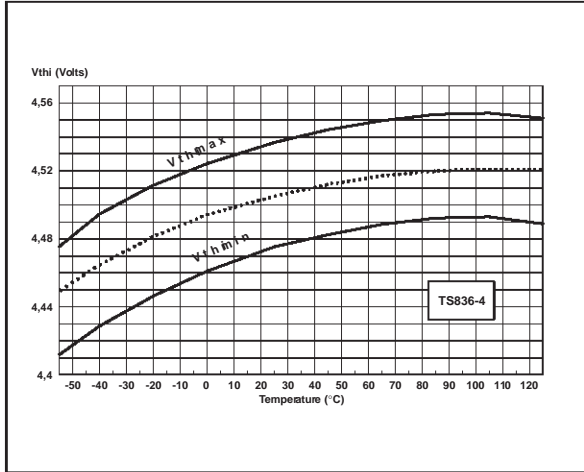
EQUIVALENT SCHEMATIC DIAGRAM



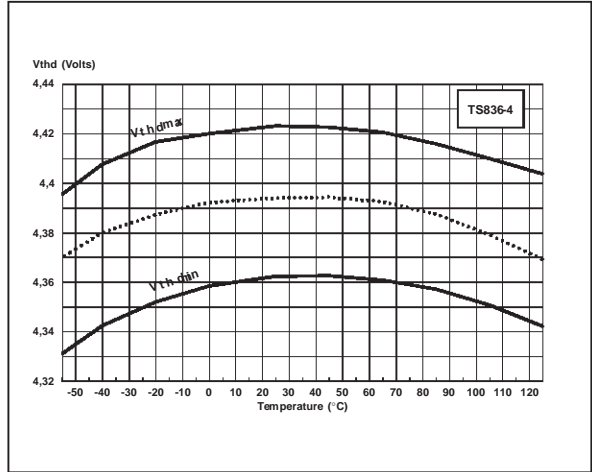
TIMING DIAGRAM



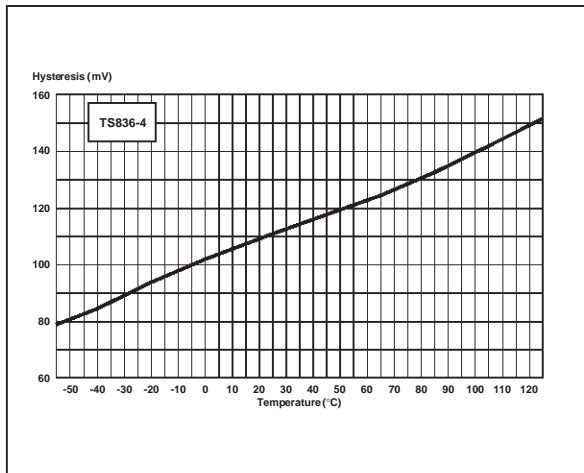
Vth vs Temperature while VCC increasing



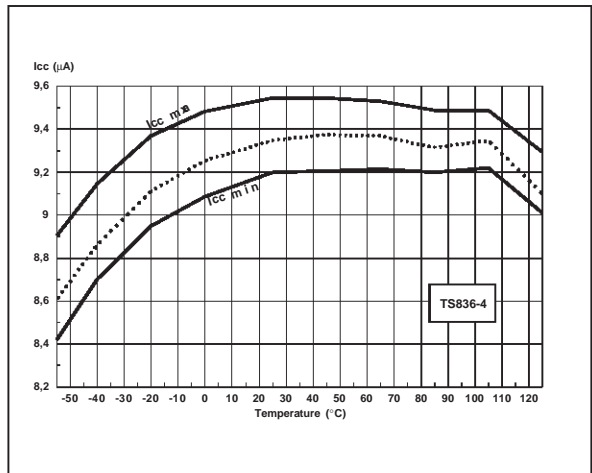
Vth vs Temperature while VCC decreasing



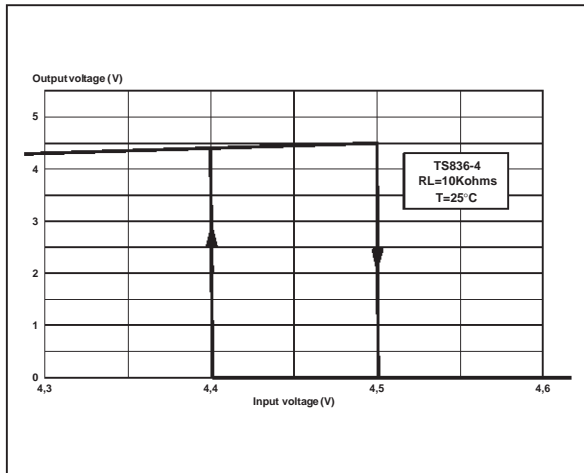
Hysteresis vs Temperature



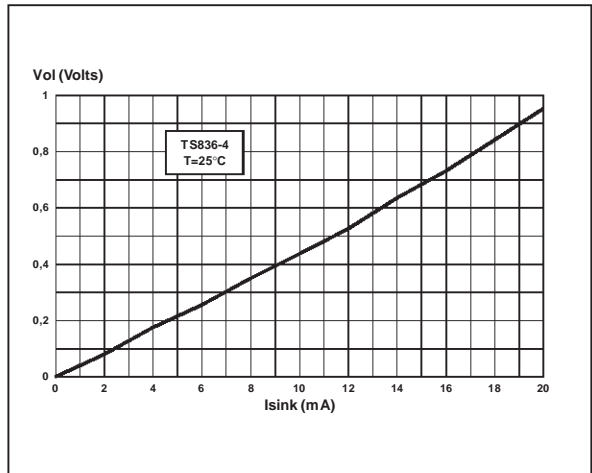
Icc vs Temperature



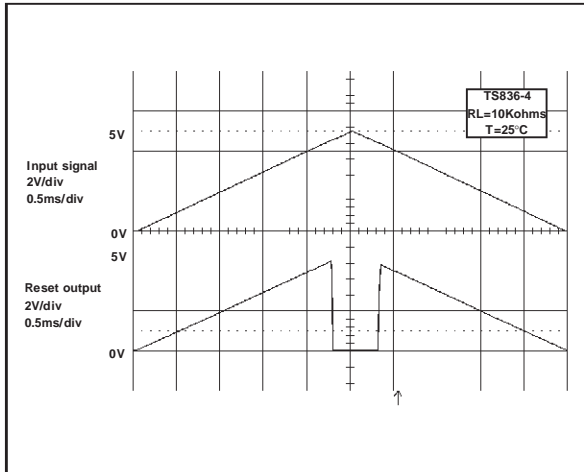
Reset Output Voltage vs Input Voltage



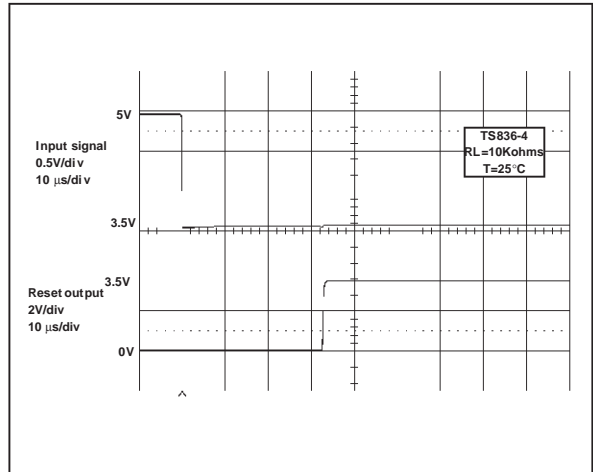
Voltage Output Low vs Sink Current



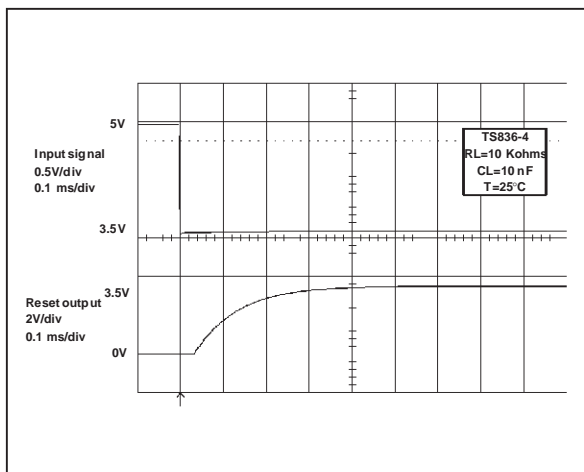
Reset Output Voltage vs Input Voltage



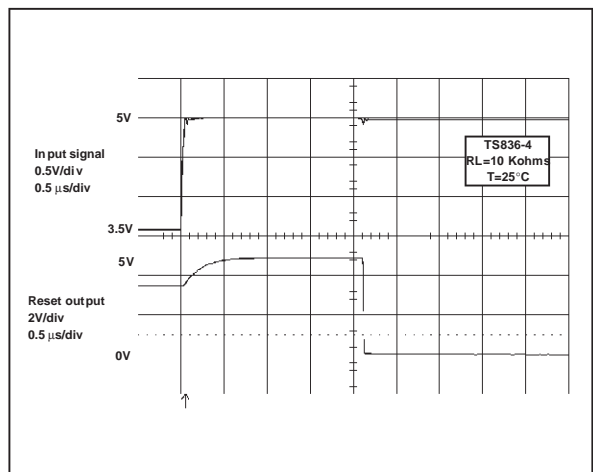
Supply Falling down : Reset Delay Time



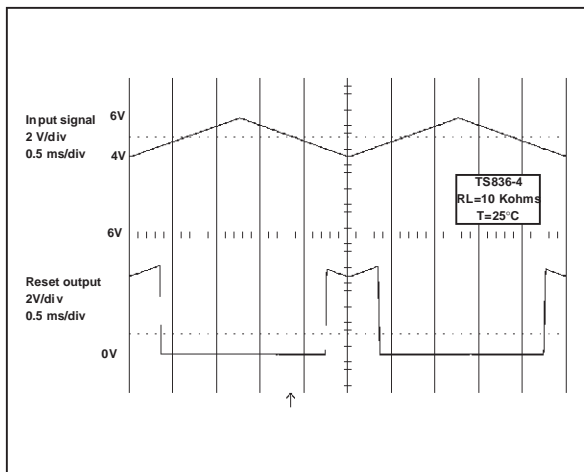
Supply Falling down : Extended Reset Delay Time with an Additional Capacitor



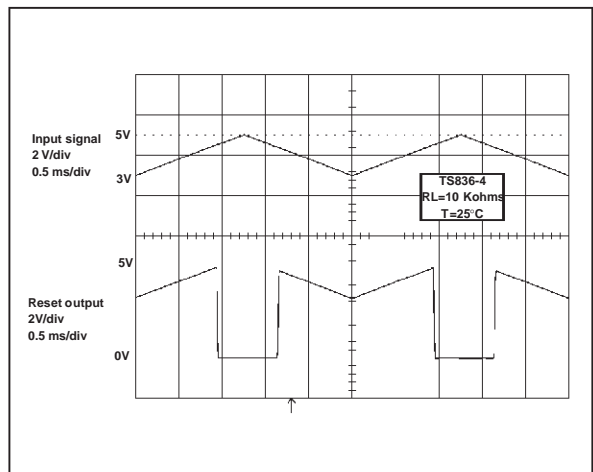
Supply Rising up : Output Delay Time



Reset Output Voltage vs Input Voltage (example)

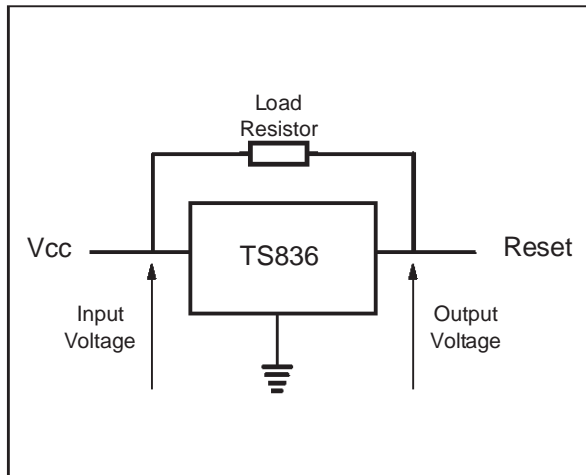


Reset Output Voltage vs Input Voltage (example)

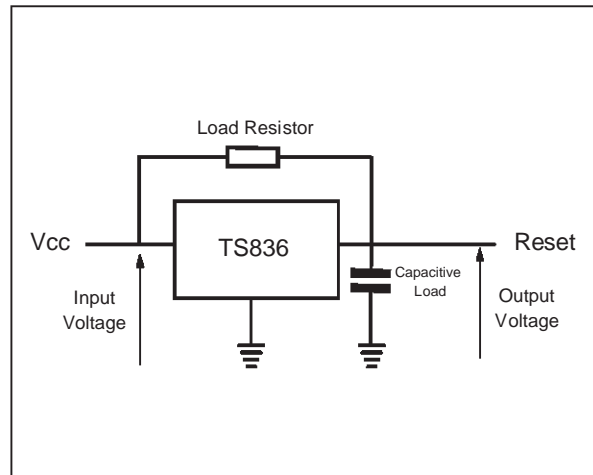


TS836

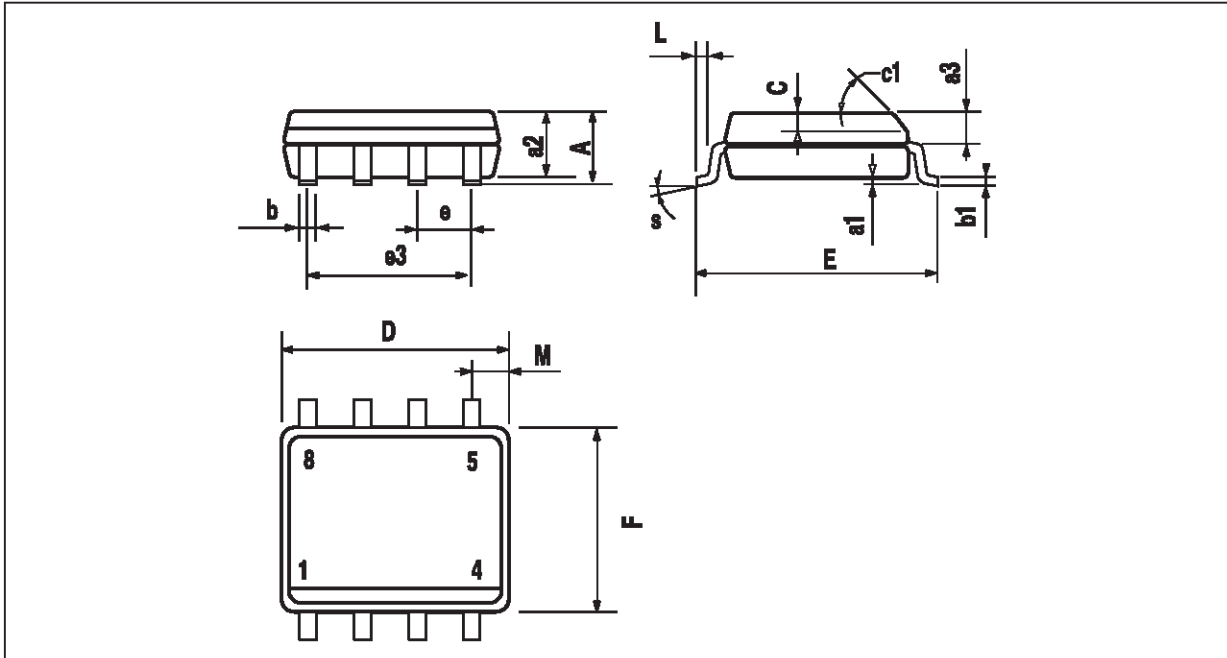
Basic Configuration



Configuration with an additional Capacitive Load

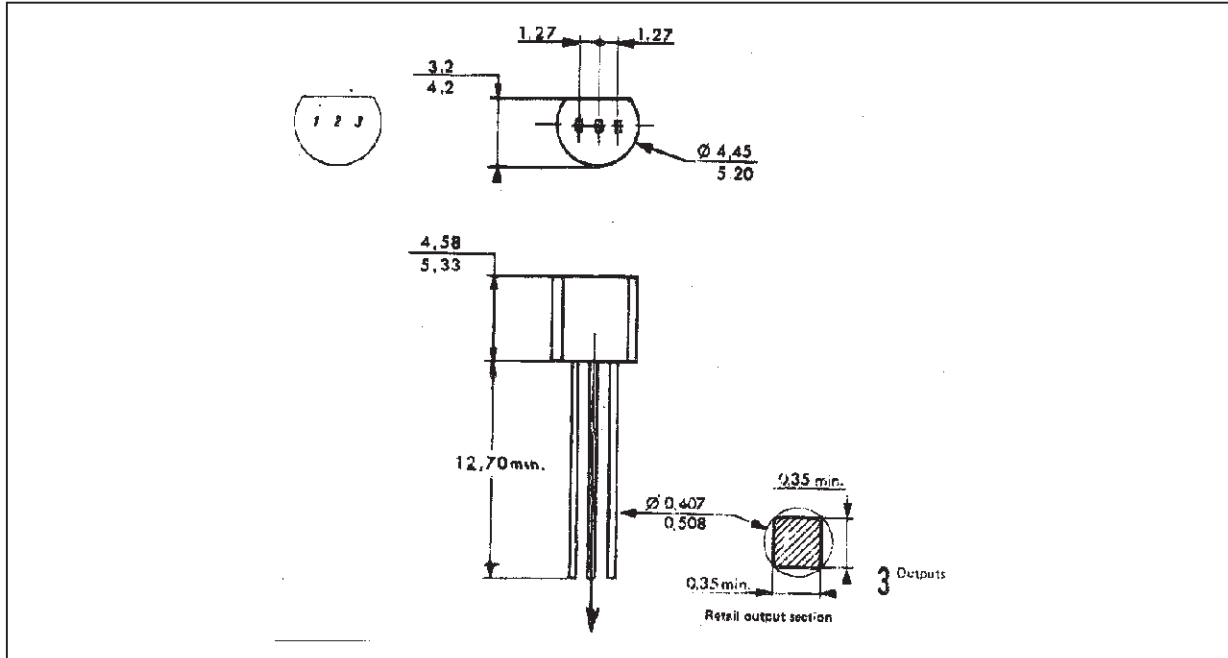


PACKAGE MECHANICAL DATA
8 PINS - PLASTIC MICROPACKAGE (SO)



Dim.	Millimeters			Inches		
	Min.	Typ.	Max.	Min.	Typ.	Max.
A			1.75			0.069
a1	0.1		0.25	0.004		0.010
a2			1.65			0.065
a3	0.65		0.85	0.026		0.033
b	0.35		0.48	0.014		0.019
b1	0.19		0.25	0.007		0.010
C	0.25		0.5	0.010		0.020
c1	45° (typ.)					
D	4.8		5.0	0.189		0.197
E	5.8		6.2	0.228		0.244
e		1.27			0.050	
e3		3.81			0.150	
F	3.8		4.0	0.150		0.157
L	0.4		1.27	0.016		0.050
M			0.6			0.024
S	8° (max.)					

PACKAGE MECHANICAL DATA
3 PINS - PLASTIC PACKAGE TO92



Dim.	Millimeters			Inches		
	Min.	Typ.	Max.	Min.	Typ.	Max.
L		1.27			0.05	
B	3.2	3.7	4.2	0.126	0.1457	0.1654
O1	4.45	5.00	5.2	0.1752	0.1969	0.2047
C	4.58	5.03	5.33	0.1803	0.198	0.2098
K	12.7			0.5		
O2	0.407	0.5	0.508	0.016	0.0197	0.02
a	0.35			0.0138		

Information furnished is believed to be accurate and reliable. However, STMicroelectronics assumes no responsibility for the consequences of use of such information nor for any infringement of patents or other rights of third parties which may result from its use. No license is granted by implication or otherwise under any patent or patent rights of STMicroelectronics. Specifications mentioned in this publication are subject to change without notice. This publication supersedes and replaces all information previously supplied. STMicroelectronics products are not authorized for use as critical components in life support devices or systems without express written approval of STMicroelectronics.

© The ST logo is a trademark of STMicroelectronics

© 1998 STMicroelectronics – Printed in Italy – All Rights Reserved
 STMicroelectronics GROUP OF COMPANIES

Australia - Brazil - Canada - China - France - Germany - Italy - Japan - Korea - Malaysia - Malta - Mexico - Morocco
 The Netherlands - Singapore - Spain - Sweden - Switzerland - Taiwan - Thailand - United Kingdom - U.S.A.