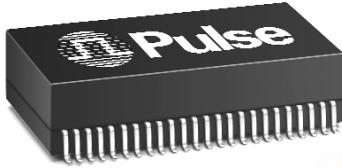


# T1/CEPT/ISDN-PRI TRANSFORMER

## Quad Port SMT Transformer Module with Line Side Protection



- Four transmit transformers, four receive transformers and line side protection circuit in a surface mount package
- Matched to Infineon's QUADFALC and QUADLIU transceivers
- Patented "Interlock Base" construction for high reliability
- IC grade transfer-molded package withstands 235°C IR reflow temperature
- Minimum Isolation voltage: 1500 Vrms (UL approval pending)

### Electrical Specifications @ 25°C — Operating Temperature -40°C to +85°C

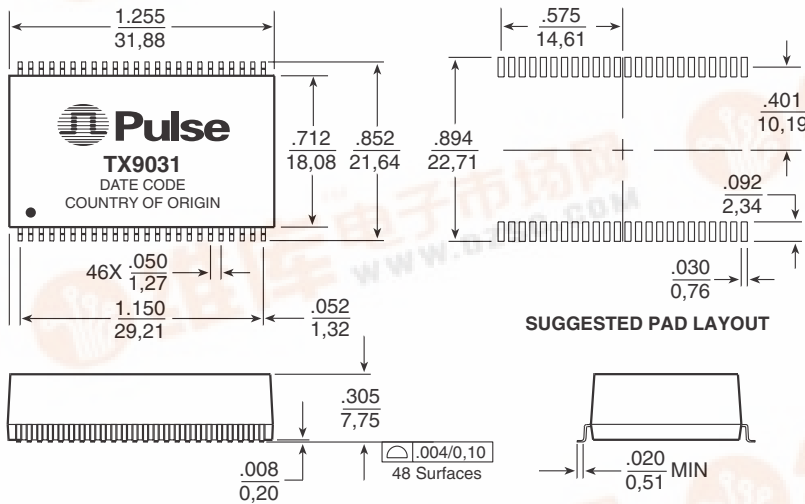
Part Number	Turns Ratio <sup>1</sup> (Pri:Sec ±5%)		OCL Line Side (mH MIN)	Cw/w (pF MAX)	LL (µH MAX)	Package/ Schematic	Primary Pins	
	Transmit	Receive					Transmit	Receive
TX9031	1CT:2.4	1:1CT	1.2	35 & 35	.50 & .80	BRT	1-3, 10-12, 13-15, 22-24	45-43, 42-40, 33-31, 30-28

**NOTE:** For extended temperature range transformers, OCL (Open Circuit Inductance for the primary winding) is specified at both -40°C and +25°C. At -40°C, OCL is 600 µH minimum. All other parameters are specified at +25°C.

### Mechanical

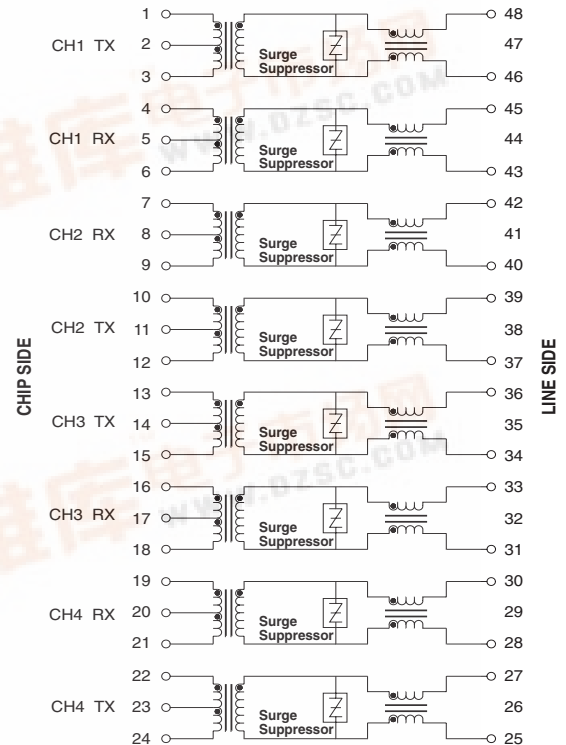
### Schematic

#### BRT



Weight .....9.2 grams  
Tape & Reel.....150/reel  
Tube .....15/tube

Dimensions: Inches  
mm  
Unless otherwise specified, all tolerances are ± .010  
0,25



### For More Information :

UNITED STATES (Worldwide)	UNITED KINGDOM (Northern Europe)	FRANCE (Southern Europe)	SINGAPORE (Southern Asia)	TAIWAN, R.O.C. (Northern Asia)	DISTRIBUTOR
12220 World Trade Drive San Diego, CA 92128 U.S.A. http://www.pulseeng.com TEL: 858 674 8100 FAX: 858 674 8262	1 & 2 Huxley Road The Surrey Research Park Guildford, Surrey GU2 5RE United Kingdom TEL: 44 1483 401700 FAX: 44 1483 401701	Zone Industrielle F-39270 Orgelet France TEL: 33 3 84 35 04 04 FAX: 33 3 84 25 46 41	150 Kampong Ampat #07-01/02 KA Centre Singapore 368324 TEL: 65 287 8998 FAX: 65 280 0080	3F-4, No. 81, Sec. 1 HsinTai Wu Road Hsi-Chih, Taipei Hsien Taiwan, R.O.C. Tel: 886 2 2698 0228 FAX: 886 2 2698 0948	