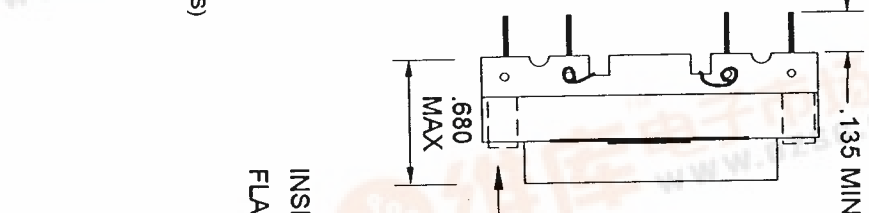
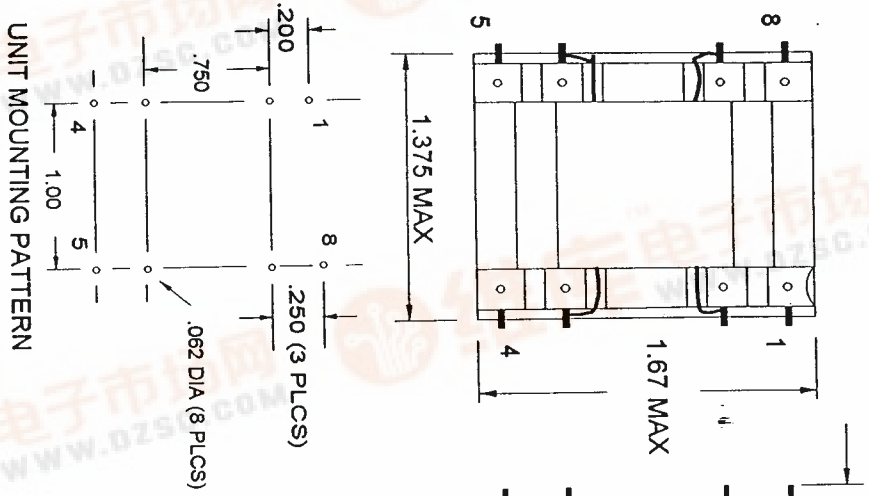
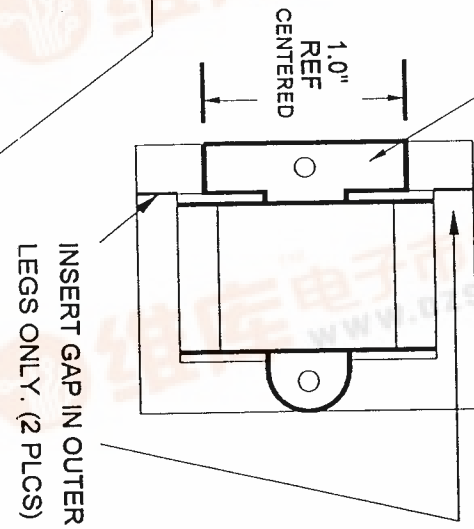


TY-305P.DC2



MODIFIED KEEPER (REMOVE OUTER LEGS)
KEEPER NOT TO CROSS GAP
IN OUTER LEGS.



INSERT GAP PAPER FROM BOBBIN
FLANGE TO ENSURE ALL "1"s ARE GAPPED.

INSERT GAP IN OUTER
LEGS ONLY. (2 PLCS)

UNIT MOUNTING PATTERN

PRODUCTION TESTS

TURNS RATIO: 100%	6-7: 61
DC	2-3: 108
RESISTANCE IN OHMS	
NOM	
APPLY: 1V 300Hz .100 ADC 6-7	
INDUCTANCE: 510 mHY MIN(PARALLEL MODE)	

HIPOT: 1500V P-S,C S-C

IMPREGNATION NOTES:

FINAL ASSEMBLY NOTES



METHOD BUTT W/ .005" GAP (CHECK)

MARKING PART NO., DATECODE, SITECODE

PART NO. TY-305P

