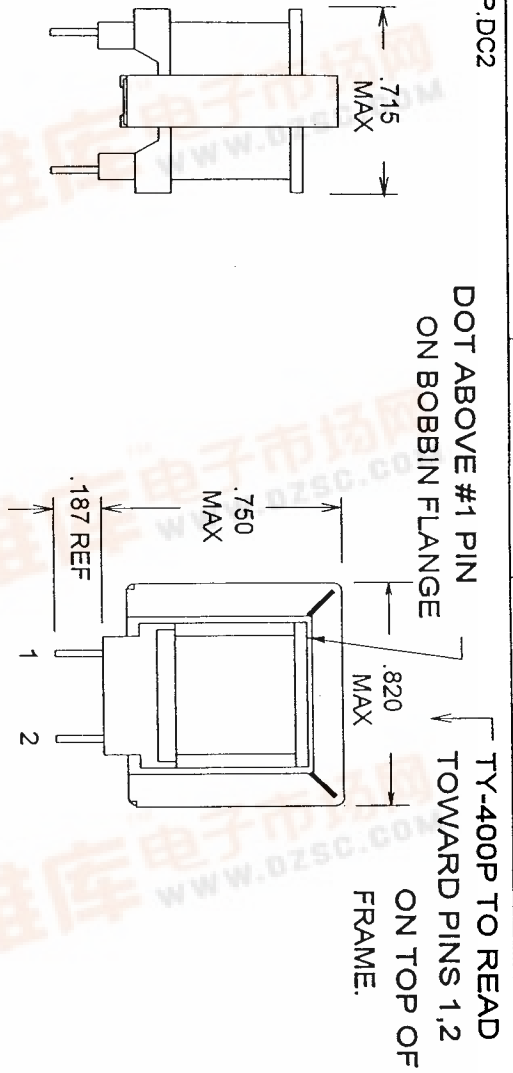


TOLERANCE UNLESS SPECIFIED = .XXX = +/- .005 .XX = +/- .015 FRACTIONS = +/- .032
 TY-400P.DC2



METHOD BUTT W/ .003" GAP

MARKING "TY-400P" ON TOP OF FRAME
 DATE & SITE CODE ON SIDE OF FRAME

PRODUCTION TESTS

DC	1-2 = 76.5
RESISTANCE IN OHMS	3-4 = 108
	NOM

APPLY = 1V 300 HZ .090 ADC PINS 1-2
 INDUCTANCE = 195 mHY MIN (PARALLEL MODE)

HIPOT = 1500V P-S-C
 500V S-C

CONTINUITY: 1-2 & 3-4 IN FINAL

IMPREGNATION NOTES =
 PINS TO BE FREE OF IMPREGNATION

FINAL ASSEMBLY NOTES

MagneTek

PART NO. TY-400P

