



UC1637
UC2637
UC3637

Switched Mode Controller for DC Motor Drive

FEATURES

- Single or Dual Supply Operation
- $\pm 2.5V$ to $\pm 20V$ Input Supply Range
- $\pm 5\%$ Initial Oscillator Accuracy; $\pm 10\%$ Over Temperature
- Pulse-by-Pulse Current Limiting
- Under-Voltage Lockout
- Shutdown Input with Temperature Compensated 2.5V Threshold
- Uncommitted PWM Comparators for Design Flexibility
- Dual 100mA, Source/Sink Output Drivers

DESCRIPTION

The UC1637 is a pulse width modulator circuit intended to be used for a variety of PWM motor drive and amplifier applications requiring either uni-directional or bi-directional drive circuits. When used to replace conventional drivers, this circuit can increase efficiency and reduce component costs for many applications. All necessary circuitry is included to generate an analog error signal and modulate two bi-directional pulse train outputs in proportion to the error signal magnitude and polarity.

This monolithic device contains a sawtooth oscillator, error amplifier, and two PWM comparators with $\pm 100mA$ output stages as standard features. Protection circuitry includes under-voltage lockout, pulse-by-pulse current limiting, and a shutdown port with a 2.5V temperature compensated threshold.

The UC1637 is characterized for operation over the full military temperature range of $-55^{\circ}C$ to $+125^{\circ}C$, while the UC2637 and UC3637 are characterized for $-25^{\circ}C$ to $+85^{\circ}C$ and $0^{\circ}C$ to $+70^{\circ}C$, respectively.

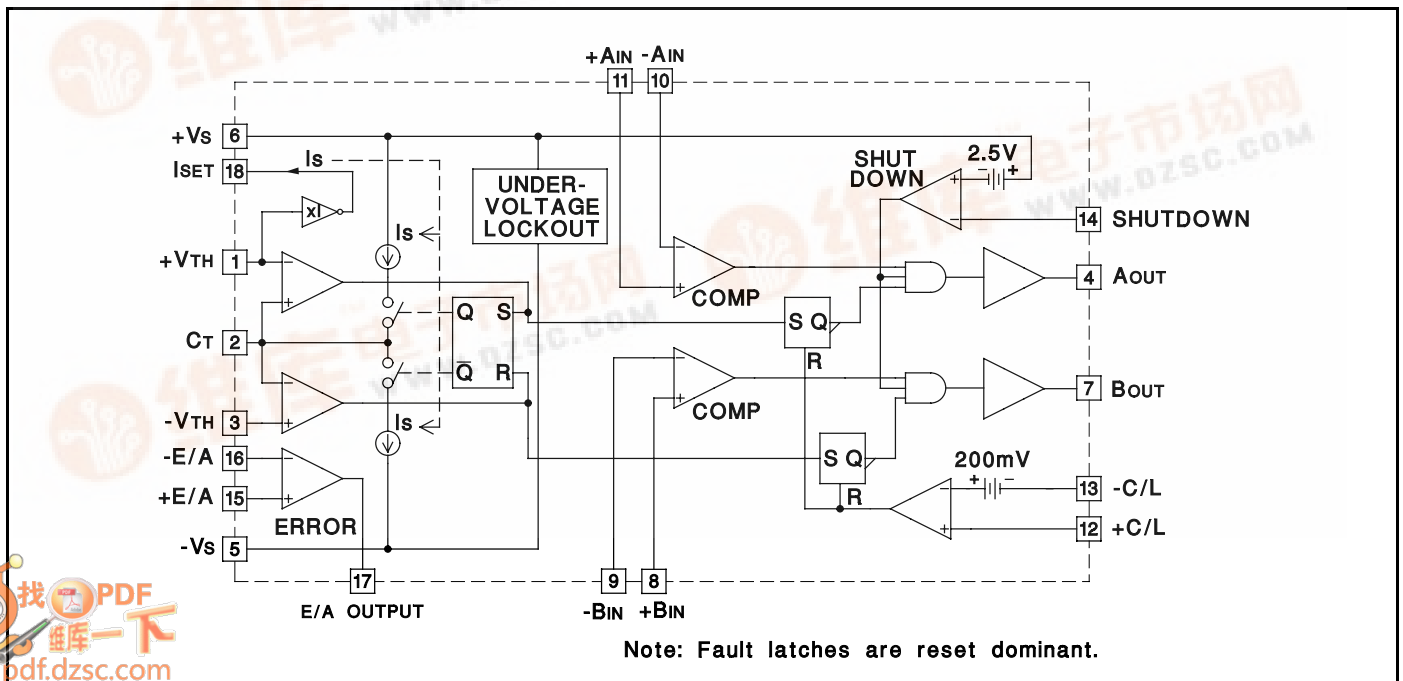
ABSOLUTE MAXIMUM RATINGS (Note 1)

| | |
|--|-----------------------------------|
| Supply Voltage ($\pm V_s$) | $\pm 20V$ |
| Output Current, Source/Sink (Pins 4, 7) | 500mA |
| Analog Inputs (Pins 1, 2, 3, 8, 9, 10, 11, 12, 13, 14, 15, 16) | $\pm V_s$ |
| Error Amplifier Output Current (Pin 17) | $\pm 20mA$ |
| Oscillator Charging Current (Pin 18) | -2mA |
| Power Dissipation at $T_A = 25^{\circ}C$ (Note 2) | 1000mW |
| Power Dissipation at $T_C = 25^{\circ}C$ (Note 2) | 2000mW |
| Storage Temperature Range | $-65^{\circ}C$ to $+150^{\circ}C$ |
| Lead Temperature (Soldering, 10 Seconds) | $+300^{\circ}C$ |

Note 1: Currents are positive into, negative out of the specified terminal.

Note 2: Consult Packaging Section of Databook for thermal limitations and considerations of package.

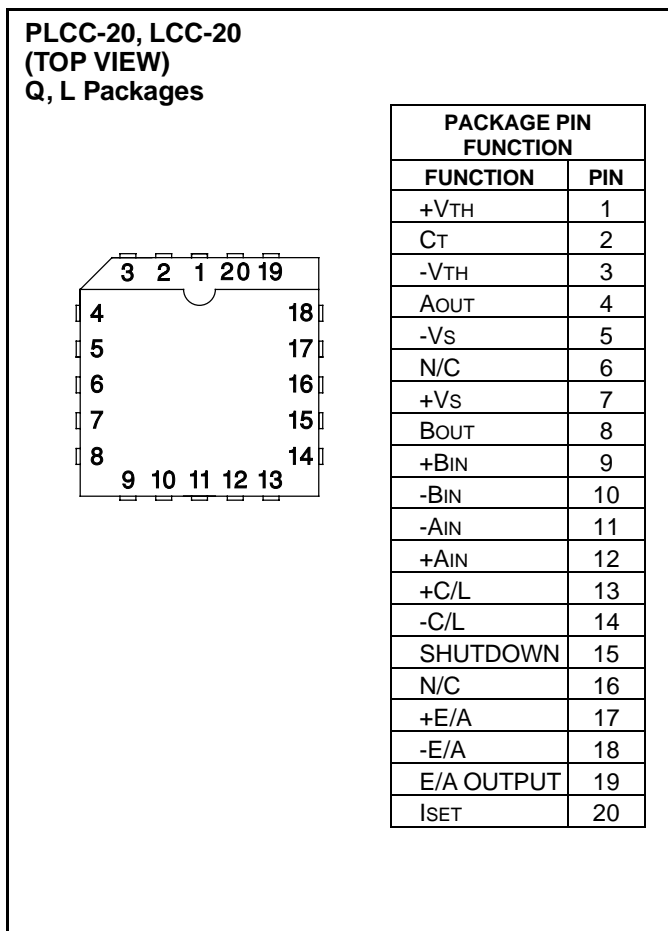
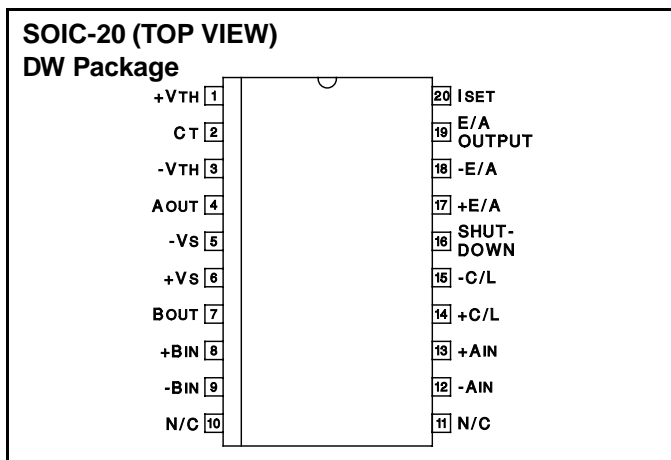
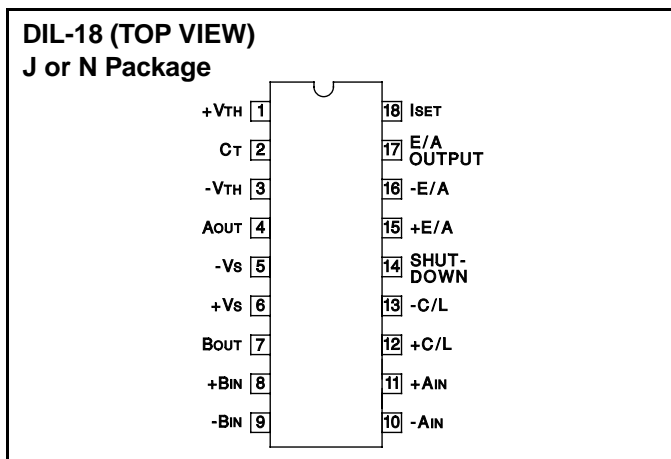
BLOCK DIAGRAM



Note: Fault latches are reset dominant.



CONNECTION DIAGRAM



ELECTRICAL CHARACTERISTICS: Unless otherwise stated, these specifications apply for $T_A = -55^\circ\text{C}$ to $+125^\circ\text{C}$ for the UC1637; -25°C to $+85^\circ\text{C}$ for the UC2637; and 0°C to $+70^\circ\text{C}$ for the UC3637; $+V_S = +15\text{V}$, $-V_S = -15\text{V}$, $+V_{TH} = 5\text{V}$, $-V_{TH} = -5\text{V}$, $R_T = 16.7\text{k}\Omega$, $C_T = 1500\text{pF}$, $T_A = T_J$.

| PARAMETER | TEST CONDITIONS | UC1637/UC2637 | | | UC3637 | | | UNITS |
|---|--|--------------------|------|--------------------|--------------------|------|--------------------|------------------|
| | | MIN | TYP | MAX | MIN | TYP | MAX | |
| Oscillator | | | | | | | | |
| Initial Accuracy | $T_J = 25^\circ\text{C}$ (Note 6) | 9.4 | 10 | 10.6 | 9 | 10 | 11 | kHz |
| Voltage Stability | $V_S = \pm 5\text{V}$ to $\pm 20\text{V}$, $V_{PIN 1} = 3\text{V}$, $V_{PIN 3} = -3\text{V}$ | | 5 | 7 | | 5 | 7 | % |
| Temperature Stability | Over Operating Range (Note 3) | | 0.5 | 2 | | 0.5 | 2 | % |
| +V _{TH} Input Bias Current | $V_{PIN 2} = 6\text{V}$ | -10 | 0.1 | 10 | -10 | 0.1 | 10 | μA |
| -V _{TH} Input Bias Current | $V_{PIN 2} = 0\text{V}$ | -10 | -0.5 | | -10 | -0.5 | | μA |
| +V _{TH} , -V _{TH} Input Range | | +V _S -2 | | -V _S +2 | +V _S -2 | | -V _S +2 | V |
| Error Amplifier | | | | | | | | |
| Input Offset Voltage | $V_{CM} = 0\text{V}$ | | 1.5 | 5 | | 1.5 | 10 | mV |
| Input Bias Current | $V_{CM} = 0\text{V}$ | | 0.5 | 5 | | 0.5 | 5 | μA |
| Input Offset Current | $V_{CM} = 0\text{V}$ | | 0.1 | 1 | | 0.1 | 1 | μA |
| Common Mode Range | $V_S = \pm 2.5$ to 20V | -V _S +2 | | +V _S | -V _S +2 | | +V _S | V |
| Open Loop Voltage Gain | $R_L = 10\text{k}$ | 75 | 100 | | 80 | 100 | | dB |
| Slew Rate | | | 15 | | | 15 | | V/ μs |
| Unity Gain Bandwidth | | | 2 | | | 2 | | MHz |
| CMRR | Over Common Mode Range | 75 | 100 | | 75 | 100 | | dB |
| PSRR | $V_S = \pm 2.5$ to $\pm 20\text{V}$ | 75 | 110 | | 75 | 110 | | dB |

UC1637
UC2637
UC3637

ELECTRICAL CHARACTERISTICS: Unless otherwise stated, these specifications apply for $T_A = -55^{\circ}\text{C}$ to $+125^{\circ}\text{C}$ for the UC1637; -25°C to $+85^{\circ}\text{C}$ for the UC2637; and 0°C to $+70^{\circ}\text{C}$ for the UC3637: $V_S = +15\text{V}$, $-V_S = -15\text{V}$, $+V_{TH} = 5\text{V}$, $-V_{TH} = -5\text{V}$, $R_T = 16.7\text{k}\Omega$, $C_T = 1500\text{pF}$, $T_A = T_J$.

| PARAMETERS | TEST CONDITIONS | UC1637/UC2637 | | | UC3637 | | | UNITS |
|------------------------------------|--|---------------|-------|----------|----------|-------|----------|------------------------|
| | | MIN | TYP | MAX | MIN | TYP | MAX | |
| Error Amplifier (Continued) | | | | | | | | |
| Output Sink Current | $V_{PIN\ 17} = 0\text{V}$ | | -50 | -20 | | -50 | -20 | mA |
| Output Source Current | $V_{PIN\ 17} = 0\text{V}$ | 5 | 11 | | 5 | 11 | | mA |
| High Level Output Voltage | | 13 | 13.6 | | 13 | 13.6 | | V |
| Low Level Output Voltage | | | -14.8 | -13 | | -14.8 | -13 | V |
| PWM Comparators | | | | | | | | |
| Input Offset Voltage | $V_{CM} = 0\text{V}$ | | 20 | | | 20 | | mV |
| Input Bias Current | $V_{CM} = 0\text{V}$ | | 2 | 10 | | 2 | 10 | μA |
| Input Hysteresis | $V_{CM} = 0\text{V}$ | | 10 | | | 10 | | mV |
| Common Mode range | $V_S = \pm 5\text{V}$ to $\pm 20\text{V}$ | $-V_S+1$ | | $+V_S-2$ | $-V_S+1$ | | $+V_S-2$ | V |
| Current Limit | | | | | | | | |
| Input Offset Voltage | $V_{CM} = 0\text{V}$, $T_J = 25^{\circ}\text{C}$ | 190 | 200 | 210 | 180 | 200 | 220 | mV |
| Input Offset Voltage T.C. | | | -0.2 | | | -0.2 | | mV/ $^{\circ}\text{C}$ |
| Input Bias Current | | -10 | -1.5 | | -10 | -1.5 | | μA |
| Common Mode Range | $V_S = \pm 2.5\text{V}$ to $\pm 20\text{V}$ | $-V_S$ | | $+V_S-3$ | $-V_S$ | | $+V_S-3$ | V |
| Shutdown | | | | | | | | |
| Shutdown Threshold | (Note 4) | -2.3 | -2.5 | -2.7 | -2.3 | -2.5 | -2.7 | V |
| Hysteresis | | | 40 | | | 40 | | mV |
| Input Bias Current | $V_{PIN\ 14} = +V_S$ to $-V_S$ | -10 | -0.5 | | -10 | -0.5 | | μA |
| Under-Voltage Lockout | | | | | | | | |
| Start Threshold | (Note 5) | | 4.15 | 5.0 | | 4.15 | 5.0 | V |
| Hysteresis | | | 0.25 | | | 0.25 | | mV |
| Total Standby Current | | | | | | | | |
| Supply Current | | | 8.5 | 15 | | 8.5 | 15 | mA |
| Output Section | | | | | | | | |
| Output Low Level | $I_{SINK} = 20\text{mA}$ | | -14.9 | -13 | | -14.9 | -13 | V |
| | $I_{SINK} = 100\text{mA}$ | | -14.5 | -13 | | -14.5 | -13 | |
| Output High Level | $I_{SOURCE} = 20\text{mA}$ | 13 | 13.5 | | 13 | 13.5 | | V |
| | $I_{SOURCE} = 100\text{mA}$ | 12 | 13.5 | | 12 | 13.5 | | |
| Rise Time | (Note 3) $C_L = \text{Inf}$, $T_J = 25^{\circ}\text{C}$ | | 100 | 600 | | 100 | 600 | ns |
| Fall Time | (Note 3) $C_L = \text{Inf}$, $T_J = 25^{\circ}\text{C}$ | | 100 | 300 | | 100 | 300 | ns |

Note 3: These parameters, although guaranteed over the recommended operating conditions, are not 100% tested in production.

Note 4: Parameter measured with respect to $+V_S$ (Pin 6).

Note 5: Parameter measured at $+V_S$ (Pin 6) with respect to $-V_S$ (Pin 5).

Note 6: R_T and C_T referenced to Ground.

FUNCTIONAL DESCRIPTION

Following is a description of each of the functional blocks shown in the Block Diagram.

Oscillator

The oscillator consists of two comparators, a charging and discharging current source, a current source set terminal, ISET and a flip-flop. The upper and lower threshold of the oscillator waveform is set externally by applying a voltage at pins $+V_{TH}$ and $-V_{TH}$ respectively. The $+V_{TH}$ ter-

minal voltage is buffered internally and also applied to the ISET terminal to develop the capacitor charging current through R_T . If R_T is referenced to $-V_S$ as shown in Figure 1, both the threshold voltage and charging current will vary proportionally to the supply differential, and the oscillator frequency will remain constant. The triangle waveform oscillators frequency and voltage amplitude is determined by the external components using the formulas given in Figure 1.

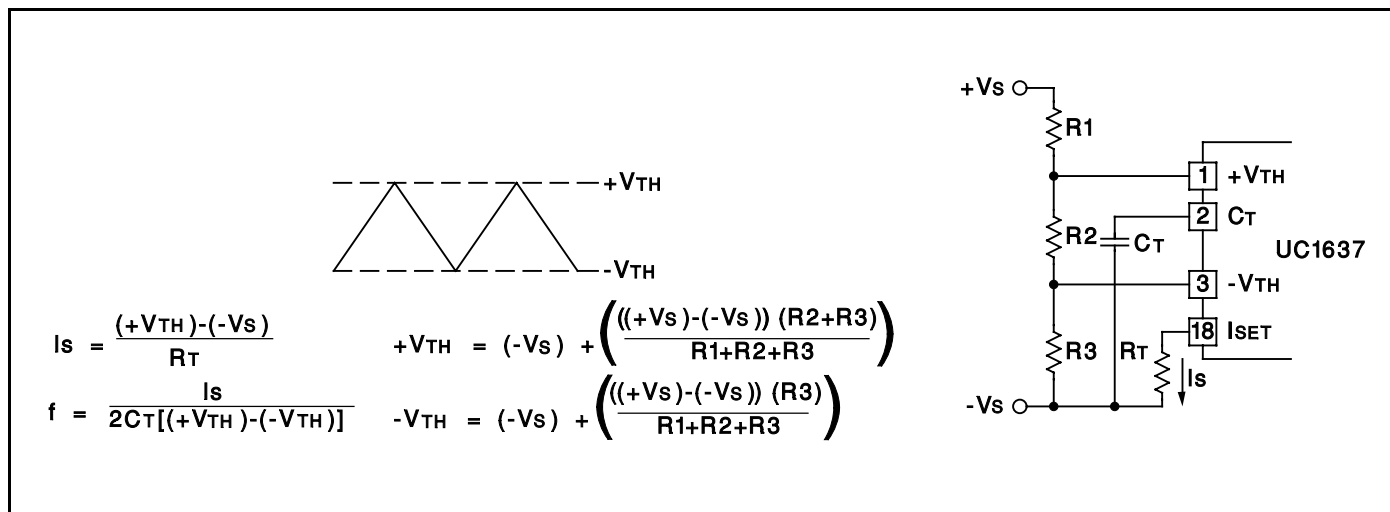


Figure 1. Oscillator Setup

PWM Comparators

Two comparators are provided to perform pulse width modulation for each of the output drivers. Inputs are uncommitted to allow maximum flexibility. The pulse width of the outputs A and B is a function of the sign and amplitude of the error signal. A negative signal at Pin 10 and 8 will lengthen the high state of output A and shorten the high state of output B. Likewise, a positive error signal reverses the procedure. Typically, the oscillator waveform is compared against the summation of the error signal and the level set on Pin 9 and 11.

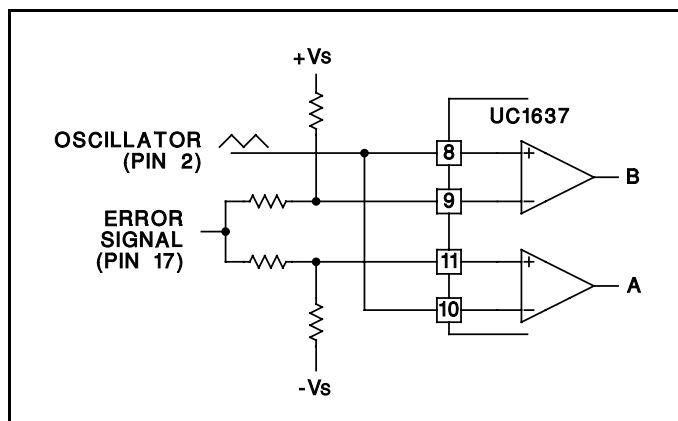


Figure 2. Comparator Biasing

MODULATION SCHEMES

Case A Zero Deadtime (Equal voltage on Pin 9 and Pin 11)

In this configuration, maximum holding torque or stiffness and position accuracy is achieved. However, the power input into the motor is increased. Figure 3A shows this configuration.

Case B Small Deadtime (Voltage on Pin 9 > Pin 11)

A small differential voltage between Pin 9 and 11 provides the necessary time delay to reduce the chances of momentary short circuit in the output stage during transitions, especially where power-amplifiers are used. Refer to Figure 3B.

Case C Increased Deadtime and Deadband Mode

(Voltage on Pin 9 > Pin 11)

With the reduction of stiffness and position accuracy, the power input into the motor around the null point of the servo loop can be reduced or eliminated by widening the window of the comparator circuit to a degree of acceptance. Where position accuracy and mechanical stiffness is unimportant, deadband operation can be used. This is shown in Figure 3C.

Output Drivers

Each output driver is capable of both sourcing and sinking 100mA steady state and up to 500mA on a pulsed basis for rapid switching of either POWERFET or bipolar transistors. Output levels are typically $-V_s + 0.2V$ @50mA low level and $+V_s - 2.0V$ @50mA high level.

Error Amplifier

The error amplifier consists of a high slew rate ($15V/\mu s$) op-amp with a typical 1MHz bandwidth and low output impedance. Depending on the $\pm V_s$ supply voltage, the common mode input range and the voltage output swing is within 2V of the V_s supply.

Under-Voltage Lockout

An under-voltage lockout circuit holds the outputs in the low state until a minimum of 4V is reached. At this point, all internal circuitry is functional and the output drivers are enabled. If external circuitry requires a higher starting voltage, an over-riding voltage can be programmed through the shutdown terminal as shown in Figure 4.

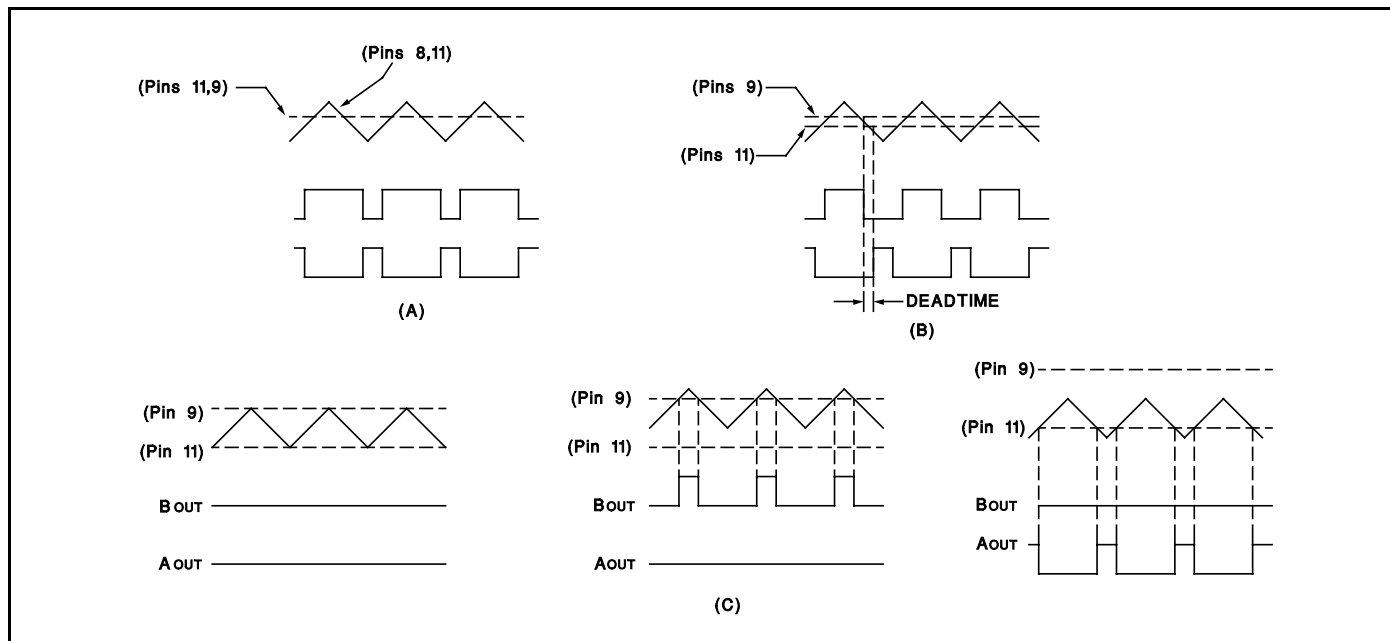


Figure 3. Modulation Schemes Showing (A) Zero Deadtime (B) Deadtime and (C) Deadband Configurations

Shutdown Comparator

The shutdown terminal may be used for implementing various shutdown and protection schemes. By pulling the terminal more than 2.5V below V_{IN} , the output drivers will be enabled. This can be realized using an open collector gate or NPN transistor biased to either ground or the negative supply. Since the threshold is temperature stabilized, the comparator can be used as an accurate low voltage lockout (Figure 4) and/or delayed start as in Figure 5. In the shutdown mode the outputs are held in the low state.

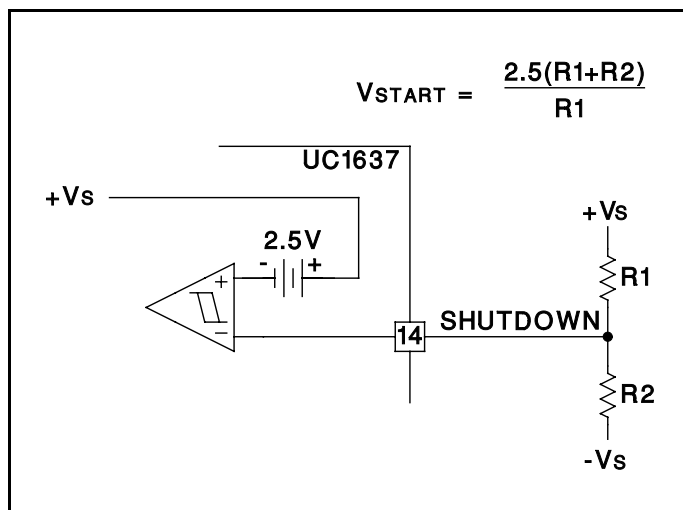


Figure 4. External Under-Voltage Lockout

Current Limit

A latched current limit amplifier with an internal 200mV offset is provided to allow pulse-by-pulse current limiting. Differential inputs will accept common mode signals from

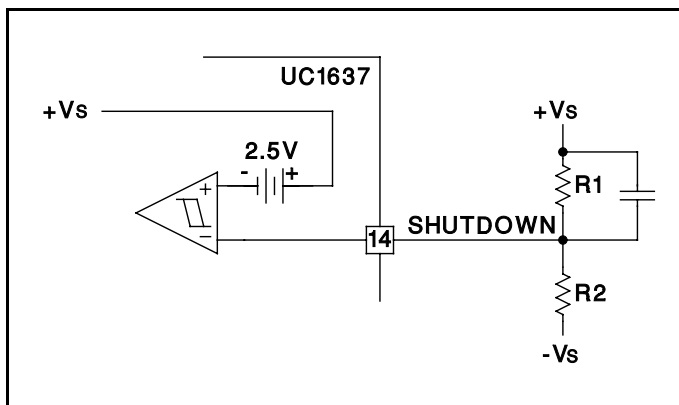


Figure 5. Delayed Start-Up

$-V_s$ to within 3V of the $+V_s$ supply while providing excellent noise rejection. Figure 6 shows a typical current sense circuit.

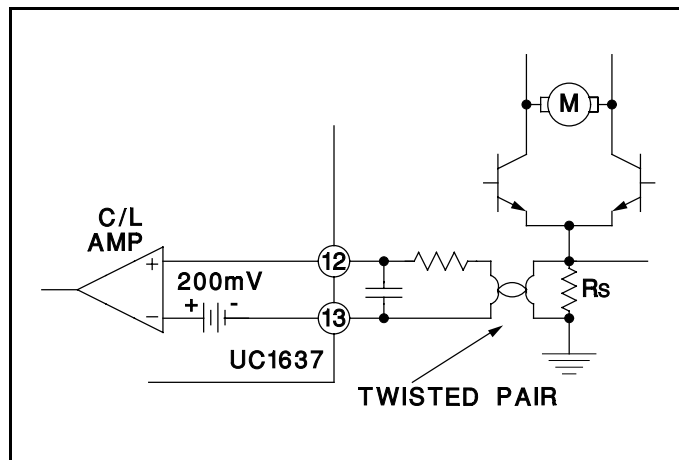


Figure 6. Current Limit Sensing

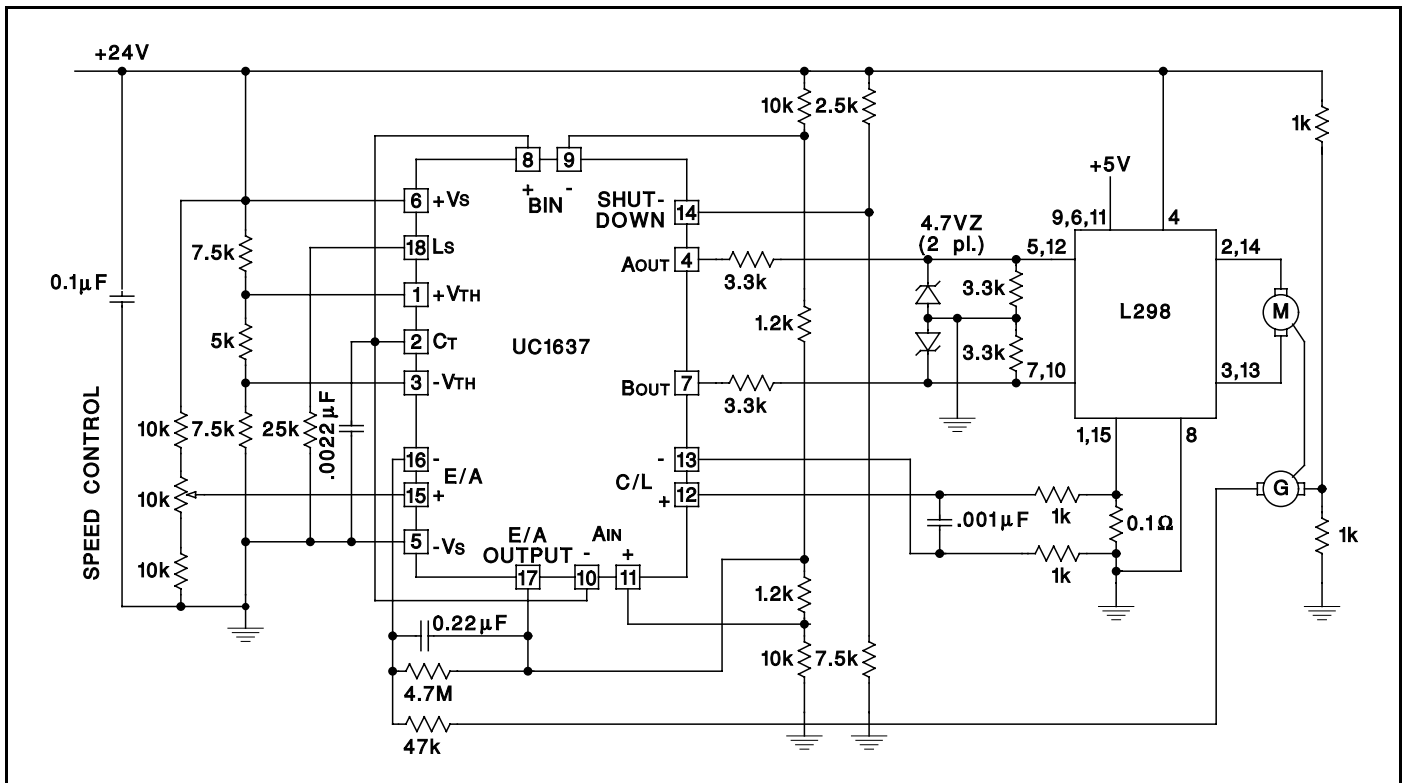


Figure 7. Bi-Directional Motor Drive with Speed Control Power-Amplifier

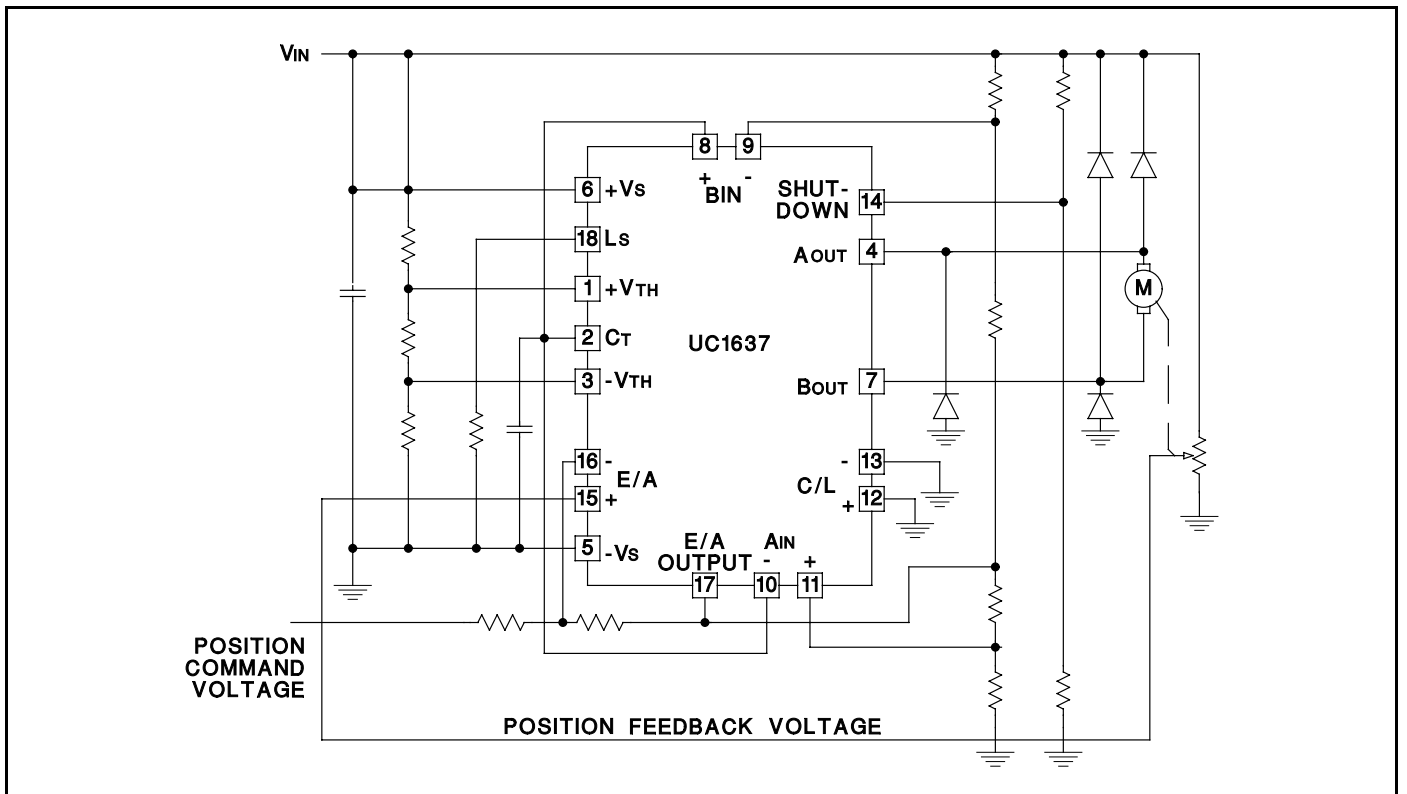


Figure 8. Single Supply Position Servo Motor Drive

PACKAGING INFORMATION

| Orderable Device | Status ⁽¹⁾ | Package Type | Package Drawing | Pins | Package Qty | Eco Plan ⁽²⁾ | Lead/Ball Finish | MSL Peak Temp ⁽³⁾ |
|------------------|-----------------------|--------------|-----------------|------|-------------|-------------------------|------------------|------------------------------|
| 5962-89957012A | ACTIVE | LCCC | FK | 20 | 1 | TBD | POST-PLATE | Level-NC-NC-NC |
| 5962-8995701VA | ACTIVE | CDIP | J | 18 | 1 | TBD | A42 SNPB | Level-NC-NC-NC |
| UC1637J | ACTIVE | CDIP | J | 18 | 1 | TBD | A42 SNPB | Level-NC-NC-NC |
| UC1637J883B | ACTIVE | CDIP | J | 18 | 1 | TBD | A42 SNPB | Level-NC-NC-NC |
| UC1637L | ACTIVE | LCCC | FK | 20 | 1 | TBD | POST-PLATE | Level-NC-NC-NC |
| UC1637L883B | ACTIVE | LCCC | FK | 20 | 1 | TBD | POST-PLATE | Level-NC-NC-NC |
| UC2637DW | ACTIVE | SOIC | DW | 20 | 25 | Green (RoHS & no Sb/Br) | CU NIPDAU | Level-2-260C-1 YEAR |
| UC2637DWG4 | ACTIVE | SOIC | DW | 20 | 25 | Green (RoHS & no Sb/Br) | CU NIPDAU | Level-2-260C-1 YEAR |
| UC2637DWTR | ACTIVE | SOIC | DW | 20 | 2000 | Green (RoHS & no Sb/Br) | CU NIPDAU | Level-2-260C-1 YEAR |
| UC2637J | ACTIVE | CDIP | J | 18 | 1 | TBD | A42 SNPB | Level-NC-NC-NC |
| UC2637N | ACTIVE | PDIP | N | 18 | 20 | Green (RoHS & no Sb/Br) | CU NIPDAU | Level-NC-NC-NC |
| UC2637NG4 | ACTIVE | PDIP | N | 18 | 20 | Green (RoHS & no Sb/Br) | CU NIPDAU | Level-NC-NC-NC |
| UC2637Q | ACTIVE | PLCC | FN | 20 | 46 | Green (RoHS & no Sb/Br) | CU SN | Level-2-260C-1 YEAR |
| UC2637QTR | ACTIVE | PLCC | FN | 20 | 1000 | Green (RoHS & no Sb/Br) | CU SN | Level-2-260C-1 YEAR |
| UC3637DW | ACTIVE | SOIC | DW | 20 | 25 | Green (RoHS & no Sb/Br) | CU NIPDAU | Level-2-260C-1 YEAR |
| UC3637DWTR | ACTIVE | SOIC | DW | 20 | 2000 | Green (RoHS & no Sb/Br) | CU NIPDAU | Level-2-260C-1 YEAR |
| UC3637DWTRG4 | ACTIVE | SOIC | DW | 20 | 2000 | Green (RoHS & no Sb/Br) | CU NIPDAU | Level-2-260C-1 YEAR |
| UC3637J | ACTIVE | CDIP | J | 18 | 1 | TBD | A42 SNPB | Level-NC-NC-NC |
| UC3637N | ACTIVE | PDIP | N | 18 | 20 | Green (RoHS & no Sb/Br) | CU NIPDAU | Level-NC-NC-NC |
| UC3637NG4 | ACTIVE | PDIP | N | 18 | 20 | Green (RoHS & no Sb/Br) | CU NIPDAU | Level-NC-NC-NC |
| UC3637Q | ACTIVE | PLCC | FN | 20 | 46 | Green (RoHS & no Sb/Br) | CU SN | Level-2-260C-1 YEAR |

⁽¹⁾ The marketing status values are defined as follows:

ACTIVE: Product device recommended for new designs.

LIFEBUY: TI has announced that the device will be discontinued, and a lifetime-buy period is in effect.

NRND: Not recommended for new designs. Device is in production to support existing customers, but TI does not recommend using this part in a new design.

PREVIEW: Device has been announced but is not in production. Samples may or may not be available.

OBSOLETE: TI has discontinued the production of the device.

⁽²⁾ Eco Plan - The planned eco-friendly classification: Pb-Free (RoHS) or Green (RoHS & no Sb/Br) - please check <http://www.ti.com/productcontent> for the latest availability information and additional product content details.

TBD: The Pb-Free/Green conversion plan has not been defined.

Pb-Free (RoHS): TI's terms "Lead-Free" or "Pb-Free" mean semiconductor products that are compatible with the current RoHS requirements for all 6 substances, including the requirement that lead not exceed 0.1% by weight in homogeneous materials. Where designed to be soldered at high temperatures, TI Pb-Free products are suitable for use in specified lead-free processes.

Green (RoHS & no Sb/Br): TI defines "Green" to mean Pb-Free (RoHS compatible), and free of Bromine (Br) and Antimony (Sb) based flame retardants (Br or Sb do not exceed 0.1% by weight in homogeneous material)

⁽³⁾ MSL, Peak Temp. -- The Moisture Sensitivity Level rating according to the JEDEC industry standard classifications, and peak solder temperature.

Important Information and Disclaimer:The information provided on this page represents TI's knowledge and belief as of the date that it is provided. TI bases its knowledge and belief on information provided by third parties, and makes no representation or warranty as to the accuracy of such information. Efforts are underway to better integrate information from third parties. TI has taken and continues to take reasonable steps to provide representative and accurate information but may not have conducted destructive testing or chemical analysis on incoming materials and chemicals. TI and TI suppliers consider certain information to be proprietary, and thus CAS numbers and other limited information may not be available for release.

In no event shall TI's liability arising out of such information exceed the total purchase price of the TI part(s) at issue in this document sold by TI to Customer on an annual basis.

IMPORTANT NOTICE

Texas Instruments Incorporated and its subsidiaries (TI) reserve the right to make corrections, modifications, enhancements, improvements, and other changes to its products and services at any time and to discontinue any product or service without notice. Customers should obtain the latest relevant information before placing orders and should verify that such information is current and complete. All products are sold subject to TI's terms and conditions of sale supplied at the time of order acknowledgment.

TI warrants performance of its hardware products to the specifications applicable at the time of sale in accordance with TI's standard warranty. Testing and other quality control techniques are used to the extent TI deems necessary to support this warranty. Except where mandated by government requirements, testing of all parameters of each product is not necessarily performed.

TI assumes no liability for applications assistance or customer product design. Customers are responsible for their products and applications using TI components. To minimize the risks associated with customer products and applications, customers should provide adequate design and operating safeguards.

TI does not warrant or represent that any license, either express or implied, is granted under any TI patent right, copyright, mask work right, or other TI intellectual property right relating to any combination, machine, or process in which TI products or services are used. Information published by TI regarding third-party products or services does not constitute a license from TI to use such products or services or a warranty or endorsement thereof. Use of such information may require a license from a third party under the patents or other intellectual property of the third party, or a license from TI under the patents or other intellectual property of TI.

Reproduction of information in TI data books or data sheets is permissible only if reproduction is without alteration and is accompanied by all associated warranties, conditions, limitations, and notices. Reproduction of this information with alteration is an unfair and deceptive business practice. TI is not responsible or liable for such altered documentation.

Resale of TI products or services with statements different from or beyond the parameters stated by TI for that product or service voids all express and any implied warranties for the associated TI product or service and is an unfair and deceptive business practice. TI is not responsible or liable for any such statements.

Following are URLs where you can obtain information on other Texas Instruments products and application solutions:

| Products | | Applications | |
|------------------|--|---------------------|--|
| Amplifiers | amplifier.ti.com | Audio | www.ti.com/audio |
| Data Converters | dataconverter.ti.com | Automotive | www.ti.com/automotive |
| DSP | dsp.ti.com | Broadband | www.ti.com/broadband |
| Interface | interface.ti.com | Digital Control | www.ti.com/digitalcontrol |
| Logic | logic.ti.com | Military | www.ti.com/military |
| Power Mgmt | power.ti.com | Optical Networking | www.ti.com/opticalnetwork |
| Microcontrollers | microcontroller.ti.com | Security | www.ti.com/security |
| | | Telephony | www.ti.com/telephony |
| | | Video & Imaging | www.ti.com/video |
| | | Wireless | www.ti.com/wireless |

Mailing Address: Texas Instruments
Post Office Box 655303 Dallas, Texas 75265