

# BIPOLAR ANALOG INTEGRATED CIRCUIT

# $\mu$ PC1032H

## DUAL LOW NOISE PREAMPLIFIER

## SILICON BIPOLAR MONOLITHIC INTEGRATED CIRCUIT

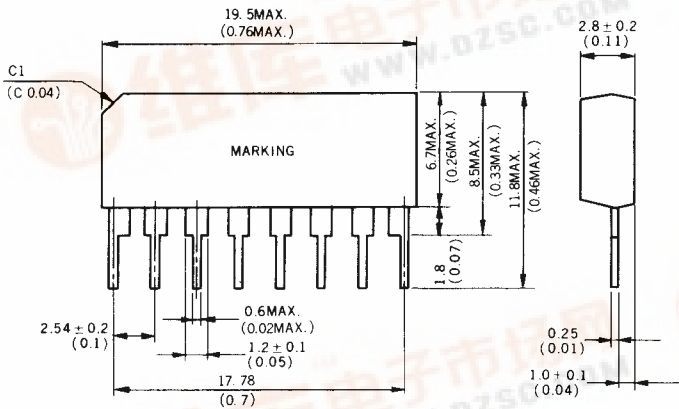
030553

### DESCRIPTION

The  $\mu$ PC1032H is a silicon monolithic integrated circuit designed for use as a 2 channel preamplifier for a car stereo set. The device has features of low noise, high gain, high output voltage and wide supply voltage range. Especially, as an advanced production process is used, the device has an excellent feature of very low pulsvic noise. An internal voltage regulator circuit permits the  $\mu$ PC1032H to operate satisfactorily over wide variation of supply voltage.

### PACKAGE DIMENSIONS

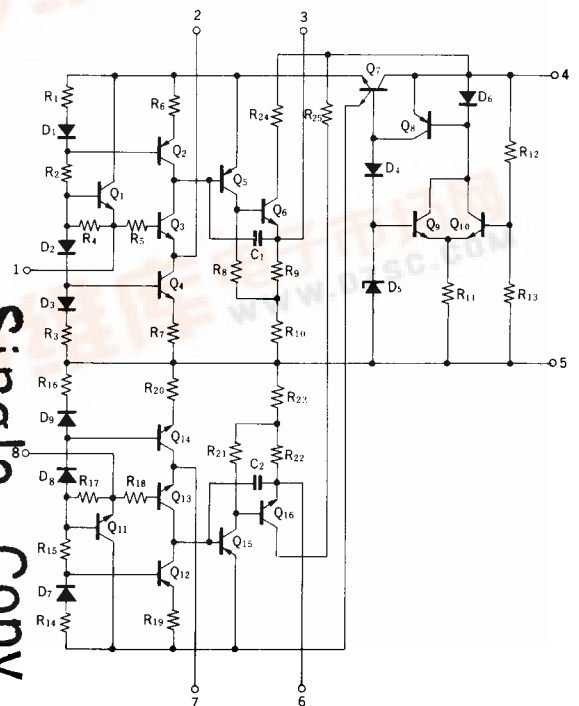
in millimeters (inches)



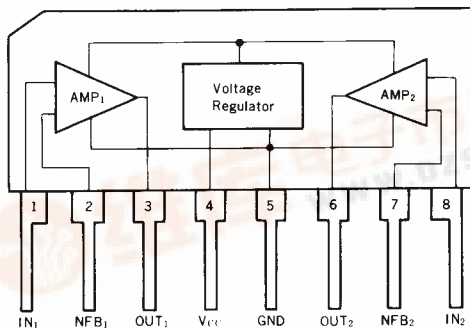
### FEATURES

- Two channel
- Wide supply voltage range
- Minimum number of external parts required
- Low noise, especially low pulsvic noise
- SIP assures easy mounting on printed circuit board.

### EQUIVALENT CIRCUIT



### CONNECTION DIAGRAM



4.3  
Handle With Care

Single Copy



LS  
RES  
003545  
ORIG  
NEC

### ABSOLUTE MAXIMUM RATINGS (T<sub>a</sub> = 25°C)

Supply Voltage	V <sub>CC</sub>	18	V
Package Dissipation	P <sub>D</sub>	270*	mW
Operating Temperature	T <sub>opt</sub>	-20 to +75	°C
Storage Temperature	T <sub>stg</sub>	-40 to +125	°C

\*T<sub>a</sub> = 75°C

### RECOMMENDED CONDITIONS (T<sub>a</sub> = 25°C)

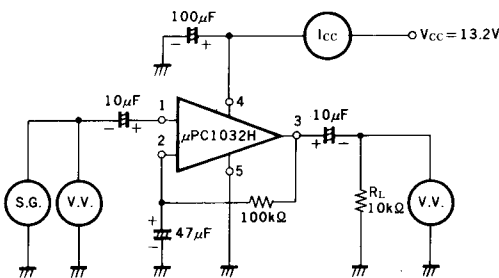
Operating Supply Voltage	V <sub>CC</sub>	13.2	V
Supply Voltage Range	V <sub>CC</sub>	8 to 17	V
Operating Ambient Temperature		-20 to +75	°C
Load impedance		10 kΩ TYP.	

### ELECTRICAL CHARACTERISTICS (T<sub>a</sub> = 25°C, V<sub>CC</sub> = 13.2V, f = 1 kHz, R<sub>L</sub> = 10 kΩ)

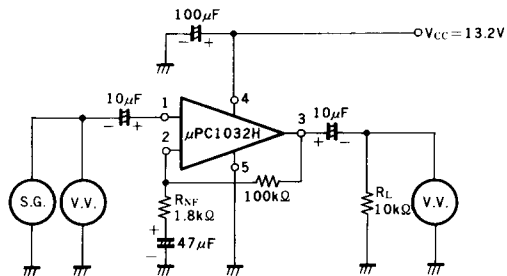
CHARACTERISTIC	SYMBOL	MIN.	TYP.	MAX.	UNIT	TEST CIRCUIT	TEST CONDITIONS
Circuit Current	I <sub>CC</sub>		7	11.0	mA	①	v <sub>in</sub> = 0
Open Loop Voltage Gain	A <sub>VO</sub>	70	81		dB	①	v <sub>O</sub> = 0.3V
Voltage Gain	A <sub>v</sub>	33.5	35	35.5	dB	②	v <sub>O</sub> = 0.3V, R <sub>NF</sub> = 1.8 kΩ
Maximum Output Voltage	V <sub>OM</sub>	1.1	1.7		V	③	T.H.D. = 1%, NAB ≅ 35 dB
Total Harmonic Distortion	T.H.D.		0.1	0.3	%	③	v <sub>O</sub> = 0.3V, NAB ≅ 35 dB
Input Impedance	r <sub>i</sub>	50	100		kΩ	③	
Equivalent Input Noise Voltage	v <sub>nin</sub>		1.4	2.0	μVr.m.s.	④	R <sub>G</sub> = 2.2kΩ, NAB ≅ 35dB
Cross Talk			-62		dB	⑤	v <sub>O</sub> = 1V, (The other channel v <sub>in</sub> = 0, R <sub>G</sub> = 2.2kΩ)
Channel Balance		-0.3	0	+0.3	dB	⑤	v <sub>O</sub> = 0.3V

### TEST CIRCUITS

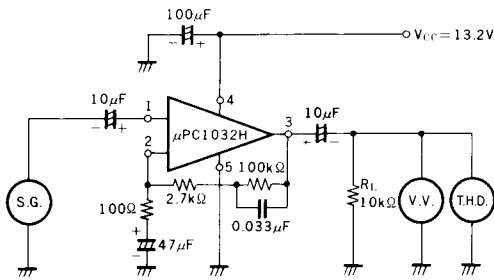
① I<sub>CC</sub>, A<sub>VO</sub> Test Circuit



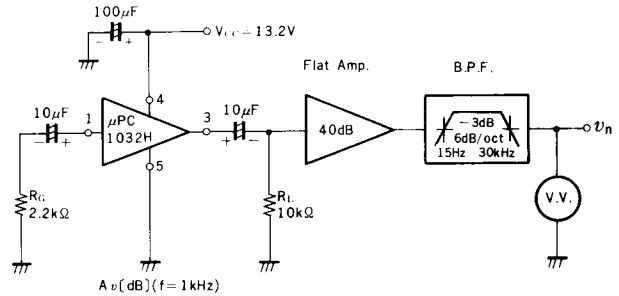
② A<sub>v</sub> Test Circuit (for Ch. 1)



③ **VOM, T.H.D.,  $r_i$  Test Circuit**  
(for Ch. 1)

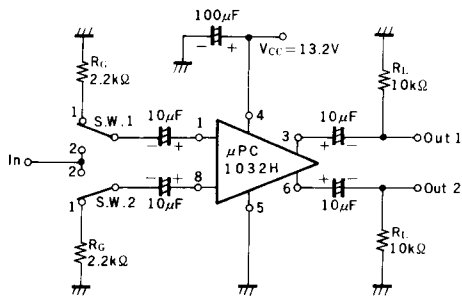


④  **$v_{nin}$  Test Circuit**  
(for Ch. 1)



$v_{nin}$  is calculated by  $v_n$  and amp. gain ( $A_v +40$  dB).  
External components of the IC are the same as the Test Circuit ③

⑤ **Cross Talk, Channel Balance Test Circuit**



External Components of the IC are the same as the Test Circuit ③

Cross talk Test Procedure

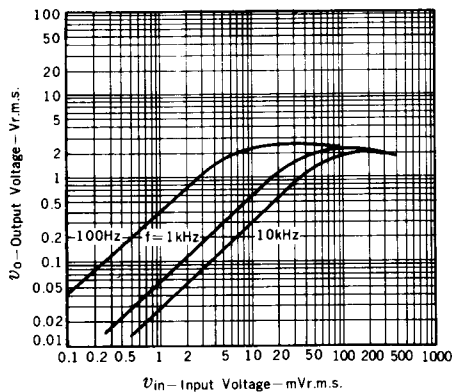
- 20 log  $Out_2/Out_1$
- Switch Position  $SW_1 \rightarrow 2, SW_2 \rightarrow 1$
- 20 log  $Out_1/Out_2$
- Switch Position  $SW_1 \rightarrow 1, SW_2 \rightarrow 2$

Channel Balance Test Procedure

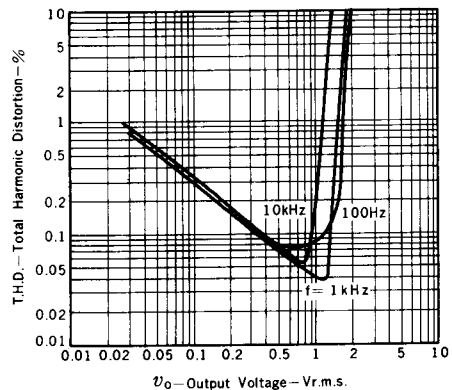
- 20 log  $Out_1/Out_2$
- Switch Position  $SW_1 \rightarrow 2, SW_2 \rightarrow 2$

**TYPICAL CHARACTERISTICS ( $T_a = 25^\circ C$ )**

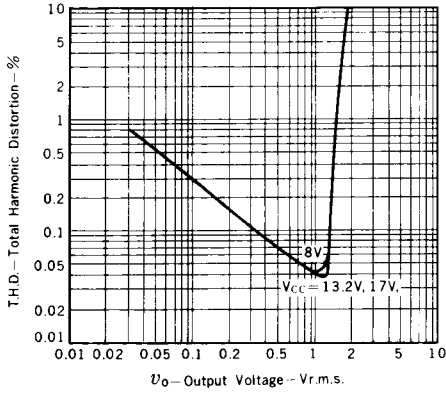
**OUTPUT VOLTAGE vs. INPUT VOLTAGE**  
(Test Circuit ③)



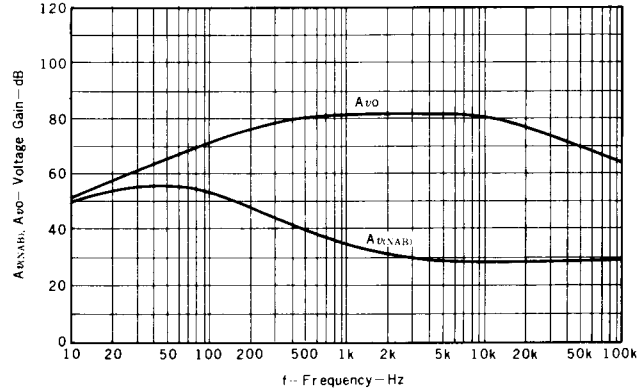
**TOTAL HARMONIC DISTORTION vs. OUTPUT VOLTAGE**  
(Test Circuit ③)



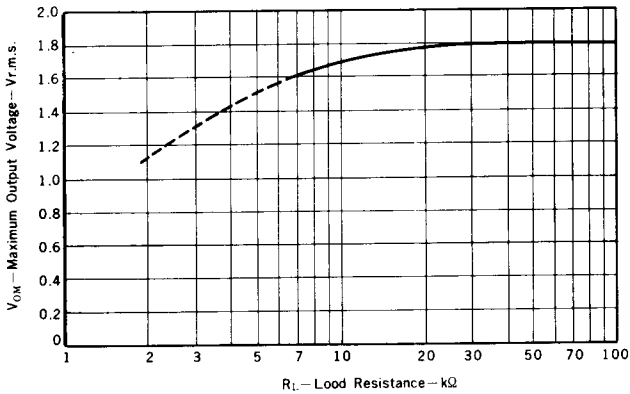
**TOTAL HARMONIC DISTORTION vs. OUTPUT VOLTAGE**  
(Test Circuit 3)



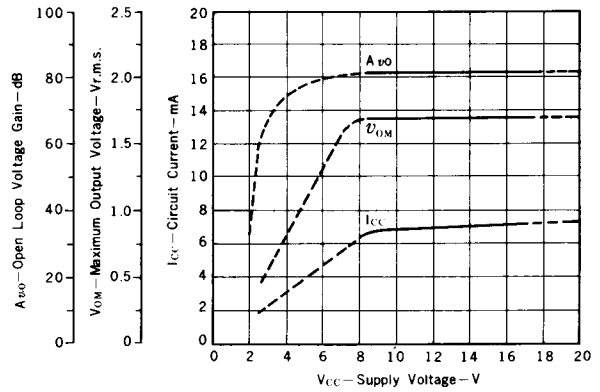
**VOLTAGE GAIN vs. FREQUENCY**  
(Test Circuit 1, 3)



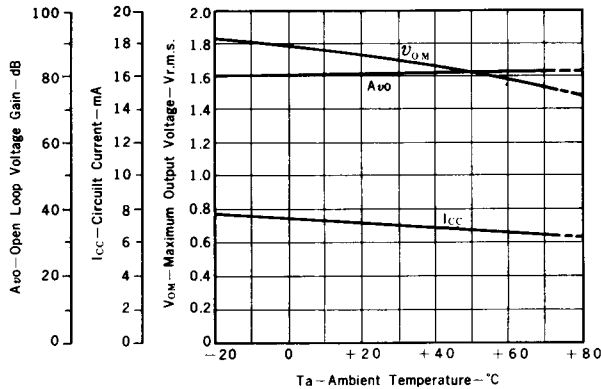
**MAXIMUM OUTPUT VOLTAGE vs. LOAD RESISTANCE**  
(Test Circuit 3)



**CIRCUIT CURRENT, MAXIMUM OUTPUT VOLTAGE, OPEN LOOP VOLTAGE GAIN vs. SUPPLY VOLTAGE**  
(Test Circuit 1, 3)

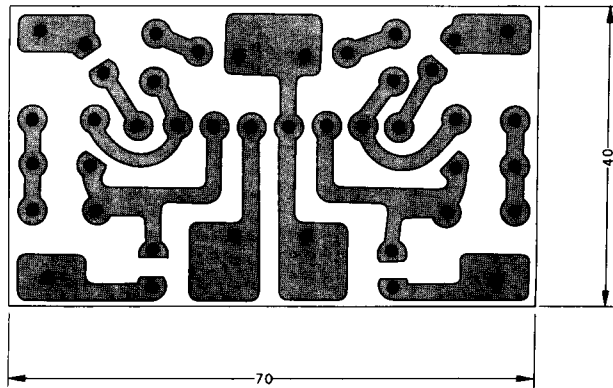


**CIRCUIT CURRENT, MAXIMUM OUTPUT VOLTAGE, OPEN LOOP VOLTAGE GAIN AMBIENT TEMPERATURE**  
(Test Circuit 1, 3)



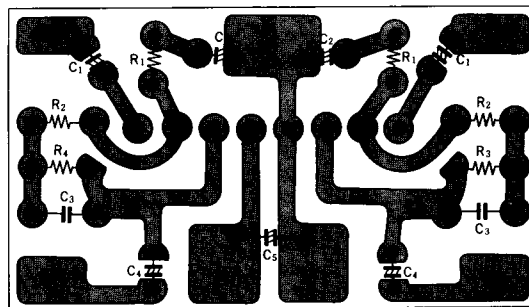
# TYPICAL PRINTED CIRCUIT BOARD PATTERN

Bottom View (Unit : millimeters)



## Components Layout

Foil Side



Components Side

