



# UNISONIC TECHNOLOGIES CO., LTD

## UPS601

### LINEAR INTEGRATED CIRCUIT

## HIGH PERFORMANCE CURRENT MODE POWER SWITCH

### DESCRIPTION

The UTC UPS601 is designed to provide several special enhancements to satisfy the needs: Power-Saving mode for low standby power, Over Current Protection (OCP), Over Voltage Protection (OVP), Over Load Protection (OLP), UVLO, Over Temperature Protection (OTP) etc protection features. IC will be shutdown when either protection arise and can auto-restart.

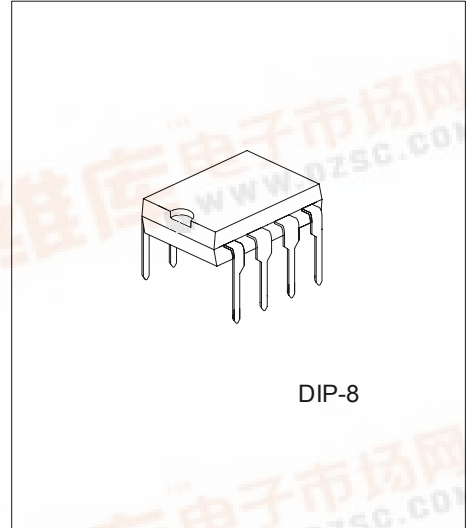
### FEATURES

- \* Low startup current 20uA typ
- \* Fixed switching frequency(Norm is 70kHz)
- \* Max duty cycle 70%
- \* Power-saving mode for low power
- \* Over temperature protection
- \* Overload protection
- \* Over voltage protection
- \* Leading edge blanking
- \* Soft start

### ORDERING INFORMATION

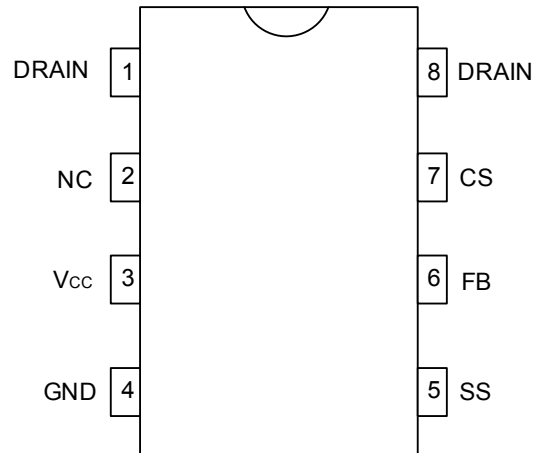
Order Number		Package	Packing
Normal	Lead Free Plating		
UPS601-D08-T	UPS601L-D08-T	DIP-8	Tube

<p>UPS601L-D08-T</p> <p>(1)Packing Type (2)Package Type (3)Lead Plating</p>	<p>(1) T: Tube (2) D08: DIP-8 (3) L: Lead Free Plating, Blank: Pb/Sn</p>
---	--



\*Pb-free plating product number: UPS601L

### ■ PIN CONFIGURATION



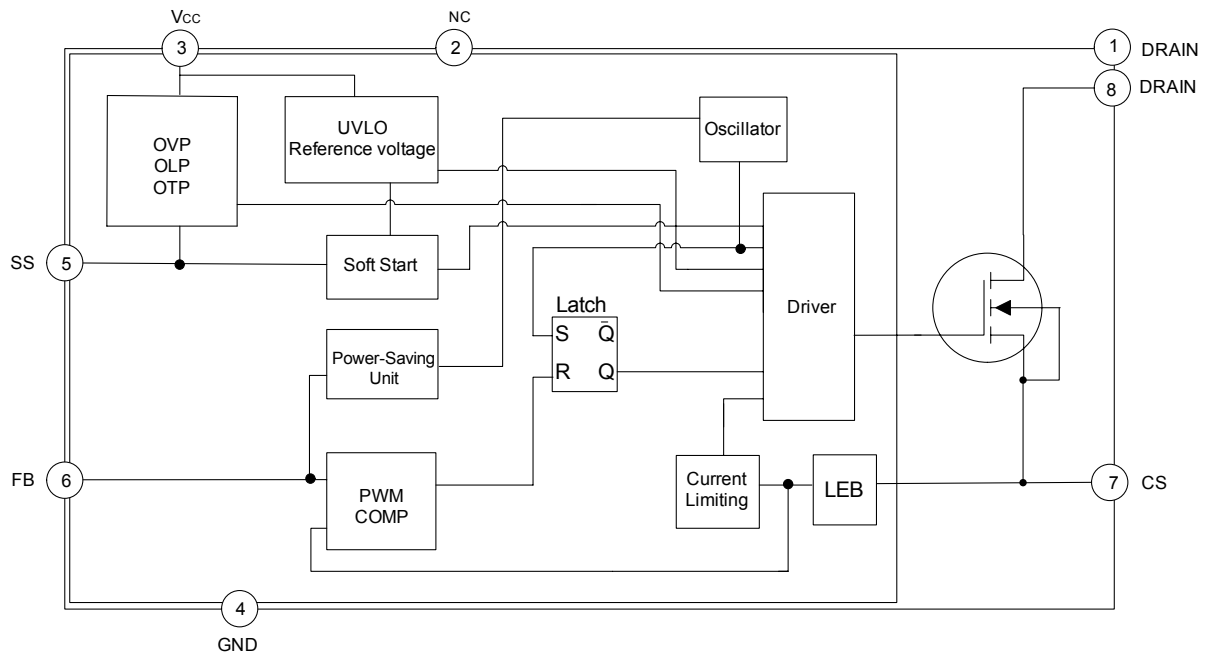
### ■ PIN DESCRIPTION

PIN	SYMBOL	FUNCTION
1	DRAIN	Power MOSFET drain
2	NC	
3	V <sub>CC</sub>	Supply voltage
4	GND	Ground
5	SS	Soft-start
6	FB	Feedback
7	CS	Controller current sense input
8	DRAIN	Power MOSFET drain

# UPS601

## LINEAR INTEGRATED CIRCUIT

### ■ BLOCK DIAGRAM



Explain: OLP (Over Load Protection)  
OVP (Over Voltage Protection)  
OTP (Over Temperature Protection)  
UVLO (Under Voltage Latch-Out)  
LEB (Led Edge Blanking)  
SS (Soft Start)

■ ABSOLUTE MAXIMUM RATINGS (Ta = 25°C, V<sub>CC</sub>=15V, R<sub>T</sub>=75kΩ, unless otherwise specified)

PARAMETER	SYMBOL	RATINGS	UNIT
Supply Voltage	V <sub>CC</sub>	26	V
Input Voltage to FB Pin	V <sub>FB</sub>	-0.3 ~ 6.2	V
Input Voltage to CS Pin	V <sub>CS</sub>	-0.3 ~ 2.8	V
Input Voltage to RT Pin	V <sub>RT</sub>	-0.3 ~ 6.2	V
Junction Temperature	T <sub>J</sub>	+150	°C
Operating Temperature	T <sub>OPR</sub>	-40 ~ +125	°C
Storage Temperature	T <sub>STG</sub>	-50 ~ +150	°C

Note Absolute maximum ratings are those values beyond which the device could be permanently damaged.

Absolute maximum ratings are stress ratings only and functional device operation is not implied.

■ OPERATING RANGE

PARAMETER	SYMBOL	RATINGS	UNIT
Supply Voltage	V <sub>CC</sub>	8.6 ~ 22	V

■ ELECTRICAL CHARACTERISTICS (Ta = 25°C, V<sub>CC</sub>=15V, R<sub>T</sub>=75kΩ, unless otherwise specified)

PARAMETER	SYMBOL	TEST CONDITIONS	MIN	TYP	MAX	UNIT	
<b>SUPPLY SECTION</b>							
Start Up Current	I <sub>STR</sub>	V <sub>CC</sub> =13.5		22	45	μA	
Supply Current with switch	OFF	V <sub>SS</sub> = 0, I <sub>FB</sub> = 0		3.7	5.5	mA	
	ON	V <sub>SS</sub> = 5V, I <sub>FB</sub> = 0		4.0	6.0	mA	
<b>UNDER-VOLTAGE LOCKOUT SECTION</b>							
Start Threshold Voltage	V <sub>THD(ON)</sub>		11.8	12.6	13.4	V	
Min. Operating Voltage	V <sub>CC(MIN)</sub>		7.6	8.1	8.6	V	
Hysteresis	V <sub>CC(HY)</sub>			4.5		V	
<b>INTERNAL VOLTAGE REFERENCE</b>							
Reference Voltage	V <sub>REF</sub>	measured at pin V <sub>FB</sub>	6.1	6.3	6.5	V	
<b>CONTROL SECTION</b>							
Switch Frequency	Normal	F <sub>(SW)</sub>	V <sub>FB</sub> = 4V	61	68	75	kHz
	Power-Saving		V <sub>FB</sub> = 1V	18	20	23	kHz
Duty Cycle	MAX	D <sub>MAX</sub>		65	70	75	%
	MIN	D <sub>MIN</sub>	V <sub>FB</sub> < 0.5V	0			%
V <sub>FB</sub> Operating Level	MIN	V <sub>MIN</sub>		0.5			V
	MAX	V <sub>MAX</sub>				4.4	V
Feedback Resistor	R <sub>FB</sub>		2.6	3.8	5.0	kΩ	
Soft-Start Time	T <sub>SS</sub>	C <sub>SS</sub> =0.05μF		6			ms
		C <sub>SS</sub> =0.1μF		12			ms
		C <sub>SS</sub> =1μF		120			ms
<b>PROTECTION SECTION</b>							
OVP threshold	V <sub>(OVP)</sub>	V <sub>SS</sub> < 3.5V, V <sub>FB</sub> > 5V	15.2	16	16.8	V	
OLP threshold	V <sub>FB(OLP)</sub>	V <sub>SS</sub> > 5.4V	4.4	4.6	4.9	V	
OTP threshold	T <sub>(THR)</sub>		120	135	150	°C	
OVP Disable threshold	V <sub>SS(DEACT)</sub>	V <sub>FB</sub> > 5V, V <sub>CC</sub> > 17V	3.7	3.9	4.2	V	
OLP Enable threshold	V <sub>SS(ACT)</sub>	V <sub>FB</sub> > 5V	4.9	5.1	5.4	V	
Spike Blanking time	T <sub>SB</sub>			6.8		μs	
<b>CURRENT LIMITING SECTION</b>							
LEB	t <sub>LEB</sub>			220		ns	
<b>POWER MOS-TRANSISTOR SECTION</b>							
Drain-Source Breakdown Voltage	V <sub>DSS</sub>		600			V	
Static Drain-Source On-State Resistance	R <sub>DS(ON)</sub>				15	Ω	
Output Capacitance	C <sub>O</sub>			56		pF	

### ■ ELECTRICAL CHARACTERISTICS(Cont.)

PARAMETER	SYMBOL	TEST CONDITIONS	MIN	TYP	MAX	UNIT
Rise Time	$t_R$			21		ns
Fall Time	$t_F$			24		ns
Turn-Off Delay Time	$t_{d(OFF)}$			30		ns
Drain-Source Diode Continuous Source Current	$I_S$				1	A

## FUNCTIONAL DESCRIPTION

The internal reference voltages and bias circuit work at  $V_{CC} > 12.6V$ , and shutdown at  $V_{CC} < 8.1V$ .

### (1) Soft-Start

When every IC power on, driver output duty cycle will be decided by voltage  $V_{SS}$  on soft-start capacitor and  $V_{CS}$  on current sense resistor at beginning. After  $V_{SS}$  reach 5.1V, the whole soft-start phase end, and driver duty cycle depend on  $V_{FB}$  and  $V_{CS}$ . The relation among  $V_{SS}$ ,  $V_{FB}$  and  $V_{OUT}$  as followed FIG.3, here soft-start phase  $T_{soft-start}$  should more than  $V_{OUT}$  start-up phase  $T_{start-up}$ , otherwise, IC will enter false OLP protection state. Because after the soft-start phase end, if  $V_{OUT}$  remain in lower voltage,  $V_{FB}$  more than 4.6V, then IC enter false OLP state.

Furthermore, soft-start phase should end before  $V_{CC}$  reach  $V_{CC(MIN)}$  during  $V_{CC}$  power on. Otherwise, if soft-start phase remain not end before  $V_{CC}$  reach  $V_{CC(MIN)}$  during  $V_{CC}$  power on, IC will enter auto-restart phase and not set up  $V_{OUT}$ .

Finally soft-start also set OVP active phase. OVP active phase between  $V_{SS}=0$  and  $V_{SS}=3.8V$ , OVP will not be sensed after  $V_{SS}$  reach 3.8V. The Soft-start phase  $T_{SS}$  :

$$T_{SS} = \begin{cases} 6 \text{ ms} & (C_{SS}=0.05\mu F) \\ 12 \text{ ms} & (C_{SS}=0.1\mu F) \\ 120 \text{ ms} & (C_{SS}=1\mu F) \end{cases}$$

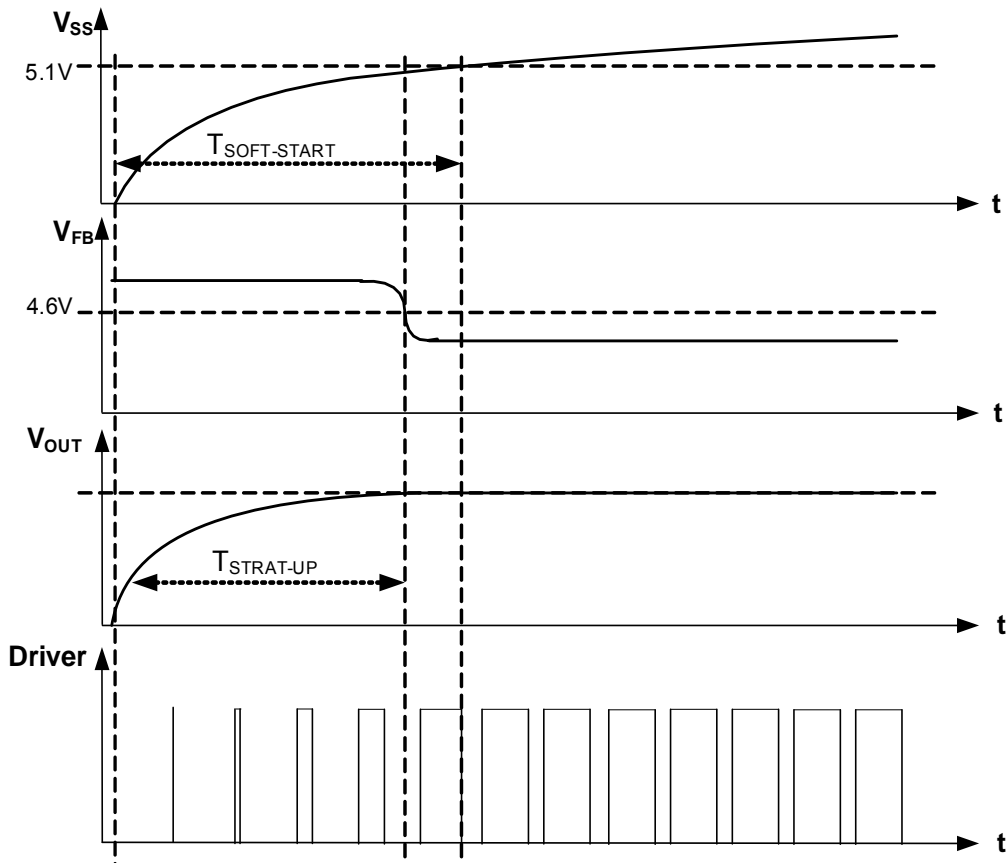


FIG.3 Soft-start phase

■ FUNCTIONAL DESCRIPTION(Cont.)

(2) Switch Frequency Set

The maximum switch frequency decided by an external resistor  $R_T$  connected between pin  $R_T$  and ground. Then the maximum switch frequency will depend on user requirement. The relation curve between  $f_{SW}$  and  $R_T$  as followed FIG.5 under the condition of  $P_{OUT}/P_{OUTmax}=50\%$ . The equation between  $f_{SW}$  and  $R_T$  as followed (1-2):

$$f_{SW} = -0.61 \cdot R_T + 115.7 \text{-----(1-2)}$$

After  $R_T$  connected, switch frequency is also modulated by output power  $P_{OUT}$  during IC operating. So lower switch frequency at lower load, which more and more improve IC's efficiency at light load. Switch frequency is decreased minimum at no load, then the UPS601 will operate at Power-Saving mode for Lower standby power. The relation curve between  $f_{SW}$  and  $P_{OUT}/P_{OUTmax}$  as followed FIG.4 under the condition of  $R_T=75k\Omega$ .

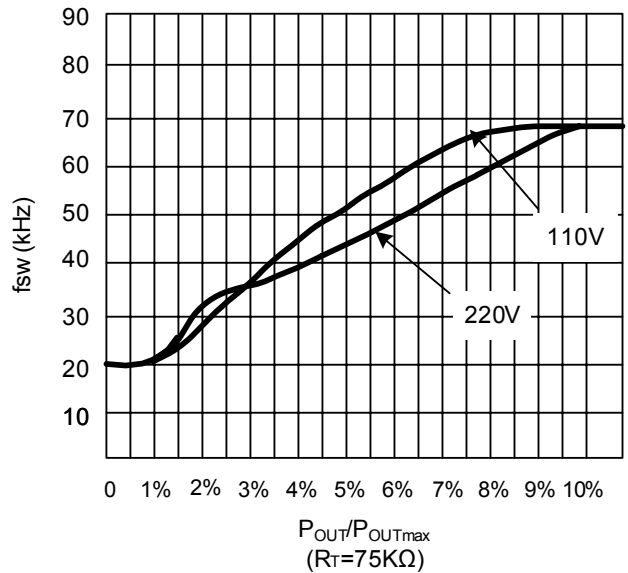


FIG.4 The relation curve between  $f_{SW}$  and output power  $P_{OUT}$

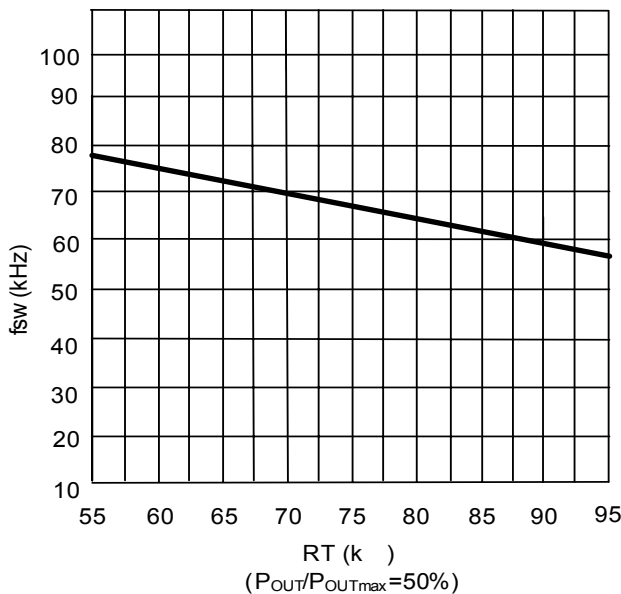


FIG.5 The relation curve between  $f_{SW}$  and  $R_T$

## FUNCTIONAL DESCRIPTION(Cont.)

### (3) Protection section

UPS601 takes on more protection functions such as OLP, OVP and OTP etc. In case of those failure modes for continual 7.2μs (blanking time), the driver is shut down. At the same time, IC enters auto-restart, V<sub>CC</sub> power on and driver is reset after V<sub>CC</sub> power on again.

#### OLP

After soft-start phase end (V<sub>SS</sub>>5.1V), IC will shutdown driver if over load state occurs (corresponding to V<sub>FB</sub>>4.6V) for continual 7.2μs. OLP function will not inactive during soft-start phase. OLP case as followed FIG.6. The test circuit as followed FIG.8 for UPS601.

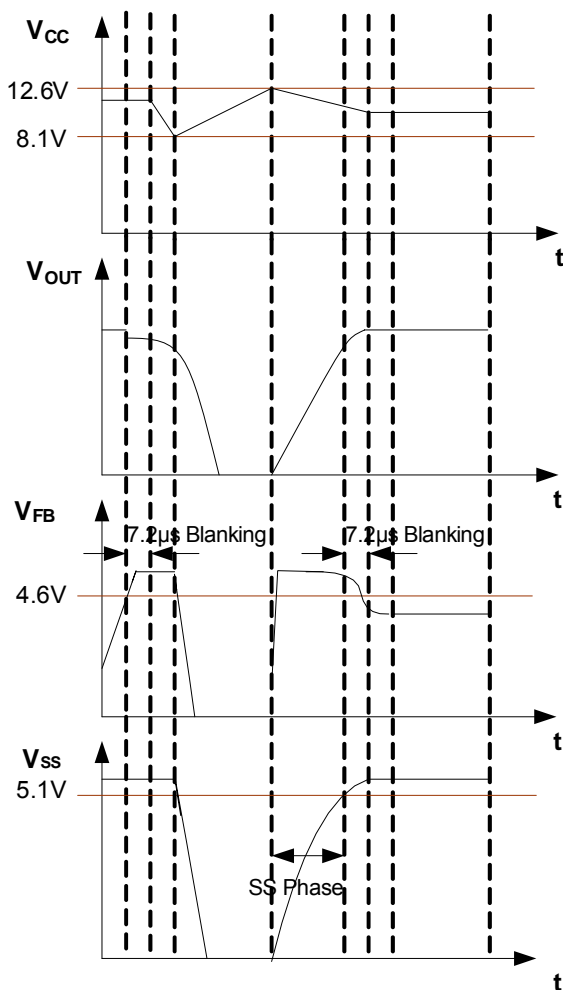


FIG.6 OLP case

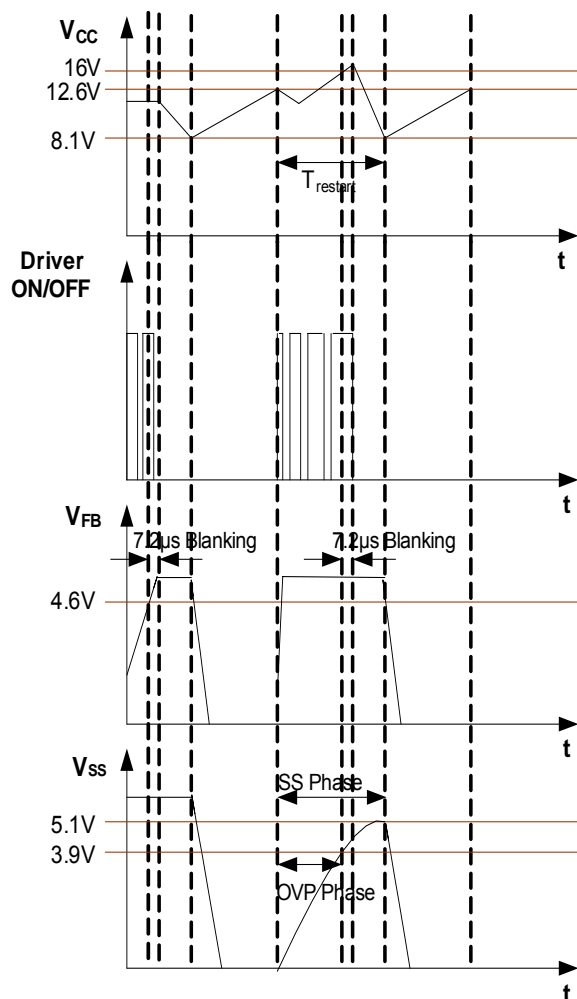


FIG.7 OVP case

#### OVP

Power supply V<sub>CC</sub>'s OVP function are enabled only when V<sub>SS</sub><3.9 & V<sub>FB</sub>>4.6V during soft-start phase. During above condition, driver will be shutdown if over voltage state occurs (V<sub>CC</sub>>16v) for continual 7.2μs. OVP function will not inactive after soft-start phase. OLP case as followed FIG.7. The test circuit as followed FIG.9 for UPS601.

#### OTP

OTP will shut down driver when junction temperature T<sub>J</sub> of internal circuits is more than threshold 135°C for continual 7.2μs.



### ■ FUNCTIONAL DESCRIPTION(Cont.)

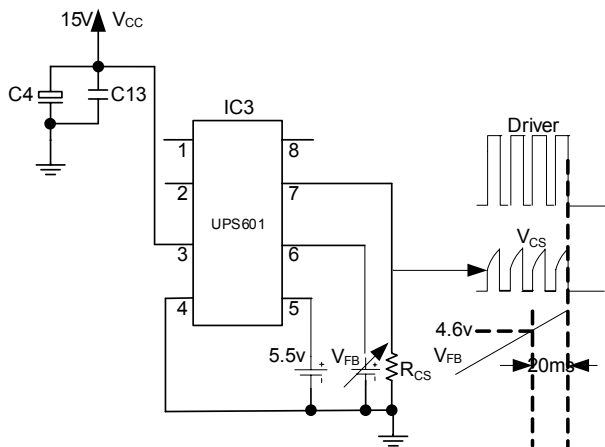


FIG.8 OLP test circuit

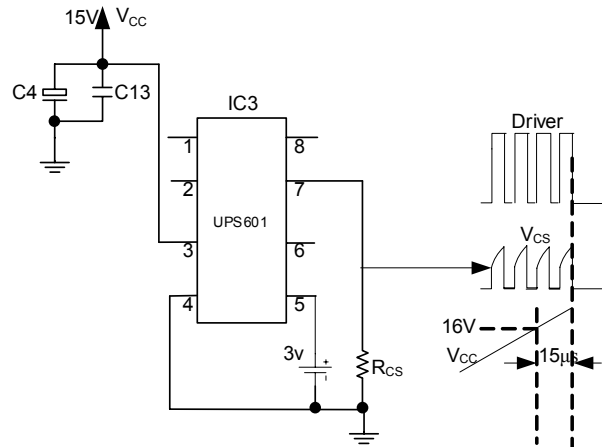


FIG.9 OVP test circuit

#### (4) Driver Output Section

Rise edge time of driver output is about 200ns for avoiding Low EMI.

#### (6) Inside power switch MOS transistor

For UPS601, it's inside power MOS transistor may load source current 1A. Specific power MOS transistor parameter is as "POWER MOS TRANSISTOR SECTION" in electrical characteristics table.



## ■ TYPICAL CHARACTERISTICS

Fig 1. Feedback Voltage During Loadjump From 10% Up To 100% Load ( $V_{DCIN}=120V$ )

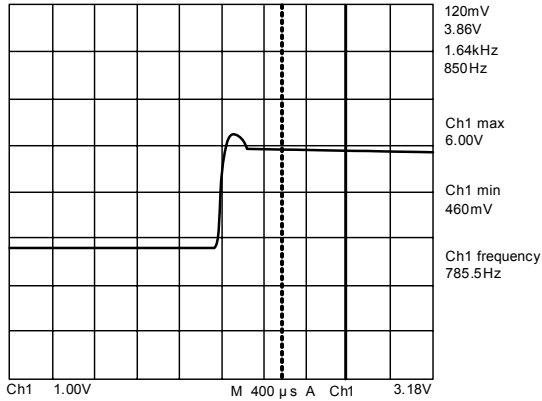


Fig 2. Feedback Voltage During Loadjump From 10% Up To 100% Load ( $V_{DCIN}=350V$ )

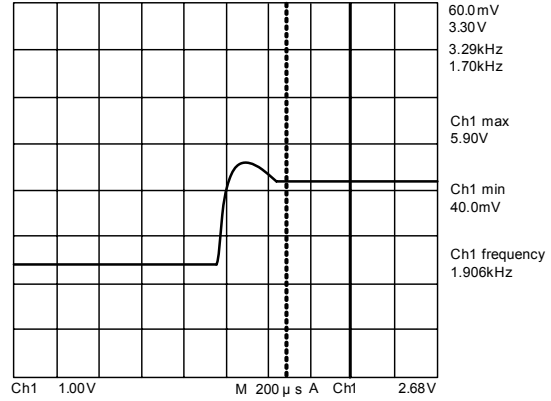


Fig 3. Startup With Full Load Condition At  $V_{DCIN}=120V$ ,  $V_{C4}$  and  $V_{out}$

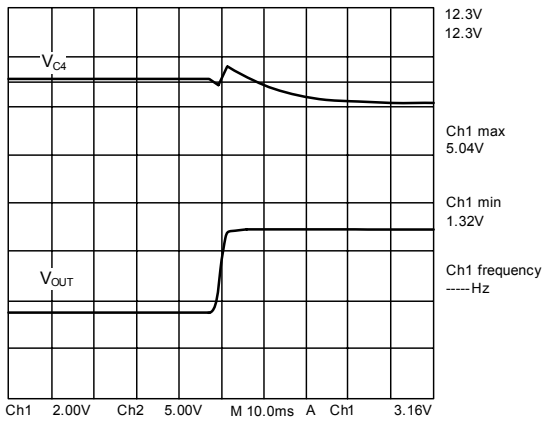


Fig 4. Startup With Full Load Condition At  $V_{DCIN}=350V$ ,  $V_{C4}$  and  $V_{out}$

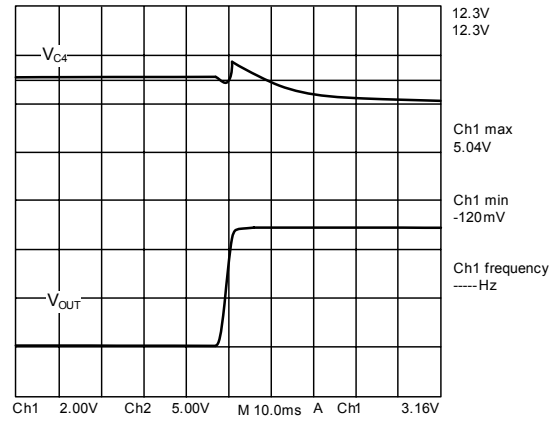


Fig 5. Startup Behavior At Nominal Load Condition  $V_{DCIN}=120V$

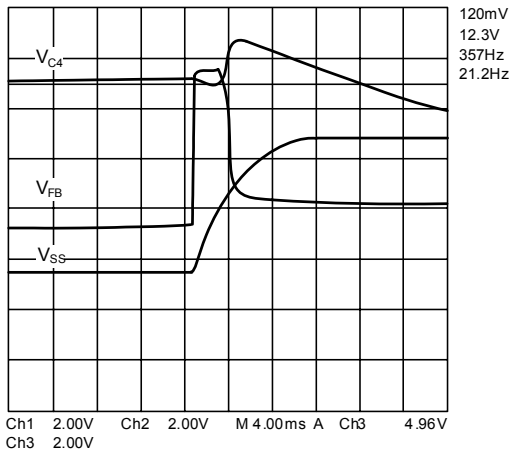
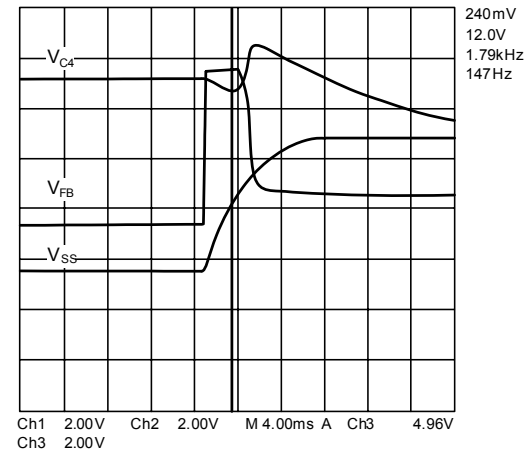


Fig 6. Startup Behavior At Nominal Load Condition  $V_{DCIN}=350V$



■ TYPICAL CHARACTERISTICS(Cont.)

Fig 7. Frequency vs. Output Power

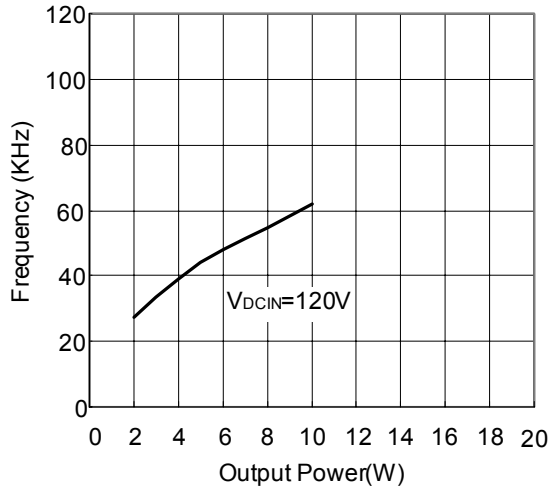
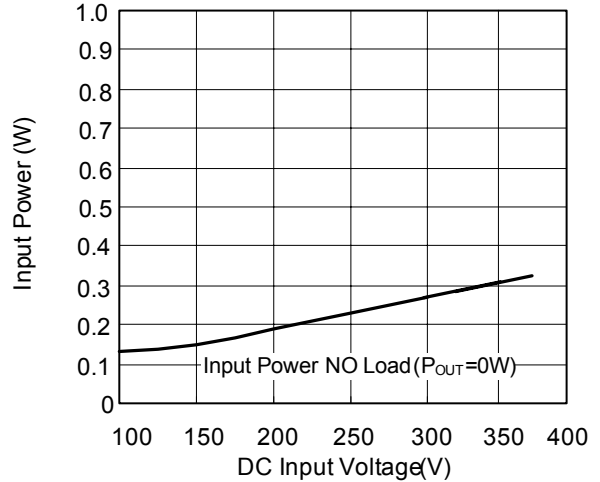


Fig 8. NO Load Input Power vs. Line Voltage (Normal Mode)



UTC assumes no responsibility for equipment failures that result from using products at values that exceed, even momentarily, rated values (such as maximum ratings, operating condition ranges, or other parameters) listed in products specifications of any and all UTC products described or contained herein. UTC products are not designed for use in life support appliances, devices or systems where malfunction of these products can be reasonably expected to result in personal injury. Reproduction in whole or in part is prohibited without the prior written consent of the copyright owner. The information presented in this document does not form part of any quotation or contract, is believed to be accurate and reliable and may be changed without notice.