



US72/73

Single Coil Fan Driver

Features and Benefits

- Full Bridge Driver
- High Sensitivity Hall Sensor
- Locked Rotor Shutdown and Auto-Restart
- Power-Efficient CMOS and Power MOSFETs
- Integrated tachometer (US72) or alarm (US73) signal outputs

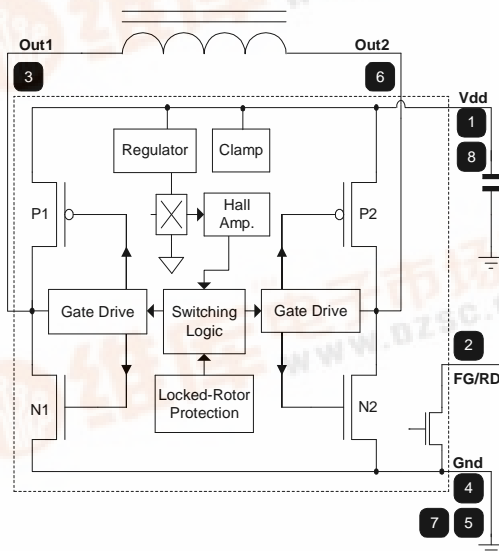
Applications

- For 12V/24V Fans

Ordering Information

Part No.	Temperature Suffix	Package Code
US72	E (-40°C to 85°C)	DC (8-Pin narrow SOIC)
US73	E (-40°C to 85°C)	DC (8-Pin narrow SOIC)

Functional Diagram



Description

The US72 and US73 provide a monolithic solution for driving single-coil fans. The bridge drivers provide bi-directional current through the single phase motor winding.

US72: The tachometer/Frequency Generator (FG) version produces a logic signal, which is aligned with the Hall plate signal.

US73: The Rotation Detector (RD) / Alarm Signal version has a low output in the normal condition. When a locked rotor condition occurs the RD changes to a high state.



TABLE OF CONTENTS

FEATURES AND BENEFITS	1
APPLICATIONS	1
ORDERING INFORMATION	1
FUNCTIONAL DIAGRAM.....	1-1
1. GLOSSARY OF TERMS.....	3
2. ABSOLUTE MAXIMUM RATINGS.....	3
3. US72/73 ELECTRICAL SPECIFICATIONS	3
4. US72/73 MAGNETIC SPECIFICATIONS.....	4
5. GENERAL DESCRIPTION	4
6. UNIQUE FEATURES	4
7. PERFORMANCE GRAPHS.....	5
8. APPLICATIONS INFORMATION	6
9. APPLICATION COMMENTS.....	6
10. RELIABILITY INFORMATION.....	7
11. ESD PRECAUTIONS.....	7
12. DC PACKAGE INFORMATION (SOIC-8)	8
13. DISCLAIMER	9

1. Glossary of Terms

Full Bridge: Two output drivers that can both source or sink current. When a load is placed between the drivers, current can flow through the load in both directions.

FG: The Frequency Generator or tachometer signal; provides one pulse for every magnetic pole

RD: The Rotation detection or Lock Alarm signal is high when the rotor is blocked or spinning very slowly.

MilliTesla (mT), Gauss: Units of magnetic flux density; 1 milliTesla = 10 Gauss

Single Coil Fan: a fan with only one coil winding, usually requiring a bipolar or full-bridge driver

Locked rotor: The condition of a fan that has stopped spinning due to mechanical blockage

2. Absolute Maximum Ratings

Supply Voltage, V_{DD} (overvoltage)	28V
Output Voltage, FG or RD	28V
Output Current, I_{OUT}	500mA
Operating Temperature Range, T_A	-40 to 85°C
Junction Temperature, T_j	125°C
Storage Temperature, T_s	-55 to 150°C
ESD Sensitivity (AEC Q100 002)	2KV
Magnetic Flux Density	No limit

Exceeding the absolute maximum ratings may cause permanent damage. Exposure to absolute-maximum-rated conditions for extended periods may affect device reliability.

3. US72/73 Electrical Specifications

DC Operating Parameters $T_A = 25^\circ\text{C}$, $V_{DD} = 12\text{V}$ (unless otherwise specified)

Parameter	Symbol	Test Conditions	Min	Typ	Max	Units
Supply Voltage	V_{DD}	Operating	4.5		28	Volts
Supply Current	I_{DD}	$V_{DD} = 24\text{V}$, No Load		4	6	mA
On Resistance	R_{dson}	Full bridge, $R_{nmos} + R_{pmos}$		3	5.3	Ohms
Bridge Current	I_{load}	Peak			500	mA
Bridge Current	I_{load}	Continuous			350	mA
Thermal Resistance	R_{th}	one-sided PCB, zero LFPM		150		$^\circ\text{C/Watt}$
Locked-Rotor Period	t_{on}			0.25		S
Locked-Rotor period	t_{off}			1.25		S
Freewheel Switching delay	t_{fw}			200		μS
FG/RD Output Leakage	I_{off}	$V_{out} = 24\text{V}$			10	μA
FG/RD On voltage	V_{dson}	$I_{out} = 5\text{mA}$			0.5	Volts

4. US72/73 Magnetic Specifications

DC Operating Parameters $T_A = 25$, $T_A = 25^\circ\text{C}$, $V_{DD} = 12\text{V}$ (unless otherwise specified)

Parameter	Symbol	Test Conditions	Min	Typ	Max	Units
Operate Point	Bop			3.0	6.0	mT
Release Point	Brp		-6.0	-3.0		mT
Hysteresis	Hys			6.0		mT

Note:

1 mT = 10 Gauss

5. General Description

The US72 / US73 provide a one-chip solution for 2-wire or 3-wire fans with a single coil winding. The chip contains the Hall-effect sensor, dynamic offset correction, and power drivers in a single package. The output drivers and supply pins are fully protected against switching transients. The FG or RD open-drain signal outputs are compatible with any TTL or CMOS logic input.

6. Unique Features

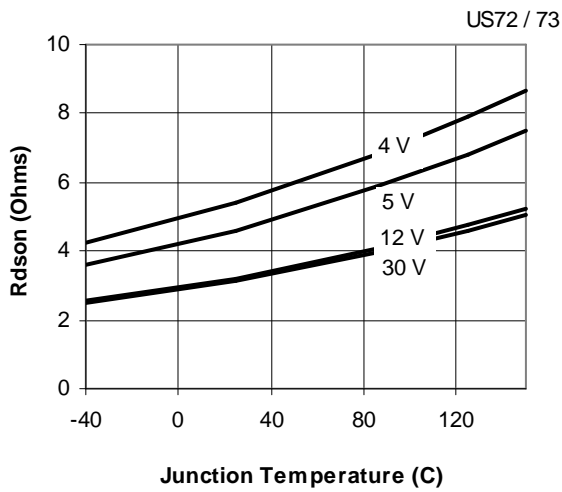
The switching of the load current is controlled to limit current slew-rate, and eliminate shoot-through currents. The 200uS (typical) recirculation allows the current to decay, reducing the switching noise.

The built-in locked-rotor protection will automatically shut off the coil current when the rotor is mechanically blocked, or the rotational speed drops below 60 RPM. The fan will try to restart every 1.5 seconds until the obstruction is clear. The On / Off cycling reduces the average stall current to 1/6 normal; this is enough to prevent overheating or damage to most fans.

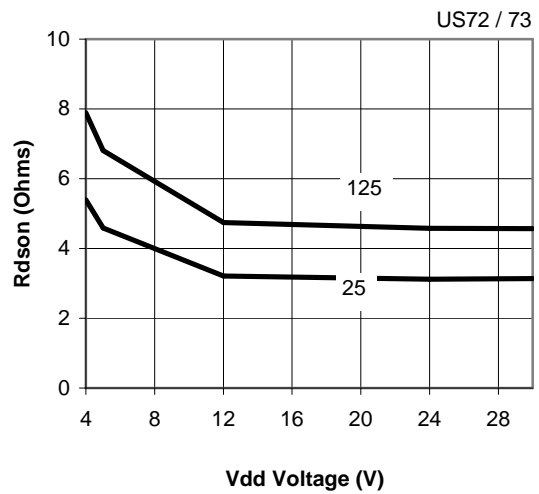
A common two-coil fan with unipolar drivers only uses half of the coil windings at any time. The one-coil design with full-bridge drivers uses all the windings all the time to generate torque. This generally allows for a smaller, more efficient stator design.

7. Performance Graphs

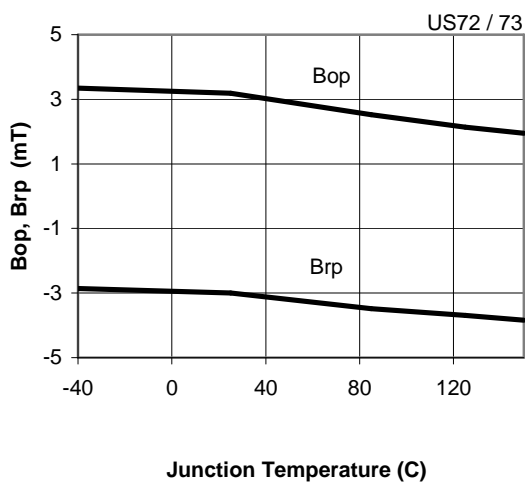
**Rdson (NMOS + PMOS)
vs.
Vdd, Temperature**



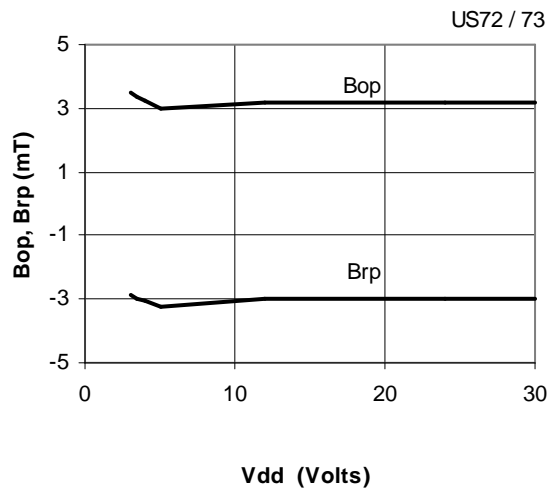
**Rdson (NMOS + PMOS)
vs.
Vdd, Temperature**



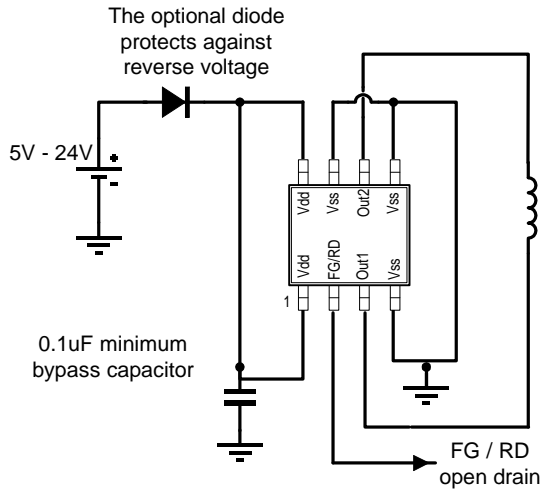
**Bop, Brp
vs.
Temperature**



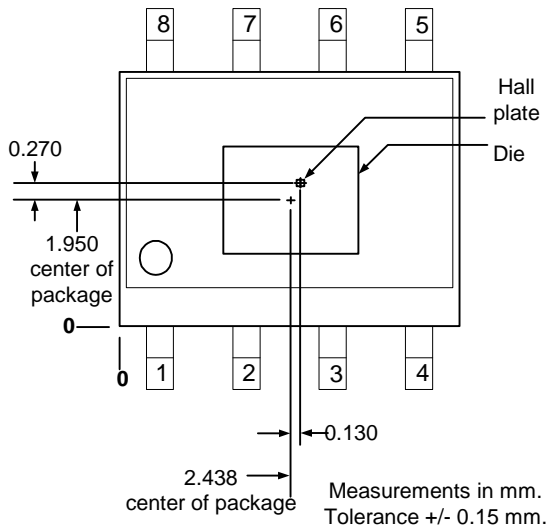
**Bop, Brp
vs.
Vdd Voltage**



8. Applications Information



Hall Sensor Location



9. Application Comments

It is advisable to use a Vdd – ground bypass capacitor of at least 0.1uF, located close to the device. Ceramic / monolithic types are preferable. This capacitor is necessary to maintain a stable power supply during the switching transients – especially if there is a series diode in the circuit.

10. Reliability Information

This Melexis device is classified and qualified regarding soldering technology, solderability and moisture sensitivity level, as defined in this specification, according to following test methods:

- IPC/JEDEC J-STD-020
Moisture/Reflow Sensitivity Classification For Nonhermetic Solid State Surface Mount Devices (classification reflow profiles according to table 5-2)
- EIA/JEDEC JESD22-A113
Preconditioning of Nonhermetic Surface Mount Devices Prior to Reliability Testing (reflow profiles according to table 2)
- CECC00802
Standard Method For The Specification of Surface Mounting Components (SMDs) of Assessed Quality
- EIA/JEDEC JESD22-B106
Resistance to soldering temperature for through-hole mounted devices
- EN60749-15
Resistance to soldering temperature for through-hole mounted devices
- MIL 883 Method 2003 / EIA/JEDEC JESD22-B102
Solderability

For all soldering technologies deviating from above mentioned standard conditions (regarding peak temperature, temperature gradient, temperature profile etc) additional classification and qualification tests have to be agreed upon with Melexis.

The application of Wave Soldering for SMD's is allowed only after consulting Melexis regarding assurance of adhesive strength between device and board.

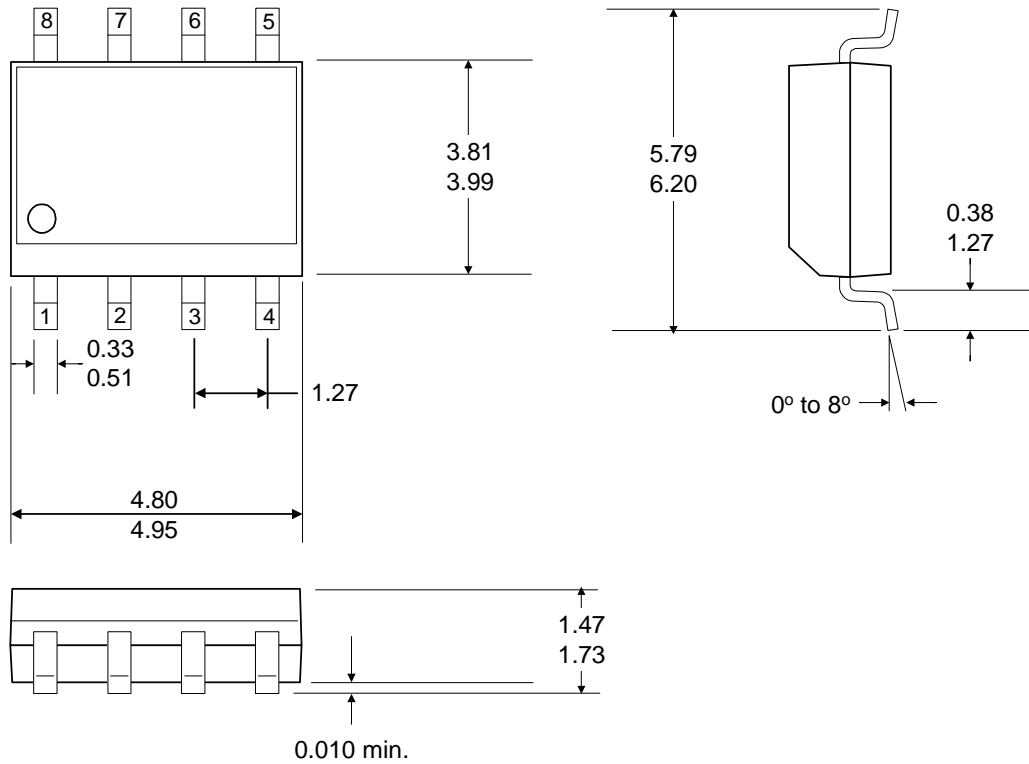
Based on Melexis commitment to environmental responsibility, European legislation (Directive on the Restriction of the Use of Certain Hazardous substances, RoHS) and customer requests, Melexis has installed a Roadmap to qualify their package families for lead free processes also. Various lead free generic qualifications are running, current results on request.

For more information on manufacturability/solderability see quality page at our website:
<http://www.melexis.com/html/pdf/MLXleadfree-statement.pdf>

11. ESD Precautions

Electronic semiconductor products are sensitive to Electro Static Discharge (ESD). Always observe Electro Static Discharge control procedures whenever handling semiconductor products.

12. DC Package Information (SOIC-8)



Notes:

1. Measurements in millimeters.
2. Body dimensions do not include mold flash, protrusions, or burrs - not to exceed 0.15mm .
3. Lead frame material: copper 194.
4. Tolerances: +/- 0.25 mm unless otherwise indicated.

13. Disclaimer

Devices sold by Melexis are covered by the warranty and patent indemnification provisions appearing in its Term of Sale. Melexis makes no warranty, express, statutory, implied, or by description regarding the information set forth herein or regarding the freedom of the described devices from patent infringement. Melexis reserves the right to change specifications and prices at any time and without notice. Therefore, prior to designing this product into a system, it is necessary to check with Melexis for current information. This product is intended for use in normal commercial applications. Applications requiring extended temperature range, unusual environmental requirements, or high reliability applications, such as military, medical life-support or life-sustaining equipment are specifically not recommended without additional processing by Melexis for each application.

The information furnished by Melexis is believed to be correct and accurate. However, Melexis shall not be liable to recipient or any third party for any damages, including but not limited to personal injury, property damage, loss of profits, loss of use, interrupt of business or indirect, special incidental or consequential damages, of any kind, in connection with or arising out of the furnishing, performance or use of the technical data herein. No obligation or liability to recipient or any third party shall arise or flow out of Melexis' rendering of technical or other services.

© 2002 Melexis NV. All rights reserved.

For the latest version of this document, go to our website at:

www.melexis.com

Or for additional information contact Melexis Direct:

Europe and Japan:

Phone: +32 13 67 04 95
E-mail: sales_europe@melexis.com

All other locations:

Phone: +1 603 223 2362
E-mail: sales_usa@melexis.com