

TEMIC

U 6050 B · U 6051 B U 6052 B

LOCAL MULTIPLEX SYSTEM

Technology: Bipolar

Application:

Transmitter (U6050B) and receiver (U 6051B, U 6052 B) for permanent scanning of 8 switch-positions, serial data transmission via a single data line and driving up to 8 relays.

Elektronik-Service

Bodelschwinghstr. 32
D-75031 Eppingen
Tel.: 072 62/9 12 36-0
Fax: 072 62/32 13

Features:

- Only a single line is necessary
- Quadruple comparison of the data signal for high transmission safety
- All outputs switched off if data line is disturbed
- Short circuit detection of the integrated relay driver
- Transmitter and receiver prepared for master/slave operation (16 switches, 16 relays)
- Reduced power dissipation by pulsed driver outputs
- Transmitter data output short circuit protected
- Transmitter can be powered via data line
- Wide supply voltage range
- U 6050B: 8 relay drivers, U 6051 B: 4 relay drivers and 4 logic outputs
- Meet the demands of VDE regulation 0839
- Load dump protected

UPDATE 7/95

- 1.) **U6052B:** In order to ensure proper operation the receiver's maximum oscillator frequency must be limited.

Oscillator input OSC (see page 18)

| | Min. | Typ. | Max. |
|---------------------|---------|----------|--------|
| Frequency f_{osc} | 1.0 kHz | 25.6 kHz | 40 kHz |

- 2.) **U6050B, U6052B:**
Clock output CO (see page 16, 18)

| | Min. | Max. |
|---------------------------------|-------------|-------------|
| Output current „high“ $-I_{CO}$ | 140 μ A | 250 μ A |

- 3.) **U6050B, U6052B:** For the calculation of the oscillator frequency the following approach can be used (see page 5)

$$f_{osc} = 1 / C_{osc} (0.79 \times R_{osc} + 2260 \Omega)$$

- 4.) **Availability**
 U6050B only in SO20 (U6050B-AFL)
 U6051B is cancelled.
 U6052B still in DIP18 (U6052B-A) and SO24 (U6052B-AFL)

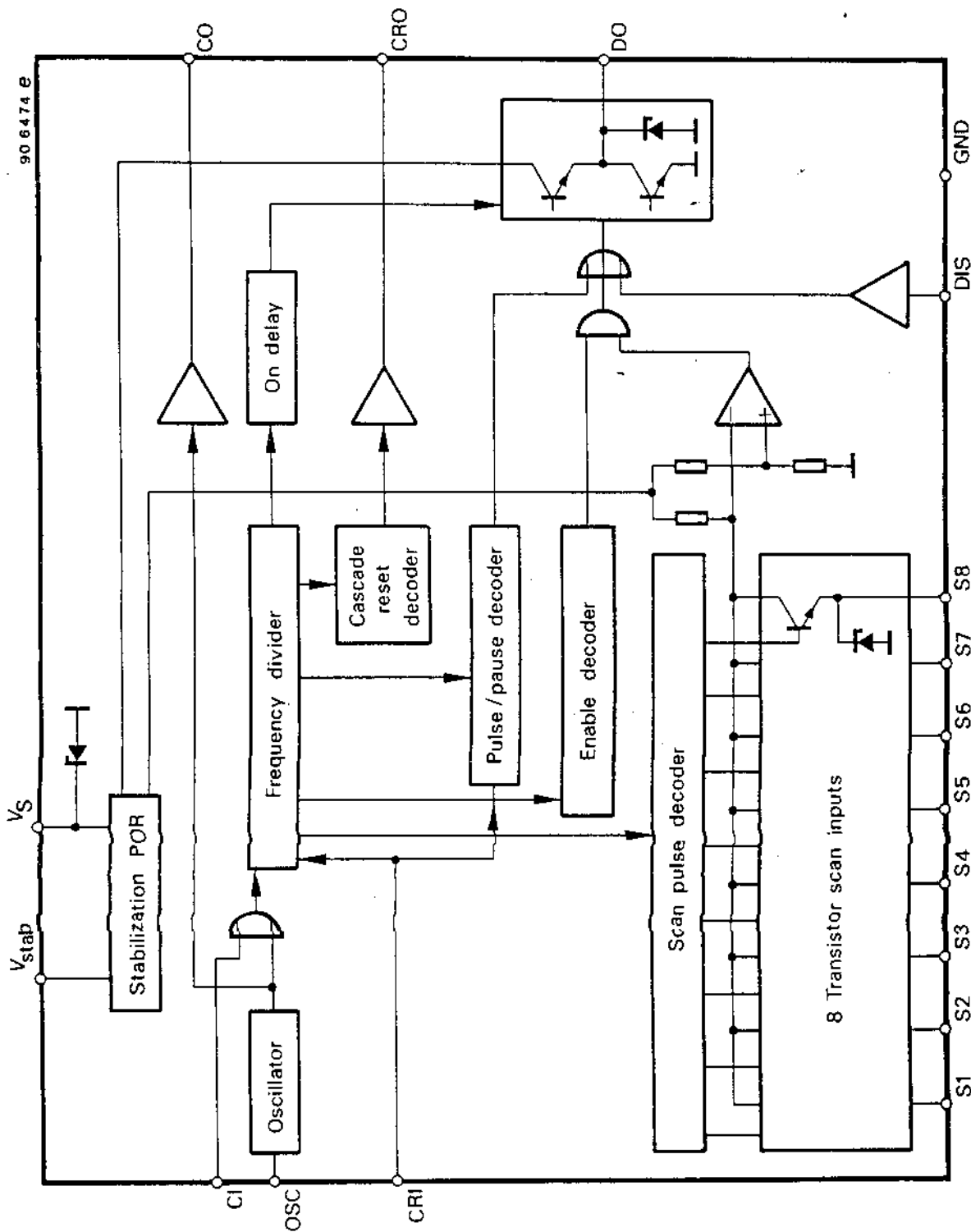


Fig. 1 Block diagram U 6050B

Elektronik-Service
 Bodelschwingstr. 32
 D-75031 Eppingen
 Tel.: 072 62/9 1236-0
 Fax: 072 62/32 13

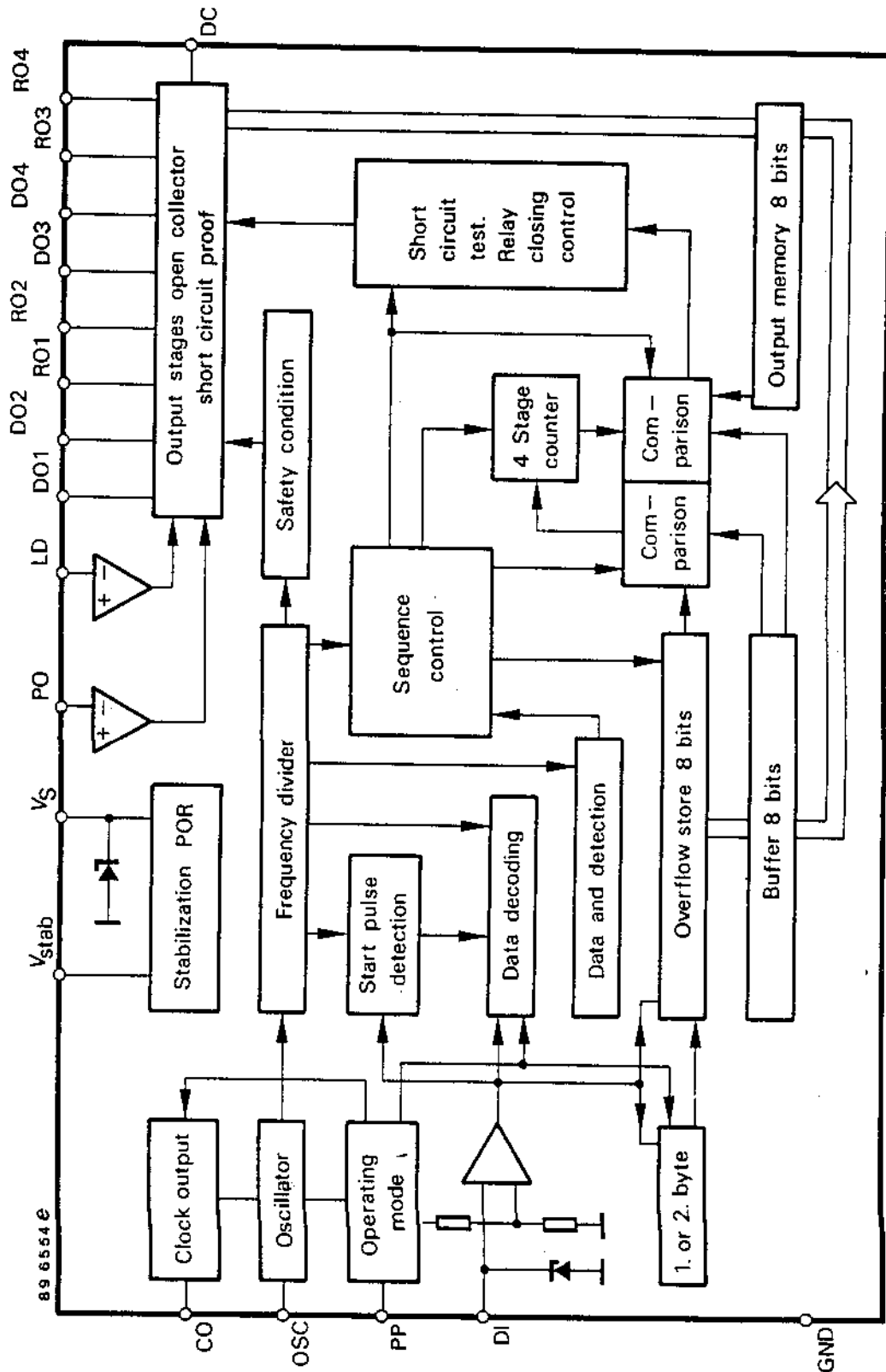


Fig. 2 Block diagram U 6051 B

Elektronik-Service
Bodelschwinghstr. 32
D-75031 Eppingen
Tel.: 0 72 62 / 9 12 36-0
Fax: 0 72 62 / 32 13

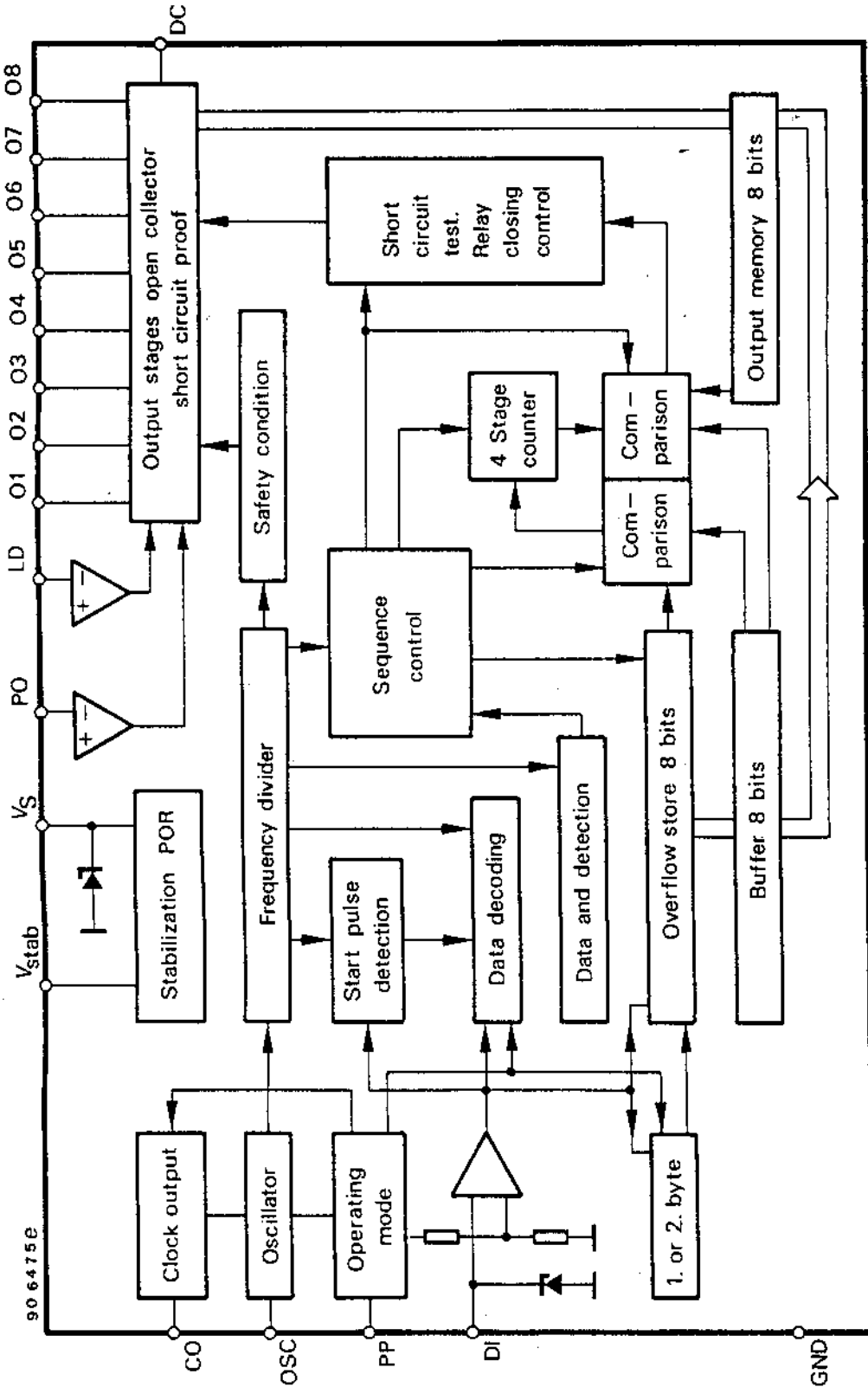


Fig. 3 Block diagram U 6052 B

Elektronik-Service
Bodelschwinghstr. 32
D-75031 Eppingen
Tel.: 0 72 62 / 9 12 36-0
Fax: 0 72 62 / 32 13

1. Functional description of transmitter and receiver

1.1 Power supply

For reasons of protection against interference and surges must all circuits be equipped with an RC circuit for current limitation in the event of overvoltages and for buffering in the event of voltage dips at V_S .

Suggested dimensions: $R_V = 510 \Omega$, $C_V = 100 \mu\text{F}$. An integrated 14 V Z-diode is located between V_S and GND in each case.

1.2 Oscillator

All timing in the circuits is derived from an RC-oscillator in each case; the oscillator's charging time t_1 is determined by an external resistor R_{osc} and its discharge time t_2 by an integrated 2 k Ω resistor. Since the tolerance and temperature sensitivity of the integrated resistor are considerably greater than those of the external resistor, $t_1/t_2 \geq 20$ must be selected for stability reasons. The minimum value of R_{osc} should not be less than 68 k Ω .

Recommended frequencies and dimensioning:

$$f_{\text{transmitter}} = 6.4 \text{ kHz}; C_{\text{osc}} = 1 \text{ nF}; R_{\text{osc}} = 200 \text{ k}\Omega$$

$$f_{\text{receiver}} = 25.6 \text{ kHz}; C_{\text{osc}} = 220 \text{ pF}; R_{\text{osc}} = 200 \text{ k}\Omega$$

Times derived from the transmitter frequency (6.4 kHz):

| | |
|-------------------------|---------------------------------------|
| Start pulse | : 312 μs |
| One bit | : 156 μs |
| Information bit | : 156 μs |
| Zero bit | : 156 μs |
| Information unit | : 625 μs |
| Data word | : 5 ms + 312 μs start bit |
| Data pause | : 9.688 ms |
| Transmission cycle | : 15 ms |
| Minimum reaction time | : 60 ms |
| Data word master-slave | : 10 ms + 312 μs start bit |
| Data pause master-slave | : 4.688 ms |
| Scanning pulse | : 312 μs |
| ON delay | : 75 ms |

2. Transmitter supply via the data line

The supply line is not required if the transmitter is supplied via the data line. Refer to Fig. 16 for the wiring. It must be noted that there is greater susceptibility to faults with this wiring arrangement, but this can be eliminated by a suitable external circuit, e.g. a capacitor to ground after the reverse voltage protection diode.

Both transmitter and receiver possess an integrated 14 V Z-diode at the data output DO and data input DI for limitation of positive voltage peaks.

3. 5V supply

Both the transmitters and receivers can be supplied from one stabilized, noise-free 5 V voltage source. In this case, the series resistor and the filter capacitor are not required. Pin V_{stab} is also supplied by the 5 V supply.

Refer to Figs. 15, 17, 18 and 20.

4. Functional description of the transmitter U 6050 B

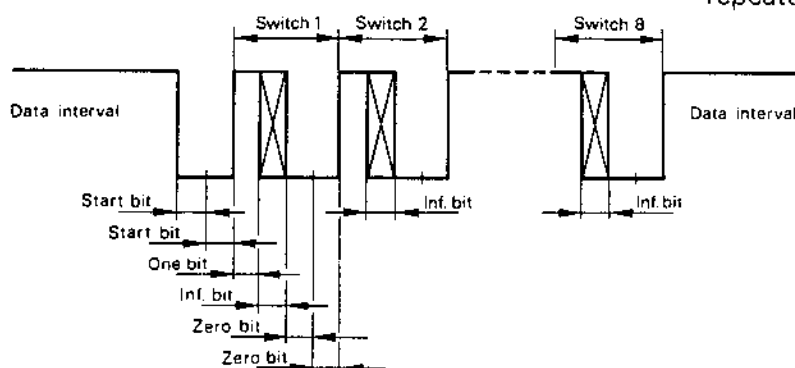
Eight switch or pushbutton inputs are scanned cyclically every 15 ms and the result is permanently transmitted to the receiver as a serial data word via the data line.

4.1 Structure of the data word

A switch information unit consists of 4 parts:

1. One bit for receiver synchronization
2. Information bit with "High" = switch open
"Low" = switch closed
3. Zero bit
4. Zero bit

The data word consists of 2 start bits and 8 information units. For a transmitter frequency of 6.4 kHz, the data word length is 5 ms plus the start pulse, followed by a 10 ms long data interval. The data interval has high potential. When the supply voltage is applied, data transmission is constantly repeated in accordance with this pattern (Fig. 4).



Elektronik-Service
Bodenschwingstr. 32
D-75031 Eppingen
Tel.: 07262/91236-0
Fax: 07262/3213

4.2 ON delay and POR

After the supply voltage V_{batt} is applied to the transmitter, a POWER-ON-RESET pulse (POR) is generated internally which sets the logic of the U 6050B to a basic condition. This also applies to the other circuits. The data output is blocked for approx. 75 ms so that the supply capacitor can be charged up when V_{batt} is switched on in the case of transmitter supply via the data line (Fig. 5).

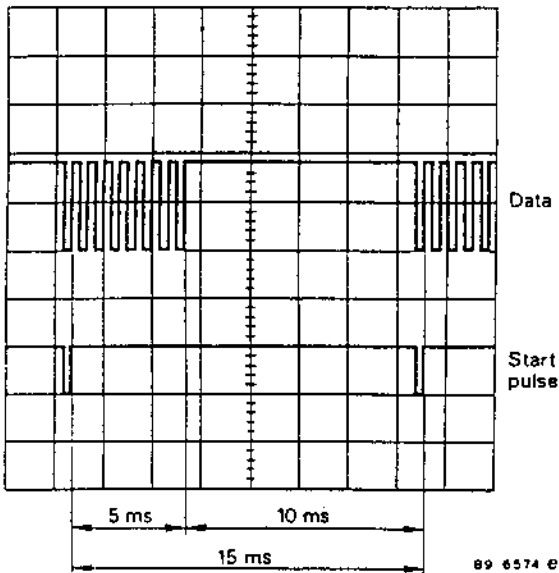


Fig. 4

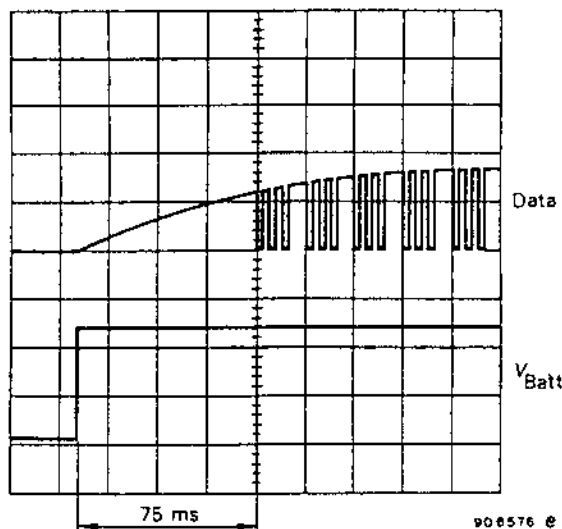


Fig. 5

4.3 Switch input scanning

For reliable detection of the switch condition, a certain minimum current must flow through the switch contact so that soiling and moisture cannot lead to misinterpretations.

A value of 2 mA was planned for the contact current. To reduce the overall current consumption of the transmitter, the switches are supplied cyclically with the contact current, so that the power consumption is reduced from the maximum of 16 mA to 0.33 mA owing to the duty factor of 2.5/15.

The voltage drop across the inputs caused by the current is compared with a reference voltage of 2.5 V: if the potential is less than 2.5 V during the scan pulse, the switch is closed, while the switch is open if the potential is greater than 2.5 V. The leakage resistance of the switching contact can thus be approx. 2.5 k Ω if a protective resistor of 100 Ω is provided. Protective resistors for limitation of interference voltage peaks at the inputs are required mainly where the lines to the switches are long. In a noise-free environment, the protective resistors at the switch inputs can be omitted. The input poses an integrated 14 V Z-diode.

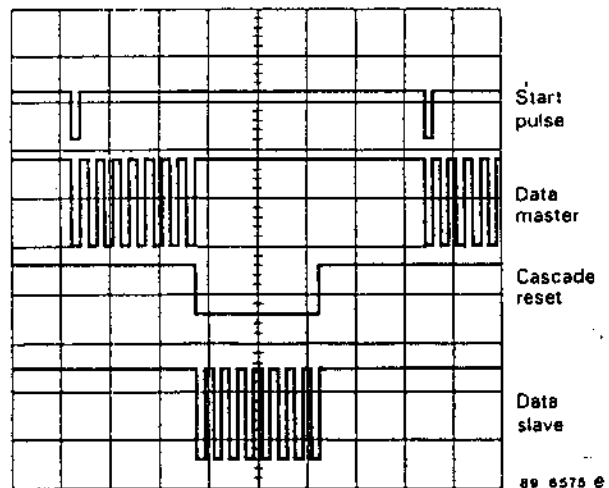


Fig. 6

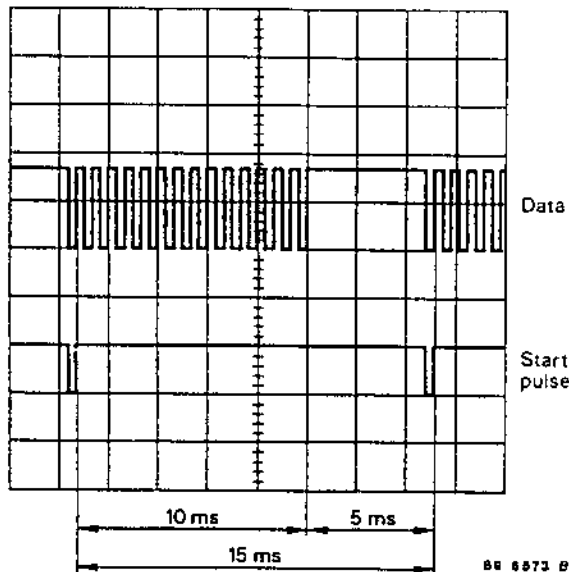


Fig. 7

4.4 Cascading (master-slave operation)

Scanning of up to 16 switches or pushbuttons is possible by connecting together two transmitters. The connection between master and slave is shown in Fig. 19. The data output DO of the slave is connected with the data input DIS of the master; the two data signals are combined with each other there and are available at the data output DO of the master (Fig. 6 and 7).

The master transmits the start bit and the first eight information units; in this time, the frequency divider of the slave is disabled by the master's

cascade reset. After the last master information unit, the slave frequency divider is enabled so that the slave scanning cycle and slave data transmission can be performed. In master-slave operation, the data word consists of the start bit and 16 information units (10 ms); the data interval is 5 ms. The clock output CO of the master is connected with the clock input of the slave CI so that the time sequences of both circuits are synchronous. The voltage supply can be realized with a common series resistor and a common filter capacitor.

Operation with 5 V is possible, refer to Fig. 20.

4.5 Data output DO

The data output is a push-pull output which is short-circuit proof both with respect to ground and V_{batt} . The current limiter is set to approx. 30 mA in both cases. A 14 V Z-diode is located between DO and GND to clip interference voltages. For this reason, an external series resistor of 100 Ω is also required to limit the current in the Z-diode (Fig. 8).

5. Functional description:

receiver U 6050 B/U 6051 B

Reception of the information arriving from the transmitter, decoding of the data word, i.e. recognition of the switch conditions and activation of the corresponding relay drivers after a data check.

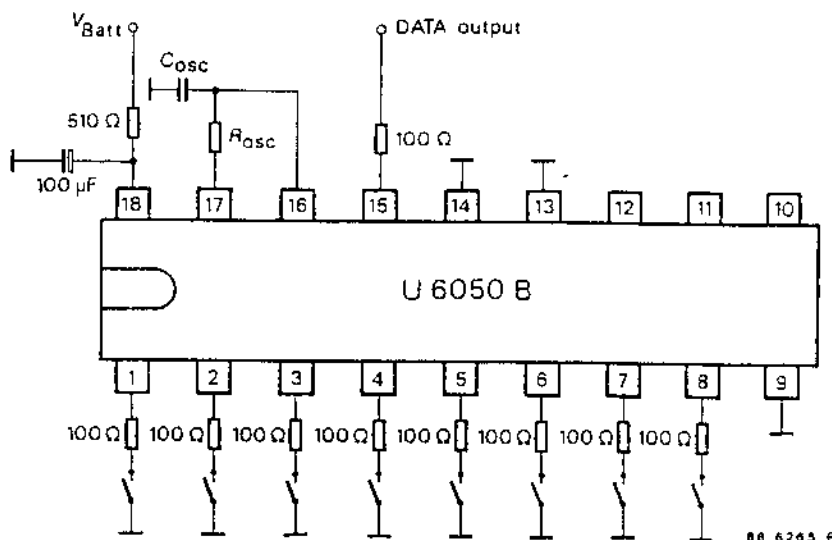


Fig. 8

Elektronik-Service
Bodenschwinghstr. 32
D-75031 Eppingen
Tel.: 072 62/9 1236-0
Fax: 072 62/32 13

5.1 Data decoding

If a negative edge appears at the data input, the receiver checks whether a start pulse or a fault is present by measuring the duration of the pulse. (A minimum time must be observed). If there is a fault, the receiver waits for the next negative edge.

If it recognises a start pulse, it checks whether an information unit with 8 bits is following and stores this in an 8-bit overflow store. The arriving data are ignored if there is no 8-bit string owing to a fault or a synchronism. The receiver is synchronized by each one bit; scanning of the information takes place in the middle of the information bit. In order to make scanning sufficiently precise, the oscillator frequency of the receiver was selected to be four times as large as that of the transmitter. The deviation of the receiver frequency to the four-fold transmitter frequency may be up to $\pm 15\%$ while still guaranteeing reliable data recognition.

5.2 Data check

The data read into the 8-bit overflow store are compared with the contents of the buffer. If they are identical, a 4-stage counter is incremented by one stage; if they are not identical, the counter is reset. The new data combination is transferred to the buffer after each comparison, irrespective of the result.

After coincidence has been established four times, the contents of the buffer are compared with the contents of the output memory. If both are identical, the 4-stage counter is reset. However, since nothing has changed with respect to the switch position, the information from the buffer is not transferred to the output memory. This is important if the relay drivers are in clocked condition. However, if the contents of the two

memories differ, the switch position must have changed in the meantime, and the following process occurs:

a. Relays are operated statically.

The information is transferred from the buffer to the output memory and the corresponding relay outputs are activated. An individual short-circuit test takes place for 10 ms after approx. 35 ms. If a short-circuit is detected, the respective output is disabled until a new POR occurs.

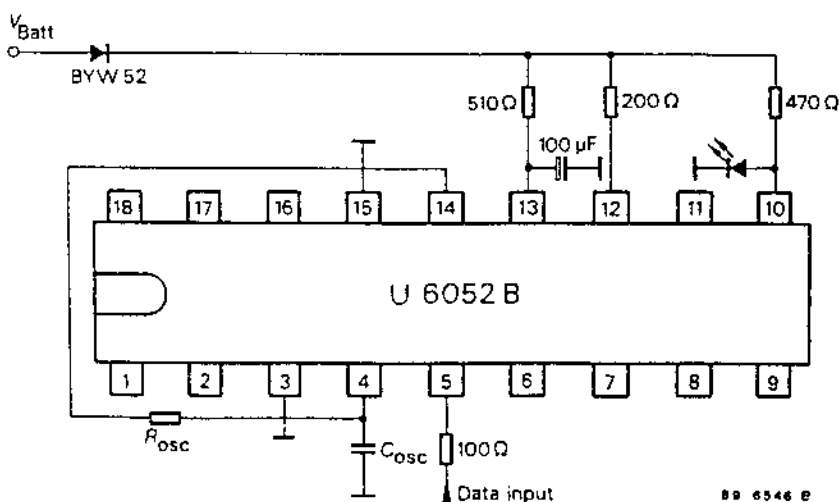
b. Relays are clocked.

After transfer to the output memory, the corresponding relay outputs are activated statically for approx. 120 ms; in this time, the short-circuit test described in a) is performed. The relay outputs are then clocked with the oscillator frequency.

Since the period of a data transmission is 15 ms, this results in a minimum delay time or debouncing time of $4 \cdot 15 \text{ ms} = 60 \text{ ms}$ for detection of a change in switch position. Faults on the data line and switch bouncing may lead to an extension of the delay time.

5.3 Safety position of the relay drivers

If no data reach the receiver any longer owing to a break in the data line or a short-circuit to ground or V_S , then all relay drivers are disabled after approx. 50 ms. It is possible to visually indicate the malfunction by permanently wiring a transmitter input to ground and connecting the corresponding relay output in accordance with Fig. 9. This applies only to static operation or when using a digital output of U 6051B.



Elektronik-Service
Bodenschwingstr. 32
D-75031 Eppingen
Tel.: 072 62/9 12 36-0
Fax: 072 62/32 13

Fig. 9

5.4 Short circuit detection of the outputs

Approx. 35 ms after a new data transfer operation to the output memory, a comparator measures the collector voltage of every active output transistor for 10 ms. If the saturation voltage exceeds the value of 2 V, this is interpreted as a short-circuit. The delay of 35 ms also permits connection of a 1.2 W lamp: the high initial current after switching on has died away by then and cannot lead to erroneous tripping of the short-circuit detection circuit. Measurement is not performed statically so that faults cannot simulate a short-circuit; in practice, this means that each active output is measured four times in the period of 10 ms (Fig. 10). Experience shows that fault pulses in a motor

vehicle are shorter than 2 ms. The corresponding transistor is rendered reverse-biased only if the collector voltage is greater than 2 V for longer than 10 ms owing to a short circuit; this condition is then stored and can be cancelled again only by a POR. A short-circuit which occurs at a later time can be detected only when a new switch combination is set and a new short-circuit test takes place. However, an active transistor will be destroyed by a subsequent short-circuit to V_{batt} . If a transistor is reverse-biased owing to a short-circuit, the remaining functions of the receiver are not impaired by this.

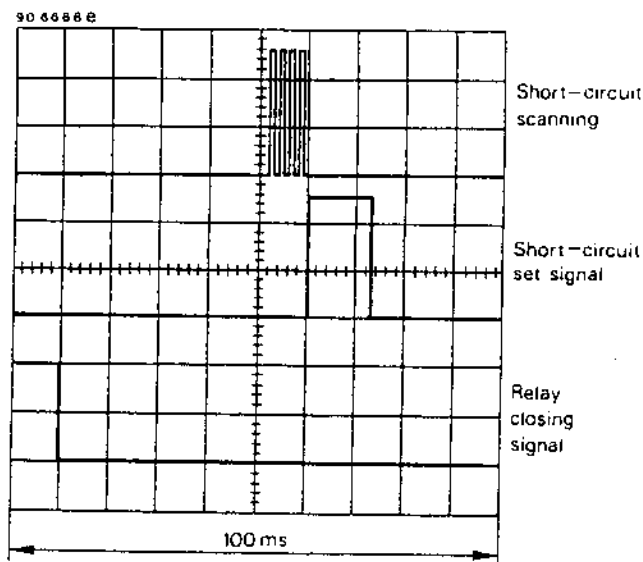


Fig. 10

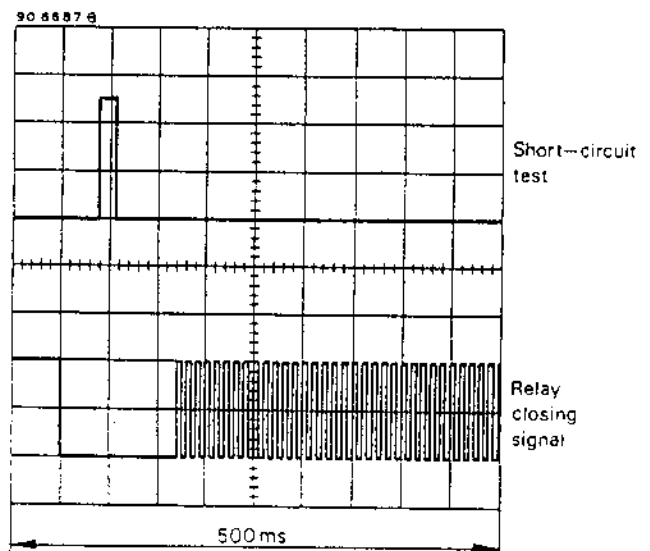


Fig. 11

5.5 Output clocking

Clocking of the relay outputs leads to a reduction in the power dissipation of the circuit and the overall equipment. The operating modes "output clocking", $PO = V_S$ or "static activation", $PO = GND$, can be selected by the input PO.

After a new information transfer operation to the output memory, the relay outputs to be activated are statically activated for a period of approx. 120 ms. The above-described short-circuit test also takes place in this time and the outputs are then clocked with a frequency of 25.6 kHz, i.e. with the oscillator's fundamental frequency. Refer to Fig. 11.

Clocking of the outputs is switched off in the event of a supply voltage of $V_{Batt} \leq 10 V$; clocking is then switched back on again for $V_{Batt} \geq 11 V$. Detection of these voltage thresholds is also performed by the

input PO if this is provided with a voltage divider. The reference voltage for "clocking off" is around 2 V/2.27 V. With an external voltage divider of 150 k Ω /39 k Ω , this corresponds to a response threshold of $V_{Batt} = 10 V/11 V$, refer to Fig. 12. Clocking of the relays over the whole supply voltage range requires a separate free-wheeling diode for each relay which can also block the required interference voltages, e.g. BAV 21. Since negative interference voltages can reach the collectors of the output transistors with low resistance via these free-wheeling diodes, a high-blocking capability reverse voltage protection diode, e.g. a BYW 52, must be connected in the supply line, because these interference voltages would otherwise lead to destruction of the transistors.

5.6 Driver control DC

A relatively high current is required for activation of all eight output transistors. This would lead to a large voltage drop across R_v if this current were taken from the internal supply voltage. For this reason, the activation current of the relay drivers is routed via a separate terminal DC.

It was not possible to use Darlington transistors with low base currents because the aim was a maximum saturation voltage of $V_{CEsat} \leq 0.5$ for $I_C = 150$ mA. In the event of a fault, the potential of DC is connected to ground via a Darlington transistor. Recommended series resistance for DC: $R_{DC} = 200 \Omega$.

5.7 Surge immunity, input LD

The IC supply is protected by an external RC circuit and an integrated 14 V Z-diode.

Since the output transistors cannot withstand long positive voltage peaks and the load dump pulse in reverse-biased condition without damage, they are switched to forward-biased condition in the event of a fault. The output transistors are dimensioned so that they can cope with the current produced through an 80 Ω winding as a result of the load dump pulse.

At the same time, the potential at DC is also connected to ground via a Darlington transistor. The outputs are gated via output transistors reconnected to form Darlington transistors.

If a lamp is connected, the current may become so high in the event of a load dump in conjunction with the initial resistance of the lamp that the output transistor and lamp may be destroyed.

The response threshold is defined with an external voltage divider at the input LD. The reference voltage for overvoltages is around 2 V/1.5 V, this corresponding to a V_{batt} response voltage of approx. 30 V and a hysteresis of approx. 9 V.

In the event of positive overvoltages, every short-circuit scan is also suppressed.

5.8 Cascading (master-slave operation)

Determination of master or slave is performed by wiring the programming input PP at the U 6052 B:

Master : PP to V_S

Alone : PP open

Slave : PP to GND

In "master" mode, the oscillator is connected with R_{osc} and C_{osc} and the clock output CO is active.

If the receiver is operated alone, CO is disabled. In "slave" mode, the oscillator is blocked internally and must be activated by the clock output of the master; the slave's clock output is disabled.

The master recognises the start bit and decodes the first eight information bits. The slave also recognises the start bit, but decodes the second eight information bits.

Except for the synchronous clock control, the functions for master and slave are executed independently. The wiring and configuration in master-slave mode is shown in Figs. 21 and 22.

5.9 Activation of 8 logic outputs with U 6052 B

Instead of being used for activation of relays, the 8 outputs can also be used for activation of a downstream digital circuit. The outputs must then not be clocked: PO = GND.

The outputs must also not be gated by overvoltages, i.e. LD = GND. Refer to Fig. 13.

The outputs are npn open collector transistors and are capable of switching 200 mA and blocking up to 25 V. However, it must be ensured that no overvoltages and no load dump can reach the output transistors in this circuit configuration.

6. Modified receiver U 6051 B

The U 6051 B is a mask version of U 6052 B possessing 4 relay outputs and 4 logic outputs, refer to Figs. 14 and 22.

The relay outputs correspond to those of U 6052 B. The logic outputs are connected by means of an aluminium mask to form an npn Darlington open collector with integrated 22 V Z-diode. Clocking and gating by overvoltages are not possible. The saturation voltage is less than 1 V for $I_C = 20$ mA. Overvoltages may reach the logic outputs only with a series resistance of 1 k Ω .

Elektronik-Service
Bodelschwinghstr. 32
D-75031 Eppingen
Tel.: 072 62/9 1236-0
Fax: 072 62/32 13

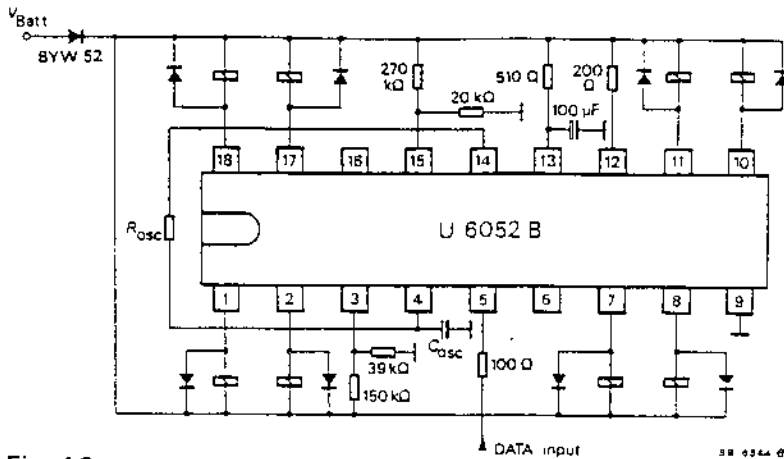


Fig. 12

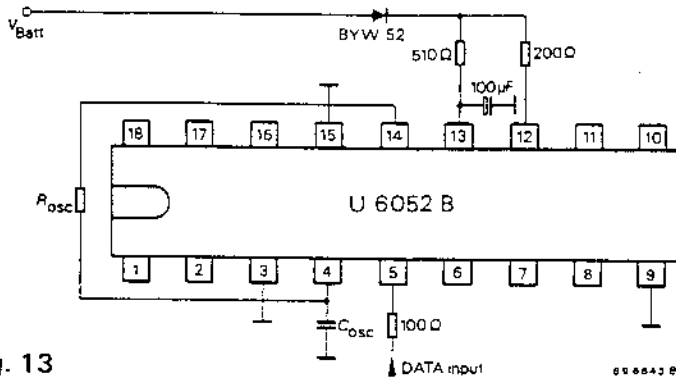


Fig. 13

Elektronik-Service
 Bodelschwinghstr. 32
 D-75031 Eppingen
 Tel.: 072 62/9 12 36-0
 Fax: 072 62/32 13

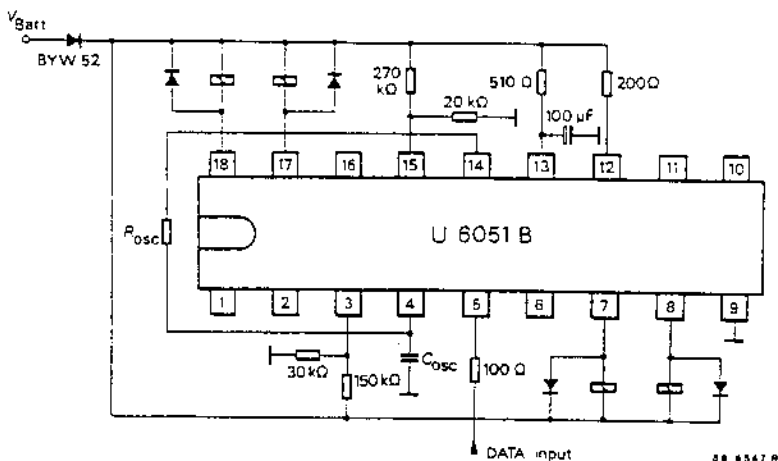


Fig. 14

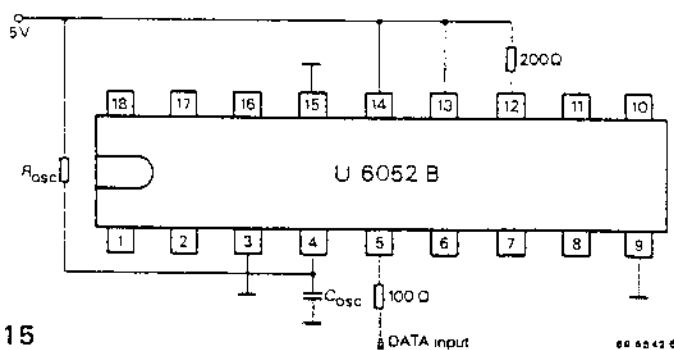


Fig. 15

U 6050 B · U 6051 B U 6052 B

TEMIC

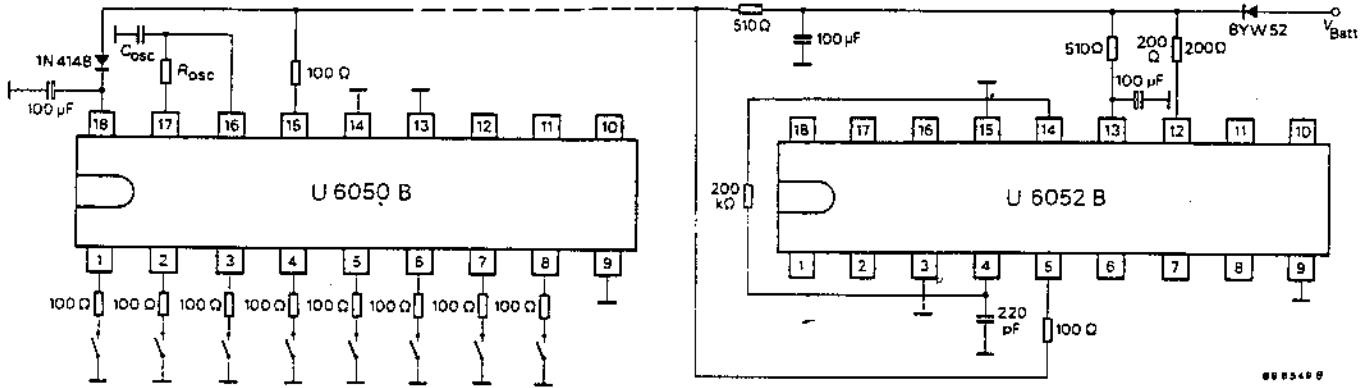


Fig. 16

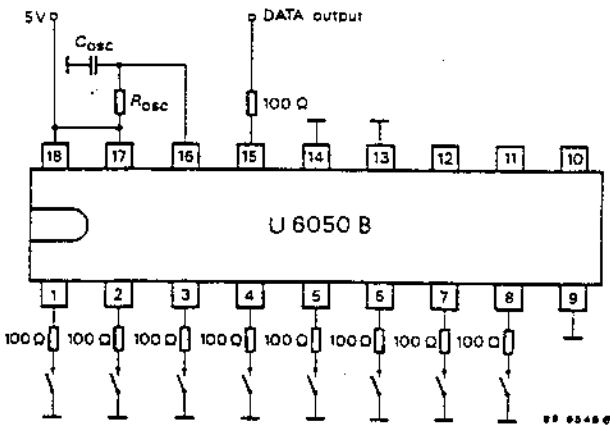


Fig. 17

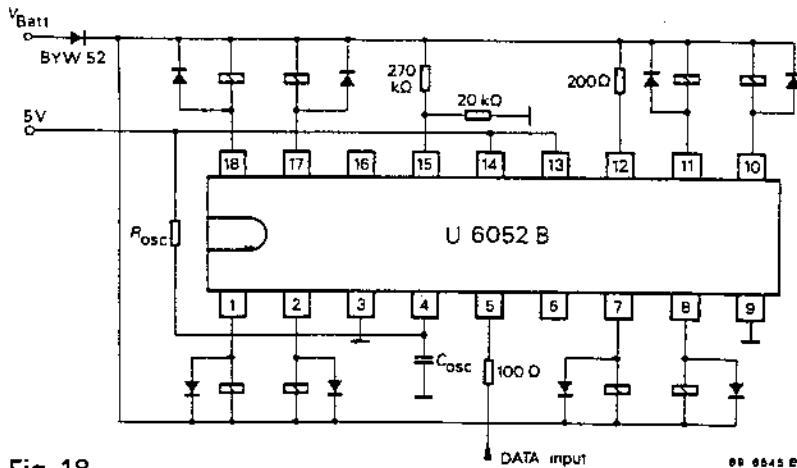


Fig. 18

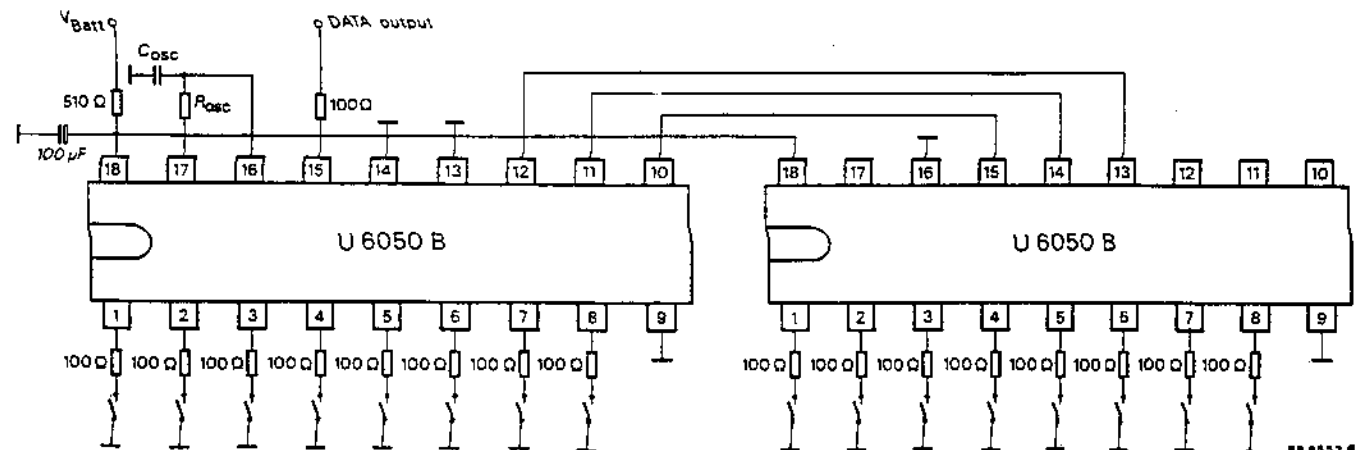


Fig. 19

Elektronik-Service
 Bodenschwingstr. 32
 D-75031 Eppingen
 Tel.: 072 62 / 9 12 36-0
 Fax: 072 62 / 32 13

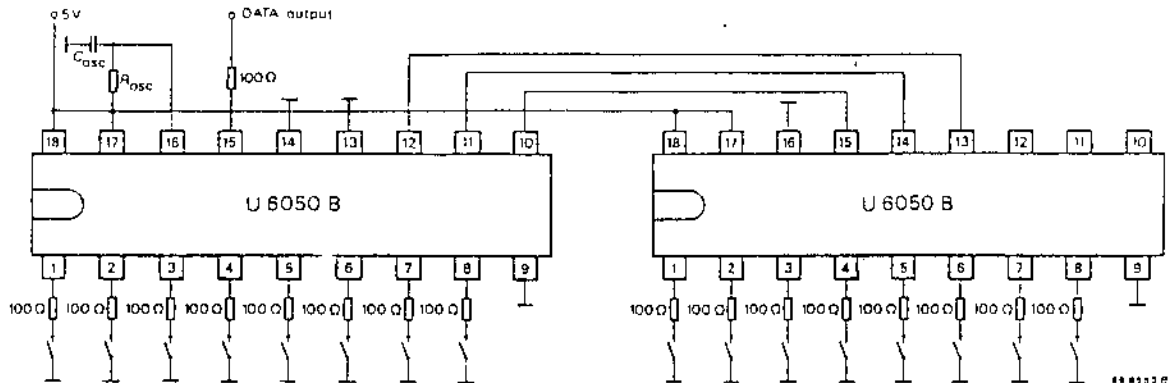


Fig. 20

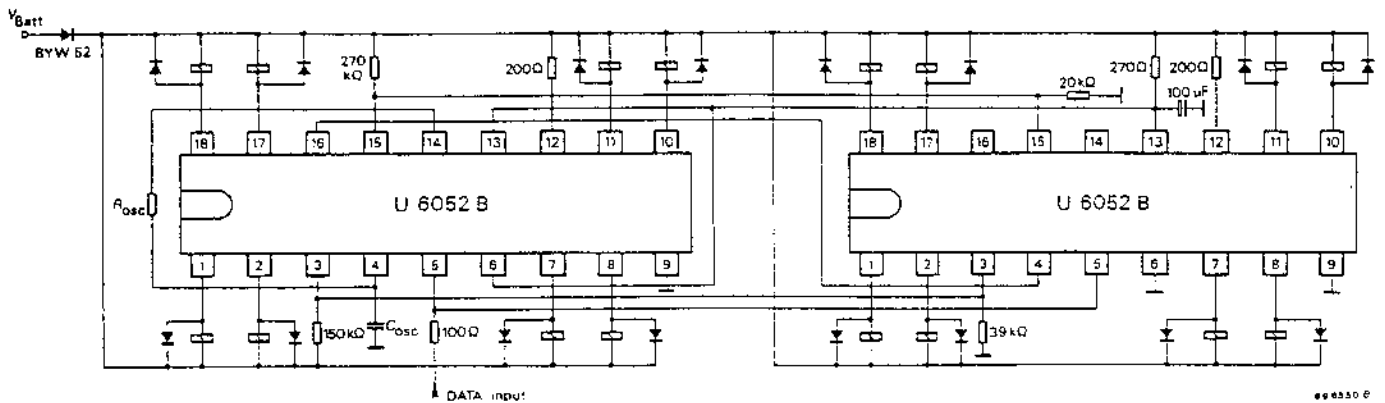


Fig. 21

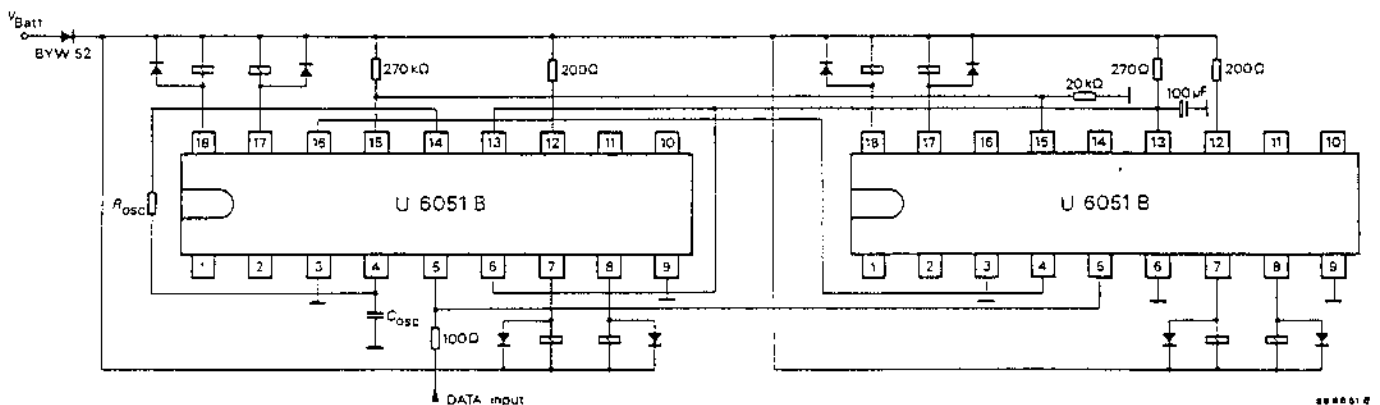


Fig. 22

Elektronik-Service
 Bodenschwinghstr. 32
 D-75031 Eppingen
 Tel.: 072 62/9 1236-0
 Fax: 072 62/32 13

U 6050 B · U 6051 B U 6052 B

TEMIC

Pin configuration (U 6050 B)

| Pin | Function |
|----------------------|-------------------------------|
| 1 ... 8 (2 ... 9) | Switch inputs S1 ... S8 |
| 9 (10) | Ground GND |
| 10 (11) | Data input slave DIS |
| 11 (13) | Cascading reset output CRO |
| 12 (14) | Clock output for cascading CO |
| 13 (15) | Clock input for cascading CI |
| 14 (16) | Cascading reset input CRI |
| 15 (17) | Data output DO |
| 16 (18) | RC-oscillator input OSC |
| 17 (19) | Stabilized voltage V_{stab} |
| 18 (20) | Supply voltage V_S |
| (1, 12) | N. C. |

Elektronik-Service
Bodelschwinghstr. 32
D-75031 Eppingen
Tel.: 072 62/9 1236-0
Fax: 072 62/32 13

Pin configuration (U 6051 B)

| Pin | Function |
|------------|-------------------------------|
| (1) | Ground GND |
| 1 (2) | Logic output DO1 |
| 2 (3) | Logic output DO2 |
| 3 (5) | Program pin pulsed output PO |
| 4 (6) | RC-oscillator input OSC |
| 5 (7) | Data input DI |
| 6 (8) | Program pin (tristate) PP |
| 7 (10) | Relay output RO1 |
| 8 (11) | Relay output RO2 |
| 9 (12) | Ground GND |
| (13) | Ground GND |
| 10 (14) | Logic output DO3 |
| 11 (15) | Logic output DO4 |
| 12 (17) | Driver control DC |
| 13 (18) | Supply voltage V_S |
| 14 (19) | Stabilized voltage V_{stab} |
| 15 (20) | Load dump detection LD |
| 16 (21) | Clock output for cascading CO |
| 17 (22) | Relay output RO3 |
| 18 (23) | Relay output RO4 |
| (24) | Ground GND |
| (4, 9, 16) | N. C. |

Pin configuration (U 6052 B)

| Pin | Function |
|------------|-------------------------------|
| (1) | Ground GND |
| 1 (2) | Relay output O1 |
| 2 (3) | Relay output O2 |
| 3 (5) | Program pin pulsed output PO |
| 4 (6) | RC-oscillator input OSC |
| 5 (7) | Data input DI |
| 6 (8) | Program pin (tristate) PP |
| 7 (10) | Relay output O3 |
| 8 (11) | Relay output O4 |
| 9 (12) | Ground GND |
| (13) | Ground GND |
| 10 (14) | Relay output O5 |
| 11 (15) | Relay output O6 |
| 12 (17) | Driver control DC |
| 13 (18) | Supply voltage V_S |
| 14 (19) | Stabilized voltage V_{stab} |
| 15 (20) | Load dump detection LD |
| 16 (21) | Clock output for cascading CO |
| 17 (22) | Relay output O7 |
| 18 (23) | Relay output O8 |
| (24) | Ground GND |
| (4, 9, 16) | N. C. |

Numbers in brackets apply to SO package

U 6050 B Transmitter (with recommended circuitry)*

Absolute maximum ratings

| | | | |
|---|-----------|--------------|----|
| Supply voltage (static) no operation 60 s | V_S | 25 | V |
| Ambient temperature range | T_{amb} | -40 ... +85 | °C |
| Storage temperature range | T_{stg} | -55 ... +125 | °C |
| Junction temperature | T_j | 150 | °C |
| Power dissipation $T_{amb} = 85\text{ °C}$ | P_{tot} | 810 | mW |

Maximum thermal resistance

| | | | | |
|------------------|--------|------------|-----|-----|
| Junction ambient | DIP 18 | R_{thJA} | 80 | K/W |
| | SO 20 | R_{thJA} | 100 | K/W |

Electrical characteristics

$V_{Batt} = 13.5\text{ V}$, $T_{amb} = 25\text{ °C}$, reference: GND

Transmitter operated with recommended circuitry (Fig. 8)

| | | Min. | Typ. | Max. | |
|-------------------------------------|--------------------|------|------|------|----|
| Supply voltage | V_{Batt} | 6 | | 16 | V |
| 5 V supply (without R_V , C_V) | V_S , V_{Stab} | 4.3 | | 6 | V |
| Stabilized voltage | V_{Stab} | | 5.2 | | V |
| Protection resistor | R_V | 510 | | | Ω |
| Filter capacitor | C_V | | 100 | | μF |
| POR threshold | V_S | 3.0 | | 4.2 | V |
| Current consumption | I_S | | 1.5 | | mA |
| Internal clamping | V_Z | | 14.3 | | V |

Switch input S1 ... S8

| | | | | | |
|--|----------------|-----|------|---|----|
| Scan current ($V_{S1...S8} = 0\text{ V}$) | $-I_{S1...S8}$ | | 2 | | mA |
| Leakage resistance | $R_{S1...S8}$ | 1.8 | | 3 | kΩ |
| Internal reference | V_{Ref} | | 2.5 | | V |
| Recommended protection resistor | $R_{S1...S8}$ | | 100 | | Ω |
| Internal clamping | $V_{Z1...Z8}$ | | 14.3 | | V |

Oscillator input OSC

| | | | | | |
|---|------------|-----|-----|------|-----|
| Internal discharge resistor | R_{Dis} | 1.6 | 2.0 | 2.4 | kΩ |
| Lower threshold | V_{OSC} | | 1.1 | | V |
| Upper threshold | V_{OSC} | | 3.3 | | V |
| Input current ($V_{OSC} = 0\text{ V}$) | $-I_{OSC}$ | | | 1 | μA |
| Oscillator frequency | f_{OSC} | 1.0 | 6.4 | 20.0 | kHz |

U 6050 B · U 6051 B U 6052 B

TEMIC

| | | Min. | Typ. | Max. |
|--|--------------|------|------------------|-------------|
| Clock input CI | | | | |
| Internal serial resistor | R_{CI1} | | 2 | k Ω |
| Internal pull down resistor | R_{CI2} | | 20 | k Ω |
| Threshold | V_{CI} | | 0.6 | V |
| Clock output CO | | | | |
| Output current "high" ($V_{CO} = 0$ V) | $-I_{CO}$ | | | 150 μ A |
| Saturation voltage "low" | V_{CO} | | | 1 V |
| Cascade reset input CRI | | | | |
| Internal serial resistor | R_{CRI1} | | 2 | k Ω |
| Internal pull down resistor | R_{CRI2} | | 20 | k Ω |
| Threshold | V_{CRI} | | 0.6 | V |
| $V_{CRI} = 0$ V: normal operation $V_{CRI} = V_S$: reset | | | | |
| Cascade reset output CRO | | | | |
| Output current "high" ($V_{CRO} = 0$ V) | $-I_{CRO}$ | | | 150 μ A |
| Saturation voltage "low" | V_{CRO} | | | 1 V |
| Data output DO | | | | |
| Saturation voltage "low" (20 mA) | V_{DO} | | | 1.5 V |
| Saturation voltage "high" (20 mA) | V_{DO}/V_S | | | 2.4 V |
| Current limitation ($V_{DO} = 0$ V) | $-I_{DO}$ | | 30 | mA |
| ($V_{DO} = V_{Batt}$) | I_{DO} | | 30 | mA |
| Internal clamping | V_Z | | 14.3 | V |
| External protection resistor | R_{DO} | 100 | | Ω |
| Data input – slave DIS | | | | |
| Internal pull-up resistor | R_{DIS} | | 100 | k Ω |
| Detection threshold | V_{DIS} | | $0.66 \cdot V_S$ | V |

Elektronik-Service
 Bodelschwinghstr. 32
 D-75031 Eppingen
 Tel.: 0 72 62 / 9 12 36-0
 Fax: 0 72 62 / 32 13

U 6051 B, U 6052 B Receiver (with recommended circuitry)

Absolute maximum ratings

| | | | |
|---|-----------|-------------|----|
| Supply voltage (static) no operation 60 s | V_S | 25 | V |
| Ambient temperature range | T_{amb} | -40...+ 85 | °C |
| Storage temperature range | T_{stg} | - 55...+125 | °C |
| Junction temperature | T_j | 150 | °C |
| Power dissipation ($T_{amb} = 85\text{ °C}$) | P_{tot} | 860 | mW |

Maximum thermal resistance

| | | | |
|------------------|------------|----|-----|
| Junction ambient | R_{thJA} | 75 | K/W |
|------------------|------------|----|-----|

Electrical characteristics

| | | Min. | Typ. | Max. | |
|---|--------------------|------|------|------|----|
| $V_{Batt} = 13.5\text{ V}$, $T_{amb} = 25\text{ °C}$, reference GND Receiver operated with recommended circuitry | | | | | |
| Supply voltage | V_{Batt} | 6 | | 16 | V |
| 5 V supply (without R_V , C_V) | V_S , V_{Stab} | 4.3 | | 6 | V |
| Stabilized voltage | V_{Stab} | | 5.2 | | V |
| Protection resistor | R_V | 510 | | | Ω |
| Filter capacitor | C_V | | 100 | | μF |
| POR threshold | V_S | 3.0 | | 4.2 | V |
| Current consumption (all outputs off) | I_S | | 2.0 | | mA |
| Internal clamping | V_Z | | 14.3 | | V |

Relay output 01...08 (U 6052 B); R01...R04 (U6051B)

| | | | | | |
|---|----------|----|---|-----|----|
| Saturation voltage ($I_O = 150\text{ mA}$) | V_O | | | 0.5 | V |
| Relay coil resistance | R_O | 80 | | | Ω |
| Collector current (normal operation) | I_O | | | 200 | mA |
| Collector pulse current (load dump) | I_{OP} | | | 1.5 | A |
| Threshold short circuit detection (output activated) | V_{OS} | | 2 | | V |

U 6050 B · U 6051 B U 6052 B

TEMIC

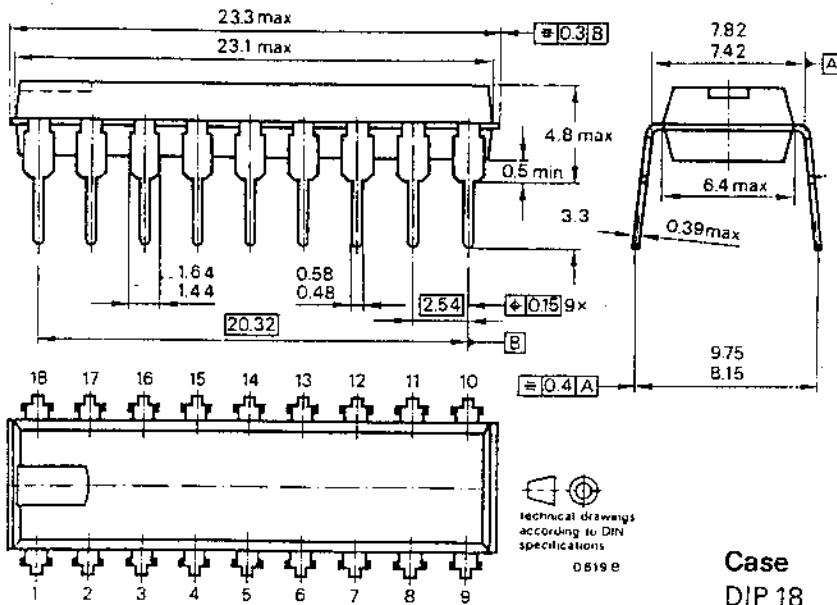
| | | Min. | Typ. | Max. | |
|--|----------------|------|------------------|------|---------------|
| Logic outputs D01...D04 (U 6051B) | | | | | |
| Saturation voltage ($I_O = 20 \text{ mA}$) | V_O | | | 1.0 | V |
| Collector current | I_O | | | 30 | mA |
| Internal clamping | V_Z | | 22 | | V |
| Threshold short circuit detection | V_{OS} | | 2 | | V |
| Oscillator input OSC | | | | | |
| Internal discharge resistor | R_{DIS} | 1.6 | 2.0 | 2.4 | k Ω |
| Lower threshold | V_{OSC} | | 1.1 | | V |
| Upper threshold | V_{OSC} | | 3.3 | | V |
| Input current ($V_{OSC} = 0 \text{ V}$) | $-I_{OSC}$ | | | 1 | μA |
| Frequency | f_{OSC} | 1.0 | 25.6 | 50.0 | kHz |
| Data input DI | | | | | |
| Threshold | V_{DI} | | $0.5 \cdot V_S$ | | V |
| Internal pull down resistor | R_{DI} | | 100 | | k Ω |
| Internal clamping | V_Z | | 14 | | V |
| Input current ($V_{DI} = 0 \text{ V}$) | $-I_{DI}$ | | | 1 | μA |
| External protection resistor | R | 100 | | | Ω |
| Programm pin PP | | | | | |
| Lower threshold | V_{PP} | | $0.13 \cdot V_S$ | | V |
| Upper threshold | V_{PP} | | $0.50 \cdot V_S$ | | V |
| Pin PP open | V_{PP} | | $0.27 \cdot V_S$ | | V |
| Input current ($V_{PP} = 0 \text{ V}$) | $-I_{PP}$ | | 30 | | μA |
| ($V_{PP} = V_S$) | I_{PP} | | 50 | | μA |
| Pin PP: | operation mode | | | | |
| open | single | | | | |
| GND | slave | | | | |
| V_S | master | | | | |
| Clock output CO (activated only in master mode) | | | | | |
| Output current "high" ($V_{CO} = 0 \text{ V}$) | $-I_{IO}$ | | | 150 | μA |
| Saturation voltage "low" | V_{IO} | | | 1 | V |
| Separate driver control DC | | | | | |
| External protection resistor | R_{DC} | 200 | | | Ω |
| Control current | I_{DC} | | | 40 | mA |
| Load dump reduction voltage | V_{DC} | | | 2 | V |

| | | Min. | Typ. | Max. |
|---|------------|------|----------|-----------|
| Load dump detection LD | | | | |
| Recommended voltage divider 270/20 kΩ | | | | |
| Load dump threshold | V_{LD} | | 2.1/1.4 | V |
| Load dump threshold | V_{Batt} | | 30/21 | V |
| Internal clamping | V_Z | | 7 | V |
| Input current ($V_{LD} = 0$ V) | $-I_{LD}$ | | | 1 μ A |
| Program pin Pulsed Output PO | | | | |
| Recommended voltage divider 150/39 kΩ | | | | |
| Threshold pulsed output off | V_{PO} | | 2.0/2.27 | V |
| Threshold pulsed output off | V_{Batt} | | 10/11 | V |
| Internal clamping | V_Z | | 7 | V |
| Input current ($V_{PO} = 0$ V) | $-I_{PO}$ | | | 1 μ A |
| Input current ($V_{PO} = V_S$) | I_{PO} | | | 1 μ A |
| $V_{PP} = 0$ V : static output | | | | |
| $V_{PP} = V_S$: pulsed output | | | | |
| IC power consumption | | | | |
| ($V_{Batt} = 16$ V, $V_{sat} = 0.5$ V, eight 80 Ω relays activated, $R_{DC} = 200$ Ω) | | | | |
| U 6052 B static | P_{tot} | | 1130 | mW |
| U 6052 B pulsed | P_{tot} | | 500 | mW |
| U 6051 B static | P_{tot} | | 750 | mW |
| U 6051 B pulsed | P_{tot} | | 475 | mW |

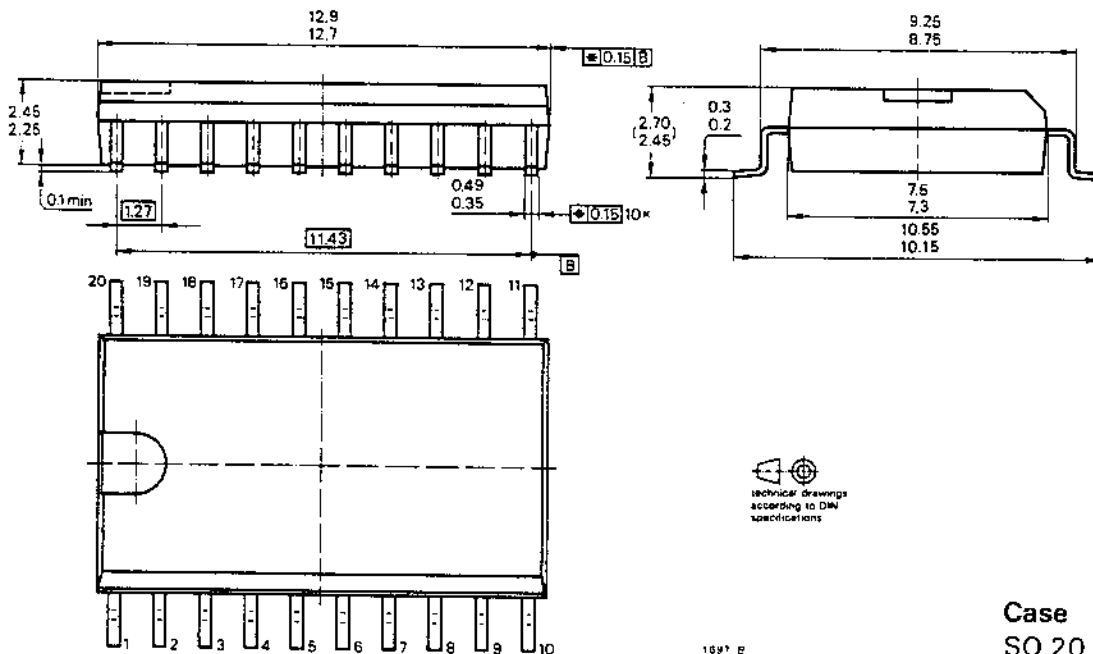
**U 6050 B · U 6051 B
U 6052 B**

TEMIC

Dimensions in mm



Case
DIP 18



Case
SO 20

Elektronik-Service
 Bodelschwinghstr. 32
 D-75031 Eppingen
 Tel.: 072 62/9 12 36-0
 Fax: 072 62/32 13