



## VB6851

### QXGA camera module with auto focus

Data Brief

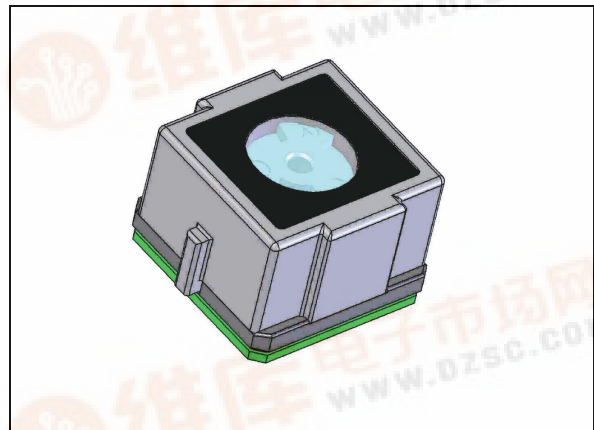
#### Features

- 3.15 megapixel resolution sensor (2048 x 1536)
- Integrated auto-focus mechanism
- High level autofocus control interface
- 4 element lens
- Compact size: 8.5 mm x 8.5 mm x 5.9 mm
- Compatible with SMIA 1.0 profile 2 functional specification
- Video data interface - CCP2.0
- Command interface - CCI
- Analog power supply from 2.4 V to 2.9 V
- Digital power supply from 1.7 V to 2.9 V
- On-board 10 bit ADC
- Integral EMC shielding and EMI reduction techniques
- Ultra low power standby mode
- Analog binning (2x2, 2x4) for low power video mode

#### Description

This databrief outlines a high performance 3.15 megapixel auto-focus camera module (VB6851) for use across a range of mobile phone handsets and accessories. It is designed to be used for both high quality stills capture and video modes. The module is SMIA 1.0 profile 2 compatible and is capable of generating raw bayer 3 MP images up to 20 fps. The VB6851 supports the CCI control and CCP 2.0 data interfaces.

As different phone platforms have different baseband processors with varying capabilities, it may not be possible for all phones to support the associated image processing and auto-focus algorithms. Where the baseband cannot support this processing load, a separate hardware



accelerator (e.g. STV0986) or application engine (e.g. STn8815) device can be incorporated in the phone system to run the algorithms in hardware. The specifications of these devices are contained in a separate document.

The module design is optimized for both footprint and height. The auto-focus mechanism combined with a multi-element lens provides excellent image quality at focus distances from less than 10 cm to infinity. All external components, including the auto-focus actuator drivers, are integrated inside the camera module, apart from two CCI pull-up resistors.

VB6851 offers an ultra low power consumption hardware standby mode consuming less than 30  $\mu$ W (typ.).



# 1 Overview

Figure 1. System diagram

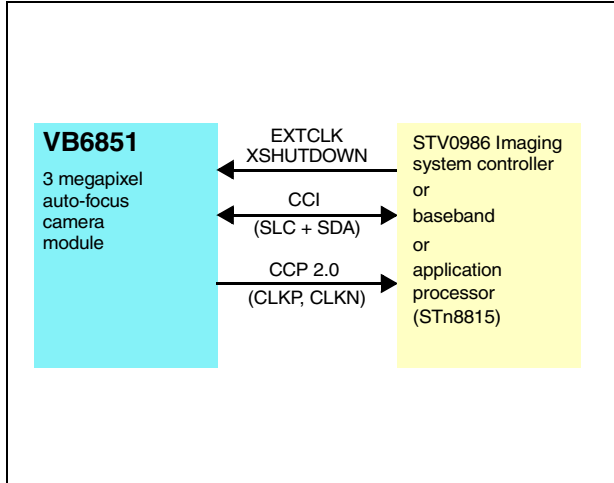


Figure 2. Block diagram

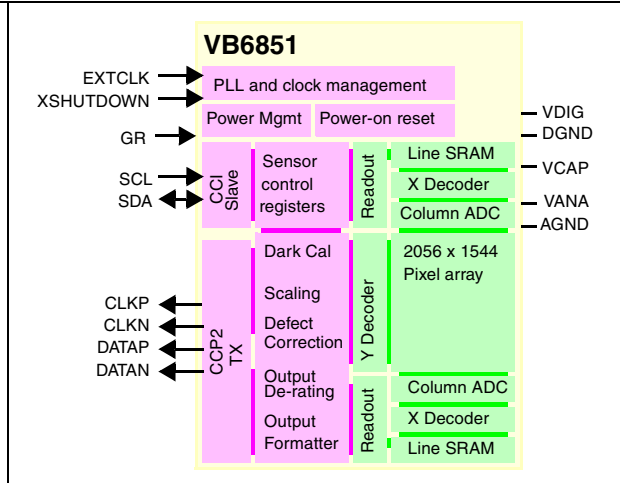


Table 1. Technical specifications

Parameter	Description
Pixel resolution	2048 x 1536 (QXGA)
Sensor technology	ST IMG175 process
Pixel size	1.75 μm x 1.75 μm
Exposure control	+ 81 dB
Analog gain	+ 24 dB (max)
Digital gain	+ 6 dB (max)
Dynamic range	60 dB
Signal to noise	36 dB (@ 100 lux)
Supply voltages	Analog: 2.4 V - 2.9 V Digital: 1.7 V - 1.9 V
Average power consumption 20fps	<150 mW in infinity <350 mW at macro including actuator current
Package size (lxwxh)	8.5 mm x 8.5 mm x 5.9 mm
Lens	51° +/- 2 HFOV F/2.8
TV distortion	< 1.0%
Relative illumination	45 % (typ.)
Package type	SMIA85 auto-focus
System attach	SMIA85 socket

## 2 Ordering information

**Table 2. Order codes**

Order code	Package	Packing
VB6851S0VO/T2 <sup>(1)</sup>	SMIA85AF with CCP2 I/F with socket	Tape and reel

1. ECOPACK® package

## 3 Revision history

**Table 3. Document revision history**

Date	Revision	Changes
07-Feb-2008	1	Initial release.

**Please Read Carefully:**

Information in this document is provided solely in connection with ST products. STMicroelectronics NV and its subsidiaries ("ST") reserve the right to make changes, corrections, modifications or improvements, to this document, and the products and services described herein at any time, without notice.

All ST products are sold pursuant to ST's terms and conditions of sale.

Purchasers are solely responsible for the choice, selection and use of the ST products and services described herein, and ST assumes no liability whatsoever relating to the choice, selection or use of the ST products and services described herein.

No license, express or implied, by estoppel or otherwise, to any intellectual property rights is granted under this document. If any part of this document refers to any third party products or services it shall not be deemed a license grant by ST for the use of such third party products or services, or any intellectual property contained therein or considered as a warranty covering the use in any manner whatsoever of such third party products or services or any intellectual property contained therein.

**UNLESS OTHERWISE SET FORTH IN ST'S TERMS AND CONDITIONS OF SALE ST DISCLAIMS ANY EXPRESS OR IMPLIED WARRANTY WITH RESPECT TO THE USE AND/OR SALE OF ST PRODUCTS INCLUDING WITHOUT LIMITATION IMPLIED WARRANTIES OF MERCHANTABILITY, FITNESS FOR A PARTICULAR PURPOSE (AND THEIR EQUIVALENTS UNDER THE LAWS OF ANY JURISDICTION), OR INFRINGEMENT OF ANY PATENT, COPYRIGHT OR OTHER INTELLECTUAL PROPERTY RIGHT.**

**UNLESS EXPRESSLY APPROVED IN WRITING BY AN AUTHORIZED ST REPRESENTATIVE, ST PRODUCTS ARE NOT RECOMMENDED, AUTHORIZED OR WARRANTED FOR USE IN MILITARY, AIR CRAFT, SPACE, LIFE SAVING, OR LIFE SUSTAINING APPLICATIONS, NOR IN PRODUCTS OR SYSTEMS WHERE FAILURE OR MALFUNCTION MAY RESULT IN PERSONAL INJURY, DEATH, OR SEVERE PROPERTY OR ENVIRONMENTAL DAMAGE. ST PRODUCTS WHICH ARE NOT SPECIFIED AS "AUTOMOTIVE GRADE" MAY ONLY BE USED IN AUTOMOTIVE APPLICATIONS AT USER'S OWN RISK.**

Resale of ST products with provisions different from the statements and/or technical features set forth in this document shall immediately void any warranty granted by ST for the ST product or service described herein and shall not create or extend in any manner whatsoever, any liability of ST.

ST and the ST logo are trademarks or registered trademarks of ST in various countries.

Information in this document supersedes and replaces all information previously supplied.

The ST logo is a registered trademark of STMicroelectronics. All other names are the property of their respective owners.

© 2008 STMicroelectronics - All rights reserved

STMicroelectronics group of companies

Australia - Belgium - Brazil - Canada - China - Czech Republic - Finland - France - Germany - Hong Kong - India - Israel - Italy - Japan - Malaysia - Malta - Morocco - Singapore - Spain - Sweden - Switzerland - United Kingdom - United States of America

[www.st.com](http://www.st.com)