

RECOMMENDED IPM

MITSUBISHI PM series

APPLICATIONS

IPM drive

FEATURES

- Containing 6 opt-couplers for IPM drive and 4 opt-couplers for Fault Signal for 3 phase inverter
- With diodes for protection from reverse input voltage
- SIP saves more space on mother board
- Pin arrangement fit IPM's pin assign
- The isolation voltage between primary and secondary is 250Vrms(1 min.)

DESCRIPTION

The VLA606-01R is the interface module for IPM drive.

PRELIMINARY

IPM interface module

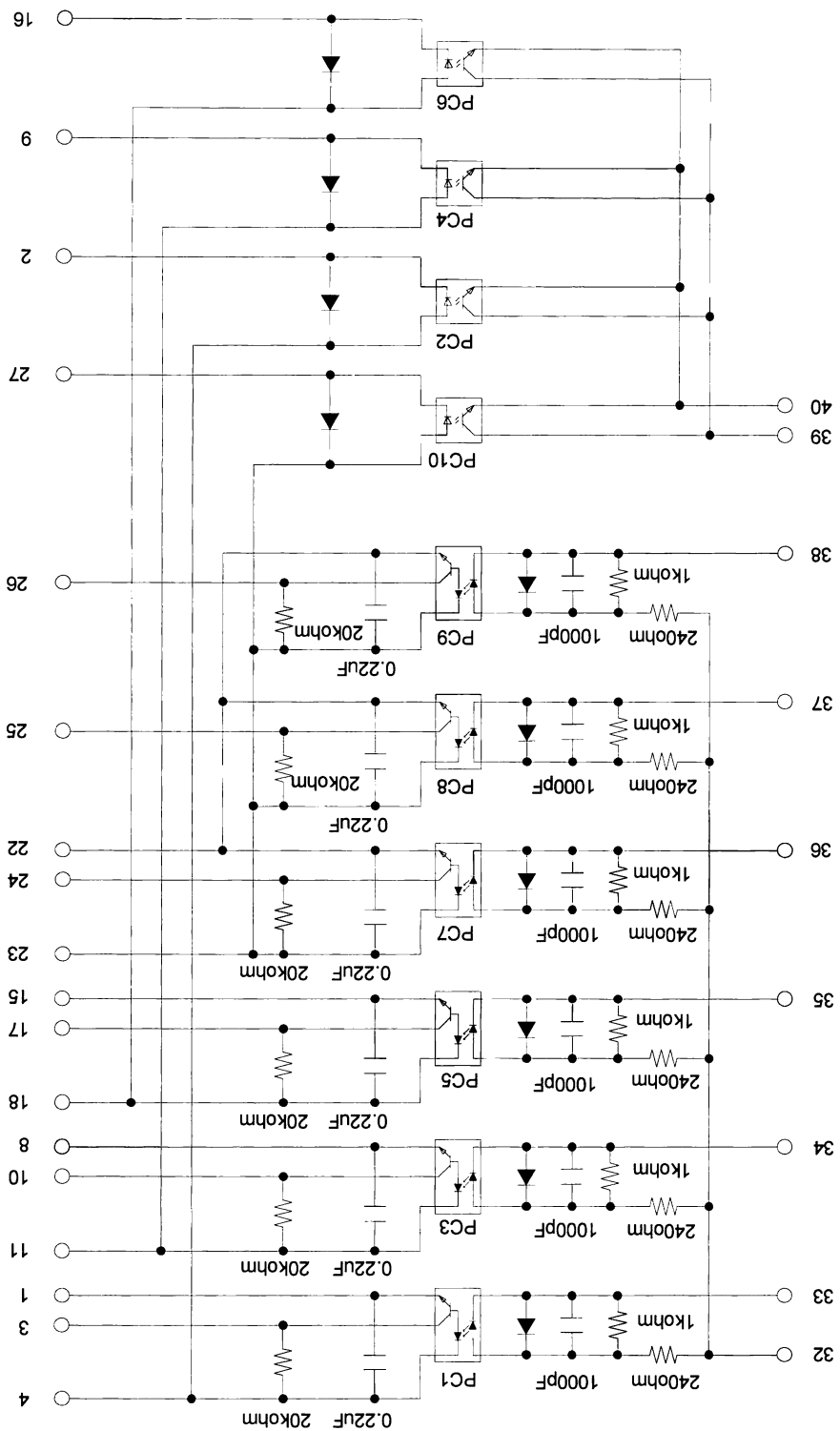
PDF

VLA606-01R

HYBRID IC



EQUIVALENT CIRCUIT



MAXIMUM RATINGS (Unless otherwise noted, Ta=25°C)

Parameter	Symbol	Conditions	Ratings	Unit
Supply voltage 1	Vcc1	Between pins 4,1,11-8,18-15,23-22	-0.5 ~ +20	V
Supply voltage 2	Vcc2	Between pins 39-40	-6 ~ +40	V
Input current 1	IF1	Between pins 32-33,32-34,32-35,32-36,32-37,32-38	20	mA
Input current 2	IF2	Between pins 4-2,11-9,18-16,23-27	20	mA
Operating temperature	Topr	No condensation	-20 ~ +70	°C
Storage temperature	Tstg	No condensation	-25 ~ +100	°C
Input-output isolation voltage	Viso	primary – secondary AC, 1min	2500	Vrms

ELECTRICAL CHARACTERISTICS (unless otherwise noted, Ta=25°C)

Parameter	Symbol	Test conditions	Limits			Unit
			MIN.	TYP.	MAX.	
Output Low voltage1	VOL1	(Note 1)	—	—	0.5	V
Turn-on time1	ton1	(Note 1)	TBD	TBD	TBD	us
Turn-off time1	toff1	(Note 1)	TBD	TBD	TBD	us
Output Low voltage2	VOL2	(Note 1)	—	—	0.4	V
Turn-on time2	ton2	(Note 1)	TBD	TBD	TBD	us
Turn-off time2	toff2	(Note 1)	TBD	TBD	TBD	us

(Note 1) Please refer to the test conditions of the following page.

