



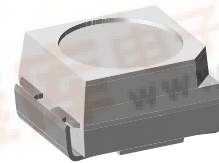
# VSML3710

Vishay Semiconductors

## High Power Infrared Emitting Diode, 940 nm RoHS Compliant, Released for Lead (Pb)-free Solder Process

### Description

VSML3710 is an infrared emitting diode in GaAlAs on GaAs technology in miniature PLCC-2 SMD package, released for Lead (Pb)-free Reflow Soldering.



94 8553

### Features

- High radiant power
- Low forward voltage
- Angle of half intensity:  $\phi = \pm 60^\circ$
- Peak wavelength:  $\lambda_p = 940 \text{ nm}$
- Compatible with automatic placement equipment
- EIA and ICE standard package
- Lead (Pb)-free reflow soldering acc. J-STD-020
- Packed in 8 mm tape
- Suitable for pulse current operation
- Phototransistor with matched package: VEMT3700
- Lead (Pb)-free component in accordance with RoHS 2002/95/EC and WEEE 2002/96/EC



### Applications

- IR emitter in photointerrupters, sensors and reflective sensors
- Household appliance
- IR emitter in low space applications
- Tactile keyboards

### Order Instructions

Part	Ordering code	Remarks
VSML3710	VSML3710-GS08	MOQ: 7500 pcs, 1500 pcs per reel
VSML3710	VSML3710-GS18	MOQ: 8000 pcs, 8000 pcs per reel

### Absolute Maximum Ratings

$T_{amb} = 25^\circ\text{C}$ , unless otherwise specified

Parameter	Test condition	Symbol	Value	Unit
Reverse voltage		$V_R$	5	V
Forward current		$I_F$	100	mA
Peak forward current	$t_p/T = 0.5, t_p = 100 \mu\text{s}$	$I_{FM}$	200	mA
Surge forward current	$t_p = 100 \mu\text{s}$	$I_{FSM}$	1	A
Power dissipation		$P_V$	170	mW
Junction temperature		$T_j$	100	$^\circ\text{C}$
Operating temperature range		$T_{amb}$	- 40 to + 85	$^\circ\text{C}$
Storage temperature range		$T_{stg}$	- 40 to +100	$^\circ\text{C}$
Soldering temperature	acc. figure 11	$T_{sd}$	260	$^\circ\text{C}$
Thermal resistance junction / ambient		$R_{thJA}$	400	K/W



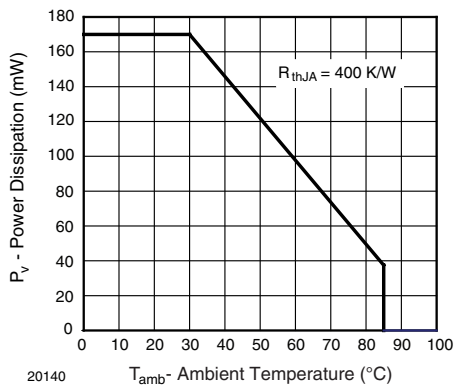


Figure 1. Power Dissipation Limit vs. Ambient Temperature

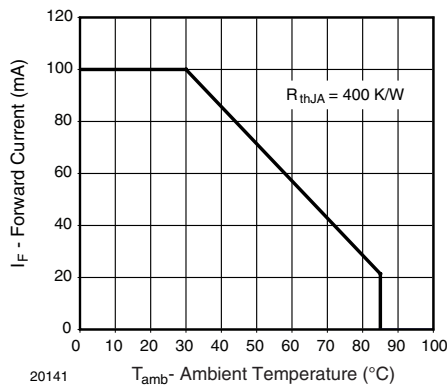


Figure 2. Forward Current Limit vs. Ambient Temperature

### Basic Characteristics

$T_{amb} = 25\text{ }^{\circ}\text{C}$ , unless otherwise specified

Parameter	Test condition	Symbol	Min	Typ.	Max	Unit
Forward voltage	$I_F = 100\text{ mA}$ , $t_p = 20\text{ ms}$	$V_F$		1.35	1.6	V
	$I_F = 1\text{ A}$ , $t_p = 100\text{ }\mu\text{s}$	$V_F$		2.6	3.0	V
Temp. coefficient of $V_F$	$I_F = 1\text{ mA}$	$TK_{V_F}$		- 1.85		mV/K
Reverse current	$V_R = 5\text{ V}$	$I_R$			100	$\mu\text{A}$
Junction capacitance	$V_R = 0\text{ V}$ , $f = 1\text{ MHz}$ , $E = 0$	$C_j$		25		pF
Radiant intensity	$I_F = 100\text{ mA}$ , $t_p = 20\text{ ms}$	$I_e$	4	8	20	mW/sr
	$I_F = 1\text{ A}$ , $t_p = 100\text{ }\mu\text{s}$	$I_e$		60		mW/sr
Radiant power	$I_F = 100\text{ mA}$ , $t_p = 20\text{ ms}$	$\phi_e$		35		mW
Temp. coefficient of $\phi_e$	$I_F = 100\text{ mA}$	$TK_{\phi_e}$		- 0.6		%/K
Angle of half intensity		$\phi$		$\pm 60$		deg
Peak wavelength	$I_F = 100\text{ mA}$	$\lambda_p$		940		nm
Spectral bandwidth	$I_F = 100\text{ mA}$	$\Delta\lambda$		50		nm
Temp. coefficient of $\lambda_p$	$I_F = 100\text{ mA}$	$TK_{\lambda_p}$		0.2		nm/K
Rise time	$I_F = 20\text{ mA}$	$t_r$		800		ns
	$I_F = 1\text{ A}$	$t_r$		500		ns
Fall time	$I_F = 20\text{ mA}$	$t_f$		800		ns
	$I_F = 1\text{ A}$	$t_f$		500		ns
Virtual source diameter		$\emptyset$		0.44		mm



## Typical Characteristics

$T_{amb} = 25\text{ }^{\circ}\text{C}$ , unless otherwise specified

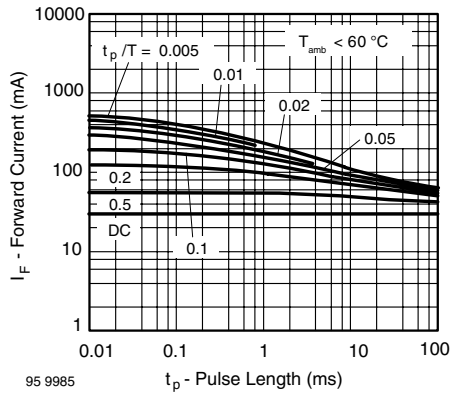


Figure 3. Pulse Forward Current vs. Pulse Duration

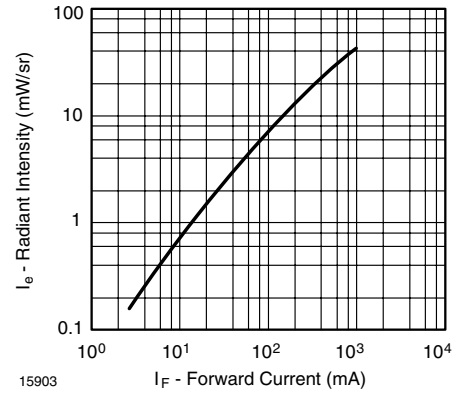


Figure 6. Radiant Intensity vs. Forward Current

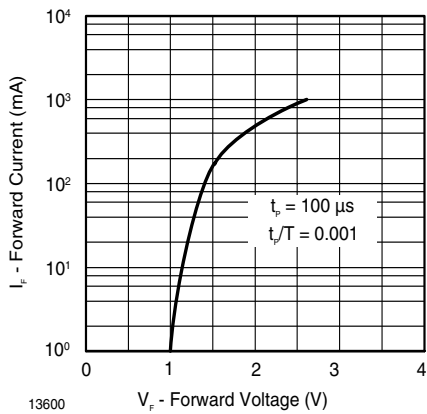


Figure 4. Forward Current vs. Forward Voltage

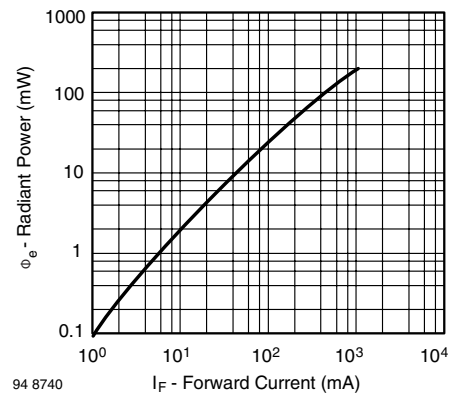


Figure 7. Radiant Power vs. Forward Current

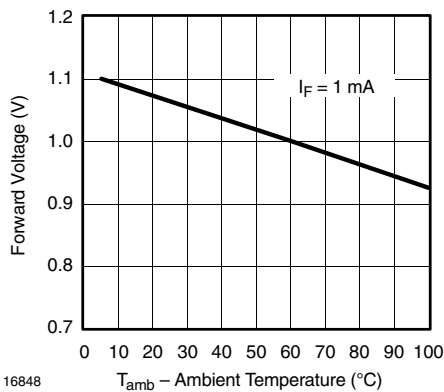


Figure 5. Forward Voltage vs. Ambient Temperature

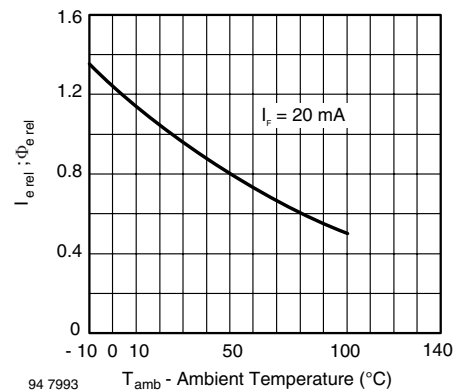


Figure 8. Rel. Radiant Intensity/Power vs. Ambient Temperature

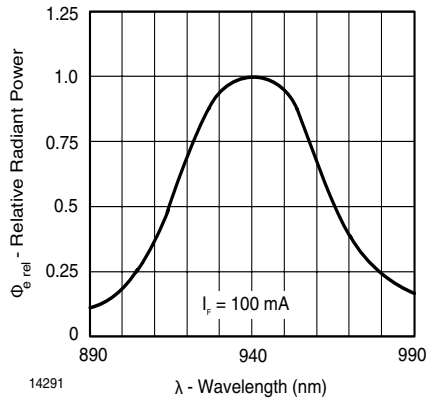


Figure 9. Relative Radiant Power vs. Wavelength

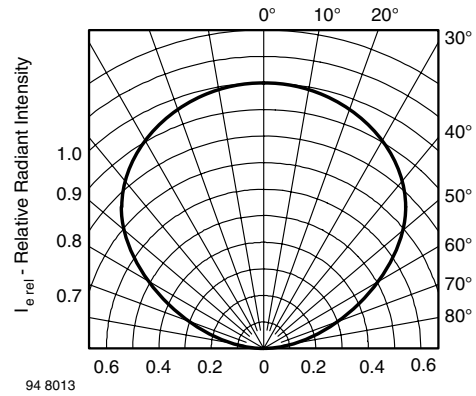
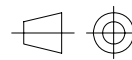
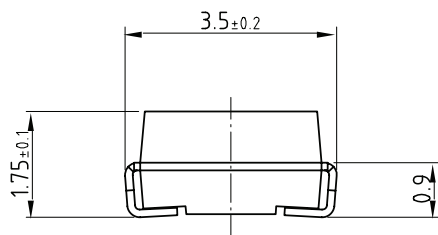


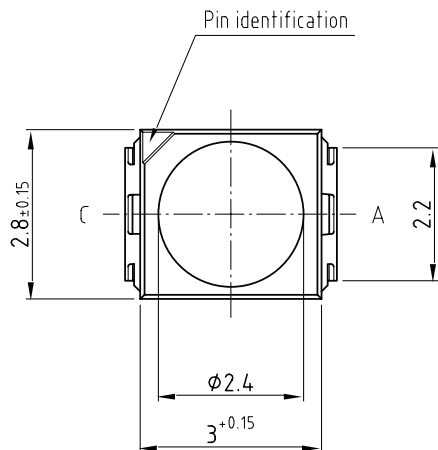
Figure 10. Relative Radiant Intensity vs. Angular Displacement

## Package Dimensions

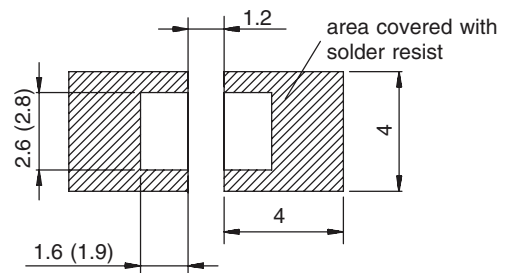


Technical drawings according to DIN specifications

Dimensions in mm



### Mounting Pad Layout



20541\_1  
 Drawing-No.: 6.541-5067.01-4  
 Issue: 2; 27.06.06

## Solder Profile

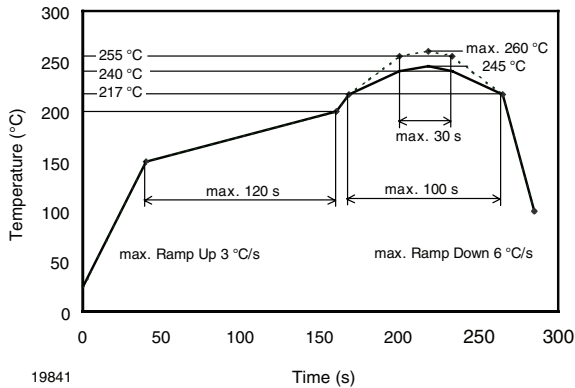


Figure 11. Lead (Pb)-free Reflow Solder Profile acc. J-STD-020B for Preconditioning acc. to JEDEC, Level 2a

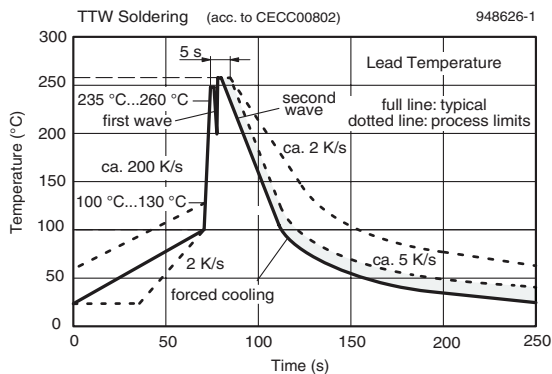


Figure 12. Double Wave Solder Profile for Opto Components

## Drypack

Devices are packed in moisture barrier bags (MBB) to prevent the products from moisture absorption during transportation and storage. Each bag contains a desiccant.

## Floor Life

Floor life (time between soldering and removing from MBB) must not exceed the time indicated on MBB label:

Floor Life: 4 weeks

Conditions:  $T_{amb} < 30\text{ °C}$ ,  $RH < 60\%$

Moisture Sensitivity Level 2a, acc. to J-STD-020B.

## Drying

In case of moisture absorption devices should be baked before soldering. Conditions see J-STD-020 or Label. Devices taped on reel dry using recommended conditions 192 h at  $40\text{ °C} (+ 5\text{ °C})$ ,  $RH < 5\%$ .

## Tape and Reel

PLCC-2 components are packed in antistatic blister tape (DIN IEC (CO) 564) for automatic component insertion. Cavities of blister tape are covered with adhesive tape.

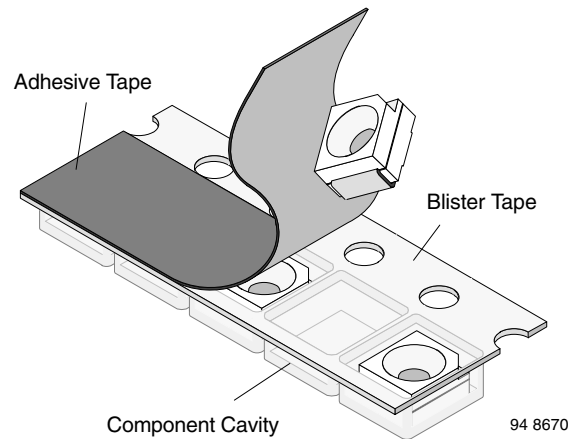


Figure 13. Blister Tape

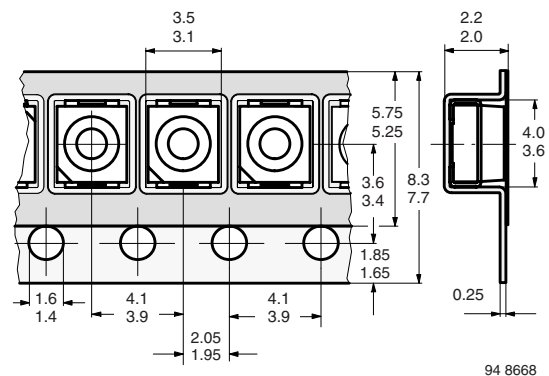


Figure 14. Tape Dimensions in mm for PLCC-2

## Missing Devices

A maximum of 0.5 % of the total number of components per reel may be missing, exclusively missing components at the beginning and at the end of the reel. A maximum of three consecutive components may be missing, provided this gap is followed by six consecutive components.

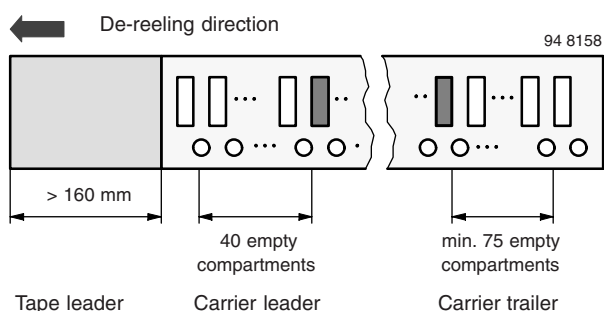


Figure 15. Beginning and End of Reel

The tape leader is at least 160 mm and is followed by a carrier tape leader with at least 40 empty compartments. The tape leader may include the carrier tape as long as the cover tape is not connected to the carrier tape. The least component is followed by a carrier tape trailer with a least 75 empty compartments and sealed with cover tape.

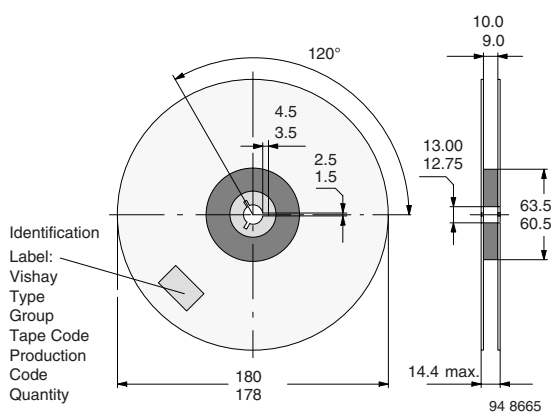


Figure 16. Dimensions of Reel-GS08

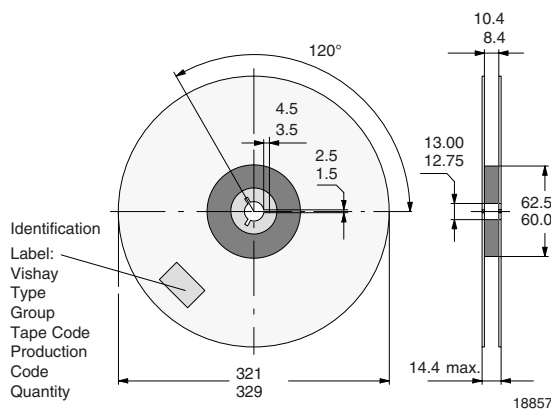


Figure 17. Dimensions of Reel-GS18

## Cover Tape Removal Force

The removal force lies between 0.1 N and 1.0 N at a removal speed of 5 mm/s. In order to prevent components from popping out of the blisters, the cover tape must be pulled off at an angle of 180° with regard to the feed direction.

**Ozone Depleting Substances Policy Statement Cover Tape Removal Force**

It is the policy of Vishay Semiconductor GmbH to

1. Meet all present and future national and international statutory requirements.
2. Regularly and continuously improve the performance of our products, processes, distribution and operating systems with respect to their impact on the health and safety of our employees and the public, as well as their impact on the environment.

It is particular concern to control or eliminate releases of those substances into the atmosphere which are known as ozone depleting substances (ODSs).

The Montreal Protocol (1987) and its London Amendments (1990) intend to severely restrict the use of ODSs and forbid their use within the next ten years. Various national and international initiatives are pressing for an earlier ban on these substances.

Vishay Semiconductor GmbH has been able to use its policy of continuous improvements to eliminate the use of ODSs listed in the following documents.

1. Annex A, B and list of transitional substances of the Montreal Protocol and the London Amendments respectively
2. Class I and II ozone depleting substances in the Clean Air Act Amendments of 1990 by the Environmental Protection Agency (EPA) in the USA
3. Council Decision 88/540/EEC and 91/690/EEC Annex A, B and C (transitional substances) respectively.

Vishay Semiconductor GmbH can certify that our semiconductors are not manufactured with ozone depleting substances and do not contain such substances.

We reserve the right to make changes to improve technical design  
and may do so without further notice.

Parameters can vary in different applications. All operating parameters must be validated for each customer application by the customer. Should the buyer use Vishay Semiconductors products for any unintended or unauthorized application, the buyer shall indemnify Vishay Semiconductors against all claims, costs, damages, and expenses, arising out of, directly or indirectly, any claim of personal damage, injury or death associated with such unintended or unauthorized use.

Vishay Semiconductor GmbH, P.O.B. 3535, D-74025 Heilbronn, Germany



### Notice

Specifications of the products displayed herein are subject to change without notice. Vishay Intertechnology, Inc., or anyone on its behalf, assumes no responsibility or liability for any errors or inaccuracies.

Information contained herein is intended to provide a product description only. No license, express or implied, by estoppel or otherwise, to any intellectual property rights is granted by this document. Except as provided in Vishay's terms and conditions of sale for such products, Vishay assumes no liability whatsoever, and disclaims any express or implied warranty, relating to sale and/or use of Vishay products including liability or warranties relating to fitness for a particular purpose, merchantability, or infringement of any patent, copyright, or other intellectual property right.

The products shown herein are not designed for use in medical, life-saving, or life-sustaining applications. Customers using or selling these products for use in such applications do so at their own risk and agree to fully indemnify Vishay for any damages resulting from such improper use or sale.