

Kingbright

4.7mm HOUSING FOR LED LAMP WITH WIRE

PRELIMINARY SPEC

Part Number: WP1533AA/YD14V-W152 Yellow

Features

- OUTSTANDING MATERIAL EFFICIENCY.
- RELIABLE AND RUGGED.
- IC COMPATIBLE / LOW CURRENT CAPABILITY.
- UL RATING : 94V-0.
- HOUSING MATERIAL: TYPE 66 NYLON.
- 14V INTERNAL RESISTOR.
- RoHS COMPLIANT.

Description

The Yellow source color devices are made with Gallium Arsenide Phosphide on Gallium Phosphide Yellow Light Emitting Diode.

Package Dimensions

Fig.1 :

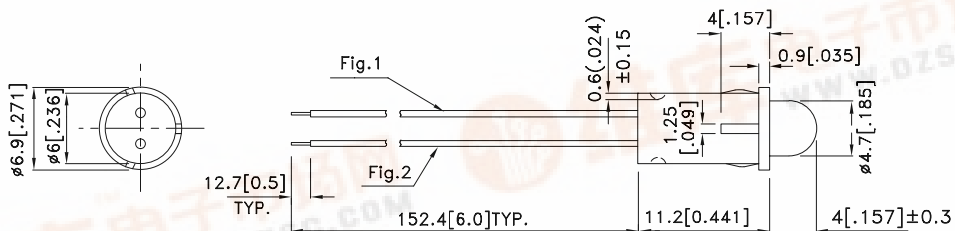
ANODE LEAD :RED INSULATION LEAD ,24 AWG ,UL#1007,ø1.45mm,
TIN OVERCOAT WIRE ,STRIP 12.7mm.

Fig. 2 :

CATHODE LEAD :BLACK INSULATION LEAD ,24 AWG,UL#1007 ,ø1.45mm,
TIN OVERCOAT WIRE ,STRIP 12.7mm.

Fig.3 :

STAKING TO FIX THE HOLDER AND LED .



Notes:

1. All dimensions are in millimeters (inches).
2. Tolerance is $\pm 0.25(0.01)$ " unless otherwise noted.
3. Lead spacing is measured where the leads emerge from the package.
4. Specifications are subject to change without notice.



Kingbright

Selection Guide

Part No.	Dice	Lens Type	Iv (mcd) [2] V= 14V		Viewing Angle [1]
			Min.	Typ.	2θ1/2
WP1533AA/YD14V-W152	Yellow (GaAsP/GaP)	YELLOW DIFFUSED	5	20	60°

Notes:

1. θ1/2 is the angle from optical centerline where the luminous intensity is 1/2 the optical centerline value.
2. Luminous intensity/ luminous Flux: +/-15%.

Electrical / Optical Characteristics at TA=25°C

Symbol	Parameter	Device	Typ.	Max.	Units	Test Conditions
λpeak	Peak Wavelength	Yellow	590		nm	V _F =14V
λD [1]	Dominant Wavelength	Yellow	588		nm	V _F =14V
Δλ1/2	Spectral Line Half-width	Yellow	35		nm	V _F =14V
I _F	Forward Current	Yellow	10.5	13.5	mA	V _F =14V
I _R	Reverse Current	Yellow		10	uA	V _R = 5V

Note:

- 1.Wavelength: +/-1nm.

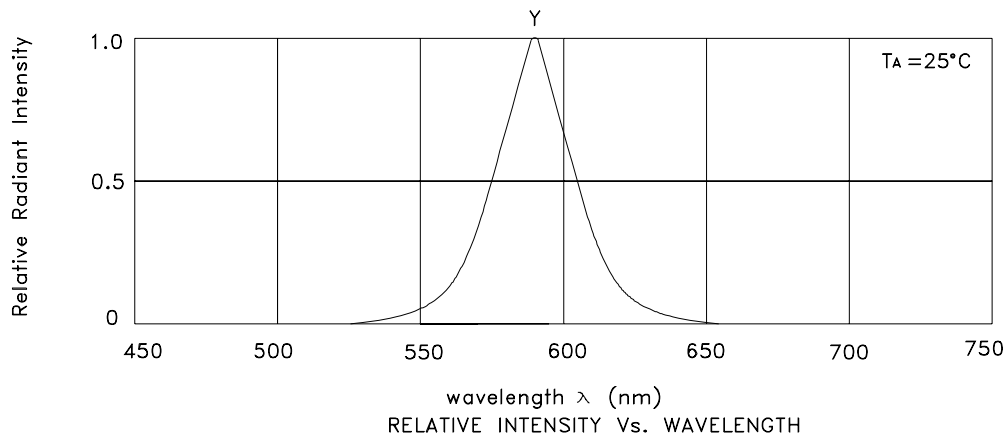
Absolute Maximum Ratings at TA=25°C

Parameter	Yellow	Units
Power dissipation	160	mW
Forward Voltage	16	V
Reverse Voltage	5	V
Operating Temperature	-40°C To +70°C	
Storage Temperature	-40°C To +85°C	
Lead Solder Temperature [1]	260°C For 3 Seconds	
Lead Solder Temperature [2]	260°C For 5 Seconds	

Notes:

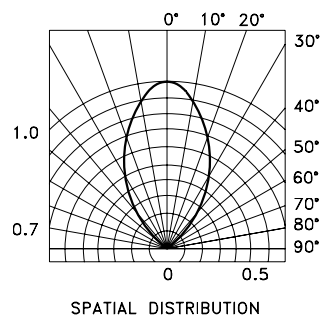
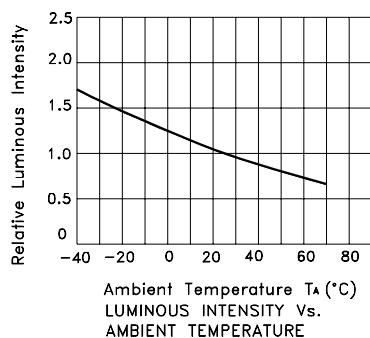
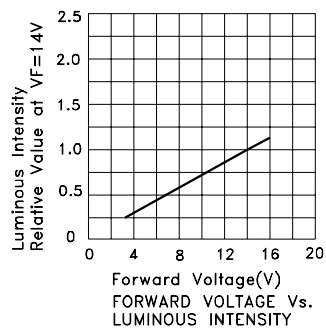
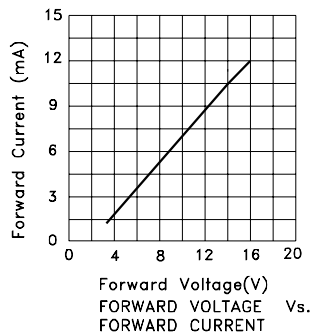
1. 2mm below package base.
2. 5mm below package base.

Kingbright



Yellow

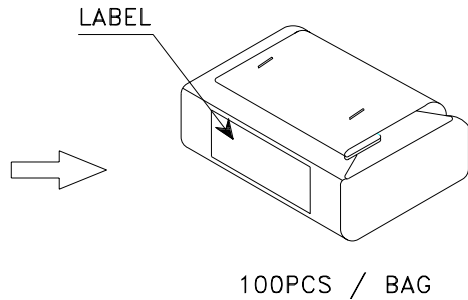
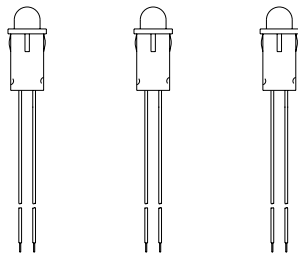
WP1533AA/YD14V-W152



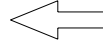
Kingbright

PACKING & LABEL SPECIFICATIONS

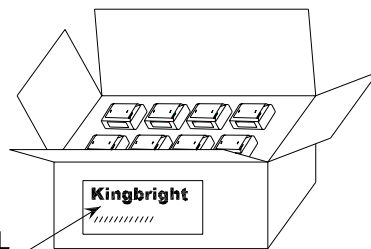
WP1533AA/YD14V-W152




OUTSIDE LABEL



OUTSIDE LABEL



Kingbright				
Q.C.	<table border="1"> <tr> <td style="text-align: center;">QC</td> </tr> <tr> <td style="text-align: center;">XX XX XX</td> </tr> <tr> <td style="text-align: center;">PASSED</td> </tr> </table>	QC	XX XX XX	PASSED
QC				
XX XX XX				
PASSED				
TYPE NO : WP1533AAxxx				
QUANTITY : 100 pcs				
S/N : XX	CODE: XX			
LOT NO : 				
RoHS Compliant				