

W83601R/G



W83601R
W83601G
Winbond GPI/O IC



Table of Contents-

1.	GENERAL DESCRIPTION	3
2.	FEATURES	3
3.	PACKAGE	3
4.	KEY SPECIFICATIONS	4
5.	PIN CONFIGURATION FOR W83601R/G	4
6.	PIN DESCRIPTION.....	5
6.1	W83601R/G Universal General Purpose I/O Port for I ² C BUS.....	5
7.	REGISTERS	6
7.1	BRIED OF REGISTER CONTENTS.....	6
7.2	W83601R/G REGISTER DESCRIPTIONS	7
8.	FUNCTION DESCRIPTIONS.....	11
8.1	ACCESS INTERFACE.....	11
8.1.1	Write a data into the W83601R/G register.....	11
8.1.2	Read a data from the W83601R/G register	11
8.2	GPI/O Output Mode:	12
8.2.1	GPO output	12
8.2.2	INT output.....	12
8.2.3	GPI interrupt status.....	12
9.	DC AND AC SPECIFICATION.....	13
9.1	Absolute Maximum Ratings	13
9.2	DC CHARACTERISTICS.....	13
9.3	AC CHARACTERISTICS	15
9.3.1	Serial Bus Timing Diagram	15
10.	TOP MARKING SPECIFICATION	16
11.	PACKAGE DRAWING AND DIMENSIONS.....	17
12.	REVISION HISTORY	18

W83601R/G



1. GENERAL DESCRIPTION

The W83601R/G are general purpose input/output ICs with SMBus™ (I²C). The W83601R/G provides 15 GPI/O pins. The W83601R/G provides SMBus™ (I²C) address setting pins to set the address during power-on reset or from external reset.

SMBus™ Address of the W83601R/G is:

0	0	1	1	A2	A1	A0	R/W
---	---	---	---	----	----	----	-----

The W83601R/G also provides an interrupt to inform the system that a transition occurs on General Purpose (GP) input pins.

2. FEATURES

- SMBus compliance with 3.3V voltage levels
- Two GPI/O ports which provides more flexibility
- Issue interrupts to notify the system that an event occurs
- GP output can be level or pulse mode
- Interrupt output can be in the level or pulse mode
- Internal power-on reset or external RST# pin reset
- Programmable POWER LED output

3. PACKAGE

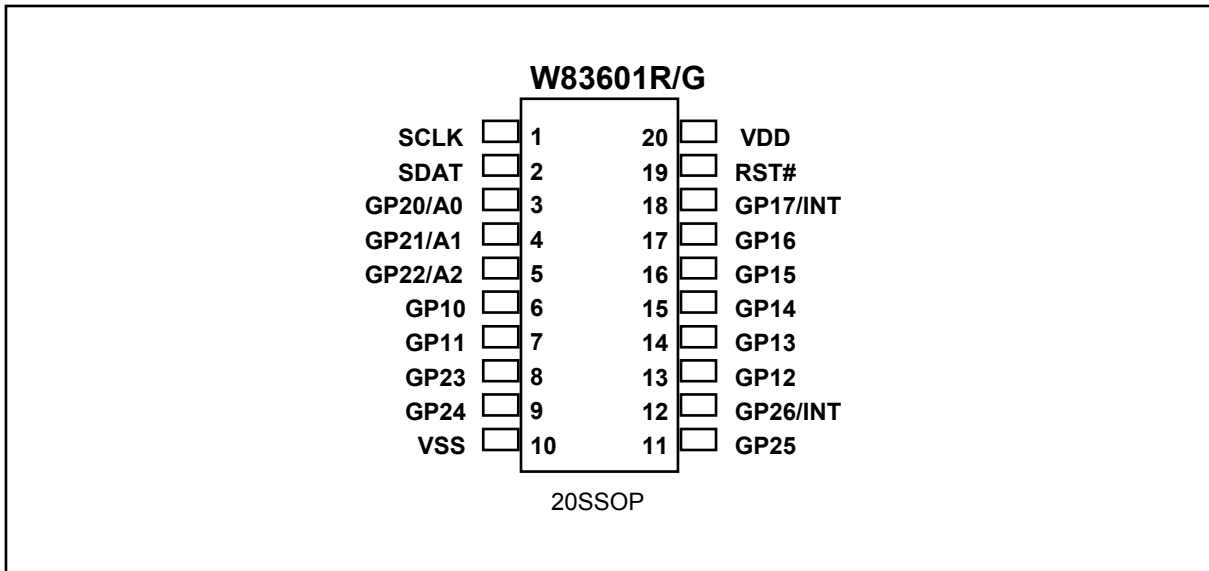
- The W83601R is 20-pin SSOP normal package.
- The W83601G is 20-pin SSOP Pb-free (RoHS compatible) package.



4. KEY SPECIFICATIONS

- Supply Voltage 5V
- Operating Supply Current 1 mA typ.
- Operating Temperature 0 - 70 °C

5. PIN CONFIGURATION FOR W83601R/G





6. PIN DESCRIPTION

I/OD _{24t}	- TTL level bi-directional pin open drain output with 24 mA sink capability
I/OD _{12ts}	- TTL level bi-directional pin open drain output with 12 mA sink capability and schmitt-trigger level input
I/O ₂₁	- CMOS level bi-directional pin with 21 mA source-sink capability
IN _t	- TTL level input pin
IN _{cd}	- CMOS level input pin with internal pull down resistor
IN _{ts}	- TTL level Schmitt-trigger input pin
OD ₂₄	- Open drain output pin with 24 mA sink capability

6.1 W83601R/G Universal General Purpose I/O Port for I²C BUS

PIN	SYMBOL	I/O	FUNCTION
1	SCL	IN _{ts}	SMBus Clock. (I ² C clock)
2	SDA	I/OD _{12ts}	SMBus bi-directional Data.(I ² C data)
3	GP20 A0	I/O ₂₁ IN _{cd}	General Purpose I/O. This pin is a setting pin for SMBus (I²C) address bit 0 during power-on reset or RST# pin reset.
4	GP21 A1	I/O ₂₁ IN _{cd}	General Purpose I/O. This pin is a setting pin for SMBus (I²C) address bit 1 during power-on reset or RST# pin reset.
5	GP22 A2	I/O ₂₁ IN _{cd}	General Purpose I/O. This pin is a setting pin for SMBus (I²C) address bit 2 during power-on reset or RST# pin reset.
6	GP10	I/OD _{24t}	General Purpose I/O default input.
7	GP11	I/OD _{24t}	General Purpose I/O default input.
8	GP23	I/OD _{24t}	General Purpose I/O default input.
9	GP24	I/OD _{24t}	General Purpose I/O default input.
10	VSS	PWR	Ground Pin.
11	GP25	I/OD _{24t}	General Purpose I/O default input.
12	GP26 INT	I/OD _{24t} OD ₂₄	General Purpose I/O default input. Auto-generate Interrupt signal when a transition on GPI inputs is detected. This interrupt is either on pin12 or pin18.
13	GP12	I/OD _{24t}	General Purpose I/O default input.
14	GP13	I/OD _{24t}	General Purpose I/O default input.
15	GP14	I/OD _{24t}	General Purpose I/O default input.
16	GP15	I/OD _{24t}	General Purpose I/O default input.
17	GP16	I/OD _{24t}	General Purpose I/O default input.
18	GP17 INT	I/OD _{24t} OD ₂₄	General Purpose I/O default input. Auto-generate Interrupt signal when a transition on GPI inputs is detected. This interrupt is either on pin12 or pin18
19	RST#	IN _{ts}	Reset signal input.
20	VDD	PWR	Power Pin.



7. REGISTERS

7.1 BRIEF OF REGISTER CONTENTS

INDEX	R/W	DEFAULT	REGISTERS DESCRIPTION
00h	R	-	GP Port 1: Input Port Data Register
01h	R/W	00	GP Port 1: Output Port Data Register
02h	R/W	f0	GP Port 1: Polarity Inversion Register
03h	R/W	ff	GP Port 1: Input/Output Configuration Register
04h	R/W	00	GP Port 1: Output style control Register.
05h	R	-	GP Port 1: Input Latched Data Register.
06-07h	-	-	Reserved Register
08h	R	-	GP Port 2: Input Port Register
09h	R/W	00	GP Port 2: Output Port Register
0Ah	R/W	70	GP Port 2: Polarity Inversion Register
0Bh	R/W	7f	GP Port 2: Input/Output Configuration Register
0Ch	R/W	00	GP Port 2: Output style control Register.
0Dh	R	-	GP Port 2: Input Latched Data Register.
0E-0Fh	-	-	Reserved Register
10h	R	00	GP Port 1: Interrupt Status Register.
11h	R	00	GP Port 2: Interrupt Status Register
12h	R/W	00	GP Port 1: Interrupt Enable Register
13h	R/W	00	GP Port 2: Interrupt Enable Register
14h	R/W	00	Mode Configuration Register
15h	R/W	00	Power LED Configuration Register
16-1Fh	-	-	Reserved Register
20h	R	60	Chip ID High Byte Register
21h	R	12	Chip ID Low Byte Register (W83601R/G)



7.2 W83601R/G REGISTER DESCRIPTIONS

CR00 (GP Port 1: Input port Data Register, Default 0x--, Read Only)

This register is a data port for input only. It reflects the incoming logic levels of the pins defined as an input mode by CR03. The data will be inverted by CR02.

Bit 7 ~ 0: GP17 ~ GP10 Input Data Port.

CR01 (GP Port 1: Output port Data Register, Default 0x00, Read/Write)

This register is a data port for output only. It reflects the outgoing logic levels of the pins defined as an output mode by CR03. This register will reflect the value of output Flip-flop during a read access. The output data style will be inverted or changed by CR02 or CR04.

Bit 7 ~ 0: GP17 ~ GP10 Output Data Port.

CR02 (GP Port 1: Polarity Inversion Register, Default 0xf0, Read / Write)

This register enables polarity inversion of pins defined as input or output by CR03.

When set to "1", the incoming/outgoing port value is inverted.

When set to "0", the incoming/outgoing port value is the same as in data register.

Bit 7 ~ 0: GP17 ~ GP10 Polarity Inversion Register.

CR03 (GP Port 1: Input/Output Configuration Register, Default 0xff, Read / Write)

This register selects Input or Output mode of pins.

When set to "1", respective GPIO port is programmed as an input port.

When set to "0", respective GPIO port is programmed as an output port.

Bit 7 ~ 0: GP17 ~ GP10 Input/Output Configuration Register.

CR04 (GP Port 1: Output Style Control Register, Default 0x00, Read / Write)

This register selects Output style of pins as level or pulse.

When set to "1", respective GPIO port is programmed as a pulse signal.

When set to "0", respective GPIO port is programmed as a level signal.

Bit 7 ~ 0: GP17 ~ GP10 Output Style Control Register.

CR05 (GP Port 1: Input latched data Register, Default 0x--, Read Only)

This register will latch Port 1 data while power on or RST# pin low, which is controlled by CR14h bit 0.

Bit 7 ~ 0: GP17 ~ GP10 Input latched data.

CR06-07 Reserved Register



CR08 (GP Port 2: Input port Data Register, Default 0x--, Read Only)

This register is a data port for input only. It reflects the incoming logic levels of the pins defined as an input mode by CR0B. The data will be inverted by CR0A.

Bit 7: Reserved.

Bit 6 ~ 0: GP26 ~ GP20 Input Data Port.

CR09 (GP Port 2: Output port Data Register, Default 0x00, Read / Write)

This register is a data port for output only. It reflects the outgoing logic levels of the pins defined as an output mode by CR0B. This register will reflect the value of output Flip-flop during a read access. The output data style will be inverted or changed by CR0A or CR0C.

Bit 7: Reserved.

Bit 7 ~ 0: GP26 ~ GP20 Output Data Port.

CR0A (GP Port 2: Polarity Inversion Register, Default 0x70, Read / Write)

This register enables polarity inversion of pins defined as input or output by CR0B.

When set to "1", the incoming/outgoing port value is inverted.

When set to "0", the incoming/outgoing port value is the same as in data register.

Bit 7: Reserved.

Bit 6 ~ 0: GP26 ~ GP20 Polarity Inversion Register.

CR0B (GP Port 2: Input/Output Configuration Register, Default 0x7f, Read / Write)

This register selects Input or Output mode of pins.

When set to "1", respective GPIO port is programmed as an input port.

When set to "0", respective GPIO port is programmed as an output port.

Bit 7: Reserved.

Bit 6 ~ 0: GP26 ~ GP20 Input/Output Configuration Register.

CR0C (GP Port 2: Output Style Control Register, Default 0x00, Read / Write)

This register selects Output style of pins as level or pulse.

When set to "1", respective GPIO port is programmed as a pulse signal.

When set to "0", respective GPIO port is programmed as a level signal.

Bit 7: Reserved.

Bit 6 ~ 0: GP26 ~ GP20 Output Style Control Register.

CR0D (GP Port 2: Input latched data Register, Default 0x--, Read Only)

This register will latch Port 2 data while power on or RST# pin low, which is controlled by CR14h bit 1.

Bit 7: Reserved.

Bit 6 ~ 0: GP26 ~ GP20 Input latched data, which bit 2-0 are SMBus address bit A2-A0.

CR0E-0F Reserved Register



CR10 (GP Port1: Interrupt Status Register, Default 0x00, Read Only)

Bit 7-0: = 1, a transition occurs on pin GP17-GP10.

If the interrupt function of GP17/INT is selected, bit 7 of this register will always be 0.

A read will clear this register.

CR11 (GP Port2: Interrupt Status Register, Default 0x00, Read Only)

Bit 7: = Reserved.

Bit 6-0: = 1, a transition occurs on pin GP26-GP20.

If the interrupt function of GP26/INT is selected, bit 6 of this register will always be 0.

A read will clear this register.

CR12 (GP Port 1: Interrupt Enable Register, Default 0x00, Read / Write)

Bit 7-0: = 0, disable GP17-GP10 interrupt output when the interrupt function is selected.

CR13 (GP Port 2: Interrupt Enable Register, Default 0x00, Read / Write)

Bit 7-5: = Reserved.

Bit 6-0: = 0, disable GP26-GP20 interrupt output when the interrupt function is selected.

CR14 Mode Configuration Register (Default 0x00, Read / Write)

Bit 7: = 1, Set GP/INT pin as INT function. 0: Set GP/INT pin as GP function.

Bit 6: = 1, Set INT function of GP26 (pin 12). 0: Set INT function at GP17 (pin 18).

Bit 5: = 1, Set INT output pin as pulse mode. 0: set INT output pin as level mode.

Bit 4: = 1, Set INT output pin polarity is 1 (normal high). 0: set INT output pin polarity to 0 (normal low).

This bit is only for the W83601R.

Bit 3: = 1, Port 2 (CR09h-CR0Ch, CR11h, CR13h) registers can be reset to default data by the RST# pin.
0, Port 2 (CR09h-CR0Ch) can not be reset by RST# pin.

Bit 2: = 1, Port 1 (CR01h-CR04h, CR10h, CR12h) registers can be reset to default data by the RST# pin.
0, Port 1 (CR01h-CR04h) can not be reset by RST# pin.

Bit 1: = 1, Port 2 CR0Dh can be latched by the RST# pin not only at the resetting instant but also in the power-on period. 0, Port 2 CR0Dh can be latched only in the power-on period.

Bit 0: = 1, Port 1 CR05h can be latched by the RST# pin not only at the resetting instant but also in the power-on period. 0, Port 1 CR05h can only be latched in the power-on period.



CR15 Power LED Configuration Register (Default 0x00, Read/Write)

Priority of LED function is highest.

Bit 7: = 1, Enable the LED function. 0, Disable the LED function.

When the LED function is enabled, GP function is ignored, no matter it is input or output.

Bit 6-4: LED frequency selection.

= 111, the LED pin is tri-state (OD pin) or driven high (O pin).

= 110, the LED pin is a 1 Hz toggle pulse with 50 duty cycle.

= 101, the LED pin is a 1/2 Hz toggle pulse with 50 duty cycle.

= 100, the LED pin is a 1/4 Hz toggle pulse with 50 duty cycle.

= 000, the LED pin is driven low.

Bit 3: GP port selection.

0, GP port 1 is set to the LED function if bit 7 is set to 1.

1, GP port 2 is set to the LED function if bit 7 is set to 1.

Bit 2-0: GP pin selection.

=110-000, GP16-GP10 can be selected as LED output when bit 3 is 0.

=101-011, GP25-GP23 can be selected as LED output when bit 3 is 1.

CR16-1F Reserved Register

CR20 (Chip ID High Byte, Read Only)

Bit 7-0: = 0x60.

CR21 (Chip ID Low Byte, Read Only)

Bit 7-0: = 0x13 (for the W83601R/G).

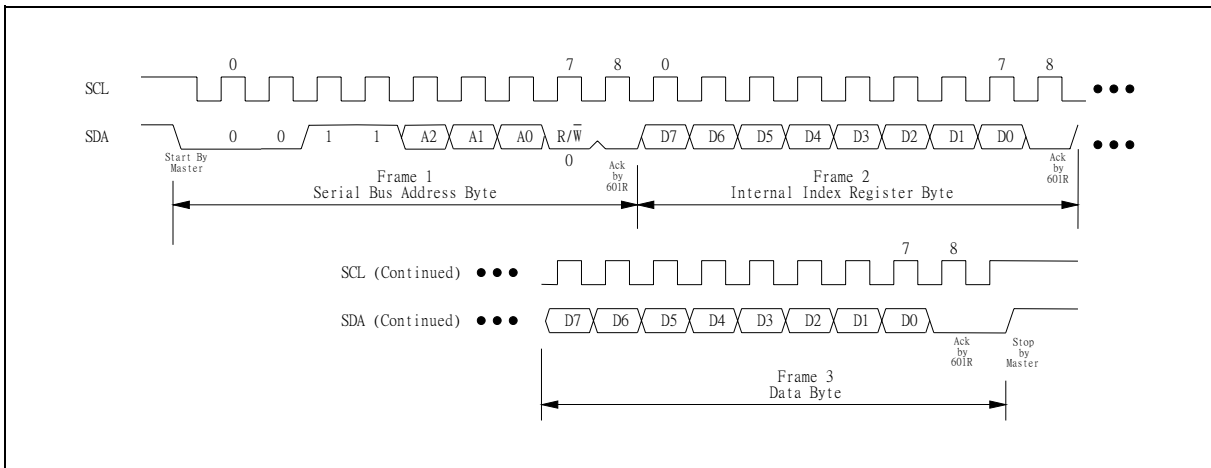


8. FUNCTION DESCRIPTIONS

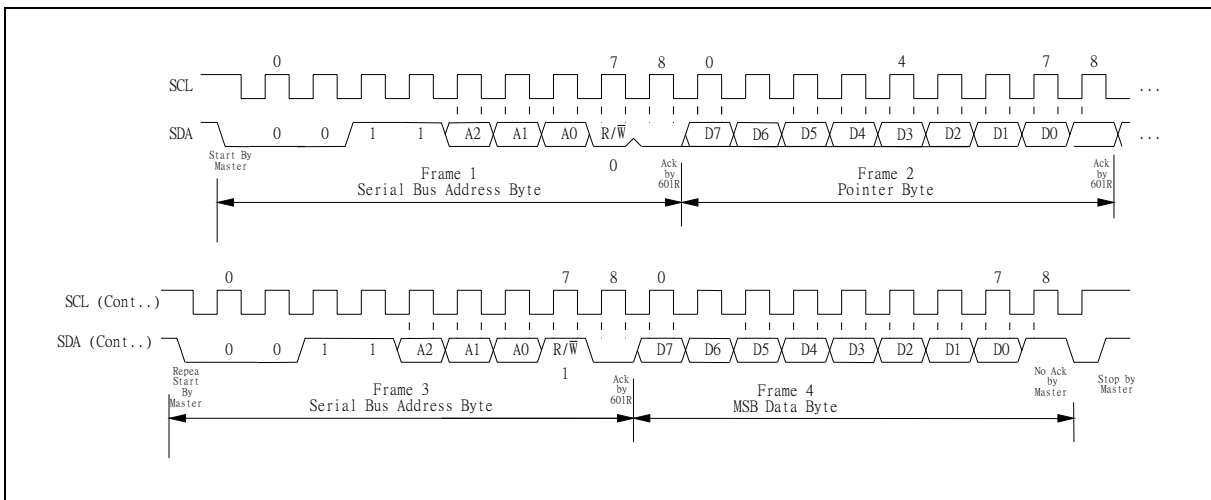
8.1 ACCESS INTERFACE

The W83601R/G provides a two-wired serial interface which is compliant with SMBus™ 1.0 Write Byte and Read Byte protocol.

8.1.1 Write a data into the W83601R/G register



8.1.2 Read a data from the W83601R/G register





8.2 GPI/O Output Mode:

8.2.1 GPO output

Two output modes for GPO. One is LEVEL and the other is PULSE.

GPO OUTPUT STYLE	POLARITY	OUTPUT PORT REGISTER	OUTPUT VALUE AT PIN	WAVE
Level	0	0	0	
		1	1	
	1	0	1	
		1	0	
Pulse	0	write 1	Active	
	1	write 1	Active	

8.2.2 INT output

There are two output modes for the INT pin. One is the LEVEL mode and the other is PULSE.

INT OUTPUT MODE	POLARITY	OUTPUT	WAVE
Level	0(normal low)	1	
	1(normal high)	0	
Pulse	0(normal low)	High Pulse	
	1(normal high)	Low Pulse	

In the Level mode, if INT is activated, it will be de-activated when the interrupt status registers are read.

In the Pulse mode, interrupt will be activated again unless all of the enabled interrupt status registers are read.

8.2.3 GPI interrupt status

Once a transition occurs on the GPI input pins, the interrupt status registers (CR10, CR11) will be set. At the same time, if the interrupt function is enabled, the INT pin will generate an interrupt. Reading these interrupt registers will clear themselves and reset the interrupt. If an interrupt occurs but the interrupt status registers are not read, the interrupt will not be generated again.



9. DC AND AC SPECIFICATION

9.1 Absolute Maximum Ratings

PARAMETER	RATING	UNIT
Power Supply Voltage	-0.5 to 7.0	V
Input Voltage	-0.5 to V _{DD} +0.5	V
Operating Temperature	0 to +70	° C
Storage Temperature	-55 to +150	° C

Note: Exposure to conditions beyond those listed under Absolute Maximum Ratings may adversely affect the life and reliability of the device.

9.2 DC CHARACTERISTICS

(T_a = 0° C to 70° C, V_{DD} = 5V ± 5%, V_{SS} = 0V)

PARAMETER	SYM.	MIN.	TYP.	MAX.	UNIT	CONDITIONS
I/OD_{12ts} - TTL level bi-directional pin open drain with source-sink capability of 12 mA and schmitt-trigger level input						
Input Low Threshold Voltage	V _{t-}	0.5	0.8	1.1	V	V _{DD} = 5 V
Input High Threshold Voltage	V _{t+}	1.6	2.0	2.4	V	V _{DD} = 5 V
Hysteresis	V _{TH}	0.5	1.2		V	V _{DD} = 5 V
Output Low Voltage	V _{OL}			0.4	V	I _{OL} = 12 mA
Input High Leakage	I _{LIH}			+10	μA	V _{IN} = V _{DD}
Input Low Leakage	I _{LIL}			-10	μA	V _{IN} = 0V
IN_t - TTL level input pin						
Input Low Voltage	V _{IL}			0.8	V	
Input High Voltage	V _{IH}	2.0			V	
Input High Leakage	I _{LIH}			+10	μA	V _{IN} = V _{DD}
Input Low Leakage	I _{LIL}			-10	μA	V _{IN} = 0 V
IN_{ts} - TTL level Schmitt-triggered input pin						
Input Low Threshold Voltage	V _{t-}	0.5	0.8	1.1	V	V _{DD} = 5 V
Input High Threshold Voltage	V _{t+}	1.6	2.0	2.4	V	V _{DD} = 5 V
Hysteresis	V _{TH}	0.5	1.2		V	V _{DD} = 5 V
Input High Leakage	I _{LIH}			+10	μA	V _{IN} = V _{DD}
Input Low Leakage	I _{LIL}			-10	μA	V _{IN} = 0 V



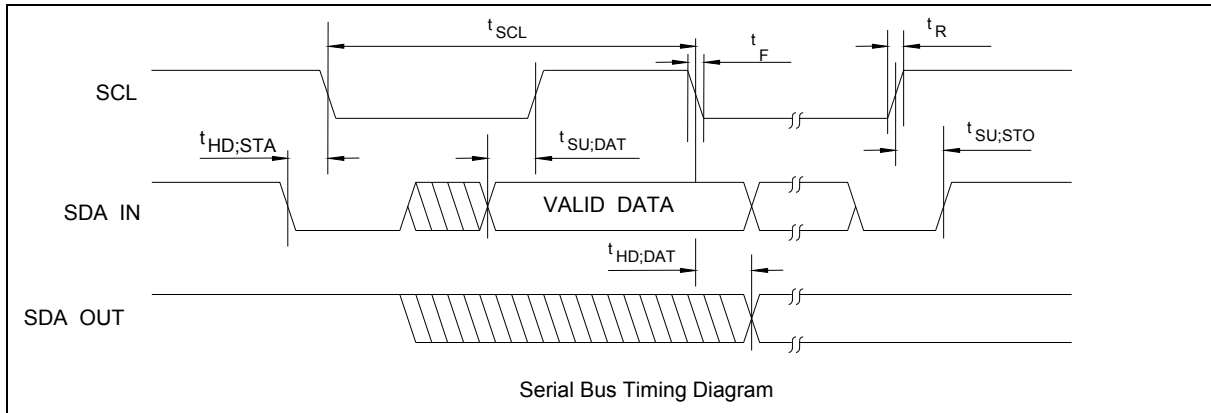
DC Characteristics, continued

PARAMETER	SYM.	MIN.	TYP.	MAX.	UNIT	CONDITIONS
IN_{cd} - CMOS level input pin with internal pull down						
Input Low Voltage	V _{IL}			0.3 V _{DD}	V	V _{DD} = 5 V
Input High Voltage	V _{IH}	0.7V _{DD}			V	V _{DD} = 5 V
Input High Leakage	I _{LIH}			+10	μA	V _{IN} = V _{DD}
Input Low Leakage	I _{LIL}			-10	μA	V _{IN} = 0 V
I/O₂₁ - CMOS level bi-direction pin with 21mA source-sink capability						
Input Low Voltage	V _{IL}			0.3 V _{DD}	V	V _{DD} = 5 V
Input High Voltage	V _{IH}	0.7V _{DD}			V	V _{DD} = 5 V
Output Low Voltage	V _{OL}			0.4	V	I _{OL} = 21 mA
Output High Voltage	V _{OH}	3.5			V	I _{OH} = 21 mA
Input High Leakage	I _{LIH}			+10	μA	V _{IN} = V _{DD}
Input Low Leakage	I _{LIL}			-10	μA	V _{IN} = 0 V
I/OD_{24t} - TTL level bi-direction pin open-drain output with 24mA sink capability						
Input Low Voltage	V _{IL}			0.8	V	
Input High Voltage	V _{IH}	2.0			V	
Output Low Voltage	V _{OL}			0.4	V	I _{OL} = 24 mA
Input High Leakage	I _{LIH}			+10	μA	V _{IN} = 5 V
Input Low Leakage	I _{LIL}			-10	μA	V _{IN} = 0 V
OD₂₄ - open-drain output pin with 24mA sink capability						
Input Low Voltage	V _{IL}			0.4	V	I _{OL} = 24 mA



9.3 AC CHARACTERISTICS

9.3.1 Serial Bus Timing Diagram



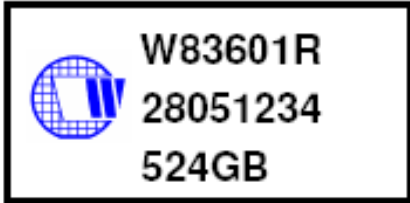
Serial Bus Timing

PARAMETER	SYMBOL	MIN.	MAX.	UNIT
SCL clock period	t_{SCL}	10		uS
Start condition hold time	$t_{HD;STA}$	4.7		uS
Stop condition setup-up time	$t_{SU;STO}$	4.7		uS
DATA to SCL setup time	$t_{SU;DAT}$	120		nS
DATA to SCL hold time	$t_{HD;DAT}$	5		nS
SCL and SDA rise time	t_R		1.0	uS
SCL and SDA fall time	t_F		300	nS

W83601R/G



10. TOP MARKING SPECIFICATION



Left line : Winbond logo

1st line : Part number : W83601R

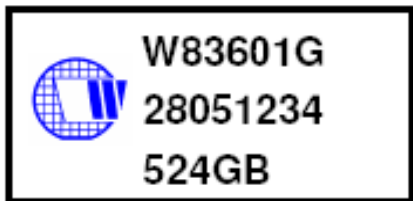
2nd line : Chip lot no.

3rd line : Tracking code

524 : Package assembled in Year 05', week 24

G : Assembly house ID

B : the IC version



Left line : Winbond logo

1st line : Part number : W83601G, Pb-free part.

2nd line : Chip lot no.

3rd line : Tracking code

524 : Package assembled in Year 05', week 24

G : Assembly house ID

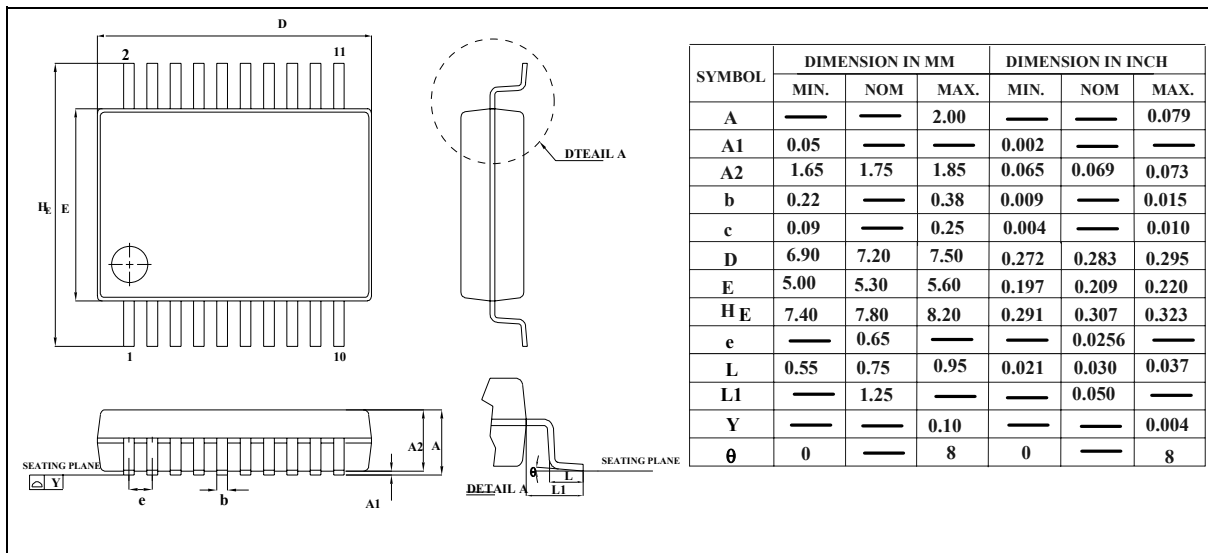
B : the IC version

W83601R/G



11. PACKAGE DRAWING AND DIMENSIONS

20 SSOP-209 mil





12. REVISION HISTORY

VERSION	DATE	PAGE	DESCRIPTION
		n.a.	All the version before 0.30 are for internal use.
0.3	99/08	n.a.	First publication.
0.31	99/08	P.4,5 P.6 P.10 P.13	Change Pin Description of W83601R pin 3,4,5. Change Pin Description of W83602R pin 3,4. Update Register Table. CR16 is a reserved register. Please ignore it. Change INT output description.
0.32	99/09	P.10	CR15 bit 3 description.
0.33	01/02	P.11	Insert 8.1 section – Access interface
0.34	01/02	P.10	Update CR21 Chip ID.
0.35	01/03	P.4	Update pin characteristic. Update application schematic to version 0.3.
0.4	01/06	P.15	Add chapter 9 DC and AC specification.
0.5	01/08	P.15	Update chapter 9.2 DC specification
0.6	05/04	n.a.	Add Pb-free package
1.0	05/26	P.20	ADD Important Notice
1.1	05/12	P.3; P.18~19	Add Pb-free package description, and top marking description.
1.2	Dec 12, 2007		Remove the W83602R/G, it's not recommend for new design.

W83601R/G



Important Notice

Winbond products are not designed, intended, authorized or warranted for use as components in systems or equipment intended for surgical implantation, atomic energy control instruments, airplane or spaceship instruments, transportation instruments, traffic signal instruments, combustion control instruments, or for other applications intended to support or sustain life. Further more, Winbond products are not intended for applications wherein failure of Winbond products could result or lead to a situation wherein personal injury, death or severe property or environmental damage could occur.

Winbond customers using or selling these products for use in such applications do so at their own risk and agree to fully indemnify Winbond for any damages resulting from such improper use or sales.

*Please note that all data and specifications are subject to change without notice.
All the trademarks of products and companies mentioned in this datasheet belong to their respective owners.*