

XC2311 Series

VCXO ICs with Built-in Variable Capacitor



- ◆ Power Supply Voltage Range: 2.6V~ 3.6V
- ◆ Operating Frequency Range : 16MHz~50MHz (varies with version)
- ◆ Supply Current : 3mA (TYP.) (when VDD is 3.6V, 27MHz and output is enable)
- ◆ CMOS Output
- ◆ Ultra Small Packages : SOT-26, USP-6C SOP-8
- ◆ Chip Form

APPLICATIONS

- VCXO modules
- Communication equipment

GENERAL DESCRIPTION

The XC2311 Series is VCXO (Voltage Controlled Crystal Oscillator) ICs with built-in variable capacitor diode.

With the originally developed variable capacitor diode and a constant-voltage circuit built-in, the series achieves the wide variable frequency range, frequency stability to supply voltage and low power consumption.

By combining with the AT-cut crystal oscillator, the ultra small and highly accurate Frequency Voltage Controlled Crystal Oscillator of 16 to 50MHz can be formed.

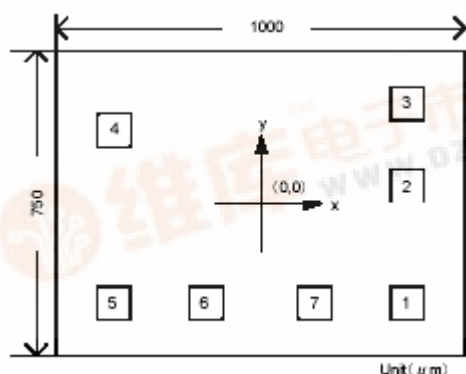
The small SOT-26, USP-6C, and SOP-8 packages make high density mounting possible.

FEATURES

- Supply Voltage Range** : 2.6V ~ 3.6V
- Output Frequency Range** : 16MHz ~ 50MHz
Version : V2B0 = 16MHz~36MHz, V3B0 = 30MHz~50MHz *)
- Pull Range** : more than ± 110 ppm
Condition : XC2311V2B0xx, Vc = 1.65V \pm 1.35V
- Output Waveform Symmetry** : 50% / ± 5 %
- Operating Ambient Temperature** : - 40°C ~ +85°C
- Ultra Small Packages** : SOT-26, USP-6C, SOP-8
- Chip Form** : Chip size 1000 x 750um

* Please refer to the Electrical Characteristics for versions' details.

CHIP PAD LAYOUT



PAD COORDINATE

PAD NAME	PAD No.	X (um)	Y (um)
VC	1	359	-244
OE (/INH)	2	359	44
VSS	3	359	244
OUT(Q)	4	359	179
VDD	5	-359	-244
X2	6	-132	-244
X1	7	132	-244

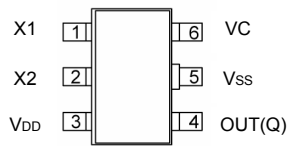
* The coordinate origin of XY-coordinate is a chip center.

Pad Size	80 x 80 um
Chip Thickness	200 \pm 20um

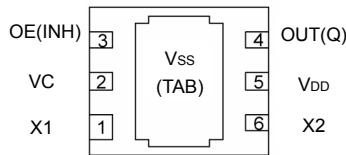


XC2311 Series

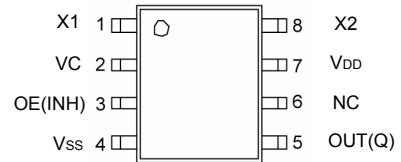
PIN CONFIGURATION



SOT-26
(TOP VIEW)



USP-6C
(BOTTOM VIEW)



SOP-8
(TOP VIEW)

PIN ASSIGNMENT

●SOP-8

PIN NUMBER	PIN NAME	I/O	FUNCTIONS
1	X1	I	Crystal Oscillator Connection (Input)
2	Vc	I	Oscillation Frequency Control Input
3	OE (/INH)	I	Output Control Input
4	VSS	-	(-) Ground
5	OUT (Q)	O	Output
6	NC	-	No Connection
7	VDD	-	(+) Power Supply
8	X2		Crystal Oscillator Connection (Output)

●SOT-26 Note : No OE (/INH) function available.

PIN NUMBER	PIN NAME	I/O	FUNCTIONS
1	X1	I	Crystal Oscillator Connection (Input)
2	X2		Crystal Oscillator Connection (Output)
3	VDD	-	(+) Power Supply
4	OUT (Q)	O	Output
5	VSS	-	(-) Ground
6	Vc	I	Oscillation Frequency Control Input

●USP-6C

PIN NUMBER	PIN NAME	I/O	FUNCTIONS
1	X1	I	Crystal Oscillator Connection (Input)
2	Vc	I	Oscillation Frequency Control Input
3	OE (/INH)	I	Output Control Input
TAB	VSS	-	(-) Ground
4	OUT (Q)	O	Output
5	VDD	-	(+) Power Supply
6	X2	-	Crystal Oscillator Connection (Output)

OE (/INH), OUT (Q) PIN FUNCTION

OE (/INH)	OUT (Q)
"H" or OPEN	Clock Output
"L"	High Impedance

■ PRODUCT INFORMATION

● Ordering Information

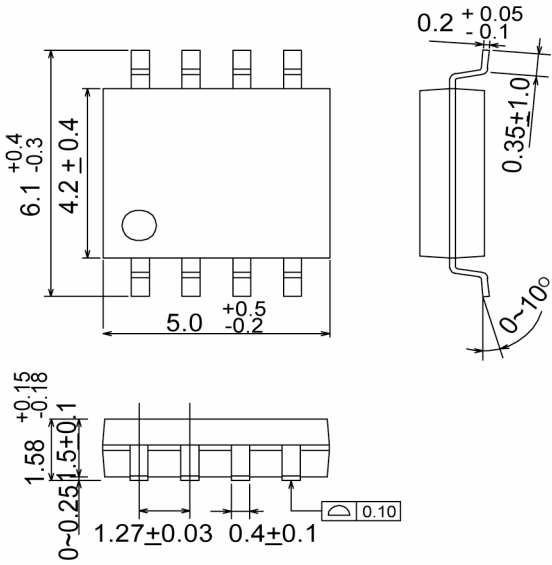
XC2311①②③④⑤⑥

DESIGNATOR	DESCRIPTION	SYMBOL	DESCRIPTION
①	VCXO product	V	: Fixed number
②	Oscillation Frequency	2	: 16MHz ~ 36MHz
		3	: 30MHz ~ 50MHz
③	-	B	: Fixed number
④	-	0	: Fixed number
⑤	Package	S	: SOP-8
		M	: SOT-26
		E	: USP-6C
		C	: Chip form
⑥	Device Orientation	R	: Embossed tape, standard feed
		L	: Embossed tape, reverse feed
		T	: Chip tray

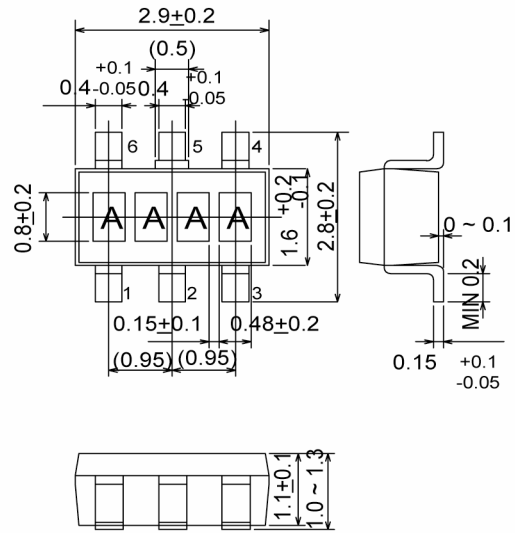
XC2311 Series

PACKAGING INFORMATION

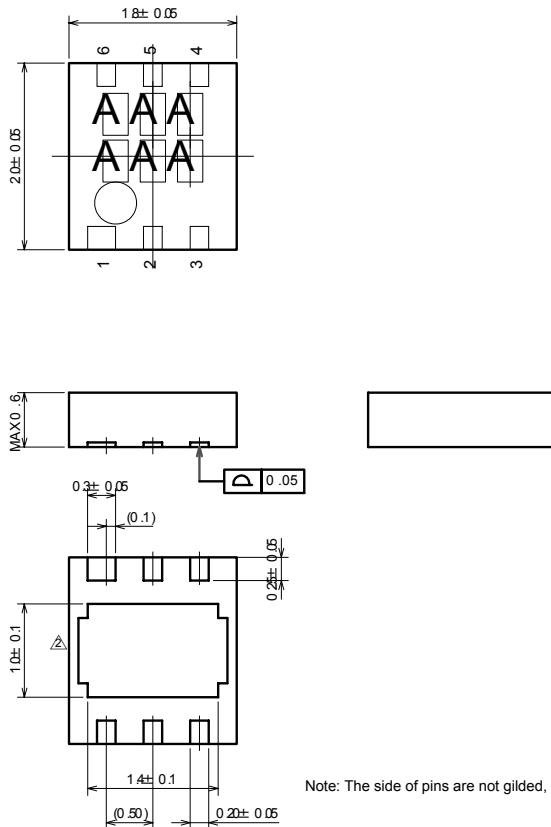
● SOP-8



● SOT-26



● USP-6C



Note: The side of pins are not gilded, but nickel is used.

MARKING RULE

● SOP-8

① ② Represents product series

MARK		PRODUCT SERIES
①	②	
2	1	XC2311xxxxx

③ Represents VCXO product

MARK	PRODUCT SERIES
V	XC2311Vxxxxx

④ Represents oscillation frequency range

MARK	FREQUENCY RANGE	PRODUCT SERIES
2	16MHz ~ 36MHz	XC2311x2xxxx
3	30MHz ~ 50MHz	XC2311x3xxxx

⑤ Represents operating voltage range

MARK	OPERATING VOLTAGE RANGE	PRODUCT SERIES
B	2.6V ~ 3.6V	XC2311xxBxxx

⑥ Represents divider circuit

MARK	DIVIDER CIRCUIT	PRODUCT SERIES
0	No Divider	XC2311xxx0xx

⑦ Represents last digit of production year

ex)

MARK	YEAR
5	2005
6	2006

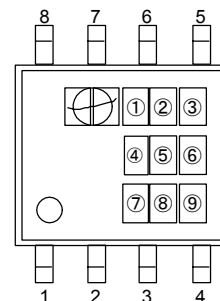
⑧ ⑨ Represents production lot number

0 to 9, A to Z repeated (G, I, J, O, Q, W excepted.)

Note: No character inversion used.

ex)

MARK		PRODUCTION LOT NUMBER
⑧	⑨	
-	3	03
1	A	A



SOP-8
(TOP VIEW)

XC2311 Series

MARKING RULE (Continued)

●SOT-26

① Represents oscillation frequency range

MARK	FREQUENCY RANGE	PRODUCT SERIES
L	16MHz ~ 36MHz	XC2311x2xxxx
M	30MHz ~ 50MHz	XC2311x3xxxx

② Represents operating voltage range

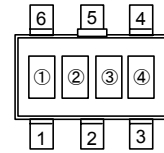
MARK	OPERATING VOLTAGE RANGE	PRODUCT SERIES
B	2.6V ~ 3.6V	XC2311xxBxxx

③ Represents divider circuit

MARK	DIVIDER CIRCUIT	PRODUCT SERIES
0	No Divider	XC2311xxx0xx

④ Represents production lot number

0 to 9, A to Z, reverse character 0 to 9, A to Z repeated (G, I, J, O, Q, W excepted.)



SOT-26
(TOP VIEW)

●USP-6C

①② Represents product series

MARK		PRODUCT SERIES
①	②	
2	1	XC2311xxxxxx

③ Represents oscillation frequency range

MARK	FREQUENCY RANGE	PRODUCT SERIES
2	16MHz~36MHz	XC2311x2xxxx
3	30MHz~50MHz	XC2311x3xxxx

④ Represents operating voltage range

MARK	OPERATING VOLTAGE RANGE	PRODUCT SERIES
B	2.6V~3.6V	XC2311xxBxxx

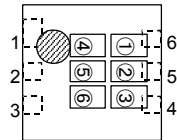
⑤ Represents divider circuit

MARK	DIVIDER CIRCUIT	PRODUCT SERIES
0	No Divider	XC2311xxx0xx

⑥ Represents production lot number

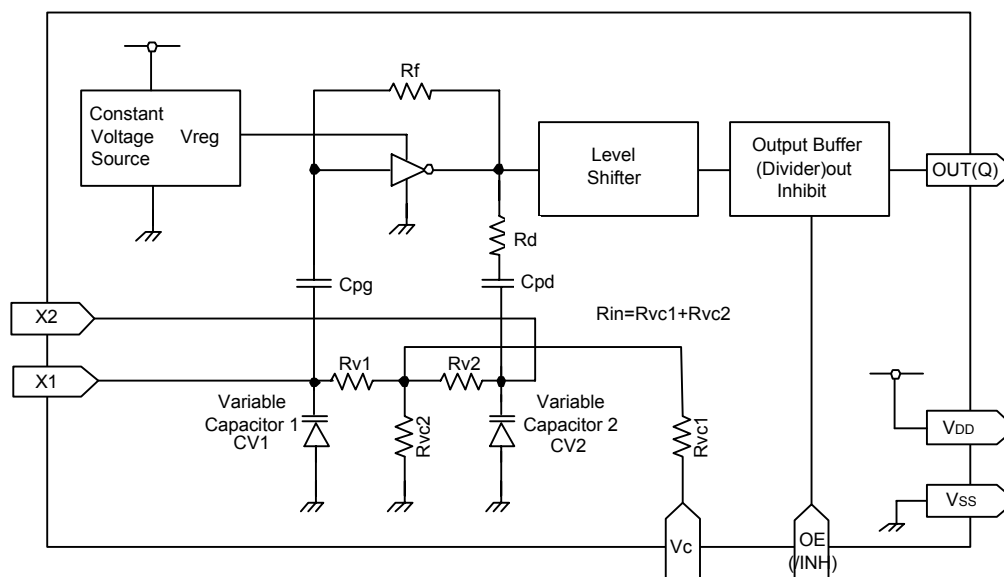
0 to 9, A to Z repeated (G, I, J, O, Q, W excepted.)

Note: No character inversion used.



USP-6C
(TOP VIEW)

■ BLOCK DIAGRAM



■ ABSOLUTE MAXIMUM RATINGS

V_{SS}=0V, T_a=25°C

PARAMETER	SYMBOL	RATINGS			UNIT
		MIN.	TYP.	MAX.	
Supply Voltage	V _{DD}	V _{SS} -0.5	-	+7.0	V
Input Voltage	V _{IN}	V _{SS} -0.5	-	V _{DD} +0.5	V
Output Voltage	V _{OUT}	V _{SS} -0.5	-	V _{DD} +0.5	V
Output Current	I _{OUT}	-	-	30	mA
Power Dissipation	SOP-8	300			mW
	SOT-26	250			
	USP-6C	100			
Operating Ambient Temperature	T _{opr}	-40	-	+85	°C
Storage Temperature Range	T _{stg}	-55	-	+125	°C

■ RECOMMENDED OPERATING CONDITIONS

● XC2311VxB0 Series

Recommended Operating Conditions : V_{SS} = 0V, T_a = -40°C ~ +85°C

Unless otherwise stated, the item is common in XC2311V2B0 or XC2311V3B0.

PARAMETER	SYMBOL	CONDITIONS	RATINGS			UNIT
			MIN.	TYP.	MAX.	
Operating Supply Voltage	V _{DD}	-	2.6	3.3	3.6	V
"H" Level Input Voltage	V _{IH}	OE (/INH) Pin	0.7 x V _{DD}	-	-	V
"L" Level Input Voltage	V _{IL}	OE (/INH) Pin	-	-	0.3 x V _{DD}	V
Input Voltage	V _{IN}	OE (/INH) Pin	V _{SS}	-	V _{DD}	V
Control Voltage	V _C	2.6V ≤ V _{DD} ≤ 3.6V	0	-	V _{DD} + 1.0	V
Oscillation Frequency Range	f ₀	XC2311V2B0	16	-	36	MHz
		XC2311V3B0	30	-	50	MHz

XC2311 Series

■ ELECTRICAL CHARACTERISTICS

● XC2311VxB0 Series

Condition : Unless otherwise stated, $V_{SS} = 0V$, $V_{DD} = 3.3V$, $V_C = 1.65V$, $T_a = 25^\circ C$ and the item is common in XC2311V2B0 or XC2311V3B0.

PARAMETER	SYMBOL	CONDITIONS	RATINGS			UNIT
			MIN.	TYP.	MAX.	
Pull Range	fcntr	$V_C = 1.65 \pm 1.35V$ (*1), XC2311V2B0, 27MHz	± 110	-	-	ppm
		$V_C = 1.65 \pm 1.35V$ (*1), XC2311V3B0, 47MHz	± 100	-	-	
Operating Supply Current	IDD1	XC2311V2B0, $V_{DD}=3.6V$, fosc=27MHz, CL=15pF	-	3.0	5.0	mA
		XC2311V3B0, $V_{DD}=3.6V$, fosc=47MHz, CL=15pF	-	6.0	12.0	
Supply Current Disable (*3)	IDD2	fosc=27MHz, CL=15pF, OE(/INH)= "L"	-	1.0	2.0	mA
		fosc=47MHz, CL=15pF, OE(/INH)= "L"	-	1.5	3.0	
"H" Level Output Voltage	VOH	IOH = -5mA	$V_{DD}-0.4$	-	-	V
"L" Level Output Voltage	VOL	IOL = 5mA	-	-	0.4	V
Input Pull-up Resistance	Rup	OE(/INH) = 0V	1.0	2.5	5.0	M Ω
Output Off Leak Current (*3)	Ioz	$V_{DD} = 3.6V$, OE(/INH) = "L"	-	-	10	μA
Output Waveform Symmetry	DUTY	CL = 15pF	45	50	55	%
Input Resistance (*2)	Rin	Between the V_C and the Ground pins	100	-	-	k Ω
Pull Range Linearity (*2)	Lin	$V_C = 1.65 \pm 1.35V$ (*1)	-	-	10	%
Cut-off Frequency at Modulation (*2)	fc	$V_C = 1.65 \pm 1.35V$ (*1), Sine wave input	15	-	-	kHz
Output Rise Time (*2)	tr	XC2311V2B0, CL = 15pF (from 10% to 90%)	-	4.5	-	ns
		XC2311V3B0, CL = 15pF (from 10% to 90%)	-	3.0	-	
Output Fall Time (*2)	tf	XC2311V2B0, CL = 15pF (from 10% to 90%)	-	4.5	-	ns
		XC2311V3B0, CL = 15pF (from 10% to 90%)	-	3.0	-	
Output Enable Delay Time (*2), (*3)	tpe	-	-	-	100	ns
Output Disable Delay Time (*2), (*3)	tpd	-	-	-	100	ns
Oscillation Start-up Time (*2)	tstart	-	-	1.5	-	ms
Feedback Resistance (*2)	Rf	-	-	100	-	k Ω
DC Block Capacity (*2)	Cpg	-	13	16	19	pF
DC Block Capacity (*2)	Cpd	-	40	50	60	pF
Output Load Capacity (*2)	CL	XC2311V2B0, CMOS level	-	15	30	pF
		XC2311V3B0, CMOS level	-	-	15	

NOTE:

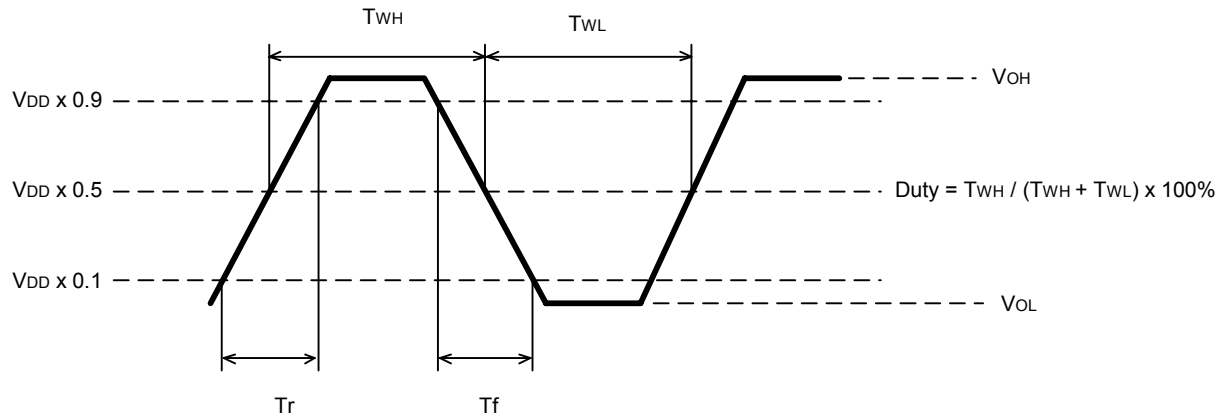
*1: Crystal Oscillator Equivalent Parameter, $\gamma = CO/C1 < 300$

*2: The value shown above indicates a design value.

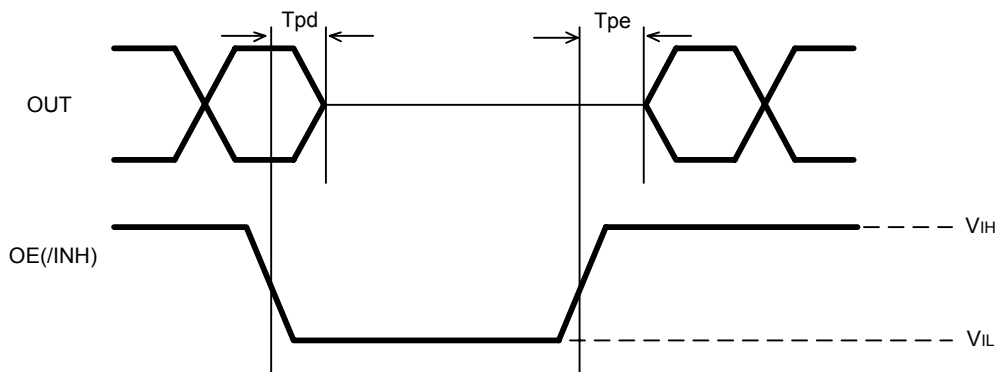
*3: For the SOT-26 package products, the OE (/INH) pin is fixed by an internal pull-up. No OE (/INH) function available.

■ OUTPUT WAVEFORMS (Duty, Tr, Tf, Tpe, Tpd)

Duty / Tr, Tf: Output Duty, Output Rise / Fall Time



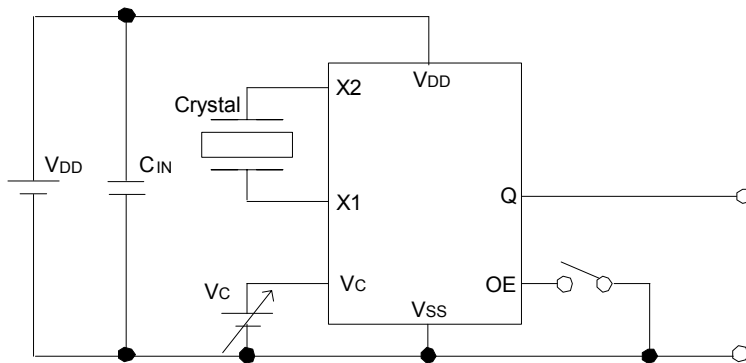
Tpe / Tpd: Output Enable / Disable Time



XC2311 Series

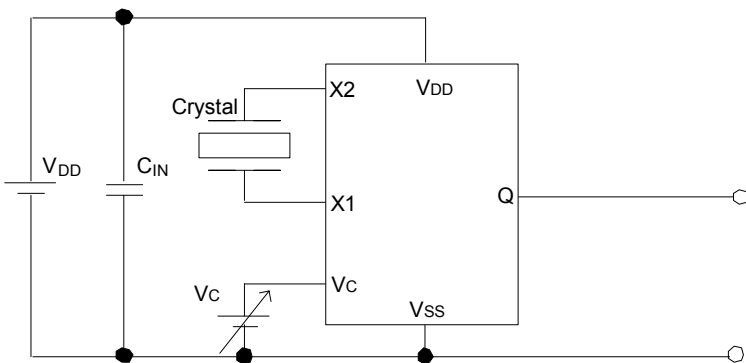
■ TYPICAL APPLICATION CIRCUITS

1) SOP-8 and USP-6C



*) Please mount the C_{IN} in a near position from both the V_{DD} and the V_{SS} pins as much as possible.

2) SOT-26



*) Please mount the C_{IN} in a near position from both the V_{DD} and the V_{SS} pins as much as possible.

■ NOTE ON USE

The content described in this data sheet might be changed without an advance notice.
Please contact Torex, sales offices, or representatives to make the inquiry of latest information.

1. The products and product specifications contained herein are subject to change without notice to improve performance characteristics. Consult us, or our representatives before use, to confirm that the information in this catalog is up to date.
2. We assume no responsibility for any infringement of patents, patent rights, or other rights arising from the use of any information and circuitry in this catalog.
3. Please ensure suitable shipping controls (including fail-safe designs and aging protection) are in force for equipment employing products listed in this catalog.
4. The products in this catalog are not developed, designed, or approved for use with such equipment whose failure or malfunction can be reasonably expected to directly endanger the life of, or cause significant injury to, the user.
(e.g. Atomic energy; aerospace; transport; combustion and associated safety equipment thereof.)
5. Please use the products listed in this catalog within the specified ranges.
Should you wish to use the products under conditions exceeding the specifications, please consult us or our representatives.
6. We assume no responsibility for damage or loss due to abnormal use.
7. All rights reserved. No part of this catalog may be copied or reproduced without the prior permission of Torex Semiconductor Ltd.

TOREX SEMICONDUCTOR LTD.