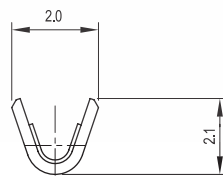
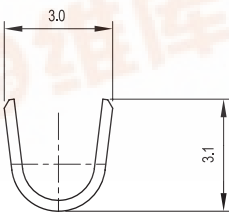
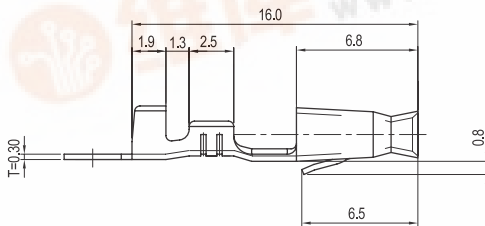
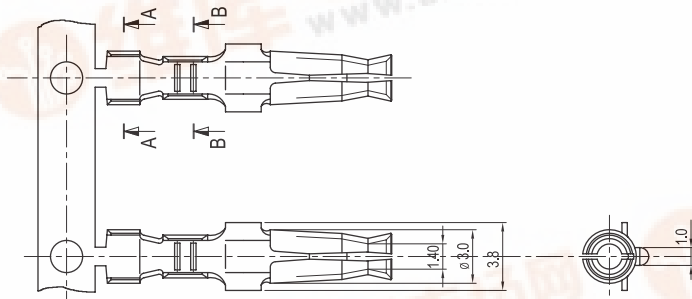
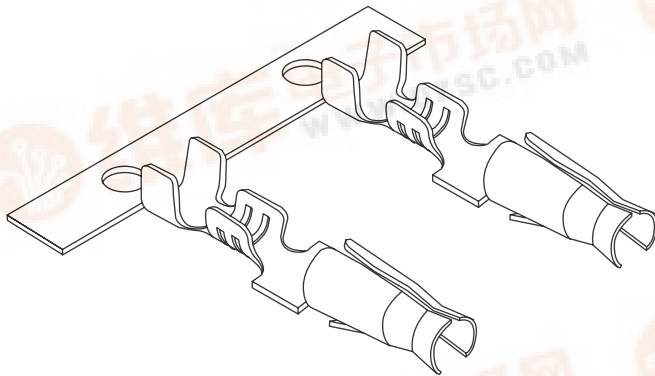


5.00mm (0.196") PITCH CONNECTOR

Dy Connector
Crimp Terminal

YDST157

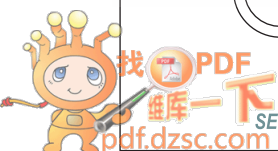


Material

I/NO	DESCRIPTION	TITLE	AWG	MATERIAL	FINISH
1	TERMINAL	YDST157	#24~#20	Brass	Tin-Plated

Specification

ITEM	SPEC
Voltage Rating	AC/DC 250V
Current Rating	AC/DC 5A
Operating Temperature	-25°C~+85°C
Contact Resistance	30mΩ MAX
Withstanding Voltage	AC1500V/1min
Insulation Resistance	1000MΩ MIN
Applicable Wire	AWG #20~#24
Applicable P.C.B	-
Applicable FPC/FFC	-
Solder Height	-
Crimp Tensile Strength	AWG #20 : 3.5kgfMIN AWG #22 : 3.0kgfMIN AWG #24 : 2.5kgfMIN
UL FILE NO	-



SECTION A-A

SECTION B-B