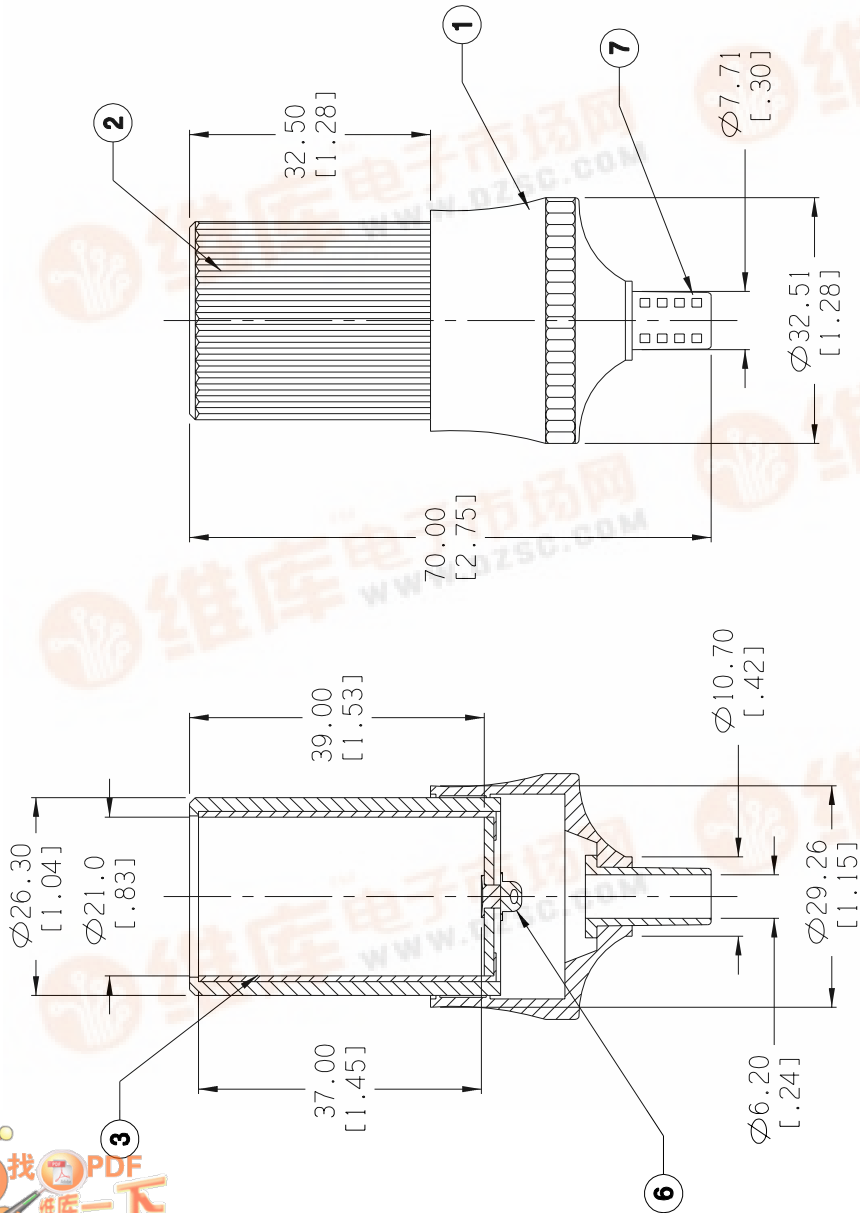


查询ZA2010供应商

捷多邦, 专业PCB打样工厂, 24小时加急出货

Date	SYM	REVISION RECORD	AUTH	DR	CK



Tolerance (Inches)	Memory Protection Devices, Inc. 200 Broad Hollow Road, Farmingdale, New York 11735	Scale	Drawn By	T.B.
		B.S.	B.S.	Approved By
Decimal	±.5 (.020)	Title		
Fractional	±.8 (.030)	PLASTIC CIGARETTE SOCKET		
Angular	± 3°	Date	Drawing Number	
		12/07/02	ZA2010	

M NO.	PART NAME	MATL. SPECIFICATION
1	CAP	ABS, UL94-HB, FILE NO. E56070(S)
2	BODY	ABS, UL94-HB, FILE NO. E56070(S)
3	(-) TERMINAL	BRASS
4	INSULATION	BAKELITE, UL FILE NO. E59481(S)
5	BASE	BRASS
6	(+) TERMINAL	BRASS
7	STRAIN RELIEF	PVC

