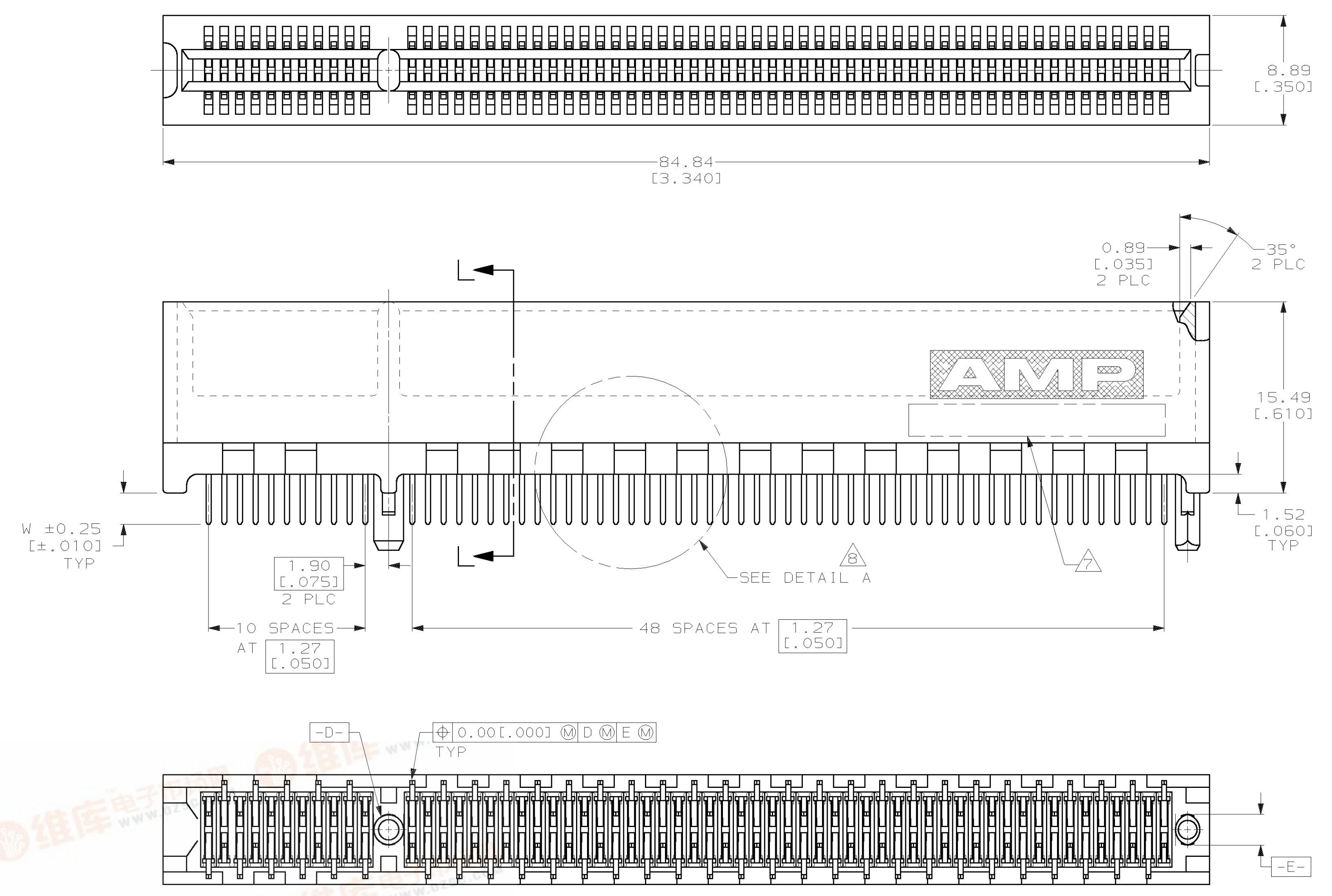
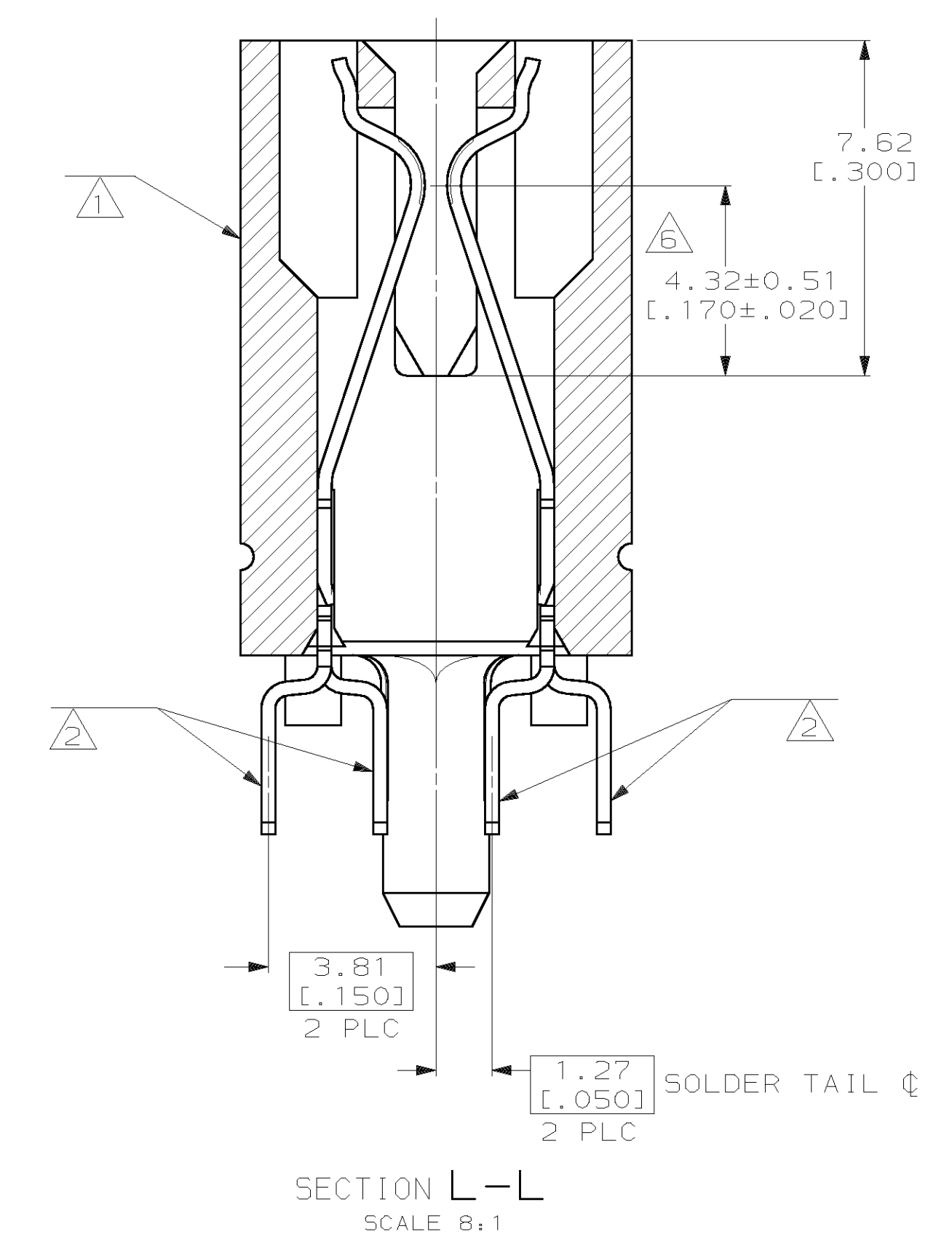
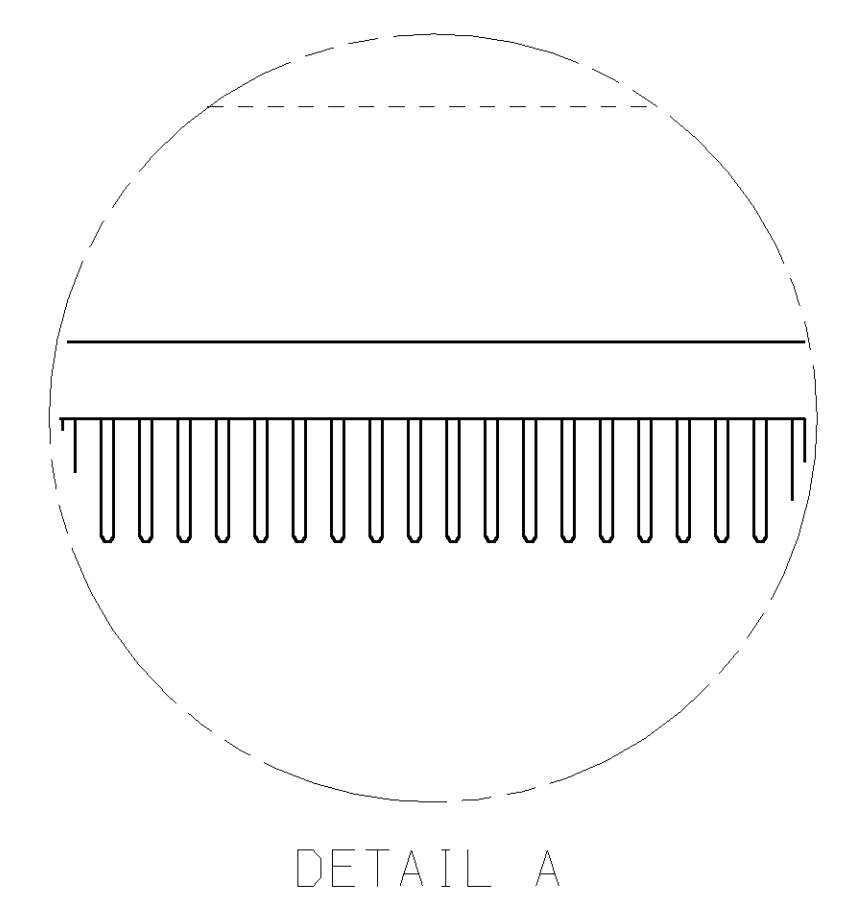


LOC	DIST	P	F	ZONE	LTR	REVISIONS	DATE	APPD
GP	00					DESCRIPTION		
						E REVISED PER EC 051B-0278-00	04SEP01	00 PD



- ① HOUSING: HIGH TEMPERATURE THERMOPLASTIC. COLOR - NATURAL
- ② CONTACT: PHOSPHOR BRONZE.
- ③ CONTACT FINISH: .001269[.000050] MIN NICKEL ALL OVER. GOLD FLASH OVER NICKEL IN CONTACT AREA. .002537[.000100] MIN TIN-LEAD OVER NICKEL ON SOLDER TAILS.
- ④ CONTACT FINISH: .001269[.000050] MIN NICKEL ALL OVER. .000375[.000015] MIN GOLD OVER NICKEL IN CONTACT AREA. .002537[.000100] MIN TIN-LEAD OVER NICKEL ON SOLDER TAILS.
- ⑤ CONTACT FINISH: .001269[.000050] MIN NICKEL ALL OVER. .000757[.000030] MIN GOLD OVER NICKEL IN CONTACT AREA. .002537[.000100] MIN TIN-LEAD OVER NICKEL ON SOLDER TAILS.
- ⑥ DISTANCE FROM CONTACT POINT TO BOTTOM OF CARD SLOT.
- ⑦ AMP PART NUMBER, DATE CODE AND CSA LOGO MARKED IN APPROXIMATE LOCATION SHOWN.
- ⑧ CORED OR SOLID SIDE WALLS ARE AT DISCRETION OF AMP INCORPORATED.

SEE SHEET 2 FOR HOLE PATTERN

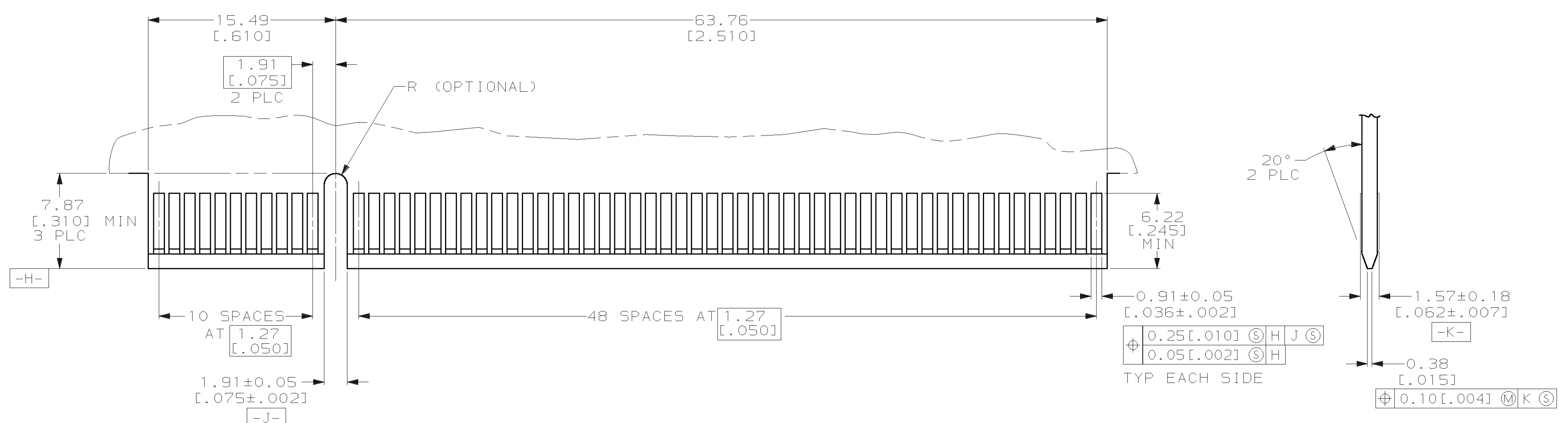


SUPERSEDED BY 145154-4

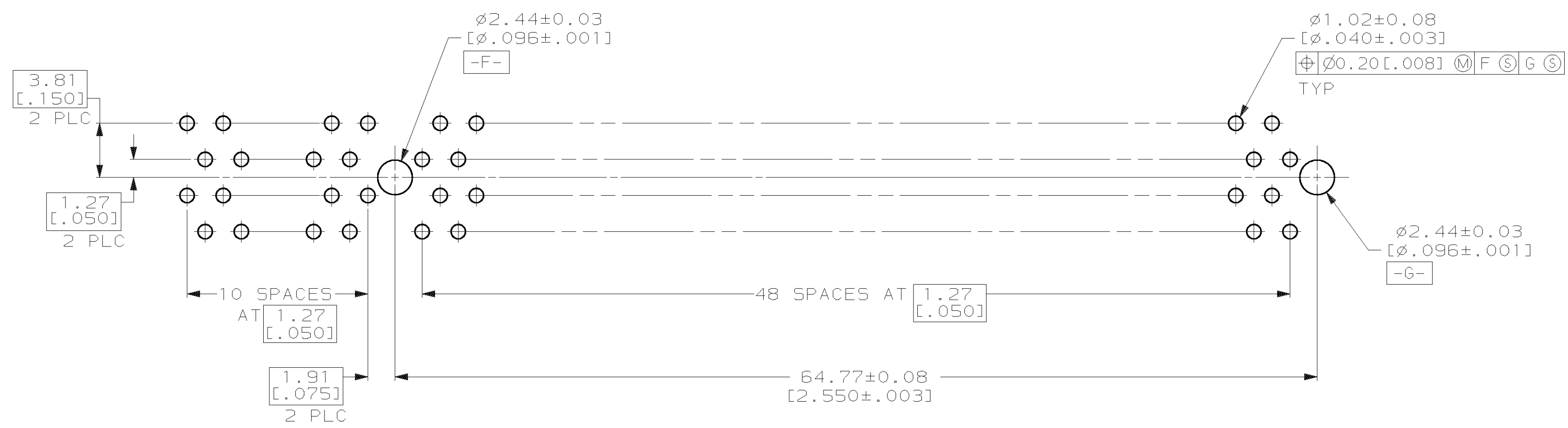
3.56 [.140]	①	1-145154-2
3.18 [.125]	②	145154-8
2.54 [.100]	③	145154-4
2.54 [.100]	④	145154-3
2.54 [.100]	⑤	145154-2
2.54 [.100]	⑥	145154-1
W	FINISH	PART NUMBER

DO NOT SCALE PRINT. UNLESS SPECIFIED DIMENSIONS IN mm [INCHES] TOLERANCES ON: 2 PLC DEC ± 0.25 [.01] 3 PLC DEC ± 0.127 [.005] ANGLES ± 2°		DR 6/9/95 R BROWN		AMP AMP Incorporated Harrisburg, PA 17105-3608	
MATERIAL		CHK 6/9/95 M BOWERS			
FINISH		APPD 6/9/95 M BOWERS		NAME	
③ ④ ⑤		APPD 6/9/95 D SARVER		CONNECTOR ASSEMBLY, 60 DUAL POSITION, 1.27 [.050] SERIES, STANDARD EDGE	
SCALE 4:1		PRODUCT SPEC 108-14034		SIZE	
CAGE CODE 114-26012		APPLICATION SPEC		D 00779	
DRAWING NO 145154		WEIGHT		DRAWING NO 145154	
SHEET 1 OF 2					

LOC		DIST		P		F		ZONE		LTR		REVISIONS	
GP		00										DESCRIPTION	
												DATE	
												APPD	
												SEE SHEET 1	



RECOMMENDED MATING BOARD EDGE CONFIGURATION



RECOMMENDED CONNECTOR MOUNTING HOLE PATTERN
(CONNECTOR SIDE SHOWN)

DO NOT SCALE PRINT. UNLESS SPECIFIED DIMENSIONS IN mm [INCHES] TOLERANCES ON : 2 PLC DEC ±0.25 [.01] 3 PLC DEC ±0.127 [.005] ANGLES ± 2°		DR 6/9/95 R BROWN	AMP Incorporated Harrisburg, PA 17105-3608		
SEE SHEET 1		CHK 6/9/95 M BOWERS			
MATERIAL		APPD 6/9/95 M BOWERS	NAME CONNECTOR ASSEMBLY, 60 DUAL POSITION, 1.27 [.050] SERIES, STANDARD EDGE		
SEE SHEET 1		APPD 6/9/95 D SARVER			
FINISH		PRODUCT SPEC 108-14034	SIZE D	CAGE CODE 00779	DRAWING NO 145154
SEE SHEET 1		APPLICATION SPEC 114-26012	SCALE 4:1	SHEET 2 OF 2	
WEIGHT					